



US00D627201S

(12) **United States Design Patent**  
**Castro**

(10) **Patent No.:** **US D627,201 S**  
(45) **Date of Patent:** **\*\* Nov. 16, 2010**

(54) **LEVER**

(75) Inventor: **Jeffrey B. Castro**, Portland, OR (US)

(73) Assignee: **Leatherman Tool Group, Inc.**,  
Portland, OR (US)

(\*\*) Term: **14 Years**

(21) Appl. No.: **29/335,353**

(22) Filed: **Apr. 14, 2009**

(51) **LOC (9) Cl.** ..... **08-05**

(52) **U.S. Cl.** ..... **D8/55; D8/105**

(58) **Field of Classification Search** ..... D8/1,  
D8/4, 5, 14, 20, 51–56, 58, 105–107; 7/128,  
7/168, 158, 165, 125, 138; 81/177.4, 440,  
81/427.5, 300, 418–424, 424.5, 426, 426.5,  
81/427; 30/158–161, 236, 262  
See application file for complete search history.

(56) **References Cited**

**U.S. PATENT DOCUMENTS**

D317,482 S *	6/1991	Michaelsen et al.	.....	D8/88
D413,054 S *	8/1999	Anderson	.....	D8/40
D427,501 S *	7/2000	Berg et al.	.....	D8/105
6,088,860 A *	7/2000	Poehlmann et al.	.....	7/128
6,088,861 A *	7/2000	Sessions et al.	.....	7/128
6,145,144 A *	11/2000	Poehlmann et al.	.....	7/128
6,691,357 B2	2/2004	Rivera		
D488,700 S *	4/2004	Montague	.....	D8/331
D496,847 S	10/2004	Rivera et al.		
D497,093 S	10/2004	Rivera et al.		
D497,096 S	10/2004	Rivera et al.		
D497,532 S	10/2004	Rivera et al.		
D497,790 S	11/2004	Rivera et al.		
D497,791 S	11/2004	Rivera et al.		
D499,622 S	12/2004	Rivera et al.		
D501,127 S	1/2005	Rivera et al.		
7,039,974 B2	5/2006	Berg		
D529,781 S	10/2006	Yale		
D538,130 S	3/2007	Yale		
7,185,569 B2	3/2007	Knight et al.		
7,347,128 B2	3/2008	Rivera et al.		

7,363,669 B2	4/2008	Berg et al.		
D576,010 S	9/2008	Tsuda		
2002/0124322 A1 *	9/2002	Montague	.....	7/128
2005/0268468 A1	12/2005	Klecker et al.		
2007/0131069 A1	6/2007	Rivera et al.		
2007/0199156 A1	8/2007	Yale et al.		
2007/0204409 A1	9/2007	Yale et al.		
2007/0294833 A1	12/2007	Rivera et al.		
2008/0216326 A1	9/2008	Klecker et al.		

**OTHER PUBLICATIONS**

Leatherman Super Tool®, Inovative Heavy-Duty Capabilities for the Pro—1 pg. <http://www.leatherman.com/multi-tools/retired-products/super-tool.aspx> website visited Mar 23, 2009.

(Continued)

*Primary Examiner*—Cathron C Brooks  
*Assistant Examiner*—Deanna Fluegeman  
(74) *Attorney, Agent, or Firm*—Alston & Bird LLP

(57) **CLAIM**

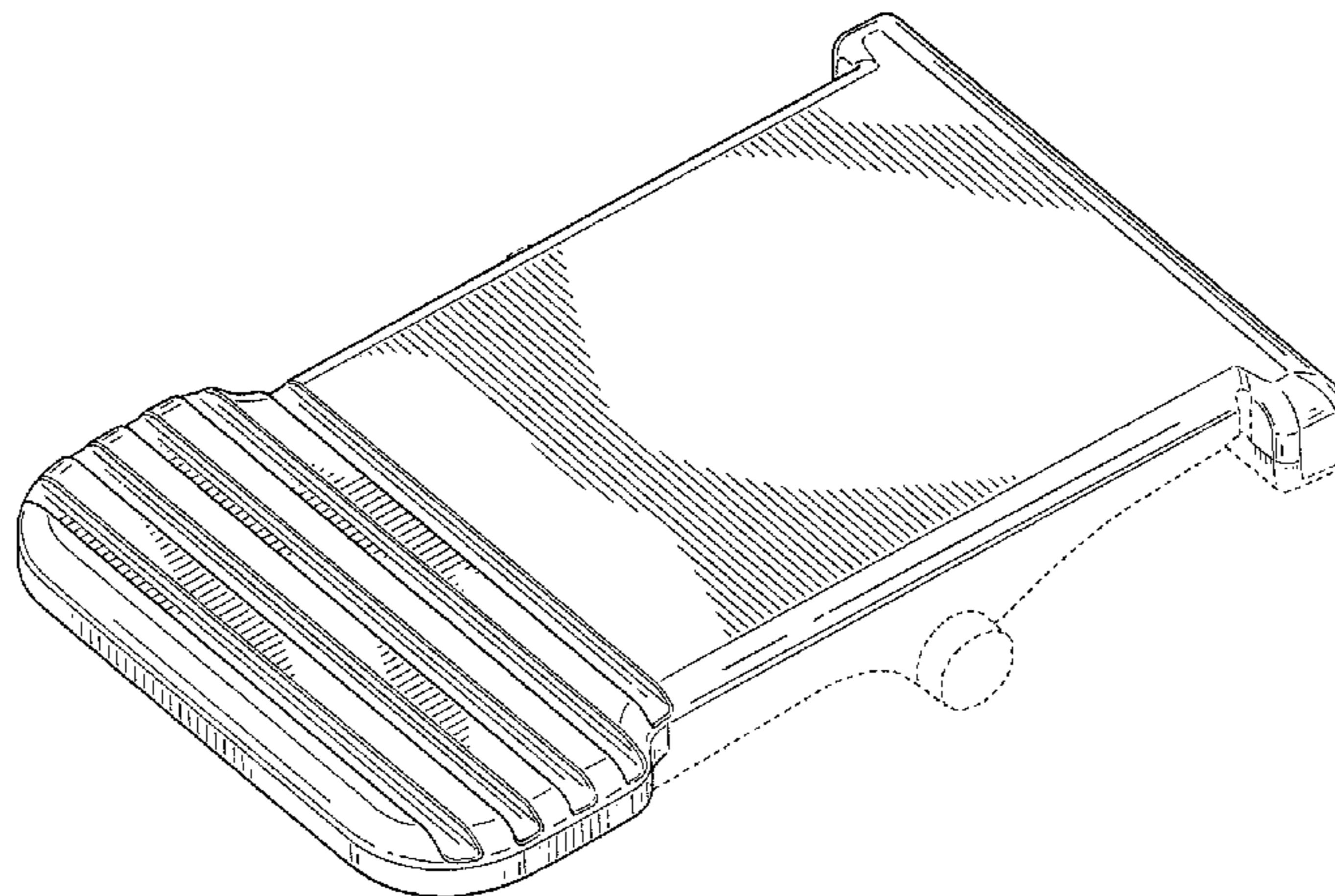
The ornamental design for a lever, as shown and described.

**DESCRIPTION**

FIG. 1 is a perspective view of a lever according to my new design;  
FIG. 2 is a top plan view thereof;  
FIG. 3 is a bottom plan view thereof;  
FIG. 4 is a left side elevation view thereof;  
FIG. 5 is a right side elevation view thereof;  
FIG. 6 is a front elevation view thereof; and,  
FIG. 7 is a rear elevation view thereof.

The broken lines immediately adjacent to the shaded areas illustrate the bounds of the claimed design and form no part thereof. The remaining broken lines illustrate unclaimed environment and form no part of the claimed design.

**1 Claim, 5 Drawing Sheets**



OTHER PUBLICATIONS

Leatherman Super Tool® 200, Comfortable Handles and a Sliding Locking Mechanism—1 pg. <http://www.leatherman.com/multi-tools/retired-products/super-tool-200.aspx> website visited Mar. 23, 2009.

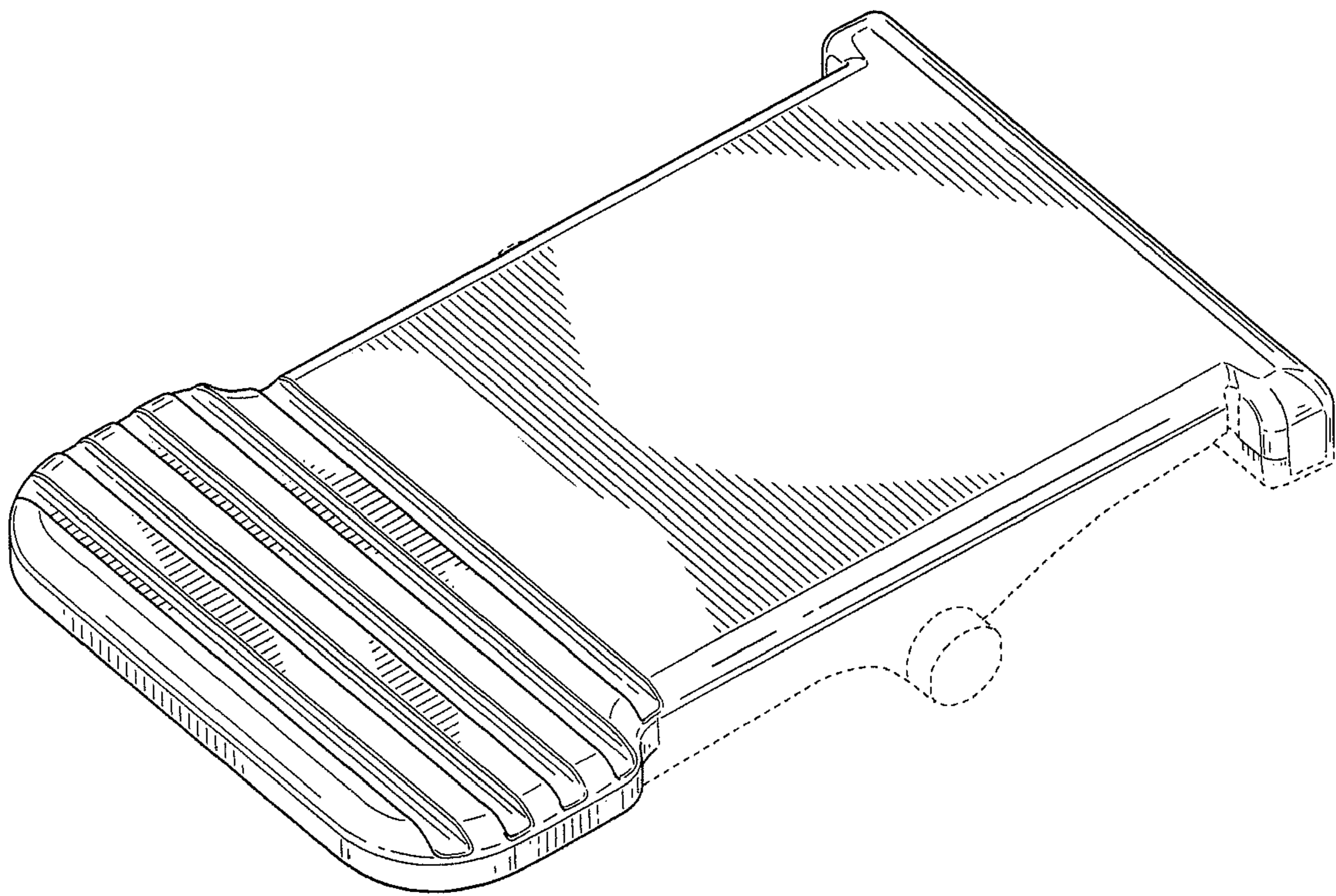
Leatherman Super Tool® 200, Comfortable Handles and a Sliding Locking Mechanism (different view)—1 pg. <http://www.leatherman.com/multi-tools/retired-products/super-tool-200.aspx> website visited Mar. 23, 2009.

Leatherman Blast®, Tough On the Job, Not the Hands—1 pg. <http://www.leatherman.com/multi-tools/full-size-tools/blast.aspx> website visited Apr. 16, 2009.

Leatherman Surge®, The Powerhouse Multi-Tool—1 pg. <http://www.leatherman.com/multi-tools/full-size-tools/surge.aspx> website visited Apr. 16, 2009.

Leatherman Core®, Strongman of the Tool Belt—1 pg. <http://www.leatherman.com/multi-tools/full-size-tools/core.aspx> website visited Apr. 16, 2009.

\* cited by examiner



**FIG. 1**

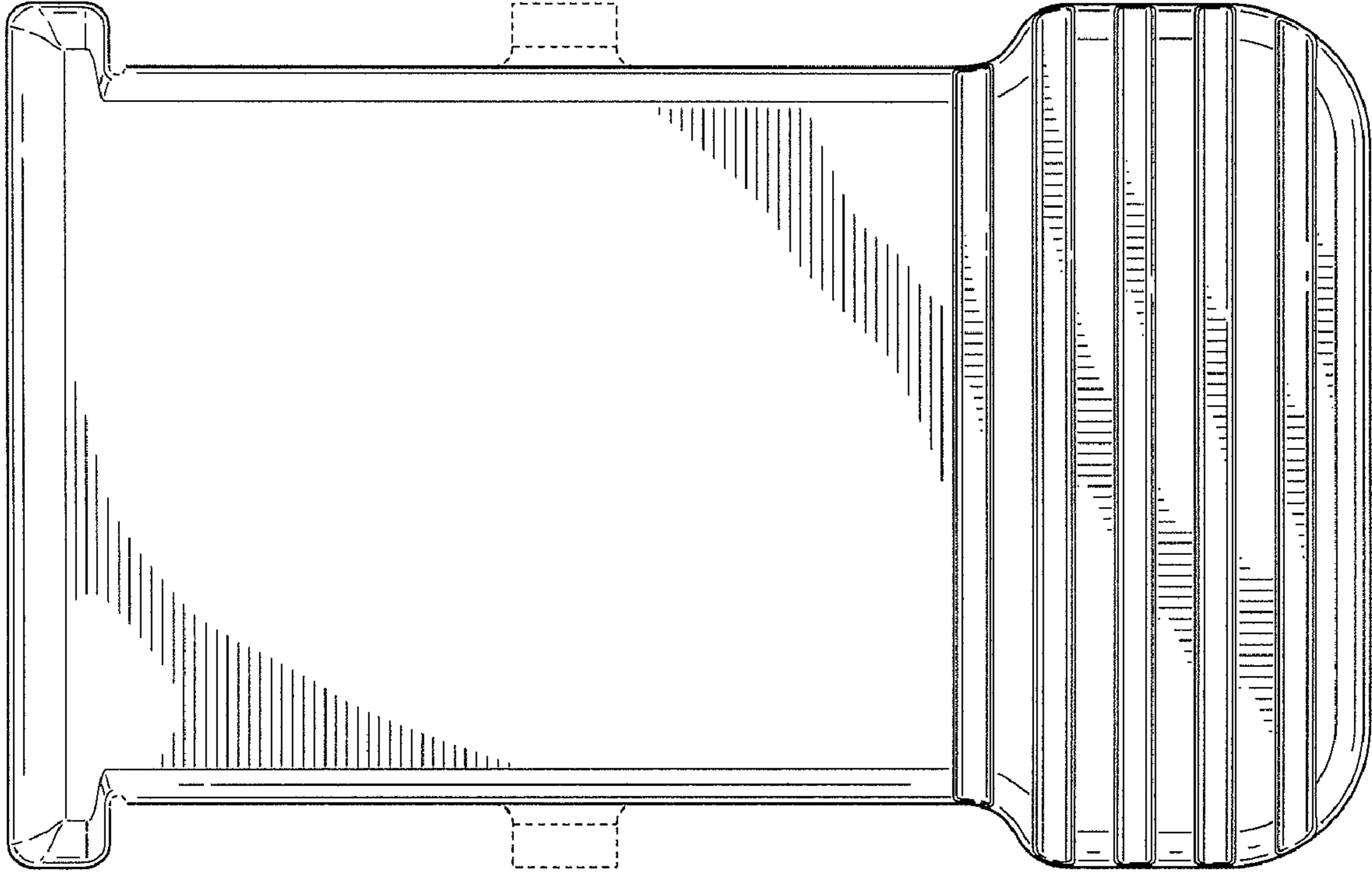
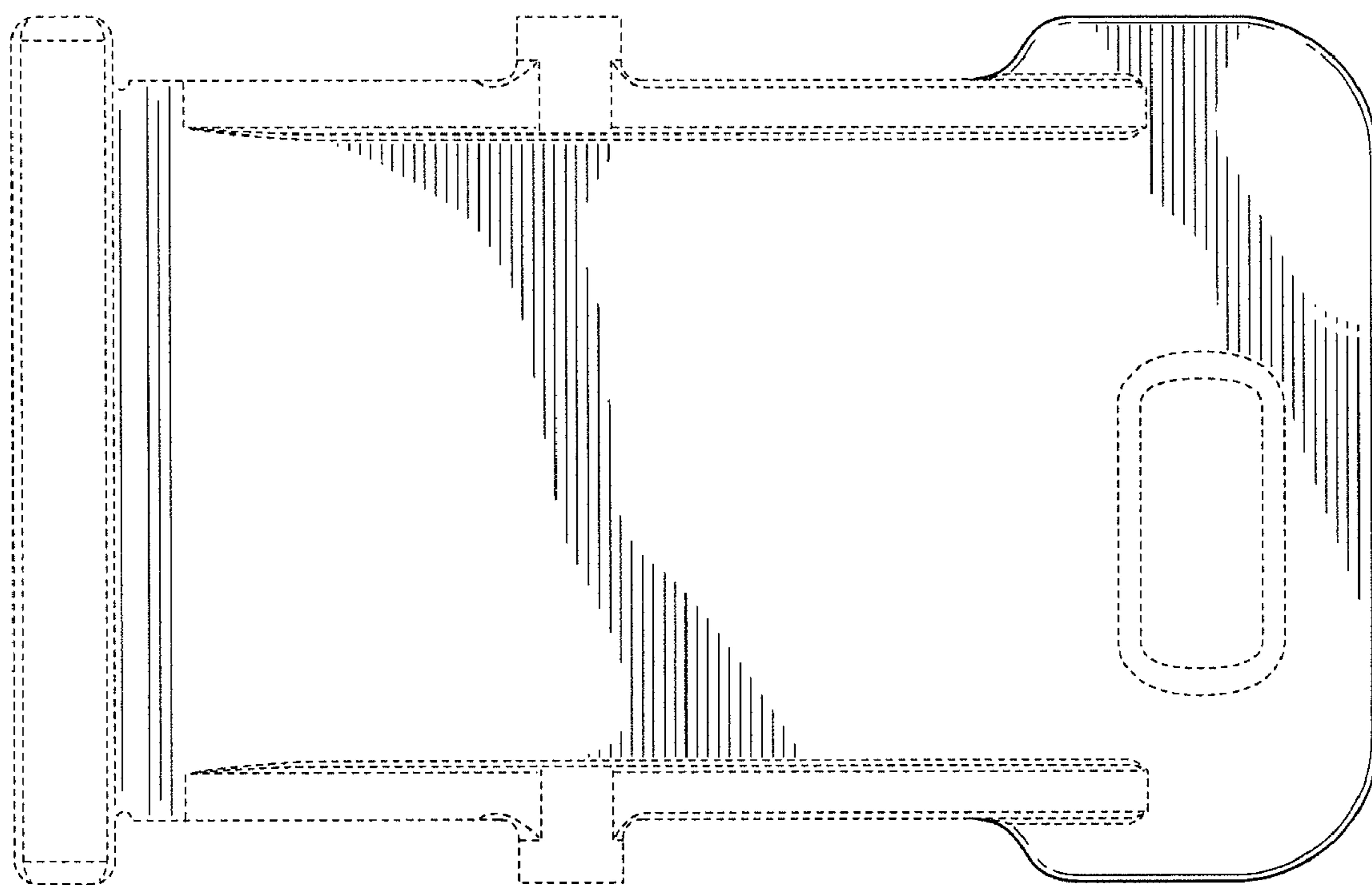


FIG. 2



**FIG. 3**

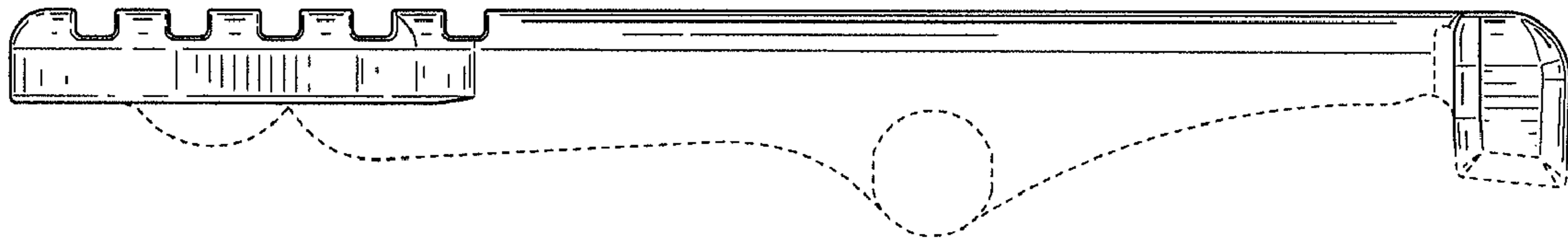


FIG. 4

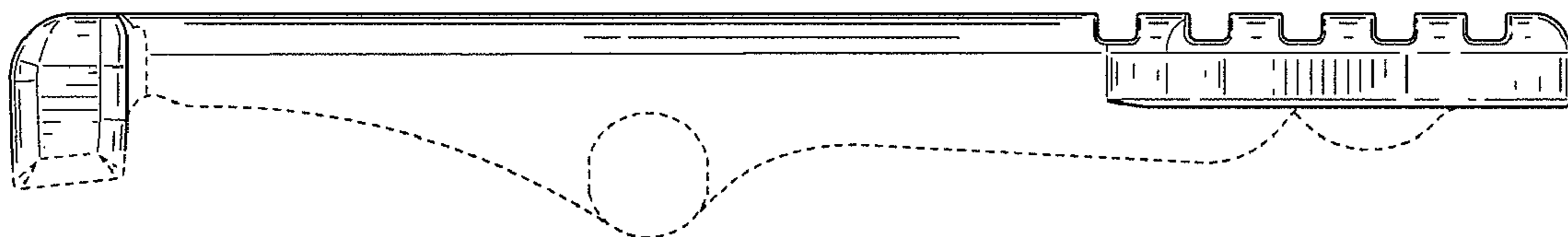
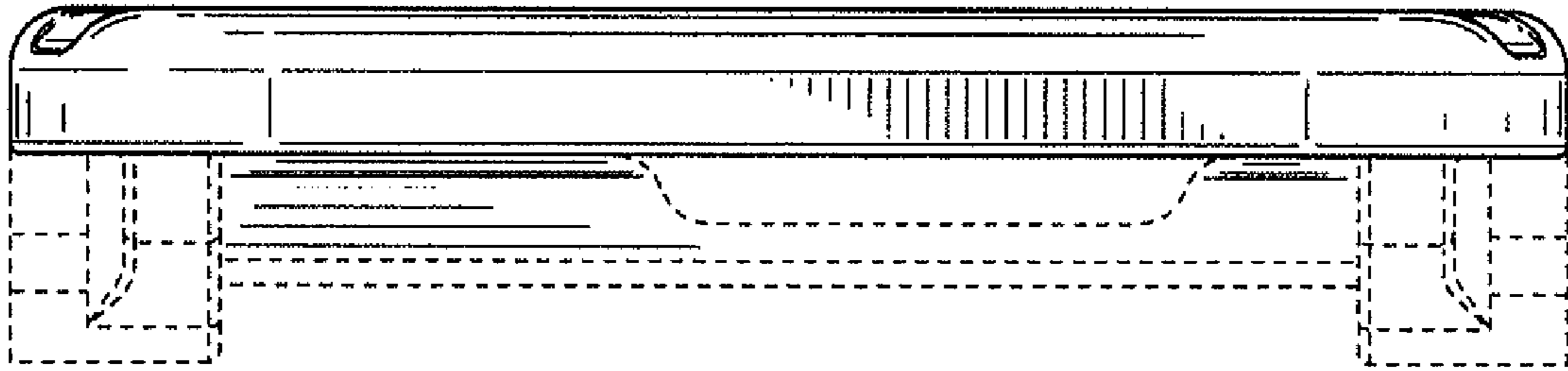
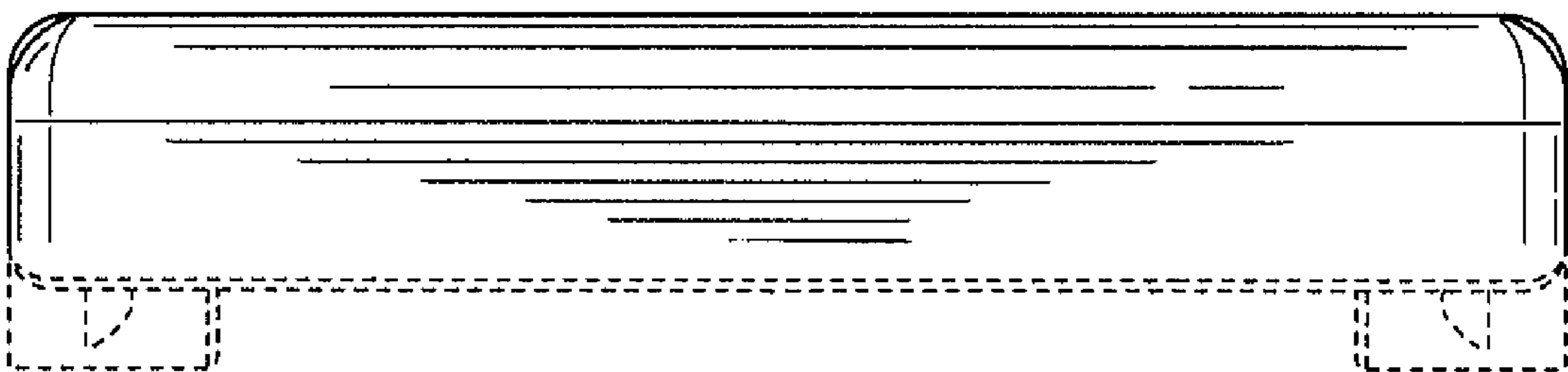


FIG. 5



**FIG. 6**



**FIG. 7**