



US00D627200S

(12) **United States Design Patent**
Rothman

(10) **Patent No.:** **US D627,200 S**

(45) **Date of Patent:** **** Nov. 16, 2010**

(54) **BARBECUE SPATULA**

(75) Inventor: **Jacob Rothman**, Shanghai (CN)

(73) Assignee: **National Broom Co. of California**, San Leandro, CA (US)

(**) Term: **14 Years**

(21) Appl. No.: **29/357,411**

(22) Filed: **Mar. 11, 2010**

(51) **LOC (9) Cl.** **07-04**

(52) **U.S. Cl.** **D7/692; D7/688**

(58) **Field of Classification Search** D7/680-696,
D7/395, 393; D32/40, 46; 294/1.1, 7, 8;
30/324-328

See application file for complete search history.

(56) **References Cited**

U.S. PATENT DOCUMENTS

3,906,632 A * 9/1975 Oppenheimer 30/322

D443,186 S * 6/2001 Kaposi D7/692
D493,679 S * 8/2004 Metzger-Boehringer D7/692
D545,151 S * 6/2007 Lion et al. D7/691

* cited by examiner

Primary Examiner—Terry A Wallace

(74) *Attorney, Agent, or Firm*—Michael J. Hughes

(57) **CLAIM**

The ornamental design for a barbecue spatula, as shown.

DESCRIPTION

FIG. 1 is a front top right perspective view of the barbecue spatula;

FIG. 2 is a bottom plan view thereof;

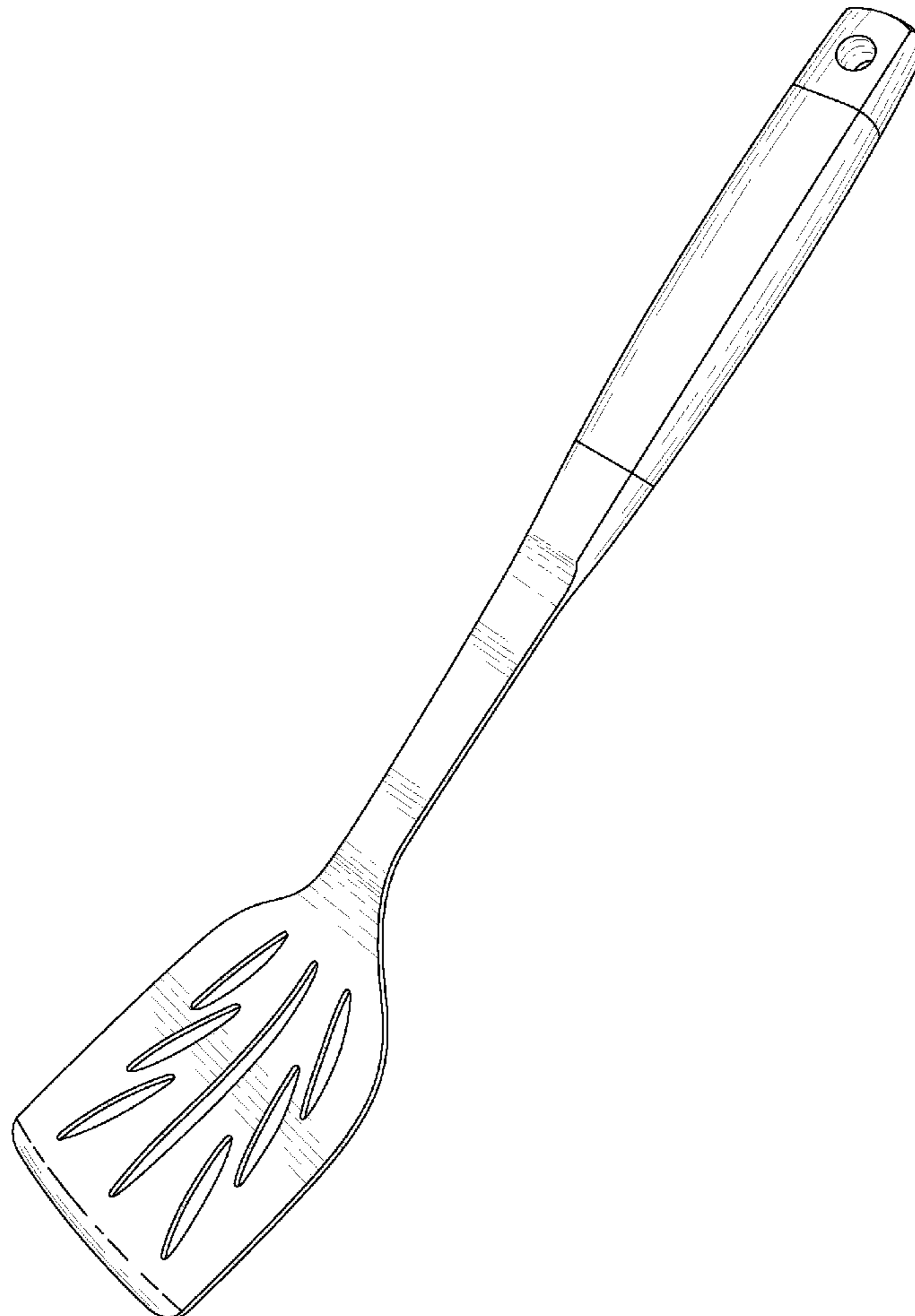
FIG. 3 is a top plan view thereof;

FIG. 4 is a left side elevational view thereof;

FIG. 5 is a front view thereof; and,

FIG. 6 is rear view thereof.

1 Claim, 3 Drawing Sheets



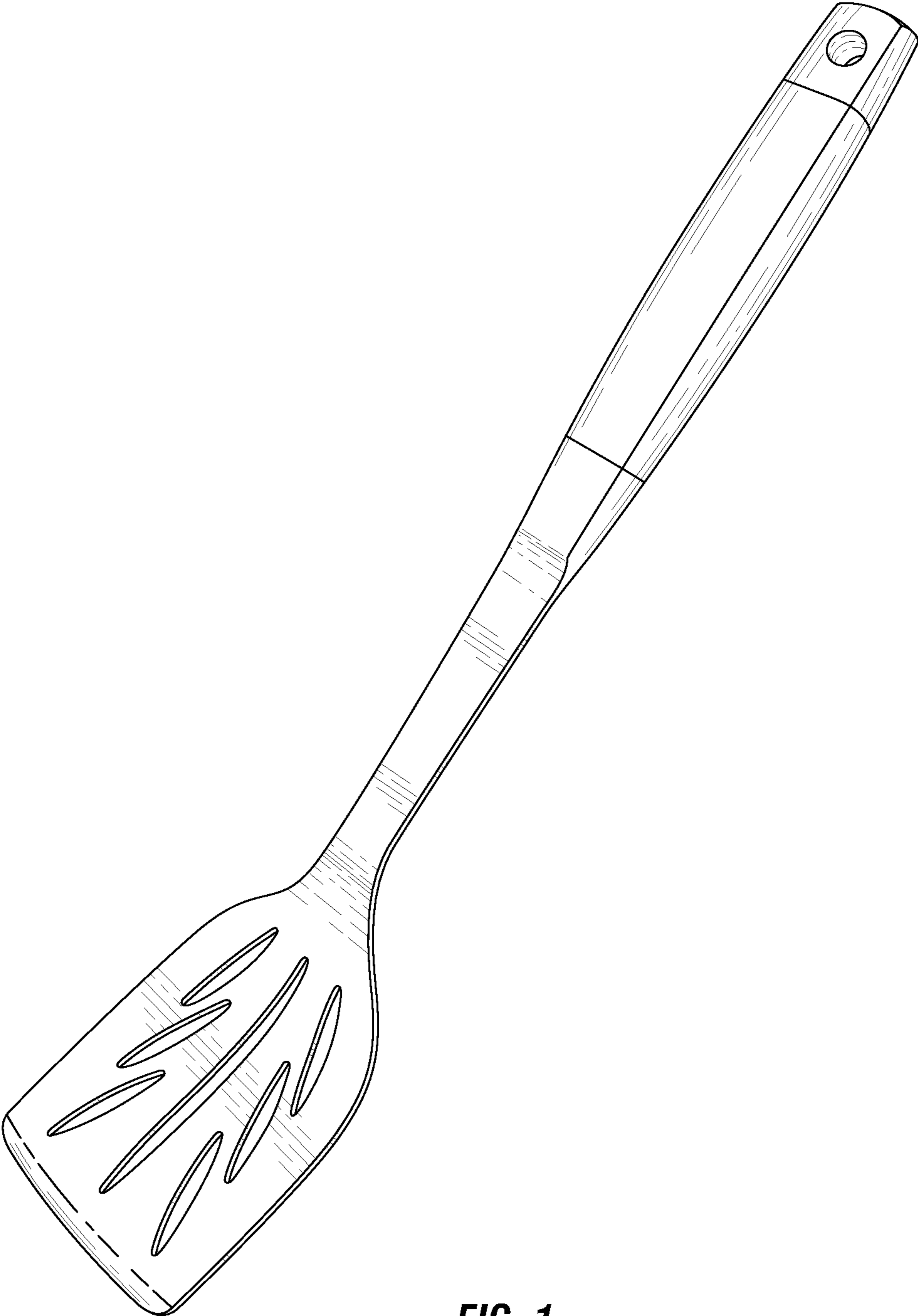


FIG. 1

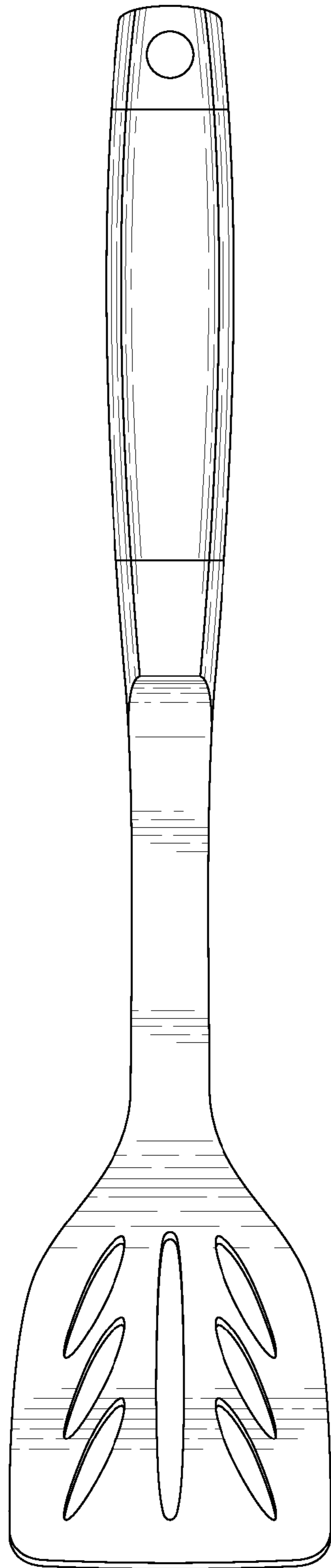


FIG. 2

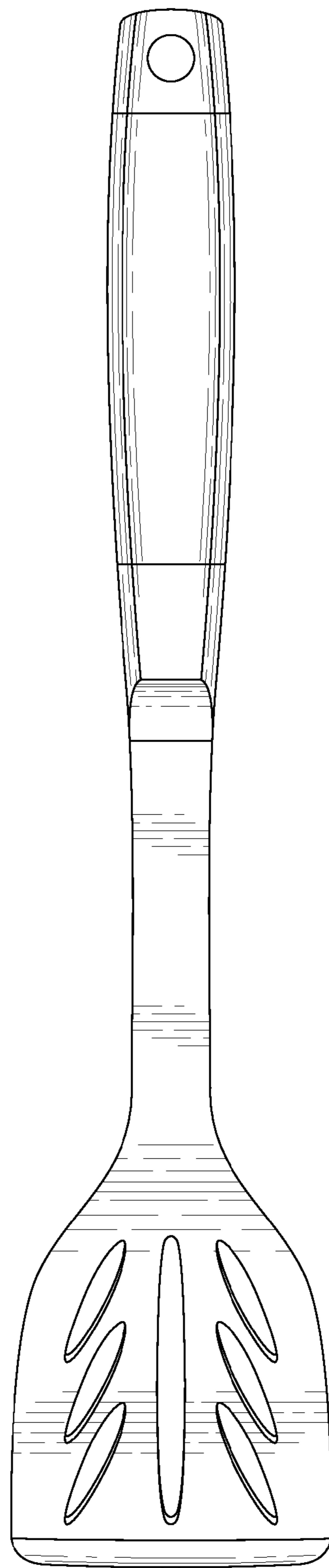


FIG. 3

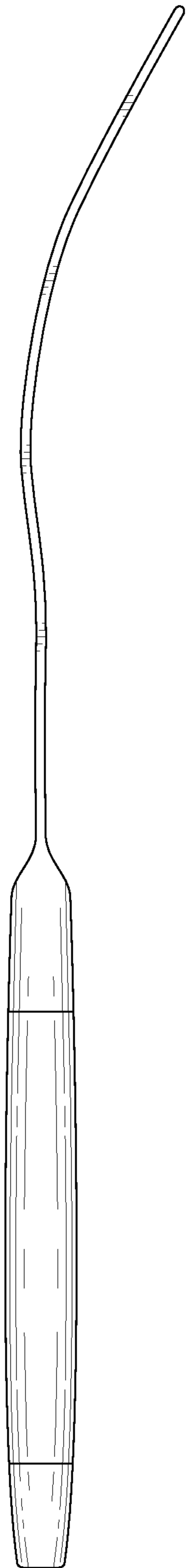


FIG. 4

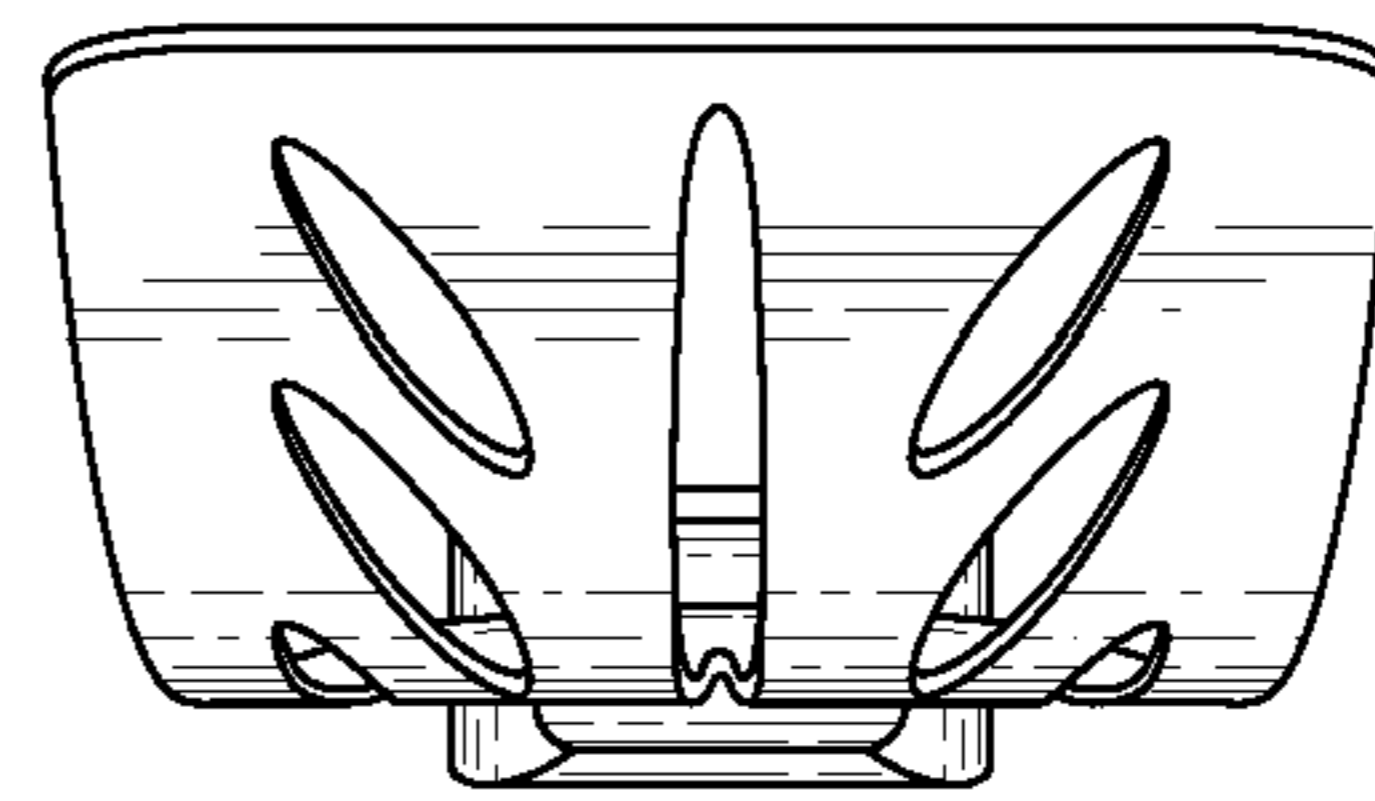


FIG. 5

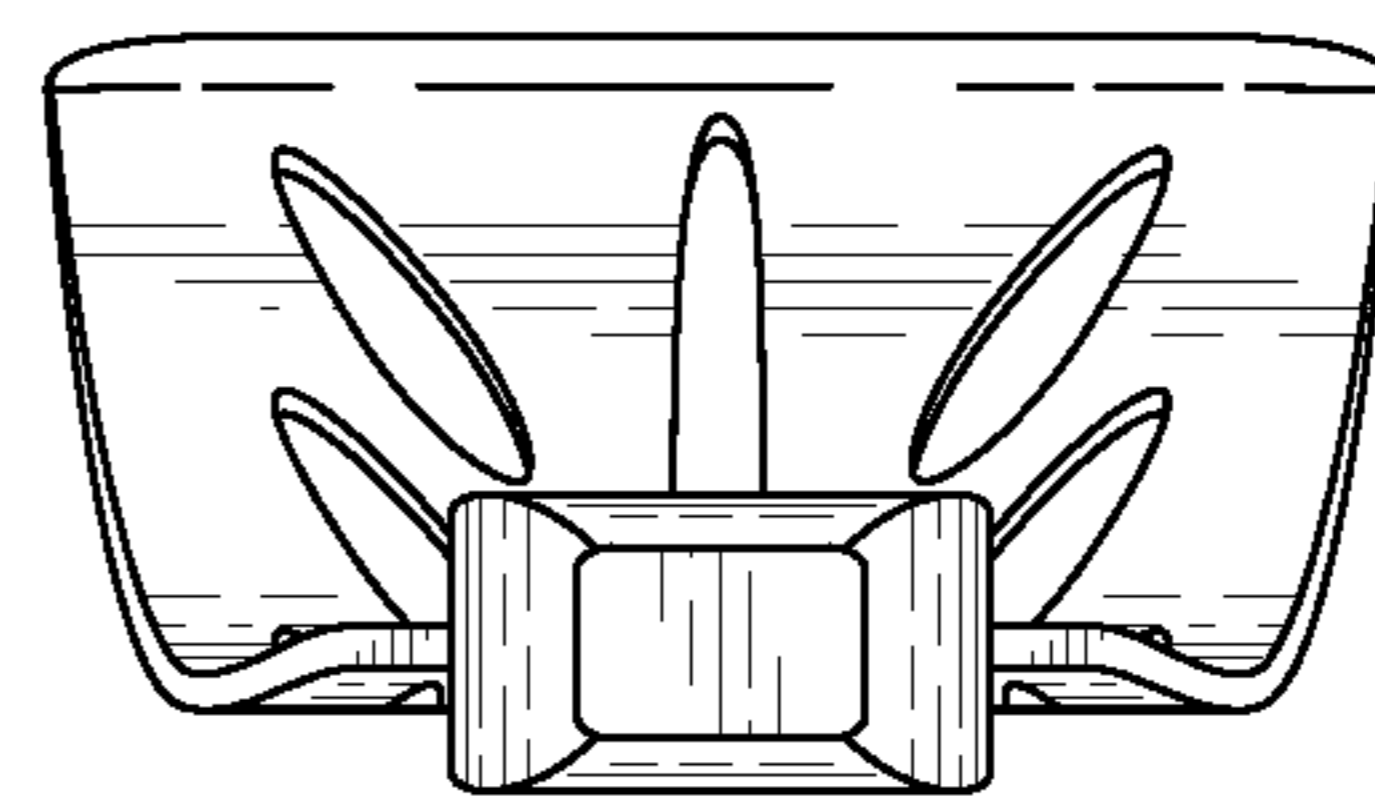


FIG. 6