



US00D627199S

(12) **United States Design Patent**
Pruchnicki

(10) **Patent No.:** **US D627,199 S**

(45) **Date of Patent:** **** Nov. 16, 2010**

(54) **INSULATED BAG WITH LIFTING APPARATUS**

2004/0136621 A1* 7/2004 Mogil 383/110

* cited by examiner

(75) Inventor: **Renia Pruchnicki**, Toronto (CA)

Primary Examiner—Terry A Wallace

(73) Assignee: **California Innovations Inc.** (CA)

(74) *Attorney, Agent, or Firm*—Ostrolenk Faber LLP

(**) Term: **14 Years**

(57) **CLAIM**

(21) Appl. No.: **29/344,825**

The ornamental design for an insulated bag with lifting apparatus, as shown and described.

(22) Filed: **Oct. 5, 2009**

DESCRIPTION

Related U.S. Application Data

FIG. 1 is a perspective view of an insulated bag with lifting apparatus according to an embodiment of my new design, with handles thereof loosely in a first position.

(62) Division of application No. 11/440,776, filed on May 25, 2006, now Pat. No. 7,597,478.

FIG. 2 is a perspective view of the insulated bag with lifting apparatus of FIG. 1 in a standing position, with a handle thereof in a second position;

(51) **LOC (9) Cl.** **07-01**

(52) **U.S. Cl.** **D7/607**

(58) **Field of Classification Search** D7/607, D7/709, 710; D3/273, 274, 276, 289, 299, D3/301; 383/40, 99, 110, 66, 81, 6, 2, 4, 383/16, 106, 119, 121.1; 206/545; 190/107; 224/578, 579

FIG. 3 shows a first side view of the insulated bag of FIG. 1; FIG. 4 shows an opposite side view of the insulated bag of FIG. 1;

See application file for complete search history.

FIG. 5 shows a predominantly horizontal lifting position of the insulated bag of FIG. 1; and,

(56) **References Cited**

U.S. PATENT DOCUMENTS

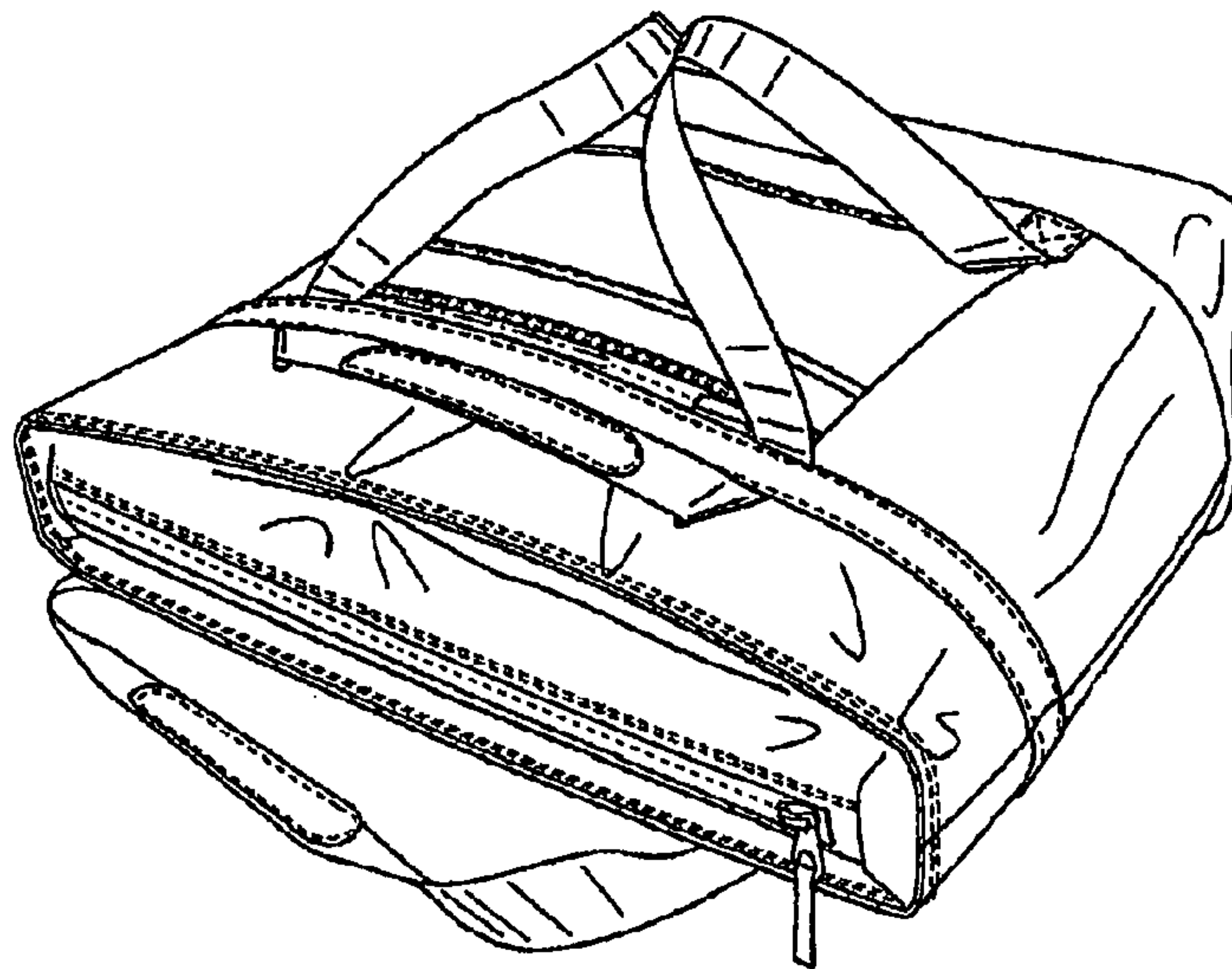
3,428,103	A *	2/1969	Walsh	383/97
4,578,814	A *	3/1986	Skamser	383/99
5,892,202	A *	4/1999	Baldwin et al.	219/387
6,298,993	B1 *	10/2001	Kalozdi	383/40
6,345,912	B1 *	2/2002	Ho	383/20
6,357,497	B1 *	3/2002	Frase	383/40
6,390,345	B1 *	5/2002	Brown et al.	190/110

FIG. 6 is a predominantly up and down position of the bag of FIG. 1.

The Applicant disclaims all parts of the article not shown in the drawings as forming no part of the claimed design. The broken lines in the drawings form no part of the design to be patented in respect of the embodiment shown in the drawing Figure in which the broken lines appear.

The small dashed lines are representative of stitching.

1 Claim, 3 Drawing Sheets



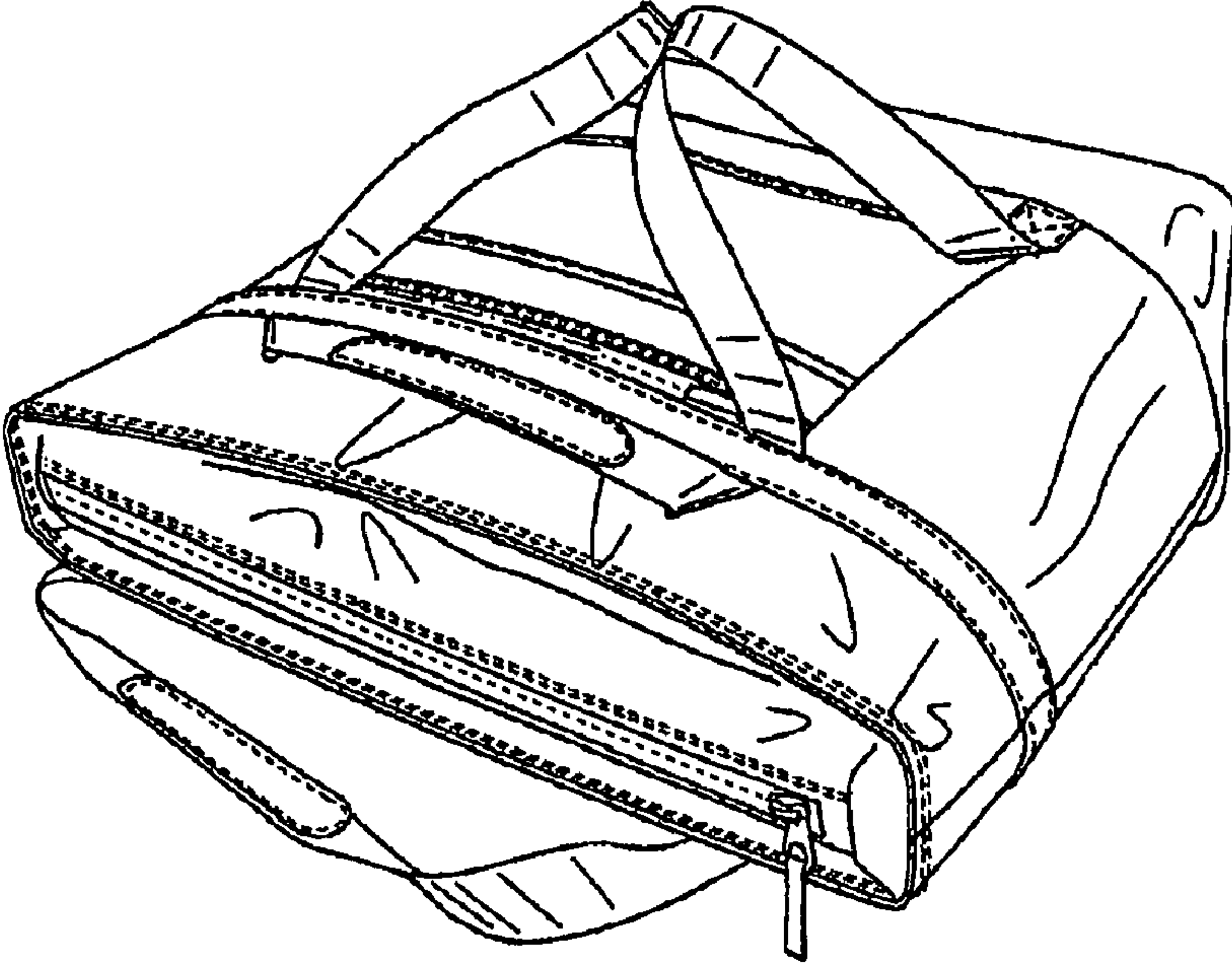


FIG. 1

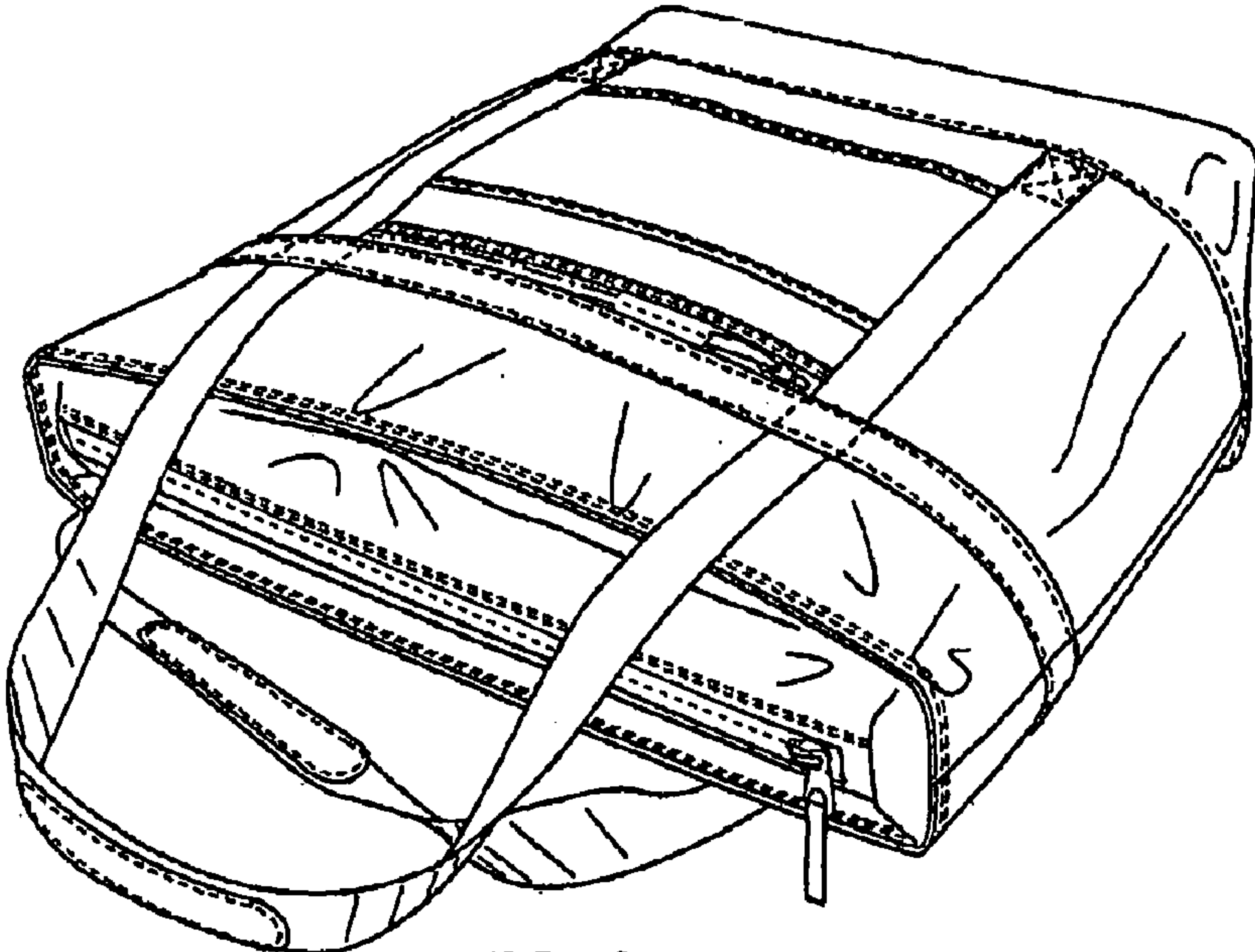


FIG. 2

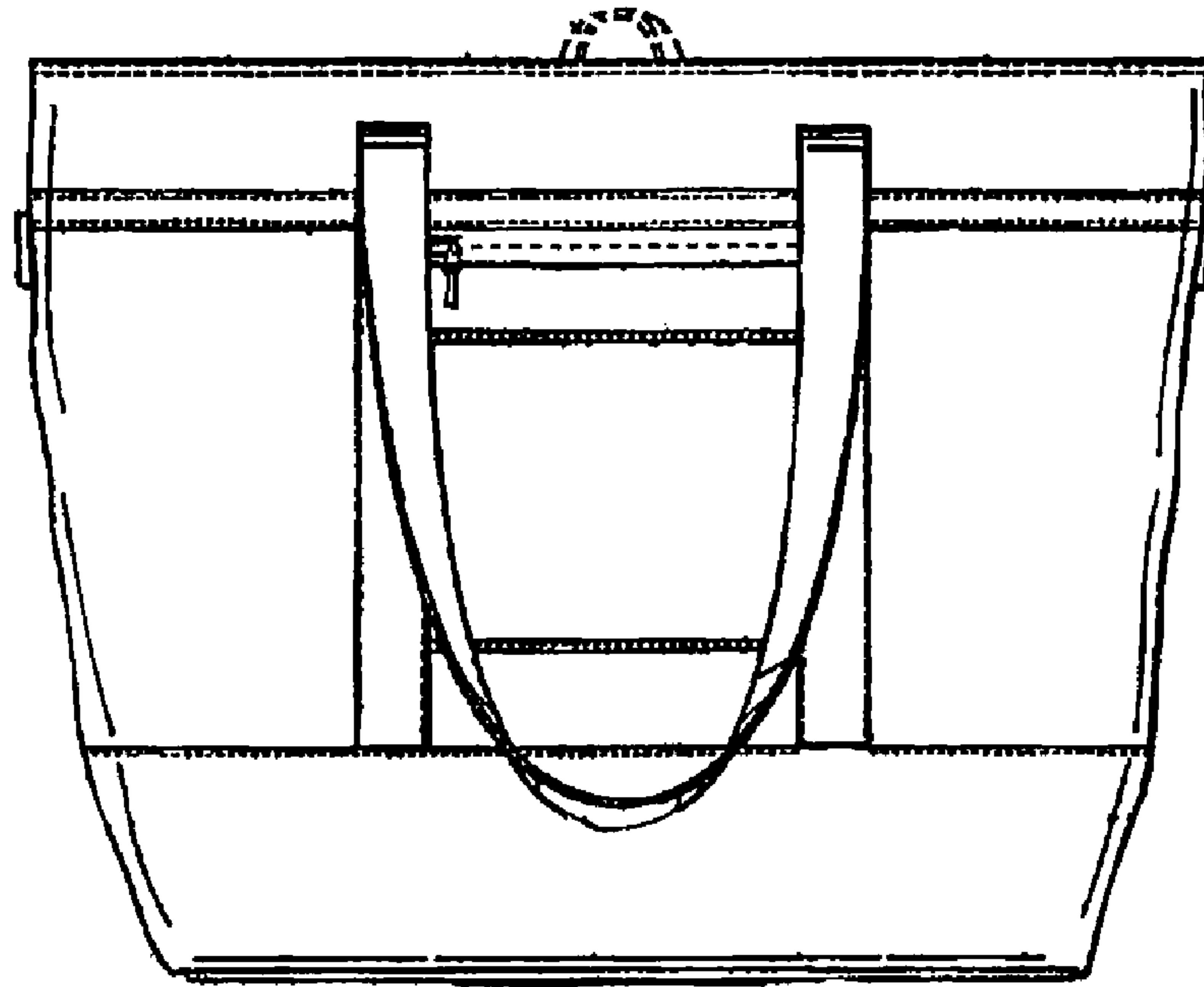


FIG. 3

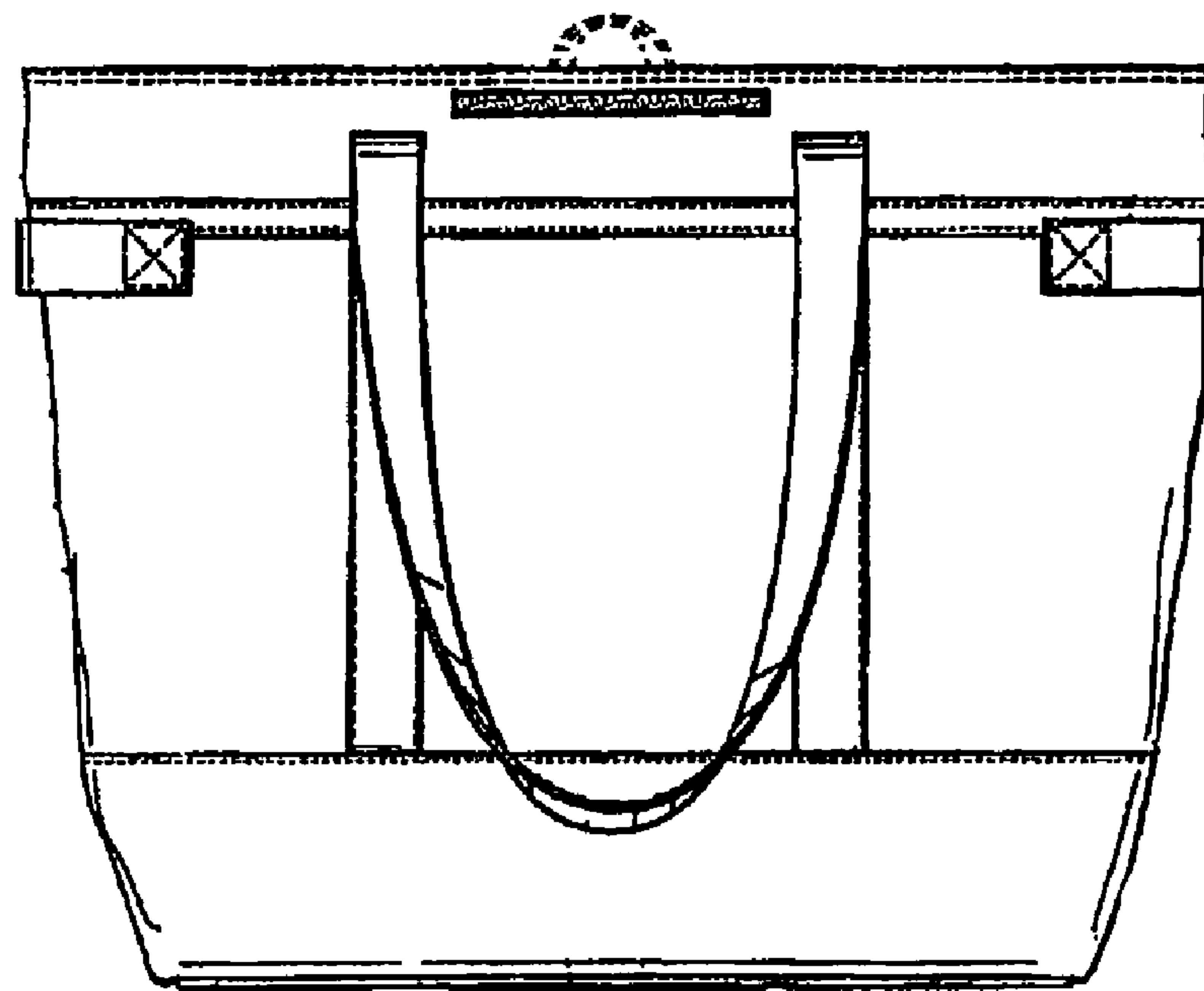


FIG. 4

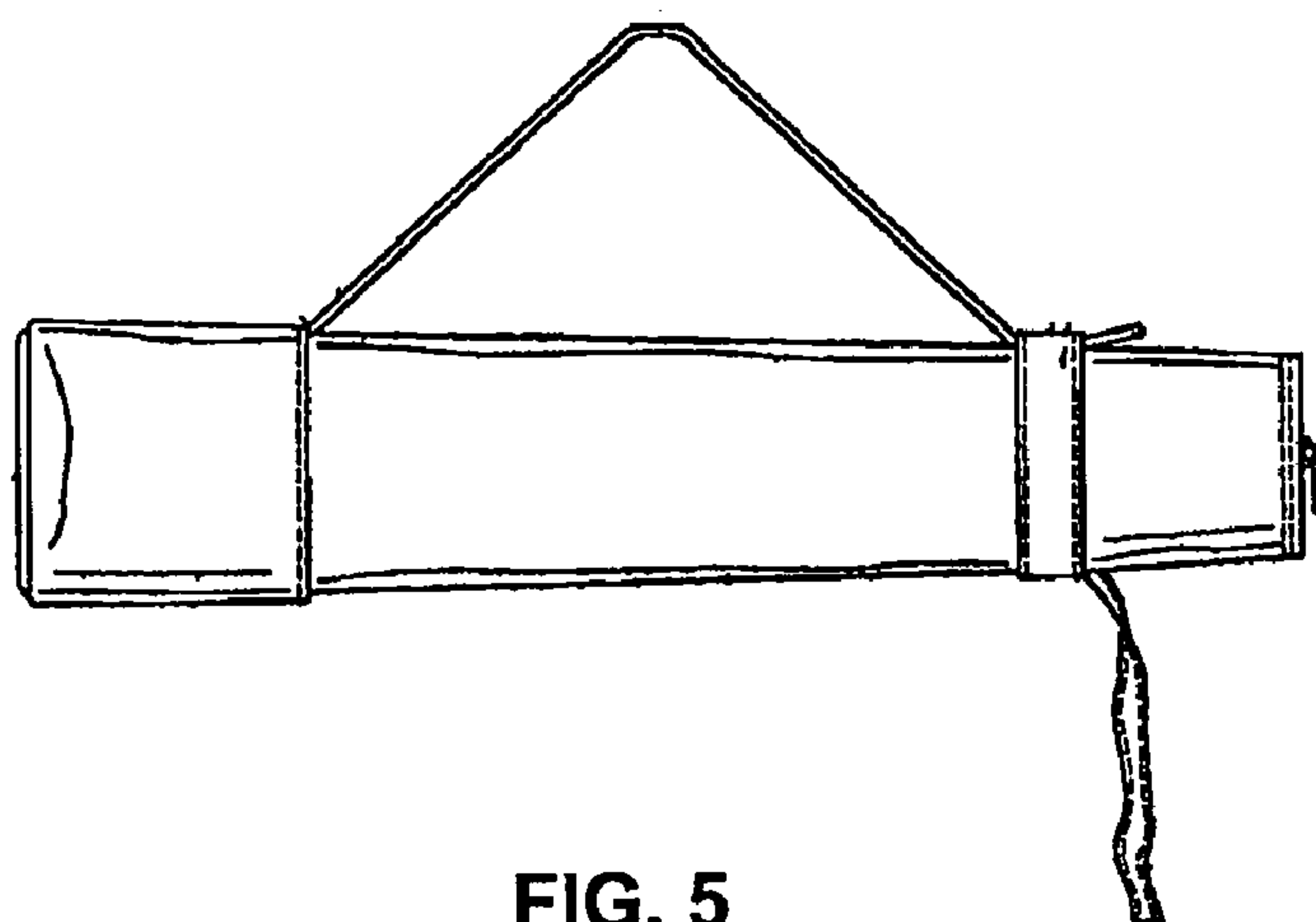


FIG. 5

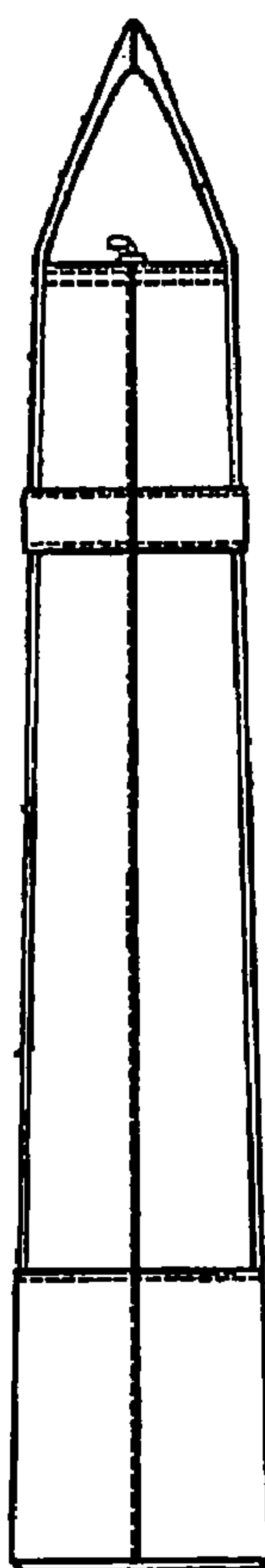


FIG. 6