



US00D627189S

(12) **United States Design Patent**
Deman

(10) **Patent No.:** **US D627,189 S**
(45) **Date of Patent:** **** Nov. 16, 2010**

(54) **GRILL**

(75) Inventor: **Pierre Deman**, Lyons (FR)

(73) Assignee: **Tefal**, Rumilly (FR)

(**) Term: **14 Years**

(21) Appl. No.: **29/367,173**

(22) Filed: **Aug. 4, 2010**

(30) **Foreign Application Priority Data**

Feb. 8, 2010 (FR) 10 0662

(51) **LOC (9) Cl.** **07-02**

(52) **U.S. Cl.** **D7/362**

(58) **Field of Classification Search** D7/309,
D7/323, 328-332, 334-341, 347-348, 350.1,
D7/350.4, 351-363; 99/324-327, 331, 339-341,
99/349, 353, 369, 372-377, 385-393, 425,
99/444; 126/25 B, 25 R, 30, 41 R; 219/524-525,
219/620-622, 732-734

See application file for complete search history.

(56) **References Cited**

U.S. PATENT DOCUMENTS

D115,822 S * 7/1939 Morgan D7/337
D178,247 S * 7/1956 Knapp D7/363
3,802,413 A * 4/1974 Pepin 126/25 B
3,842,726 A * 10/1974 Fautz 99/425

D234,286 S * 2/1975 MaKenny D7/337
D243,144 S * 1/1977 Jenn et al. D7/337
D276,303 S * 11/1984 Chan D7/337
4,548,192 A * 10/1985 Hsu 126/25 R
D290,923 S * 7/1987 Erickson D7/337
D417,120 S * 11/1999 Dutro et al. D7/332
D518,991 S * 4/2006 Babkes D7/348
D582,716 S * 12/2008 Averty D7/337
D614,436 S * 4/2010 Chung D7/337

* cited by examiner

Primary Examiner—Ricky Pham

(74) *Attorney, Agent, or Firm*—Young & Thompson

(57) **CLAIM**

The ornamental design for a grill, as shown.

DESCRIPTION

FIG. 1 is a top, front and side perspective view of a grill showing my new design;

FIG. 2 is a front elevational view thereof;

FIG. 3 is a side elevational view thereof from the left of FIG. 2;

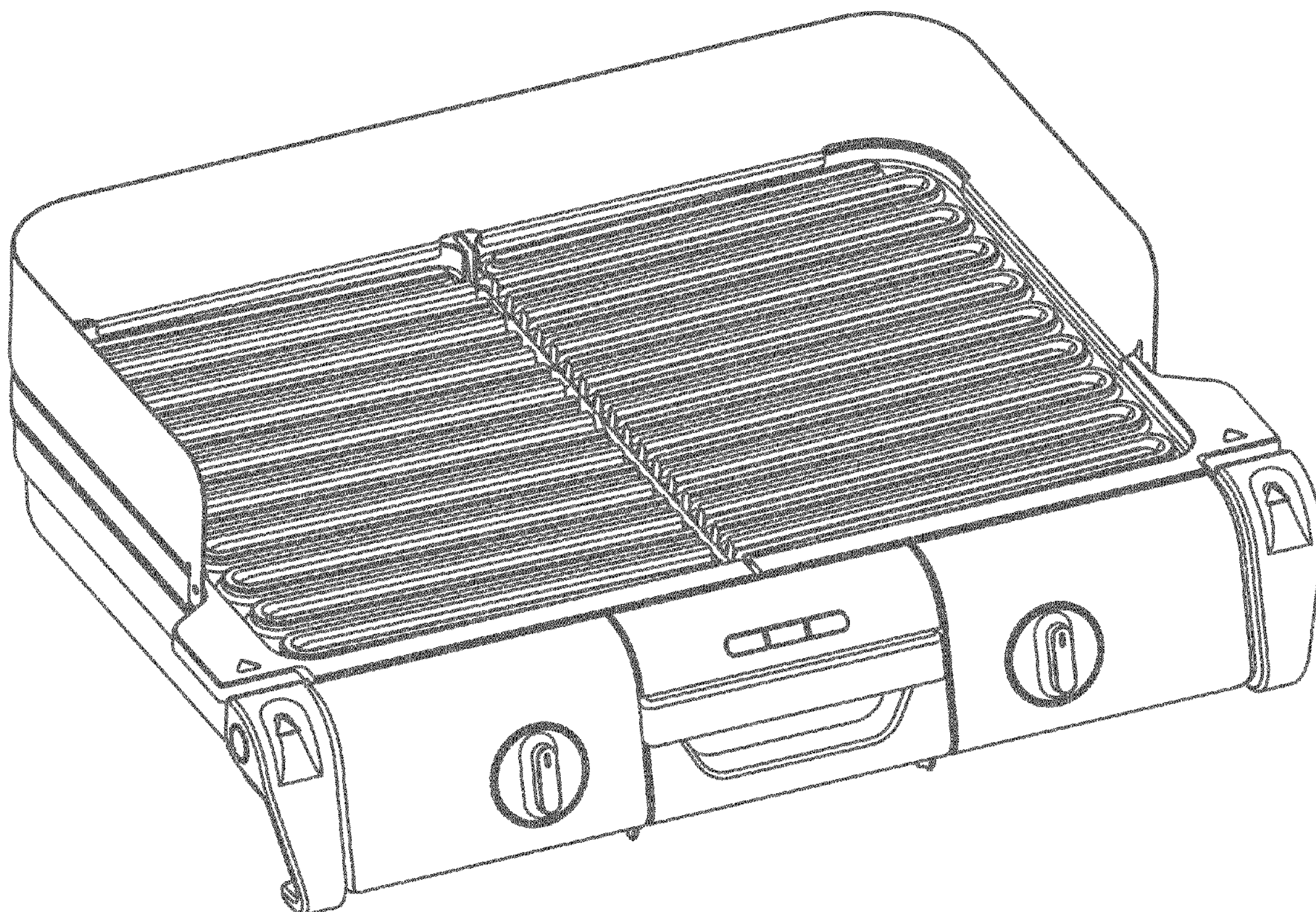
FIG. 4 is a side elevational view thereof from the right of FIG. 2;

FIG. 5 is a rear elevational view thereof;

FIG. 6 is a top plan view thereof; and,

FIG. 7 is a bottom plan view thereof.

1 Claim, 7 Drawing Sheets



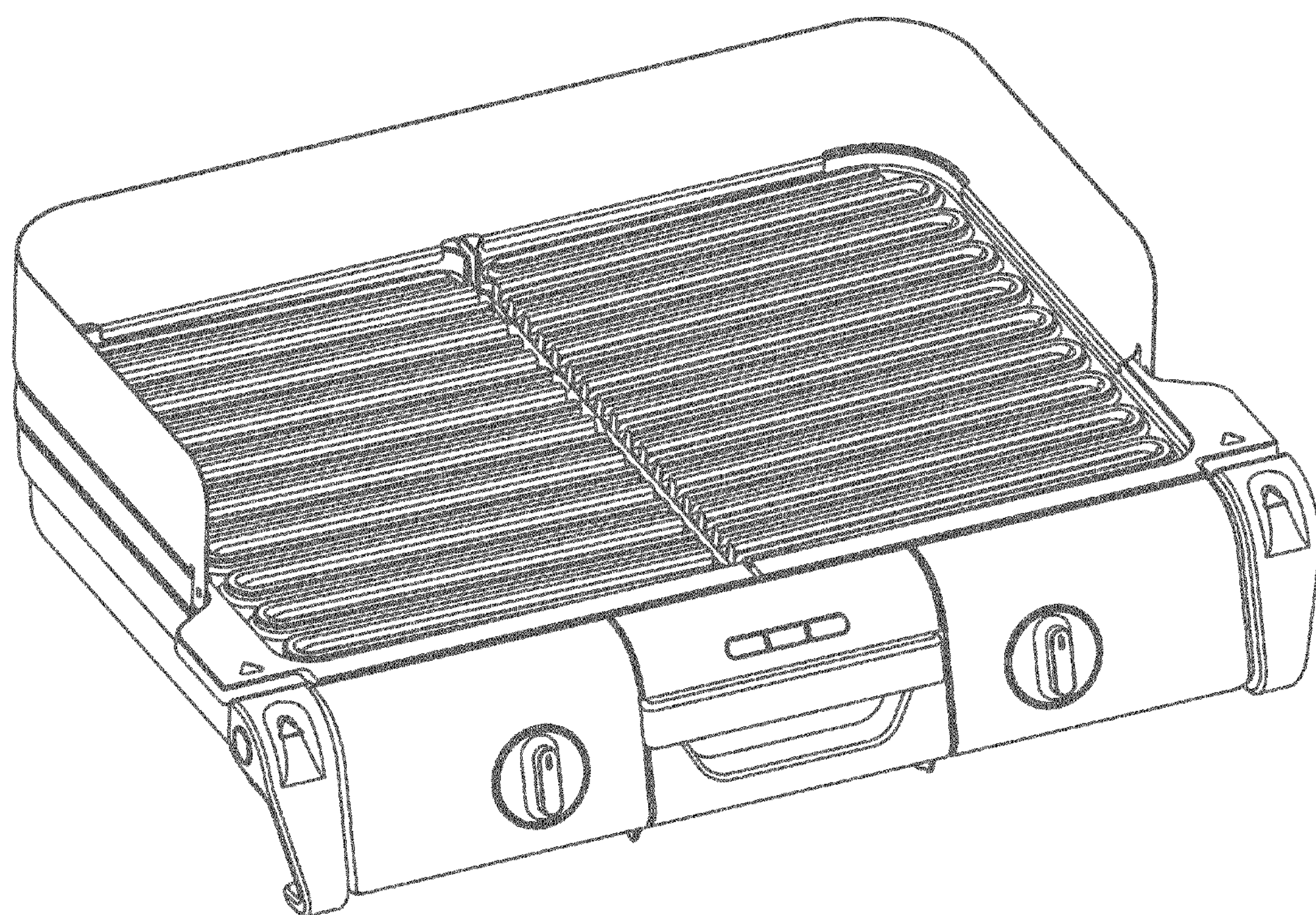


Fig. 1

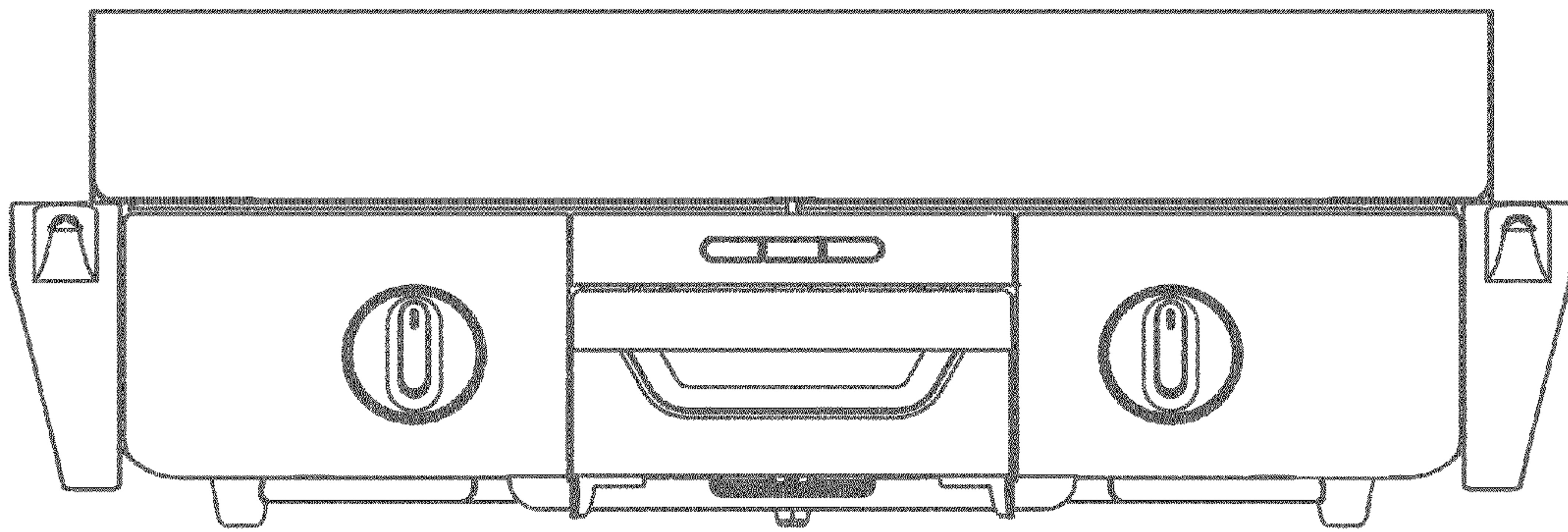


Fig. 2

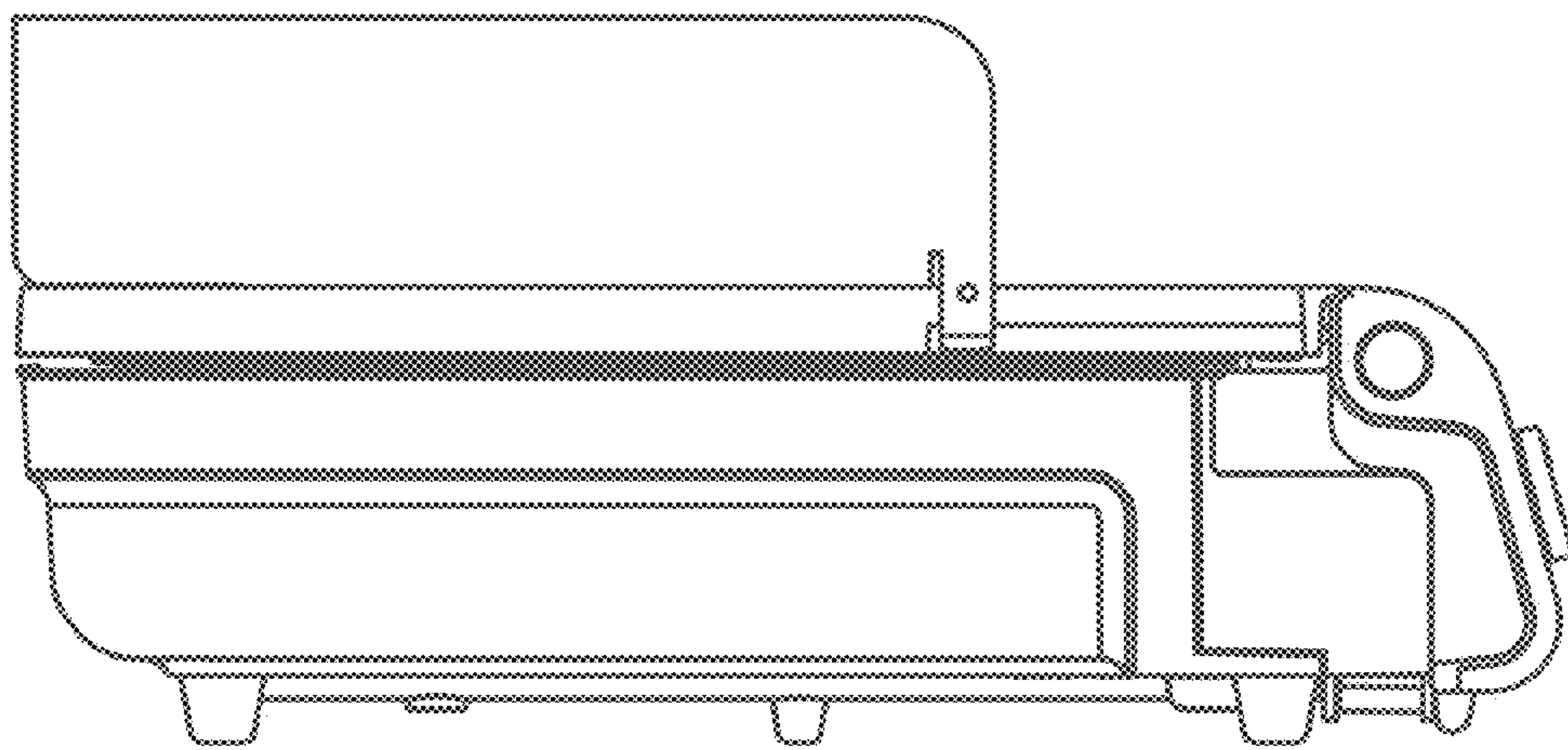


Fig. 3

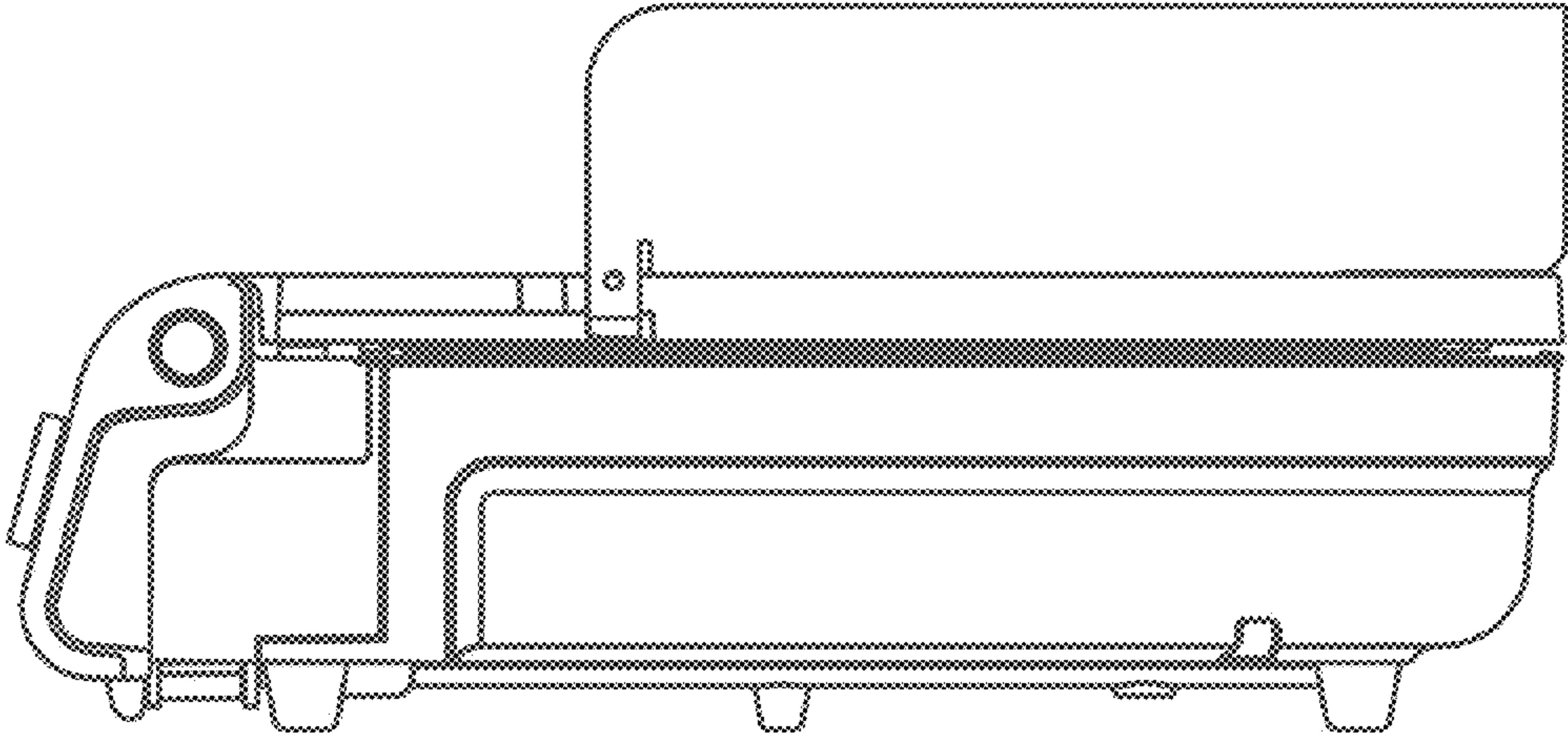


Fig. 4

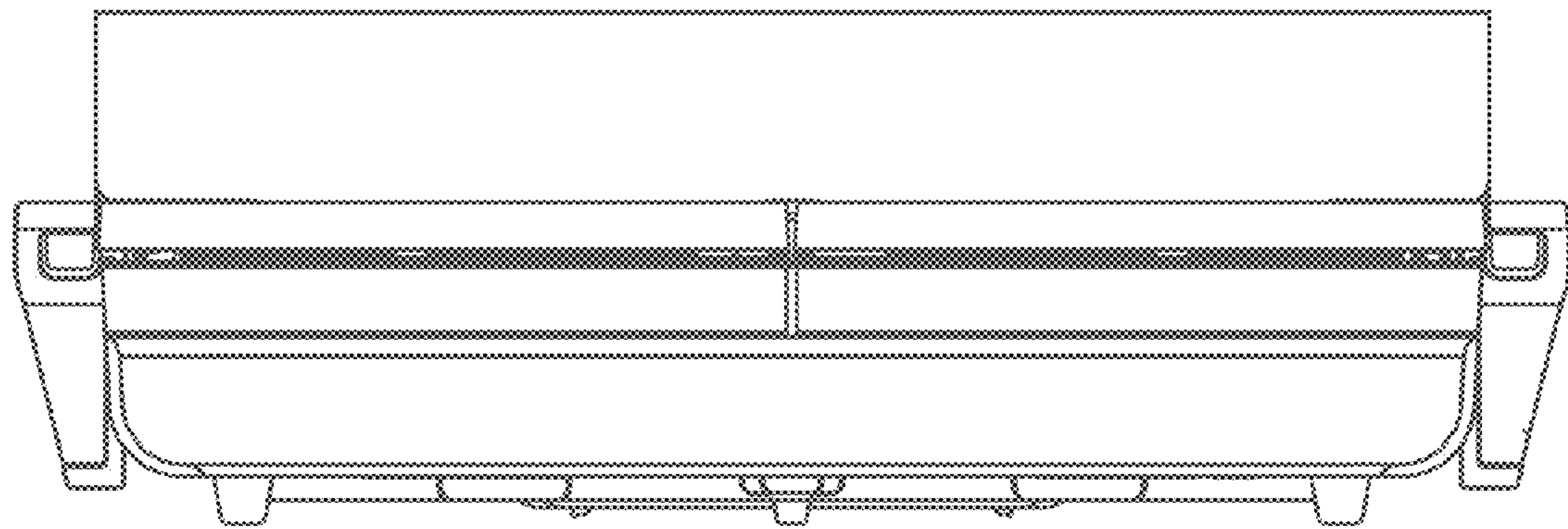


Fig. 5

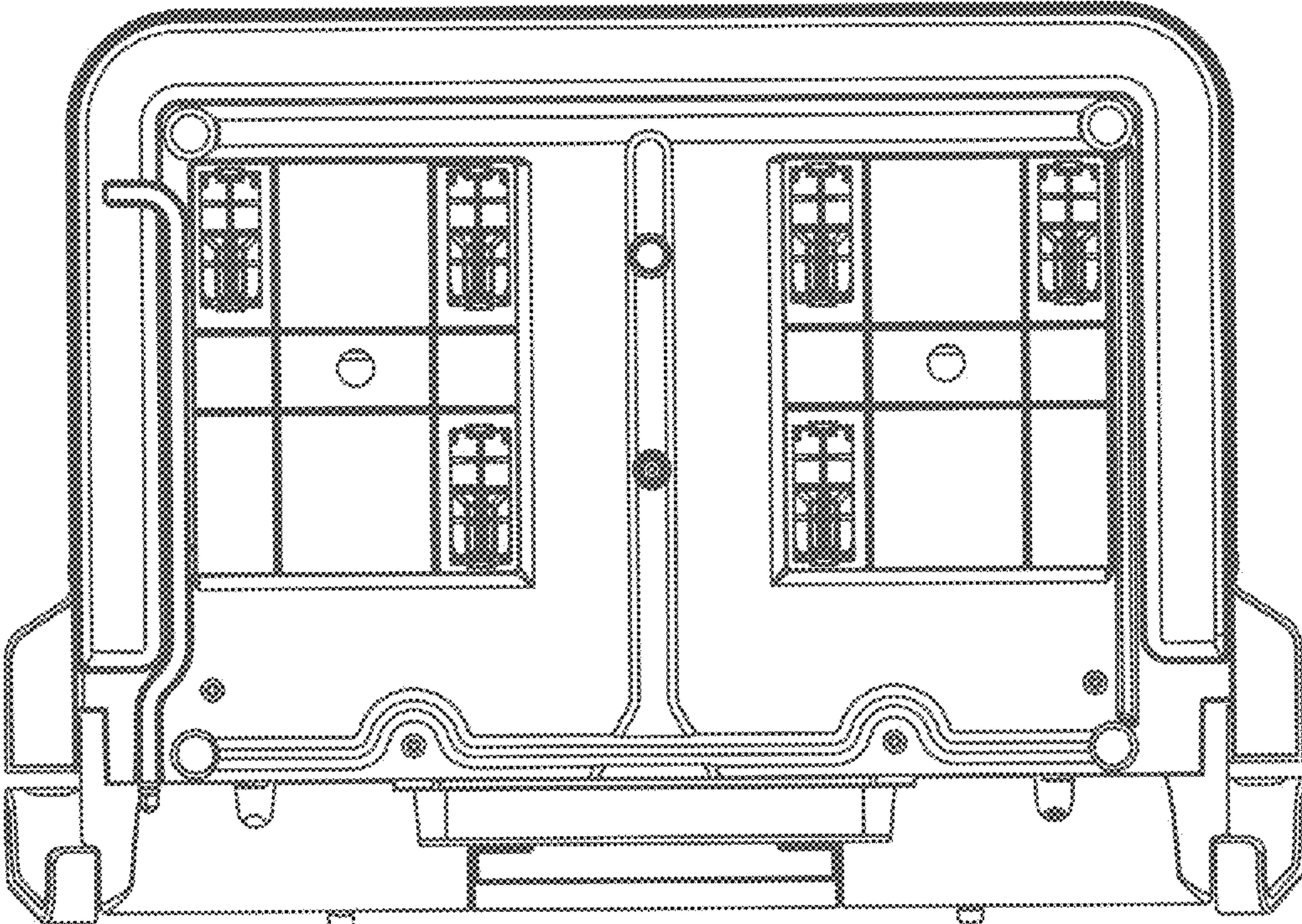


Fig. 7