



US00D627184S

(12) **United States Design Patent**
Pisani et al.

(10) **Patent No.:** **US D627,184 S**
(45) **Date of Patent:** **** Nov. 16, 2010**

(54) **BEDROLL**

(76) Inventors: **Stephen V Pisani**, 2722 Meadowlark Dr., Lewiston, ID (US) 83501; **Dina Pisani**, 2722 Meadowlark Dr., Lewiston, ID (US) 83501

(**) Term: **14 Years**

(21) Appl. No.: **29/331,933**

(22) Filed: **Feb. 5, 2009**

(51) **LOC (9) Cl.** **06-09**

(52) **U.S. Cl.** **D6/603**

(58) **Field of Classification Search** D6/596-603, D6/608, 609, 588; 5/482, 485, 489-491, 5/494, 495, 497, 499-502, 417-420, 907
See application file for complete search history.

(56) **References Cited**

U.S. PATENT DOCUMENTS

666,034	A	1/1901	Solomon	
1,263,825	A	4/1918	Waugh	
1,324,009	A	12/1919	Hope	
2,214,074	A *	9/1940	Clarke	5/499
2,358,410	A	9/1944	Matthesius	
D164,627	S *	9/1951	Cruikshank	D6/588
2,662,234	A *	12/1953	Citron	5/497
2,857,643	A *	10/1958	Tomsic	24/72.5
3,879,777	A *	4/1975	Walker	5/500
4,339,835	A	7/1982	Jaffe et al.	
4,413,368	A	11/1983	Schuetze	
4,461,049	A *	7/1984	Hammond	5/498
4,601,076	A	7/1986	Knobeloch	
4,768,252	A *	9/1988	Ross	5/497
4,825,489	A *	5/1989	Ross	5/497
5,479,664	A *	1/1996	Hollander	5/499
D370,822	S *	6/1996	Palomo et al.	D6/602
D401,736	S	12/1998	Shaw	
5,884,349	A	3/1999	Gretsinger	
5,987,667	A *	11/1999	Haverly et al.	5/485
6,061,851	A	5/2000	Crowell	

6,088,852	A	7/2000	Quandt	
6,367,083	B1	4/2002	November	
6,463,604	B1	10/2002	Reveron et al.	
6,539,565	B1 *	4/2003	Trimble	5/485
6,598,248	B1	7/2003	Ong	
6,799,339	B2	10/2004	Stewart	
6,859,960	B1	3/2005	Jerome	
6,886,197	B1	5/2005	Madigan	
6,983,500	B2 *	1/2006	Wootten	5/497
7,051,387	B1	5/2006	Yoder et al.	
D530,135	S	10/2006	Lau	
D537,286	S *	2/2007	Johnson	D6/603
D546,613	S *	7/2007	OConnor	D6/602
7,698,758	B2 *	4/2010	Wootten, Jr.	5/497

* cited by examiner

Primary Examiner—Janice E Seeger
Assistant Examiner—Zenita I Bennett
(74) *Attorney, Agent, or Firm*—Pedersen and Company, PLLC; Ken J. Pedersen; Barbara S. Pedersen

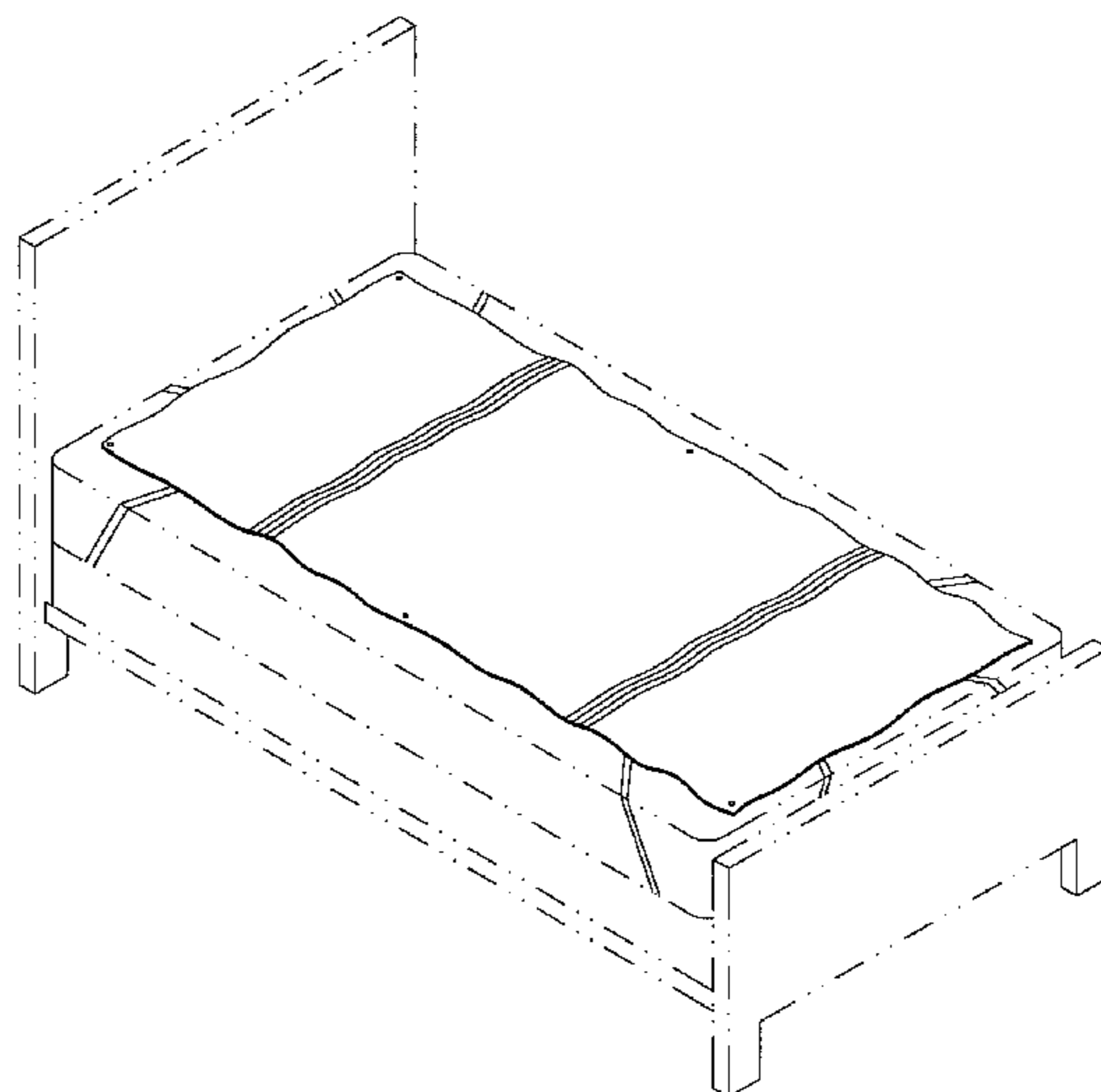
(57) **CLAIM**

The ornamental design for a bedroll, as shown and described.

DESCRIPTION

FIG. 1 is a perspective view showing my new design;
FIG. 2 is a top plan view;
FIG. 3 is a left elevational view;
FIG. 4 is a right side elevational view;
FIG. 5 is a bottom plan view;
FIG. 6 is a front elevational view;
FIG. 7 is a rear elevational view.
FIG. 8 is a second embodiment of view in FIG. 1;
FIG. 9 is a third embodiment of the view in FIG. 1; and,
FIG. 10 is a fourth embodiment of the view in FIG. 1.
The broken lines in the drawing are for illustrative purposes only and form no part of the claimed design.

1 Claim, 4 Drawing Sheets



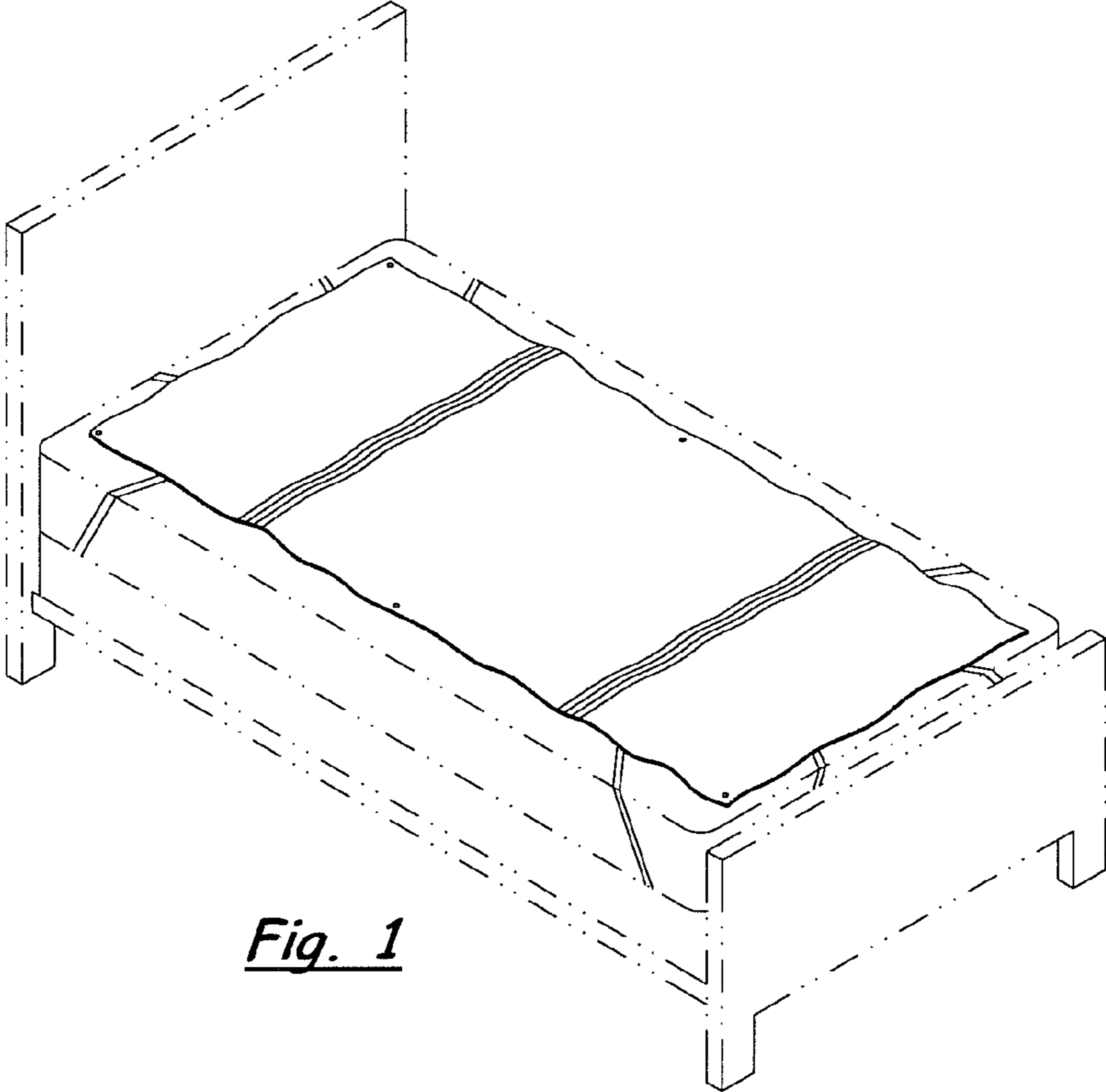


Fig. 1

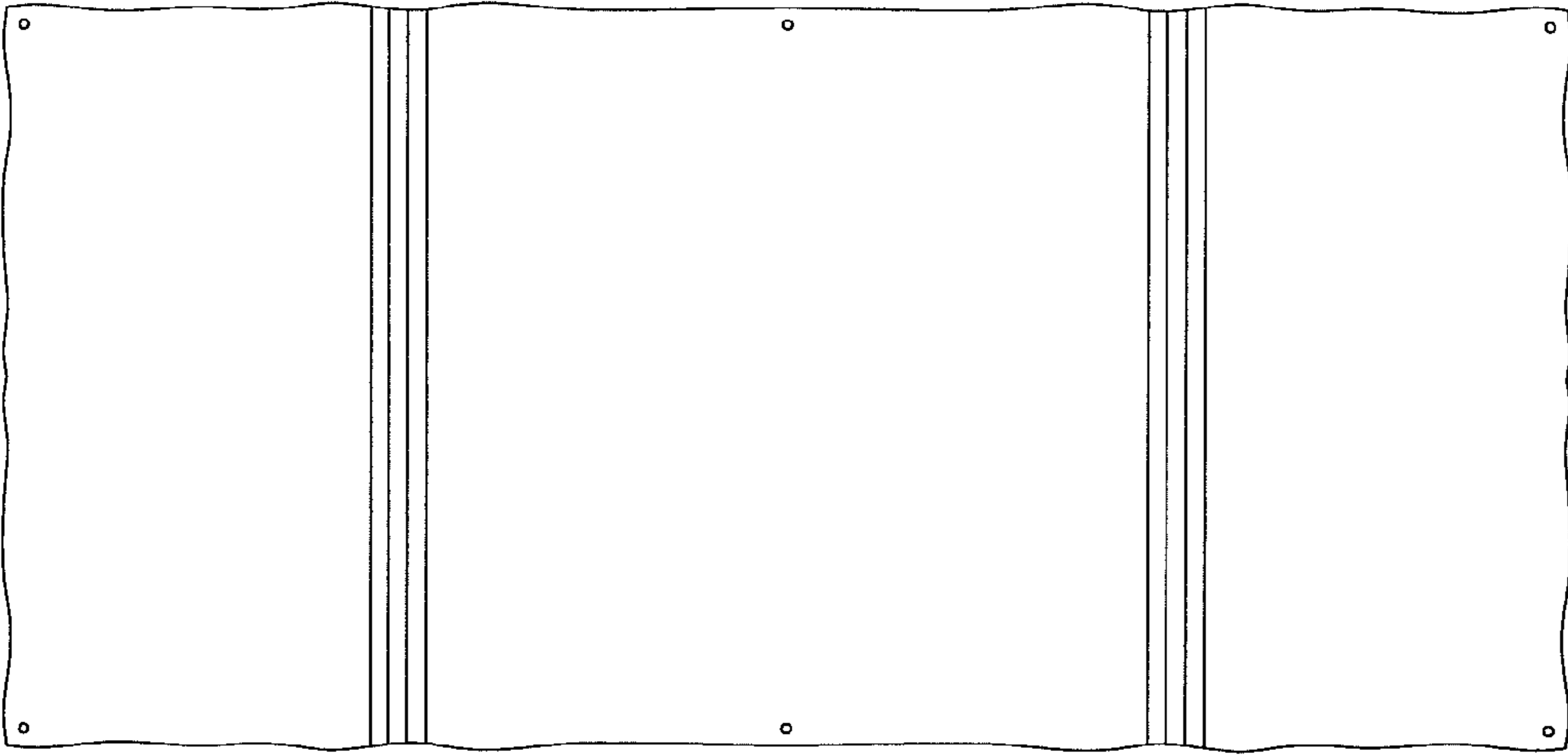


Fig. 2



Fig. 3



Fig. 4

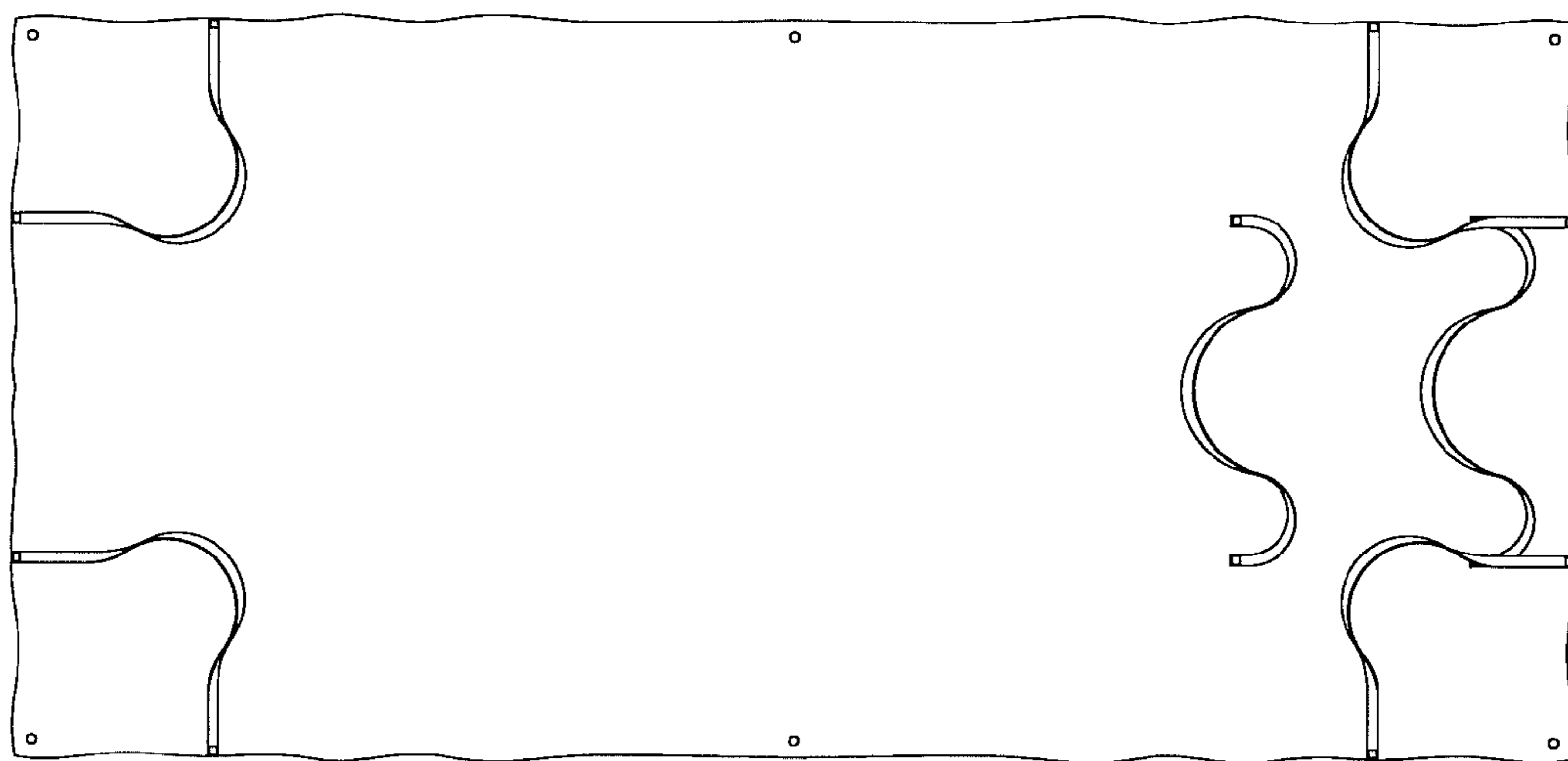


Fig. 5



Fig. 6



Fig. 7

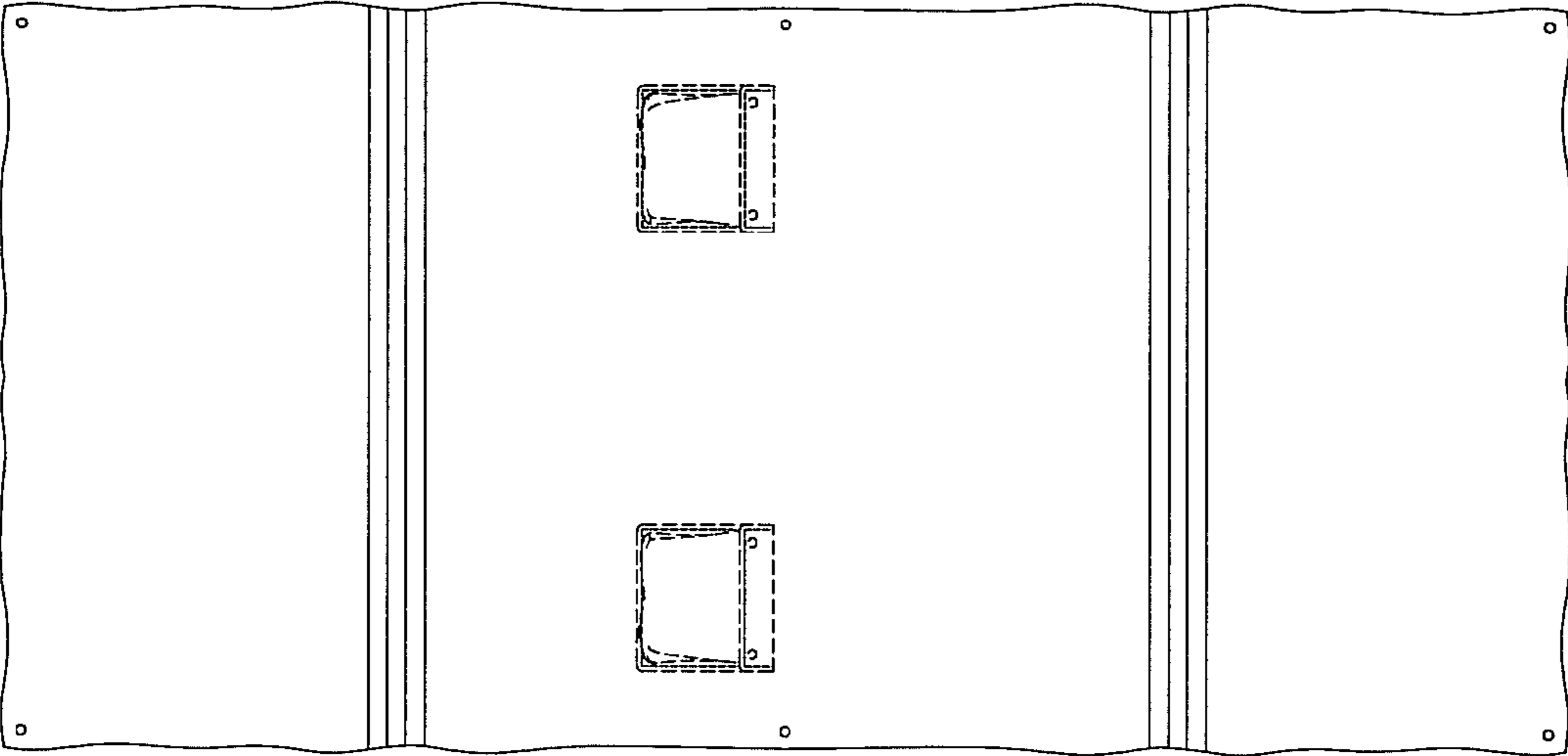


Fig. 8

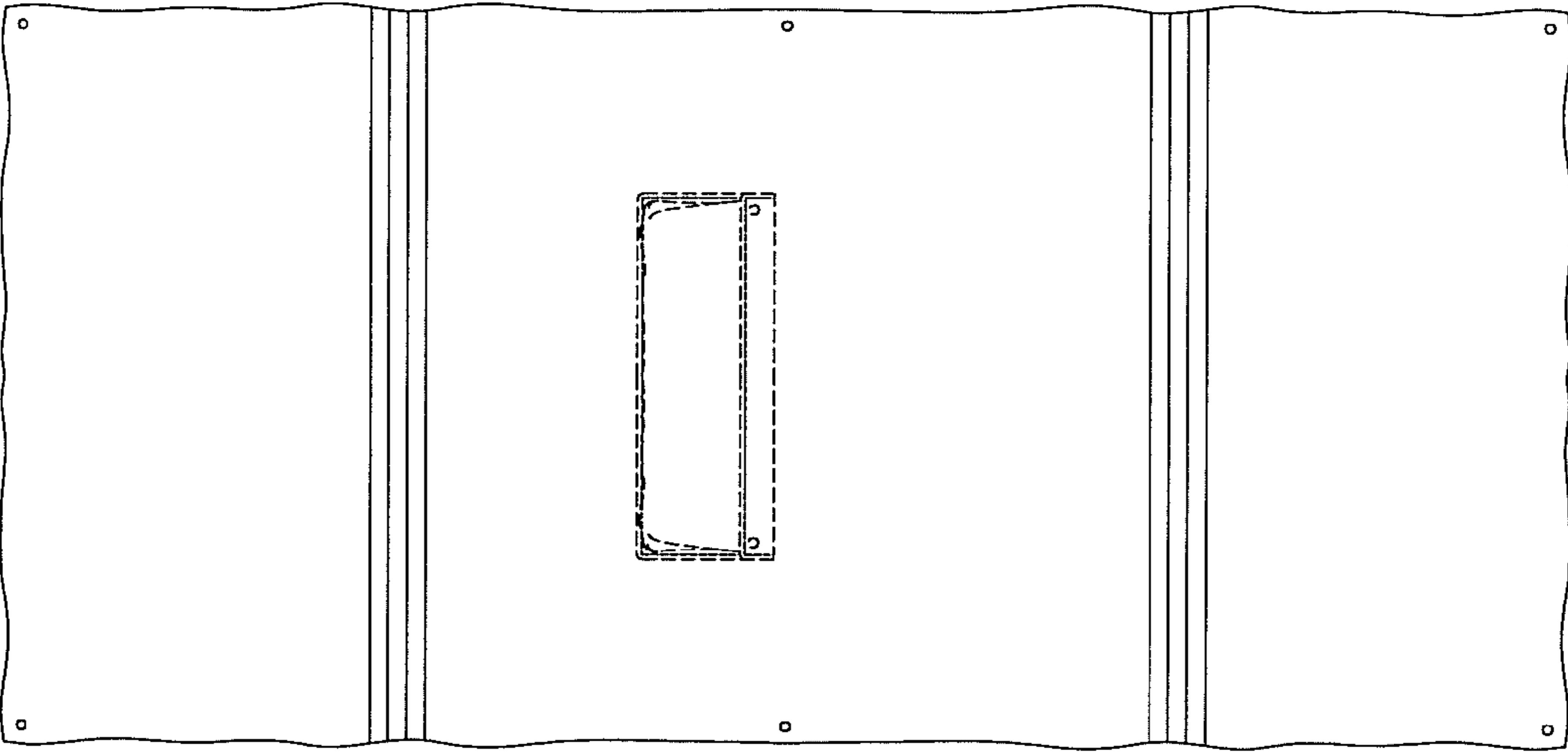


Fig. 9

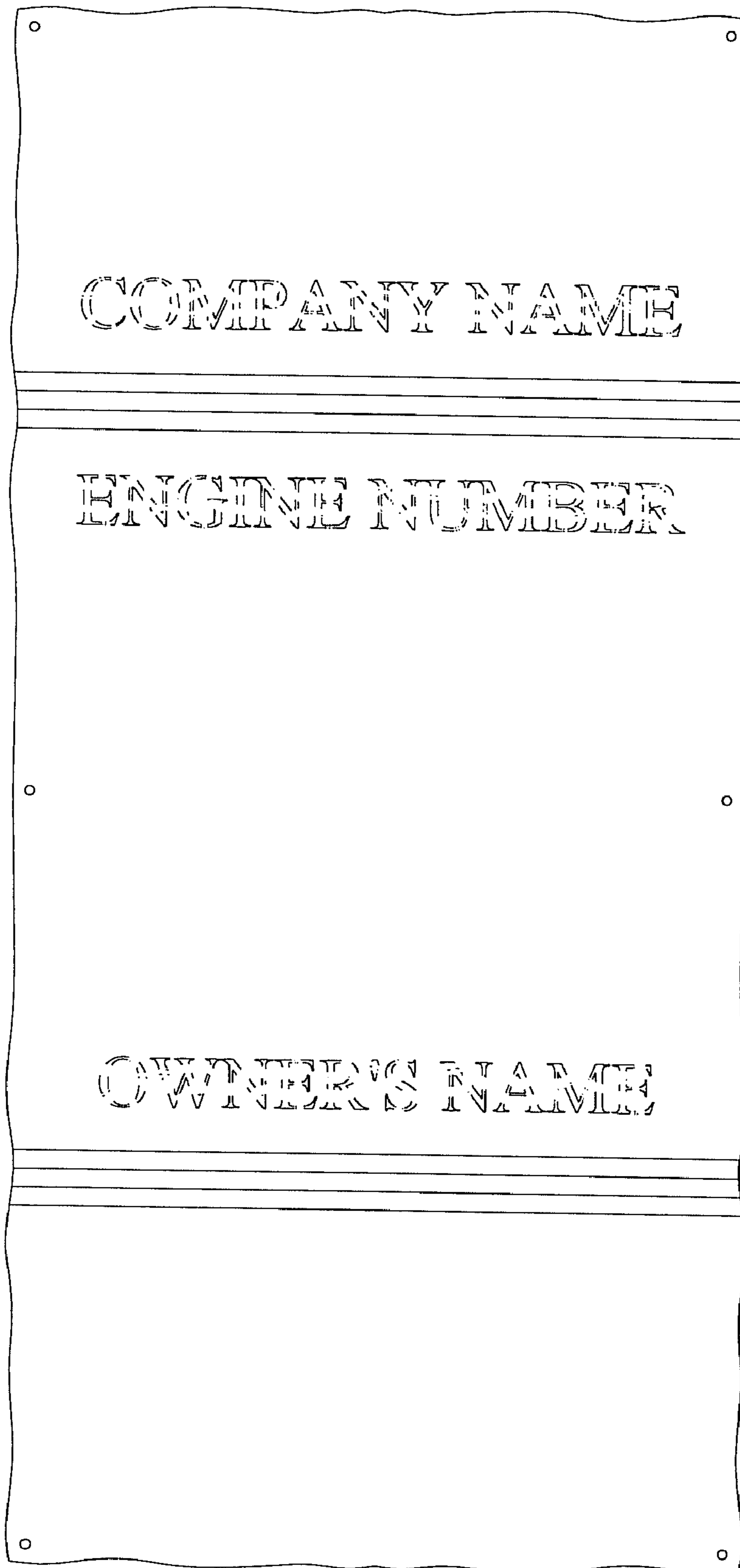


Fig. 10