



US00D627182S

(12) **United States Design Patent**
Wirth

(10) **Patent No.:** **US D627,182 S**

(45) **Date of Patent:** **** Nov. 16, 2010**

(54) **DISPENSER FOR HAND SANITIZER**

D344,204 S * 2/1994 Dixon D7/313
D372,564 S * 8/1996 Casey D9/633
D586,228 S * 2/2009 McWillis D9/633

(76) Inventor: **Richard C. Wirth**, 17 Sandspring Dr.,
Saratoga Springs, NY (US) 12866

* cited by examiner

(**) Term: **14 Years**

Primary Examiner—Brian N Vinson

(21) Appl. No.: **29/345,247**

(74) *Attorney, Agent, or Firm*—Schmeiser, Olsen & Watts,
LLP

(22) Filed: **Oct. 13, 2009**

(57) **CLAIM**

(51) **LOC (9) Cl.** **23-02**

The ornamental design for a dispenser for hand sanitizer, as
shown and described.

(52) **U.S. Cl.** **D6/542; D9/633**

(58) **Field of Classification Search** D9/633,
D9/300, 516, 549, 550, 556, 559, 563, 499;
206/457, 822; 215/400; 220/890, DIG. 1,
220/565, 567.2, 4.04–4.11; D3/270, 271.1;
D7/560, 565, 564, 571, 300, 301, 303; D6/542;
222/173, 180, 322; 229/67, 55

See application file for complete search history.

DESCRIPTION

FIG. 1 is a front, perspective view showing our design for a
dispenser for hand sanitizer;

FIG. 2 is a top view thereof;

FIG. 3 is a front view thereof;

FIG. 4 is a left side view thereof;

FIG. 5 is a back view thereof; and,

FIG. 6 is a bottom view thereof.

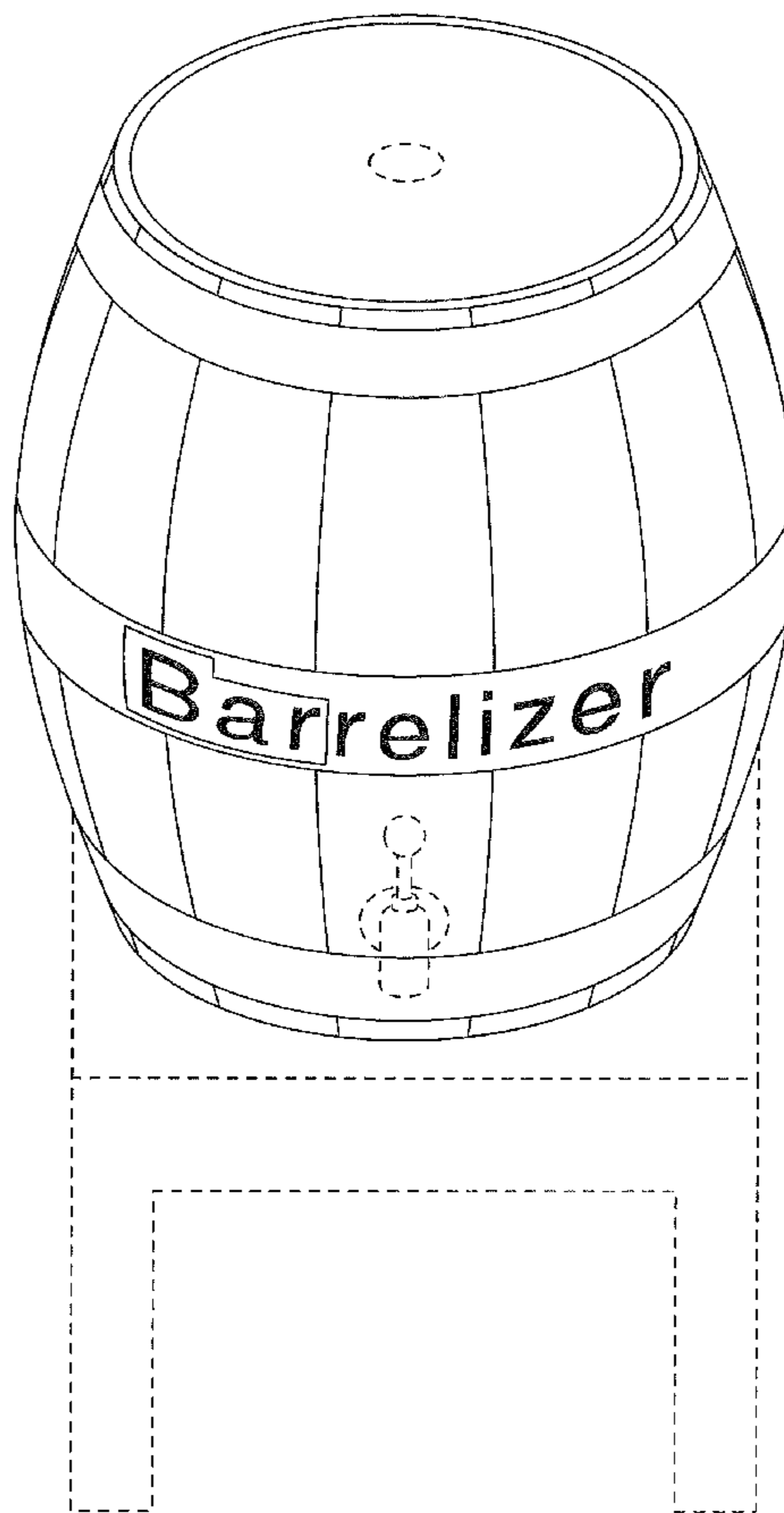
The broken-line disclosure in the views is understood to
represent a portion of the article in which the claimed design
is embodied, but which forms no part of the claimed design.

(56) **References Cited**

U.S. PATENT DOCUMENTS

D11,717 S * 4/1880 Chase D9/633
D16,734 S * 6/1886 Burnell et al. D9/633
D193,084 S * 6/1962 Elkins D9/633
3,295,745 A * 1/1967 Winter D9/633
D216,422 S * 1/1970 Koch D9/633
D310,627 S * 9/1990 Manuel D9/633

1 Claim, 6 Drawing Sheets



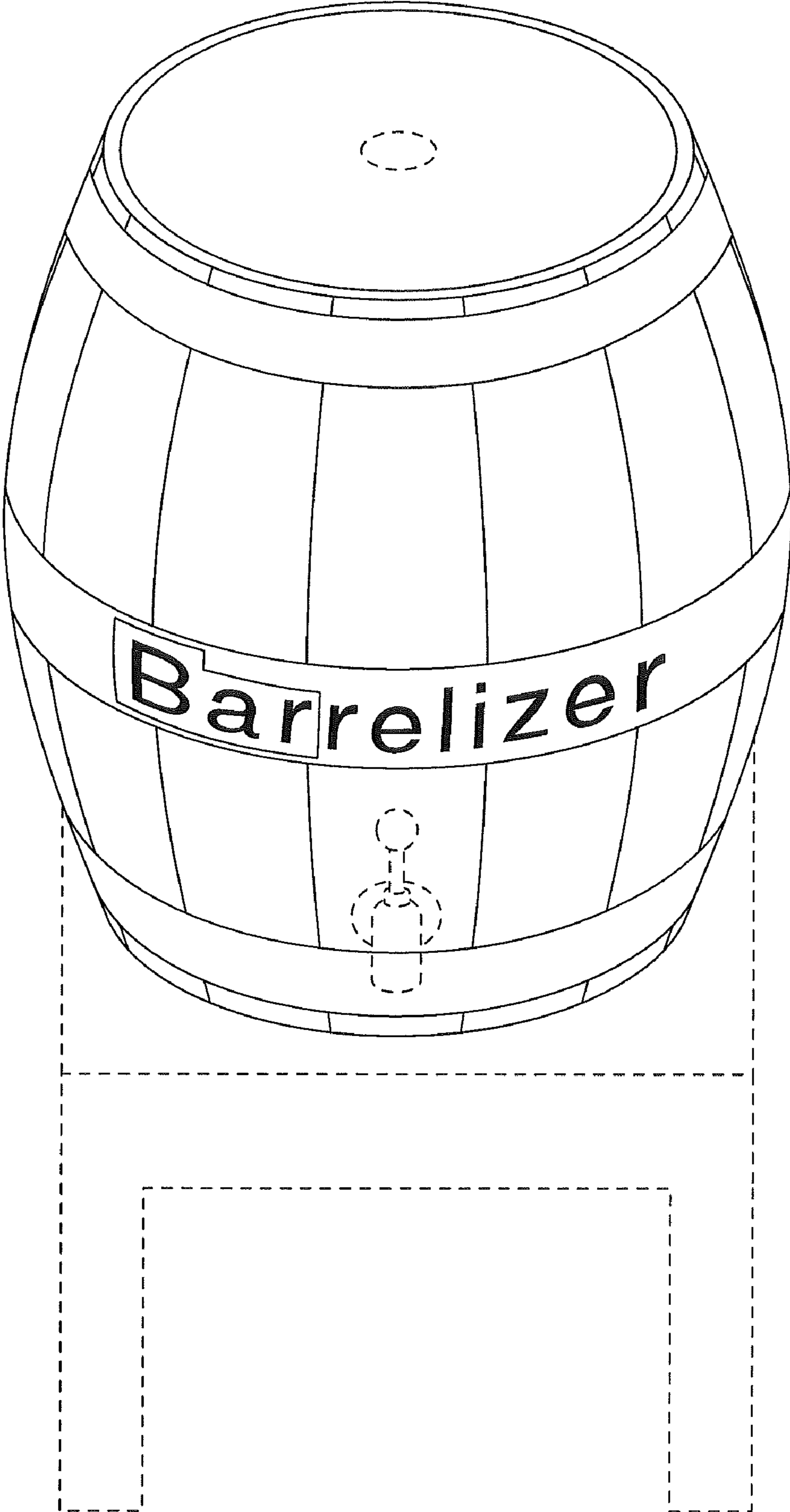


FIG. 1

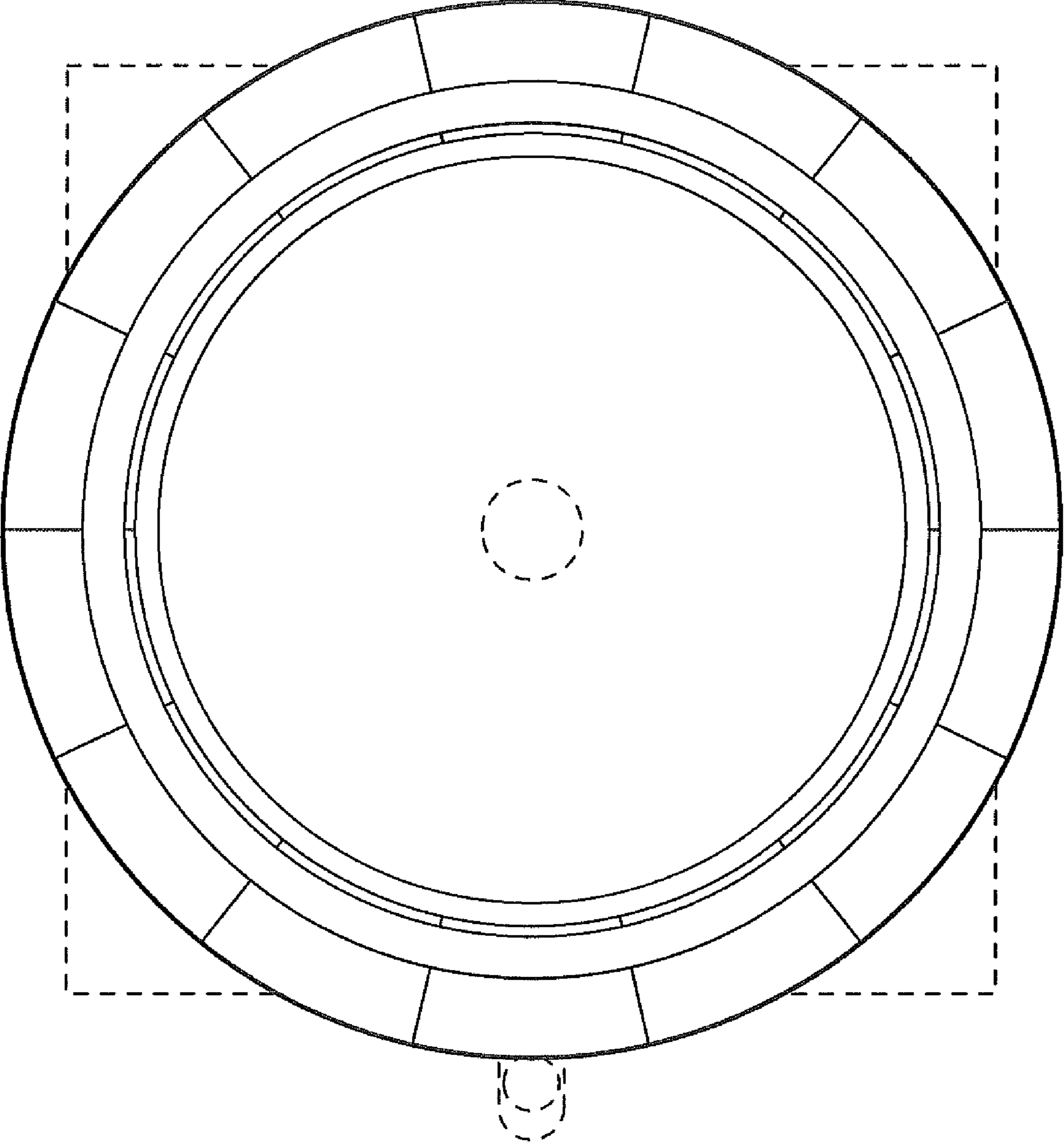


FIG. 2

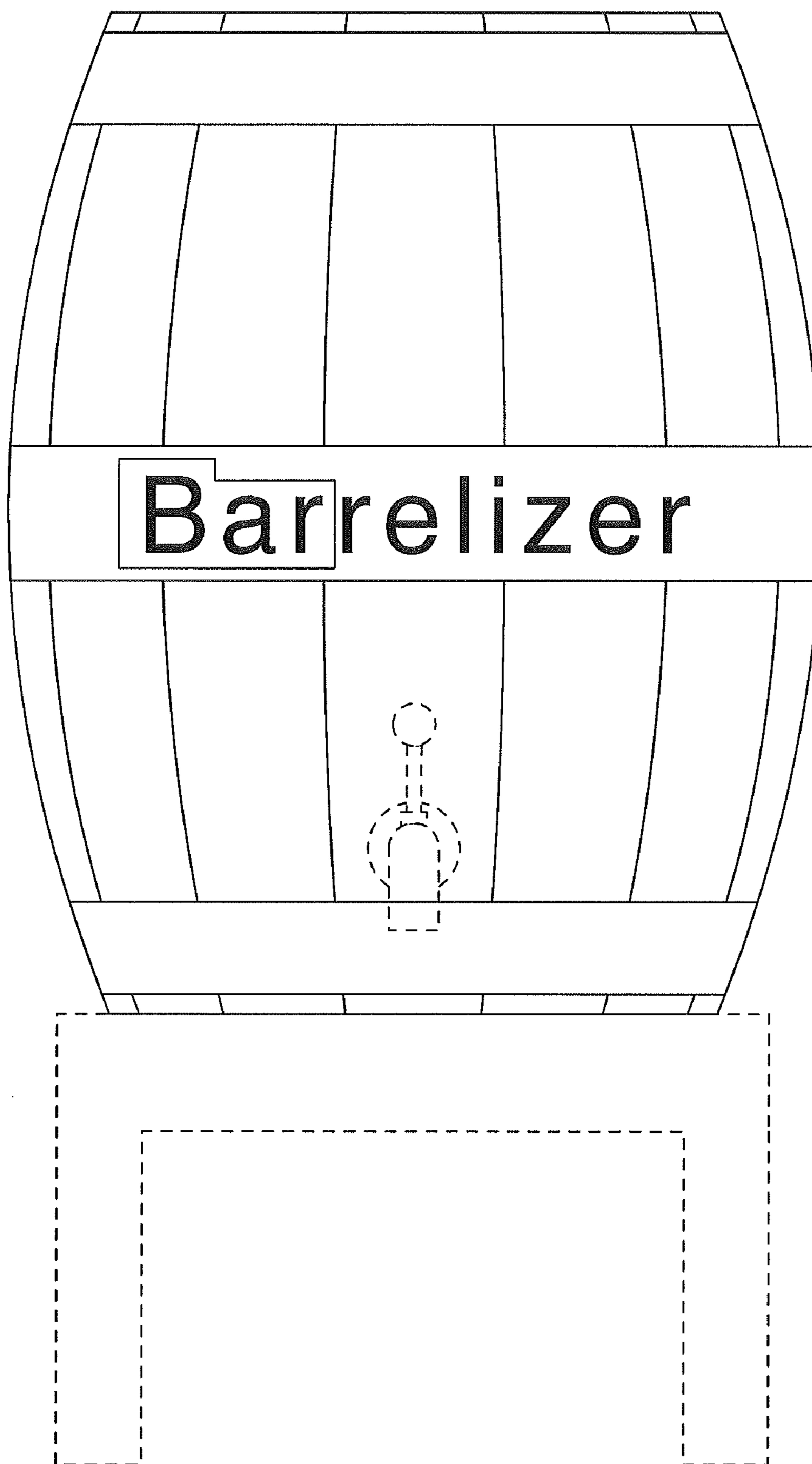


FIG. 3

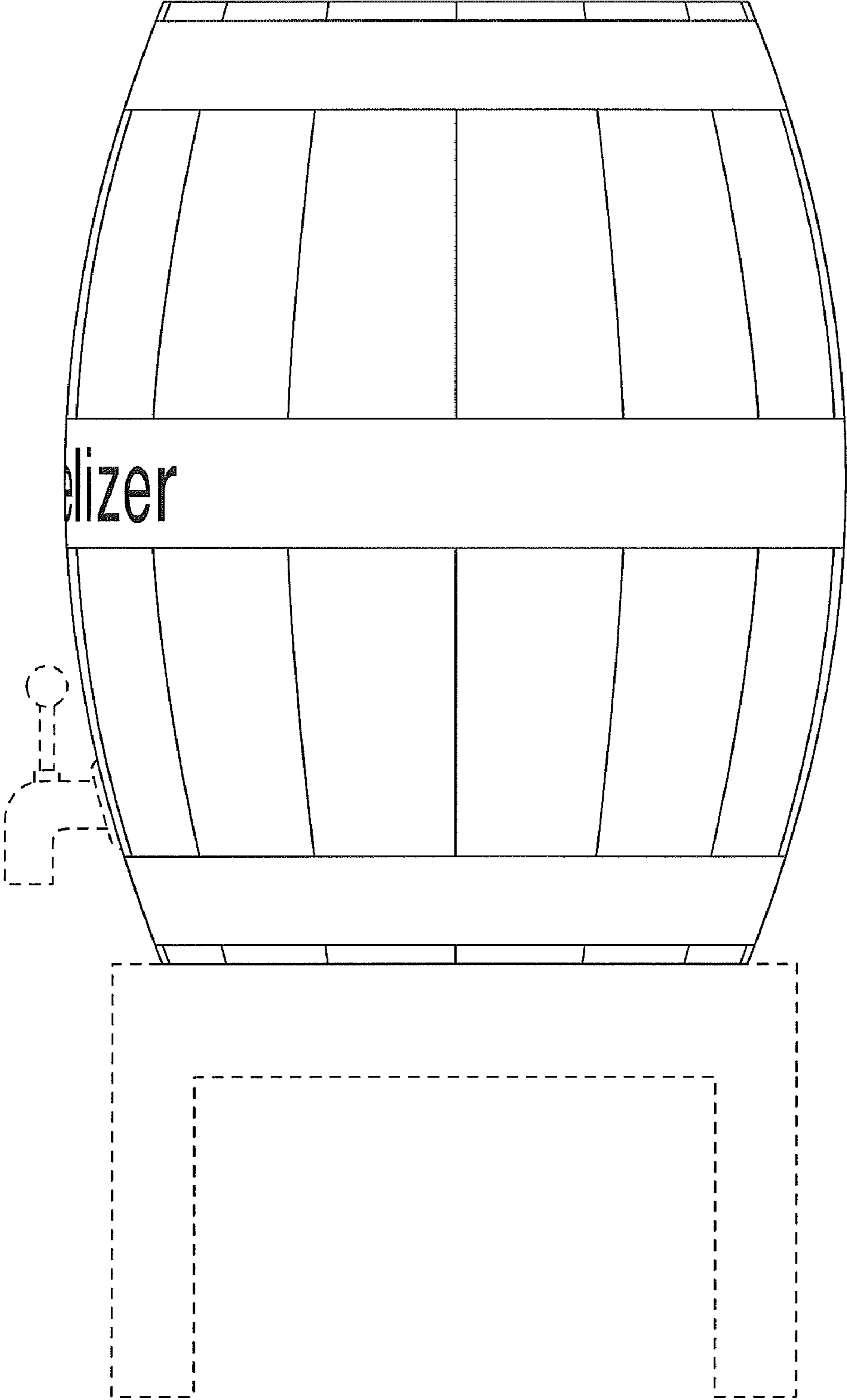


FIG. 4

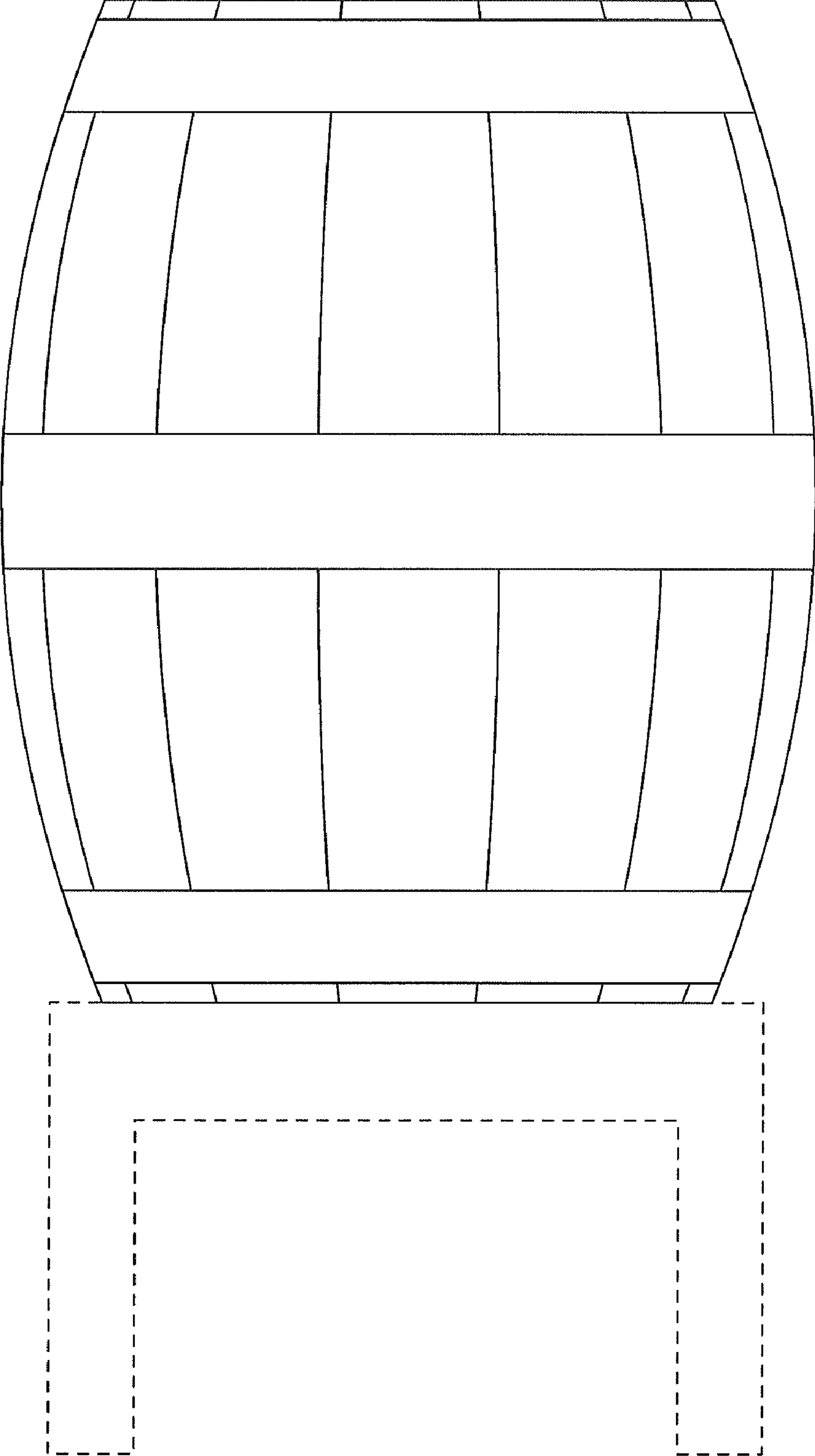


FIG. 5

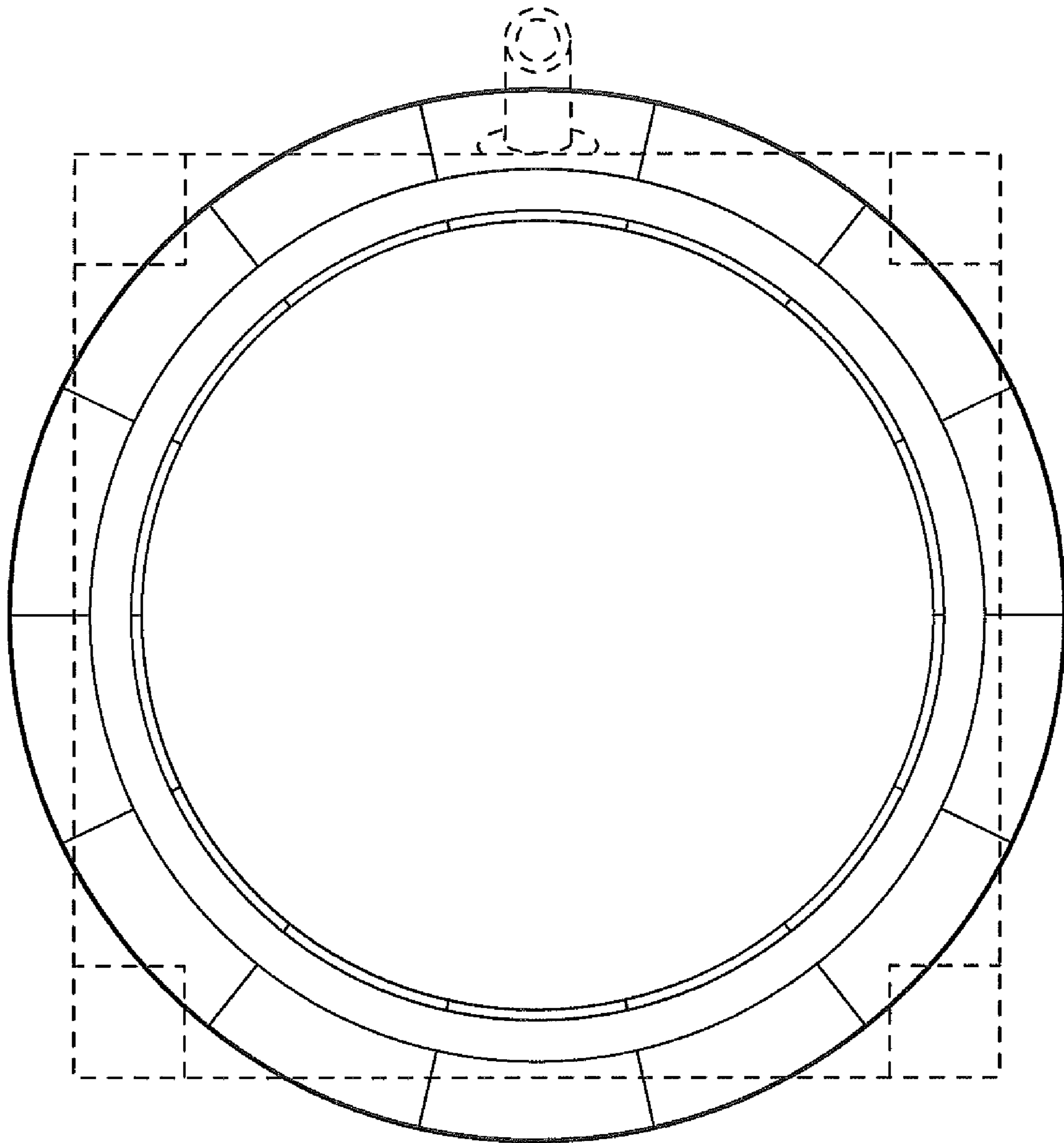


FIG. 6