



US00D627180S

(12) **United States Design Patent**
McCombs et al.

(10) **Patent No.:** **US D627,180 S**

(45) **Date of Patent:** **** Nov. 16, 2010**

(54) **WIRE SHELVING SYSTEM**

(75) Inventors: **Bradley Robert McCombs**, Lexington, KY (US); **Mark Allen Kikendall**, Versailles, KY (US)

(73) Assignee: **AWP Industries, Inc.**, Frankfort, KY (US)

(**) Term: **14 Years**

(21) Appl. No.: **29/352,942**

(22) Filed: **Dec. 30, 2009**

(51) **LOC (9) Cl.** **06-04**

(52) **U.S. Cl.** **D6/511**

(58) **Field of Classification Search** D6/511, D6/566, 567, 574, 396, 397, 630, 449, 465, D6/474, 499, 476, 477, 479, 462, 475; 312/9.1, 312/9.9, 9.51; 108/28-29, 59-61, 91-93, 108/147.11, 158.11; 248/235, 309.1; 211/32, 211/85.6, 85.7, 22, 41.3, 41.4, 87.01, 90.01, 211/90.03, 134, 181.1, 49.1, 85.26, 133.2, 211/182, 153, 119.003, 90.02
See application file for complete search history.

(56) **References Cited**

U.S. PATENT DOCUMENTS

D289,479 S * 4/1987 Brancher D6/511

5,351,842 A * 10/1994 Remmers 211/90.03
5,836,461 A * 11/1998 Kokenge et al. 211/153
D419,344 S * 1/2000 Greene D6/511
D437,515 S * 2/2001 Remmers et al. D6/511
D489,205 S * 5/2004 Droppers et al. D6/511
7,004,335 B2 * 2/2006 Remmers 211/90.03
D527,935 S * 9/2006 Remmers D6/511
D597,354 S * 8/2009 Liss D6/511

* cited by examiner

Primary Examiner—Caron Veynar

Assistant Examiner—Abraham Bahta

(74) *Attorney, Agent, or Firm*—Stoll Keenon Ogden, PLLC; Rebecca A. Krefft; David J. Clement

(57) **CLAIM**

I claim the ornamental design for a wire shelving system, as shown and described.

DESCRIPTION

FIG. 1 is a left side elevational view of the wire shelving system showing my new design, the right elevational view being identical;

FIG. 2 is a top perspective view thereof;

FIG. 3 is a bottom perspective view thereof; and,

FIG. 4 is a bottom plan view thereof.

1 Claim, 2 Drawing Sheets

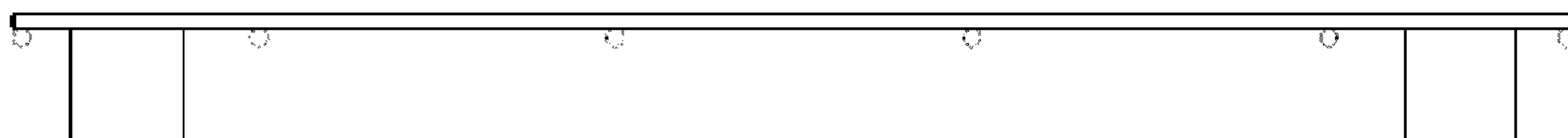




FIG. 1

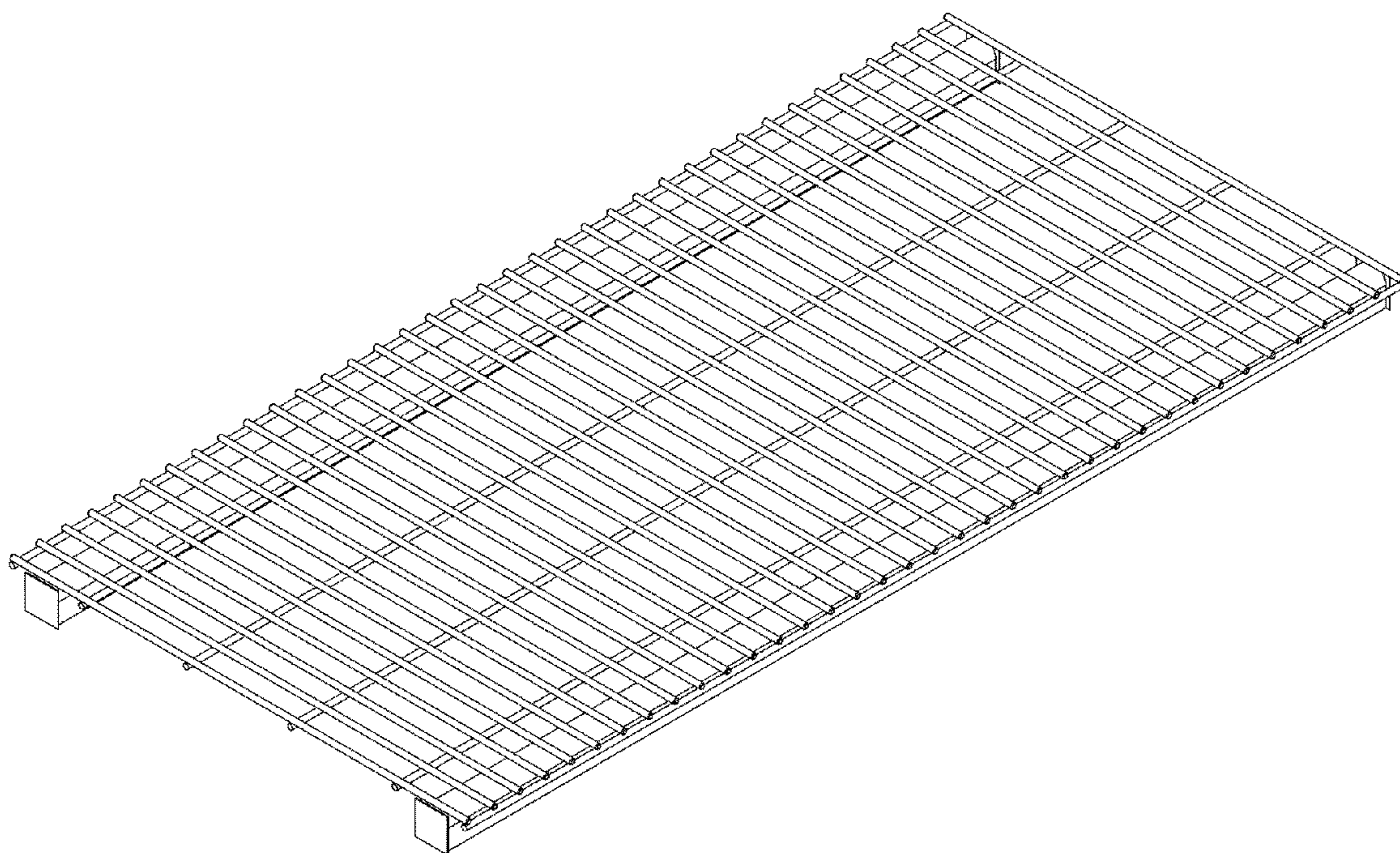


FIG. 2

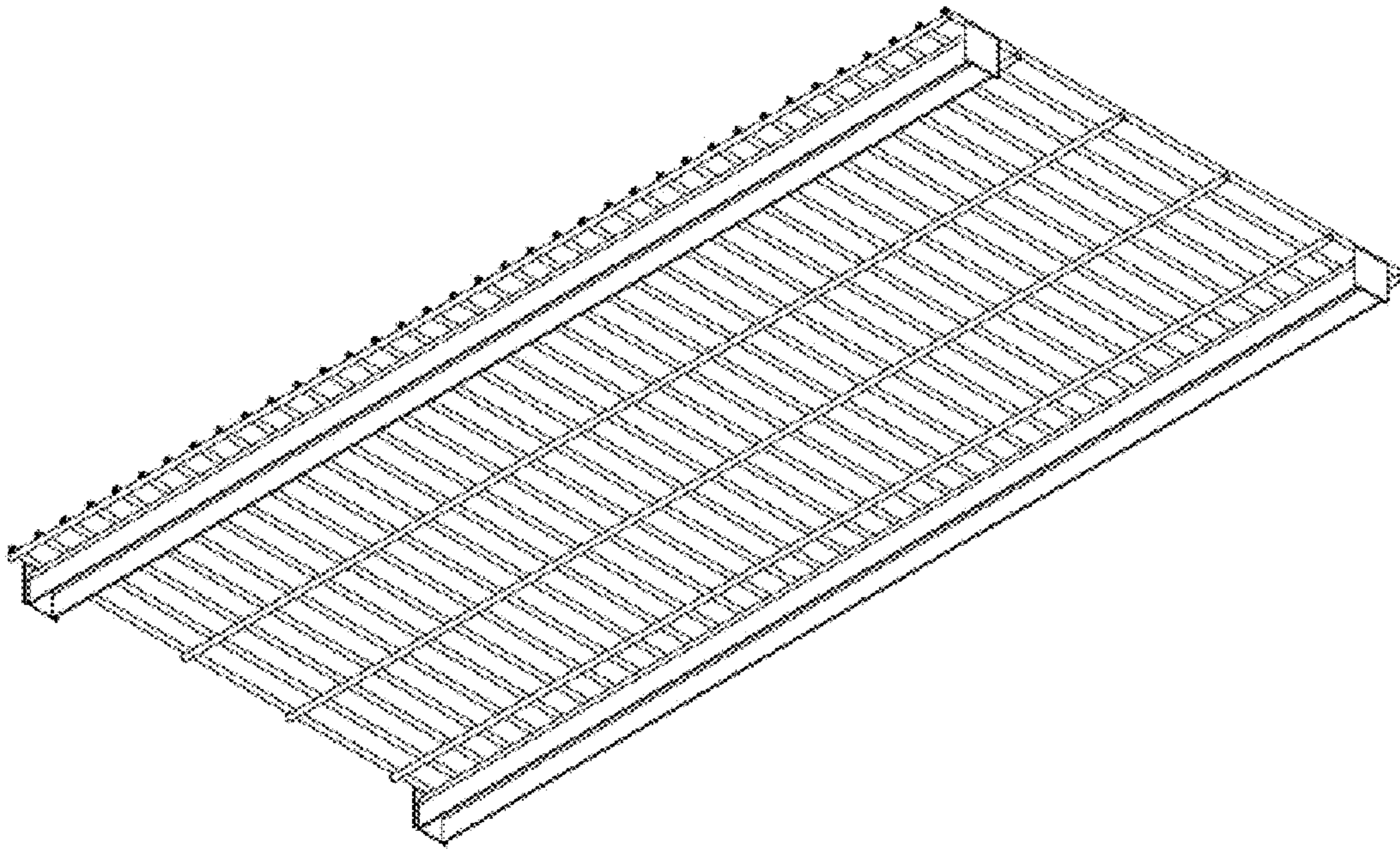


FIG. 3

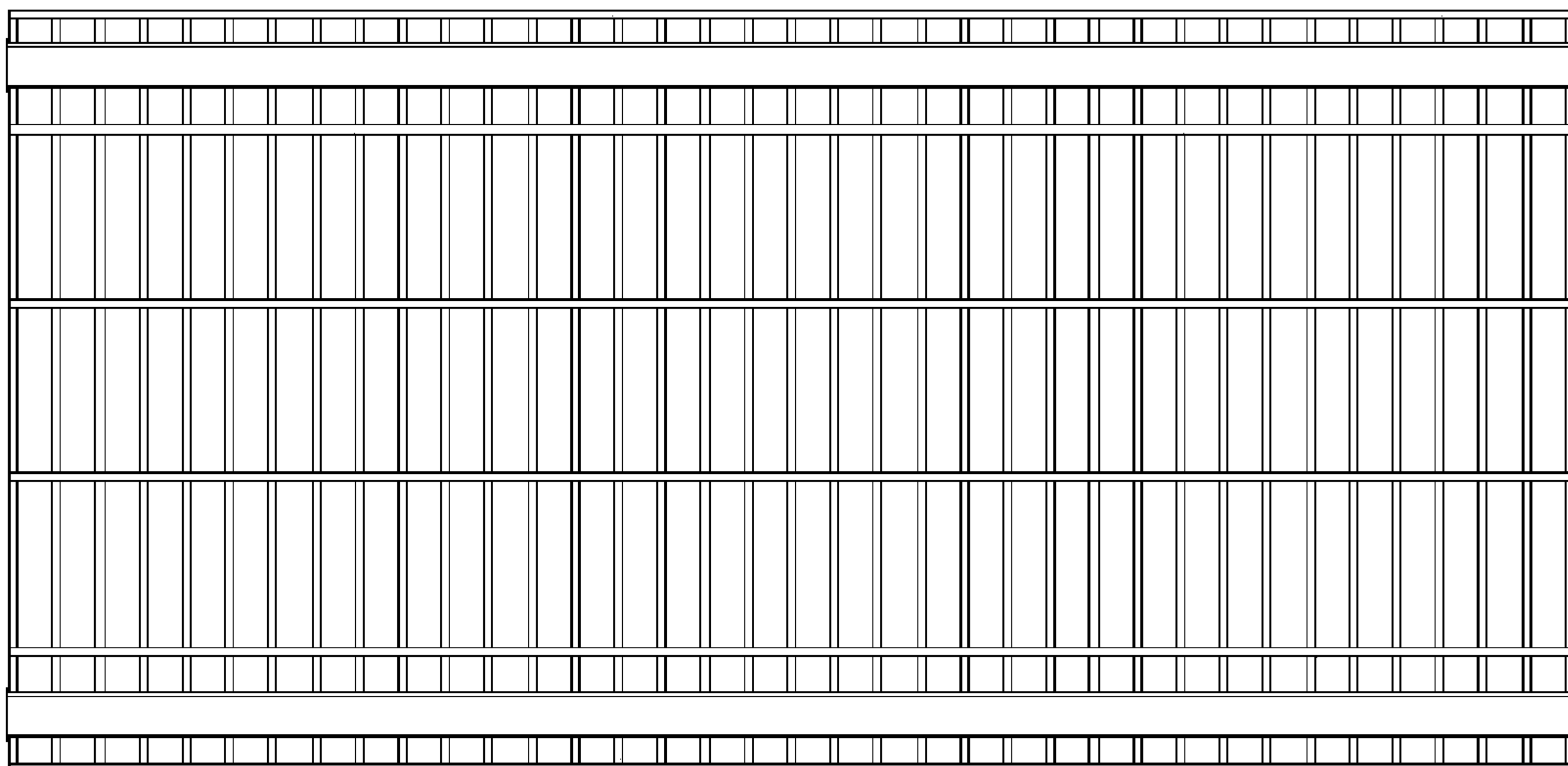


FIG. 4