



US00D627178S

(12) **United States Design Patent**  
**Adams et al.**

(10) **Patent No.:** **US D627,178 S**

(45) **Date of Patent:** **\*\* \*Nov. 16, 2010**

(54) **CANTILEVER DESK**

D507,710 S \* 7/2005 Fletcher et al. .... D6/487  
D510,670 S \* 10/2005 Glass et al. .... D6/487

(75) Inventors: **Sumner Adams**, Corydon, IN (US); **Lon Amerman**, Louisville, KY (US); **Dan Seiler**, Cameron, TX (US)

\* cited by examiner

*Primary Examiner*—Janice E Seeger

(73) Assignee: **Royal Seating, LLC**, Cameron, TX (US)

(74) *Attorney, Agent, or Firm*—George Tompkins; Tompkins PC

(\* ) Notice: This patent is subject to a terminal disclaimer.

(57) **CLAIM**

(\*\*) Term: **14 Years**

The ornamental design for a cantilever desk, as shown and described.

(21) Appl. No.: **29/277,570**

**DESCRIPTION**

(22) Filed: **Mar. 1, 2007**

FIG. 1 is a perspective view of the cantilever desk of the present invention.

(51) **LOC (9) Cl.** ..... **06-03**

FIG. 2 is a front view of the cantilever desk of the present invention.

(52) **U.S. Cl.** ..... **D6/484; D6/487**

FIG. 3 is a side view of the cantilever desk of the present invention.

(58) **Field of Classification Search** ..... D6/480-489,  
D6/495-499, 450, 451, 429-431, 419, 420;  
108/150, 153.1, 155, 156, 161; 248/188,  
248/188.1, 188.8

FIG. 4 is a rear view of the cantilever desk of the present invention.

See application file for complete search history.

FIG. 5 is a top view of the cantilever desk of the present invention.

(56) **References Cited**

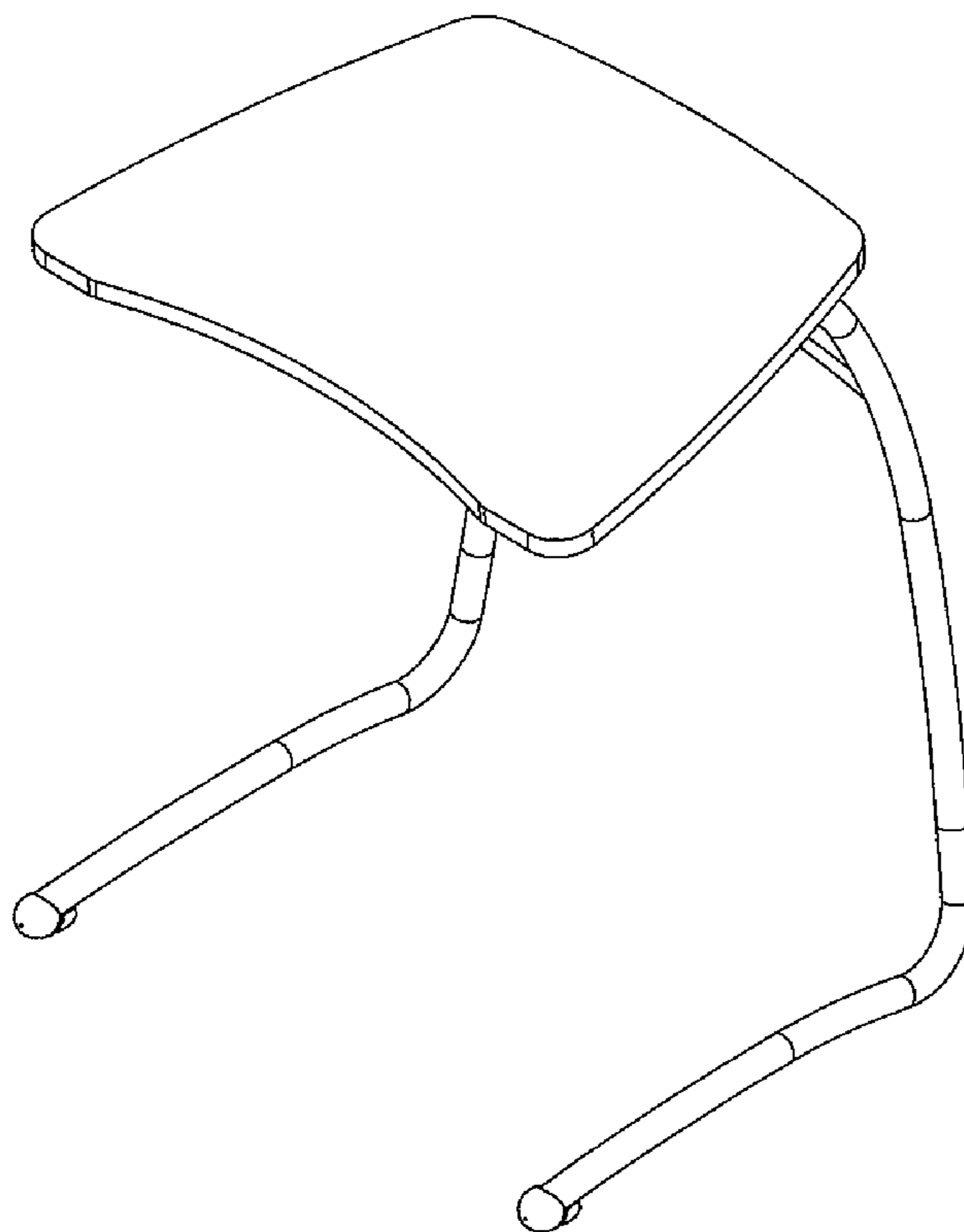
**U.S. PATENT DOCUMENTS**

2,857,228 A \* 10/1958 Koett ..... 108/115  
D376,931 S \* 12/1996 Fewchuk ..... D6/425  
D474,356 S \* 5/2003 Bosman et al. .... D6/487  
D501,336 S \* 2/2005 Lin ..... D6/429  
6,874,429 B2 \* 4/2005 Bosman et al. .... 108/59

FIG. 6 is an opposite side view of the cantilever desk of the present invention; and,

FIG. 7 is a bottom view of the cantilever desk of the present invention.

**1 Claim, 7 Drawing Sheets**



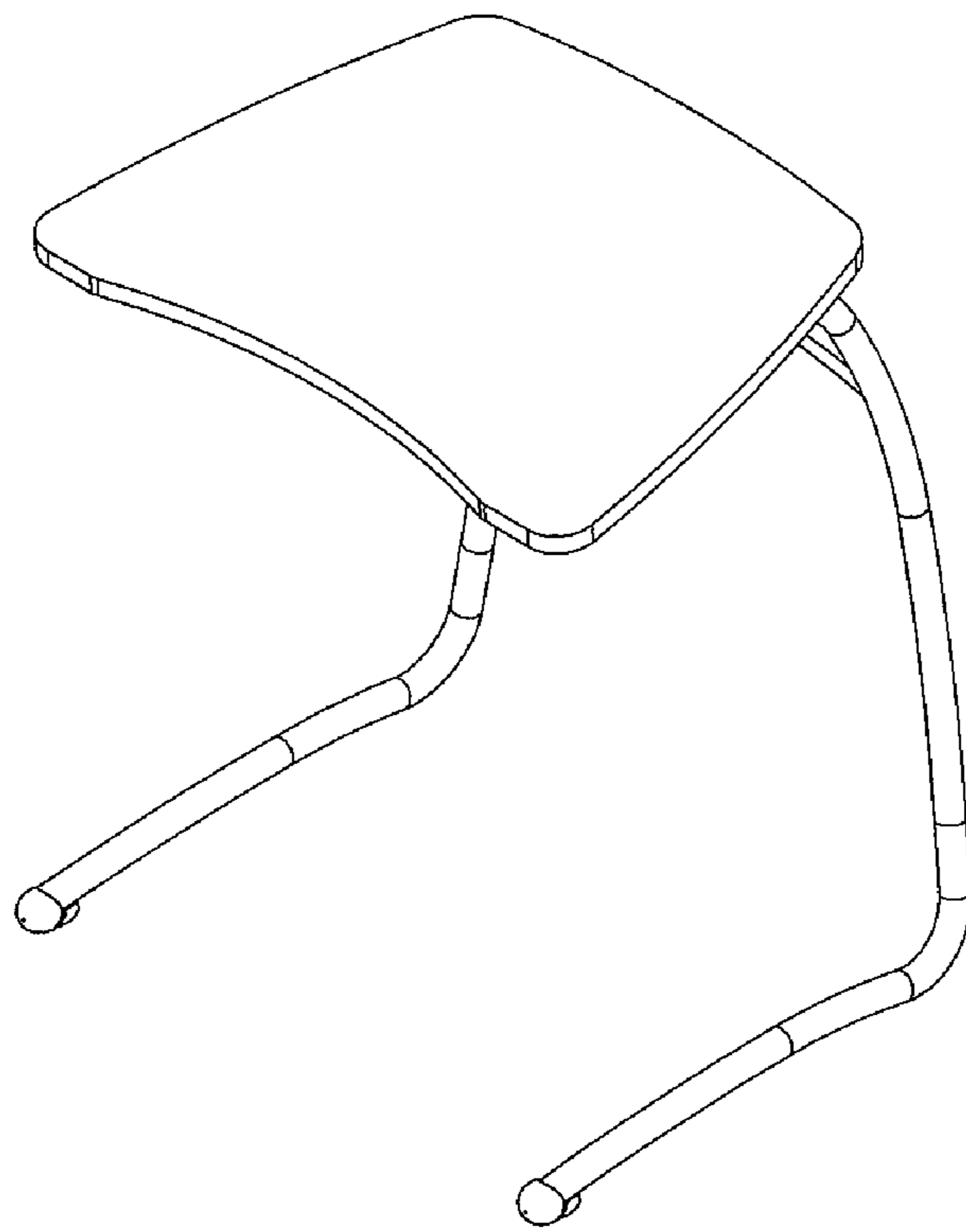


FIG. 1

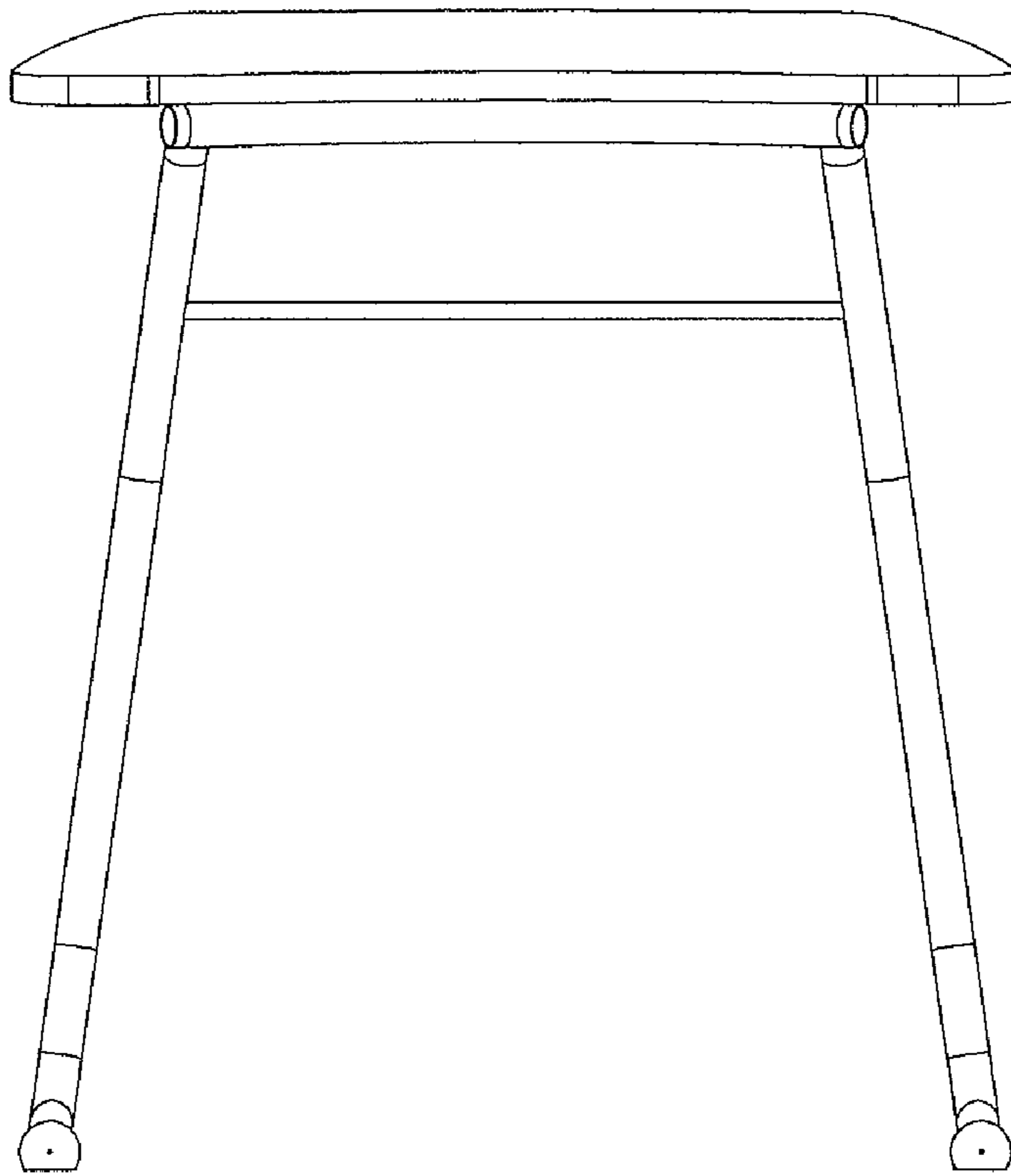


FIG. 2

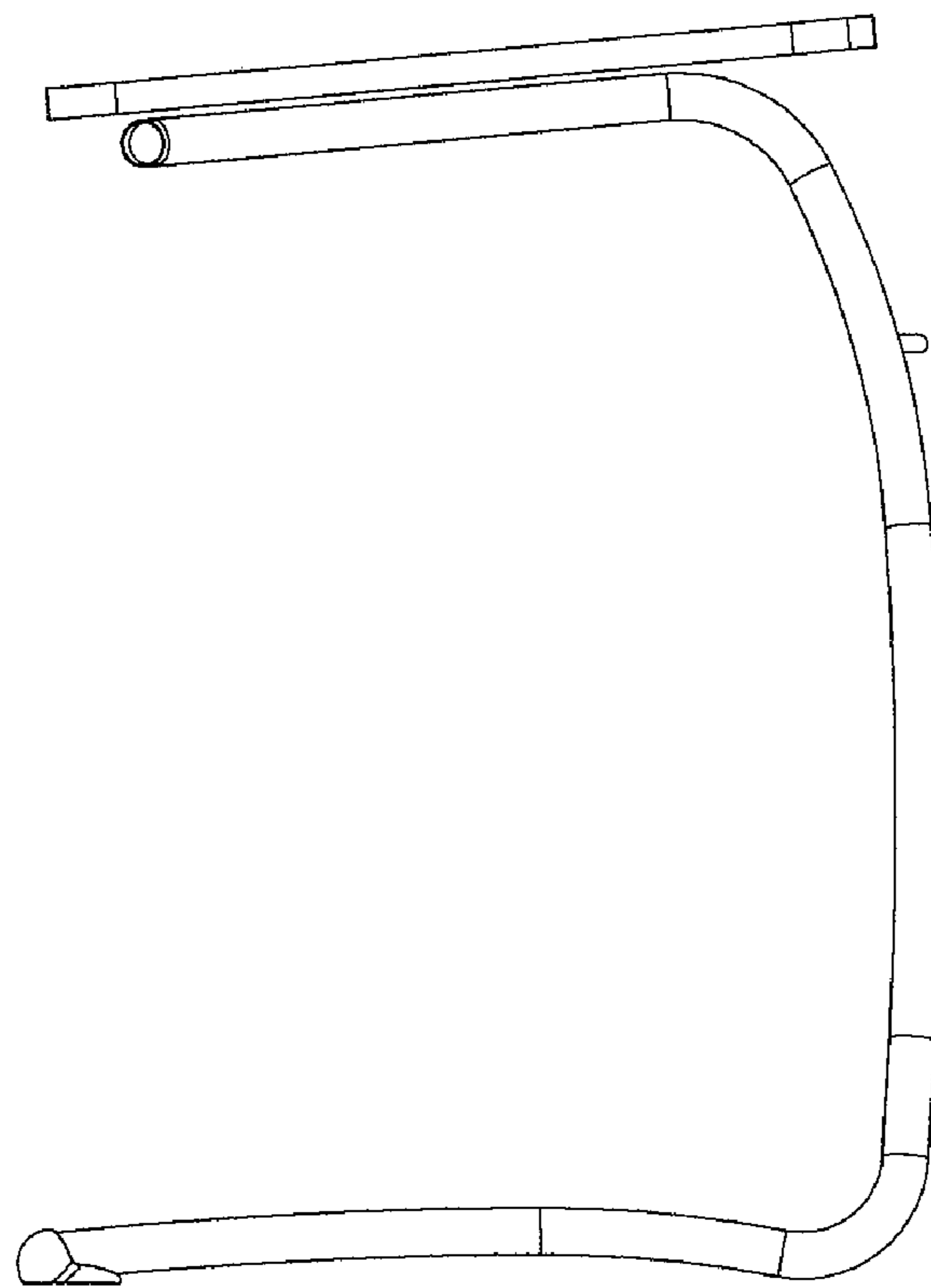


FIG. 3

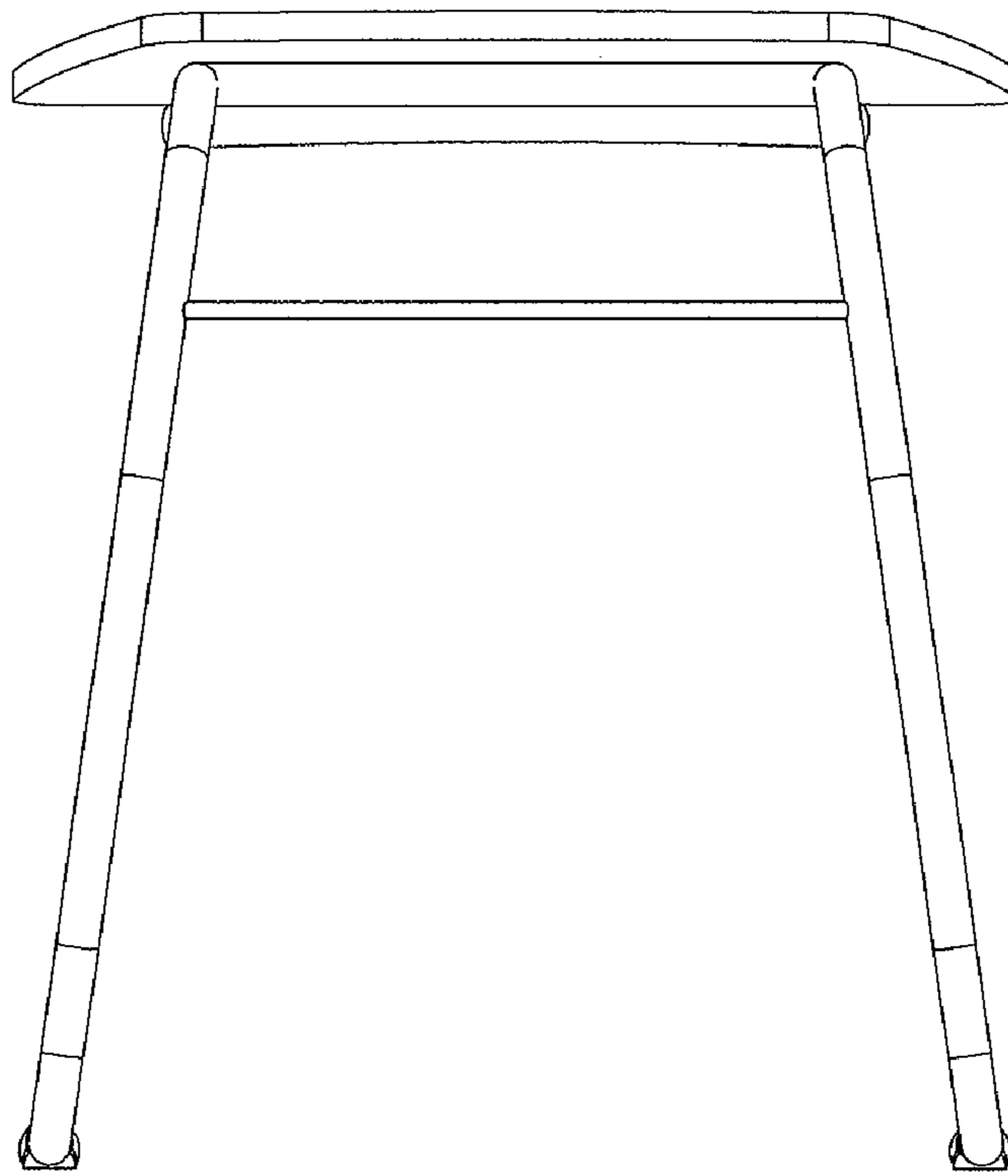


FIG. 4

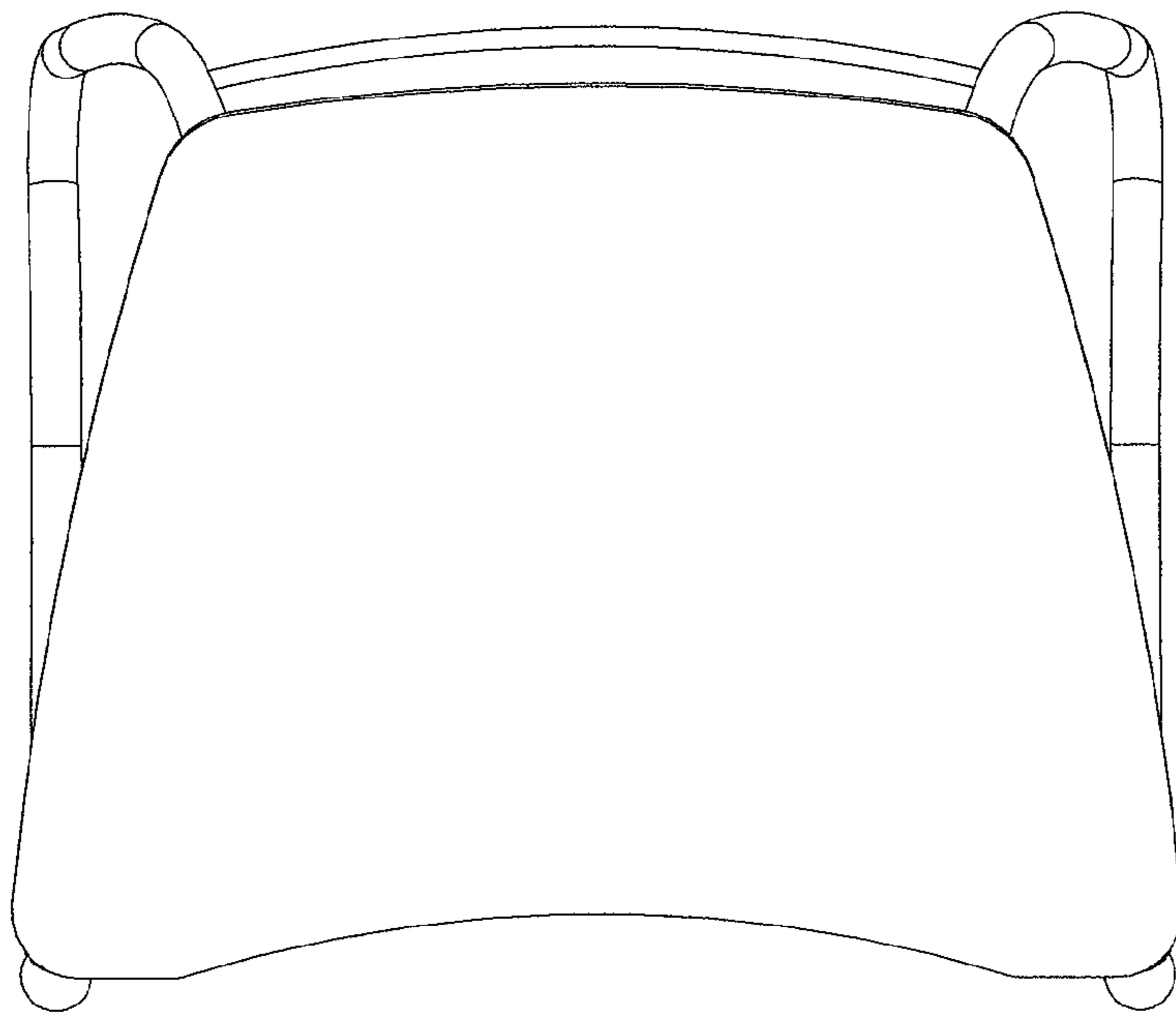


FIG. 5

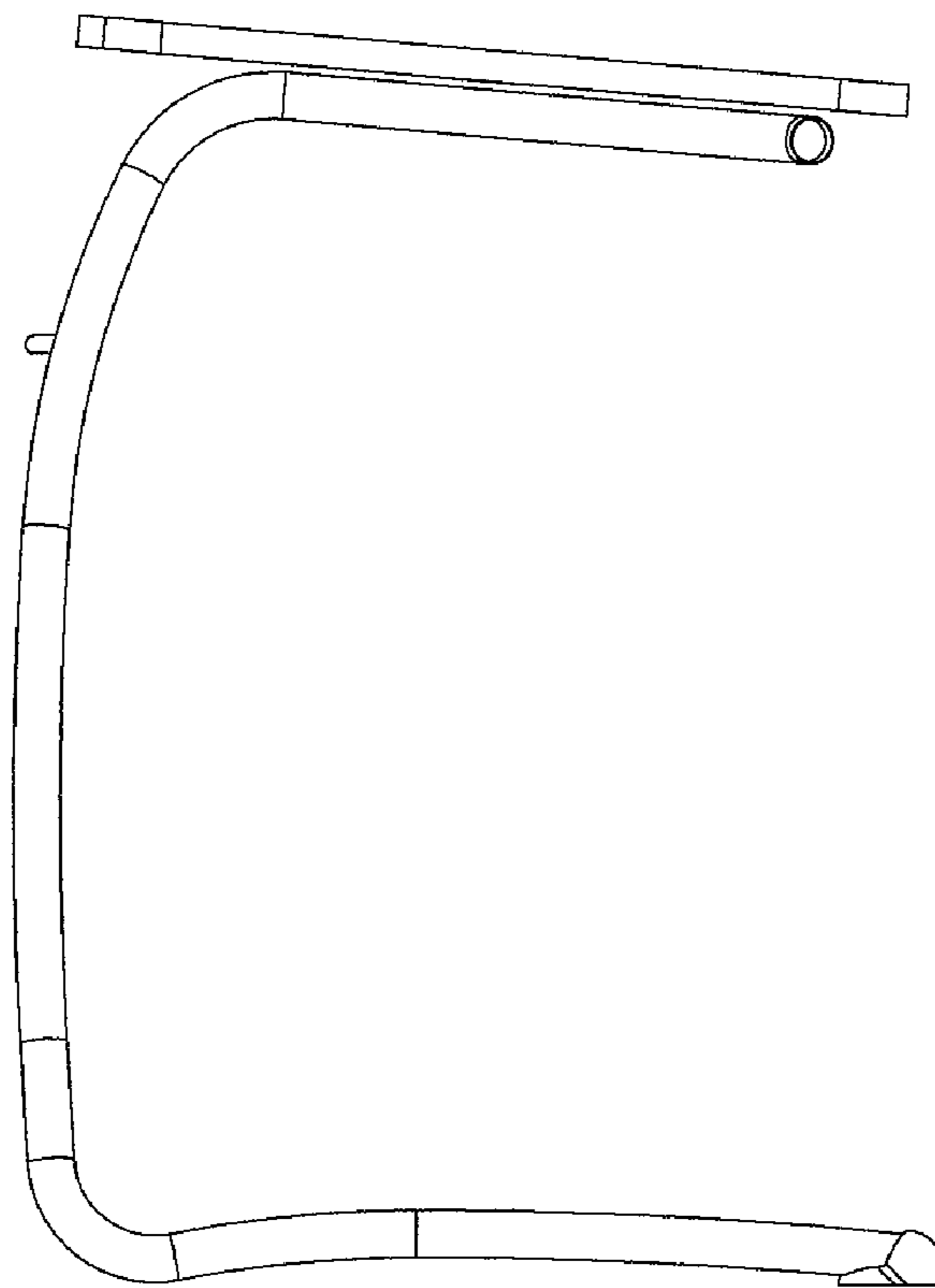


FIG. 6

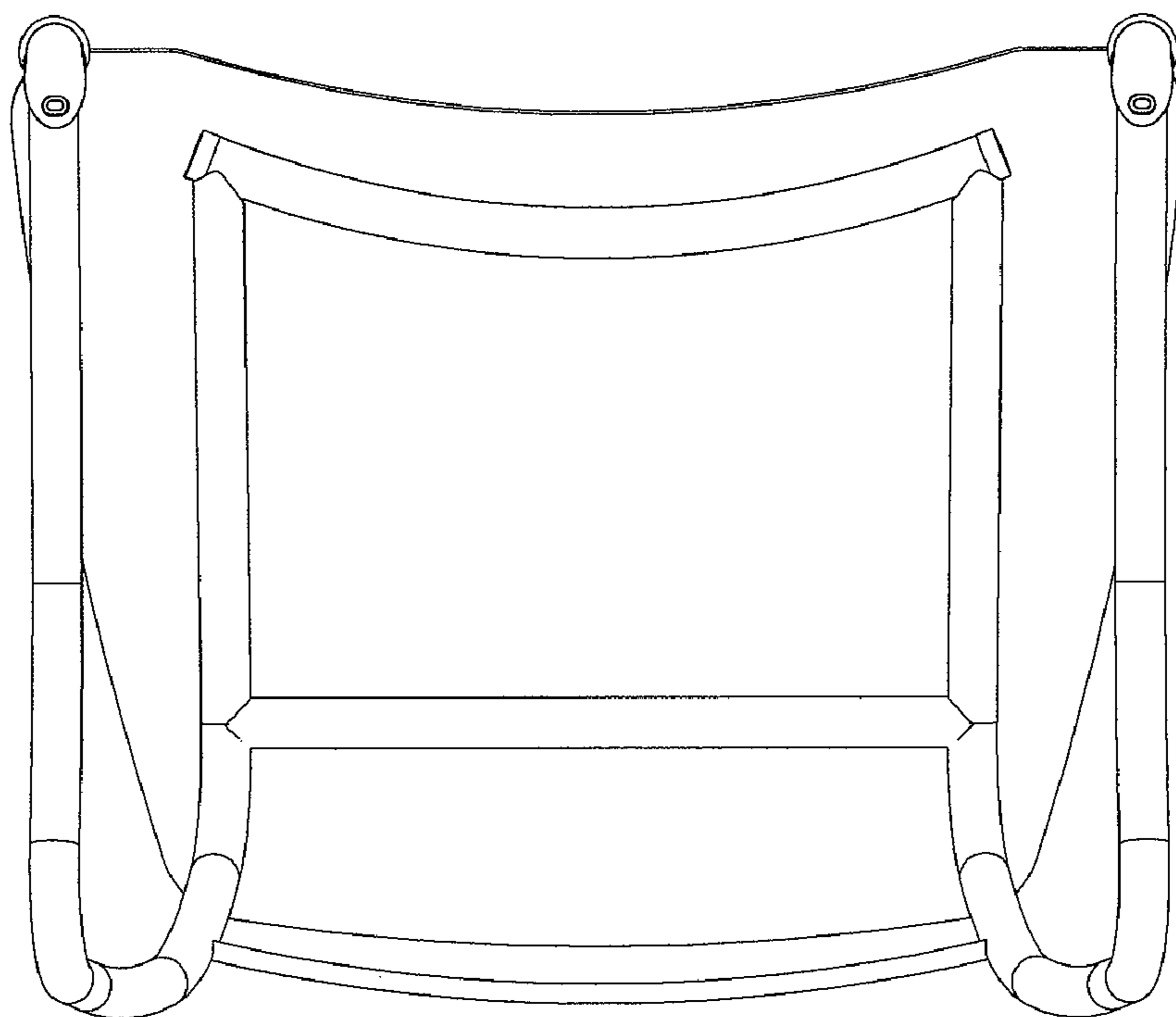


FIG. 7