



US00D627177S

(12) **United States Design Patent**  
**Mead et al.**

(10) **Patent No.:** **US D627,177 S**

(45) **Date of Patent:** **\*\* Nov. 16, 2010**

(54) **WORKSTATION**

(75) Inventors: **Karl J. Mead**, East Grand Rapids, MI (US); **Alan E. Rheault**, Grand Rapids, MI (US); **George K. Vangelatos**, Fair Oaks, CA (US)

(73) Assignee: **Steelcase Inc.**, Grand Rapids, MI (US)

(\*\*) Term: **14 Years**

(21) Appl. No.: **29/362,244**

(22) Filed: **May 21, 2010**

**Related U.S. Application Data**

(62) Division of application No. 29/335,630, filed on Apr. 17, 2009, now Pat. No. Des. 619,389.

(51) **LOC (9) Cl.** ..... **06-03**

(52) **U.S. Cl.** ..... **D6/482; D6/486**

(58) **Field of Classification Search** ..... D6/480-489, D6/429-431, 511, 495, 496; 108/150, 151, 108/152, 153.1, 157.1, 161, 64, 66; 248/188, 248/188.1, 188.8

See application file for complete search history.

(56) **References Cited**

U.S. PATENT DOCUMENTS

D613,526 S \* 4/2010 Priestman ..... D6/486

\* cited by examiner

*Primary Examiner*—Janice E Seeger

(74) *Attorney, Agent, or Firm*—Price, Heneveld, Cooper, DeWitt & Litton, LLP

(57) **CLAIM**

We claim the ornamental design for a workstation, as shown and described.

**DESCRIPTION**

FIG. 1 is a perspective view of a top, front and right side of a workstation;

FIG. 2 is a front elevational view of the workstation;

FIG. 3 is a rear elevational view of the workstation;

FIG. 4 is a left side elevational view of the workstation;

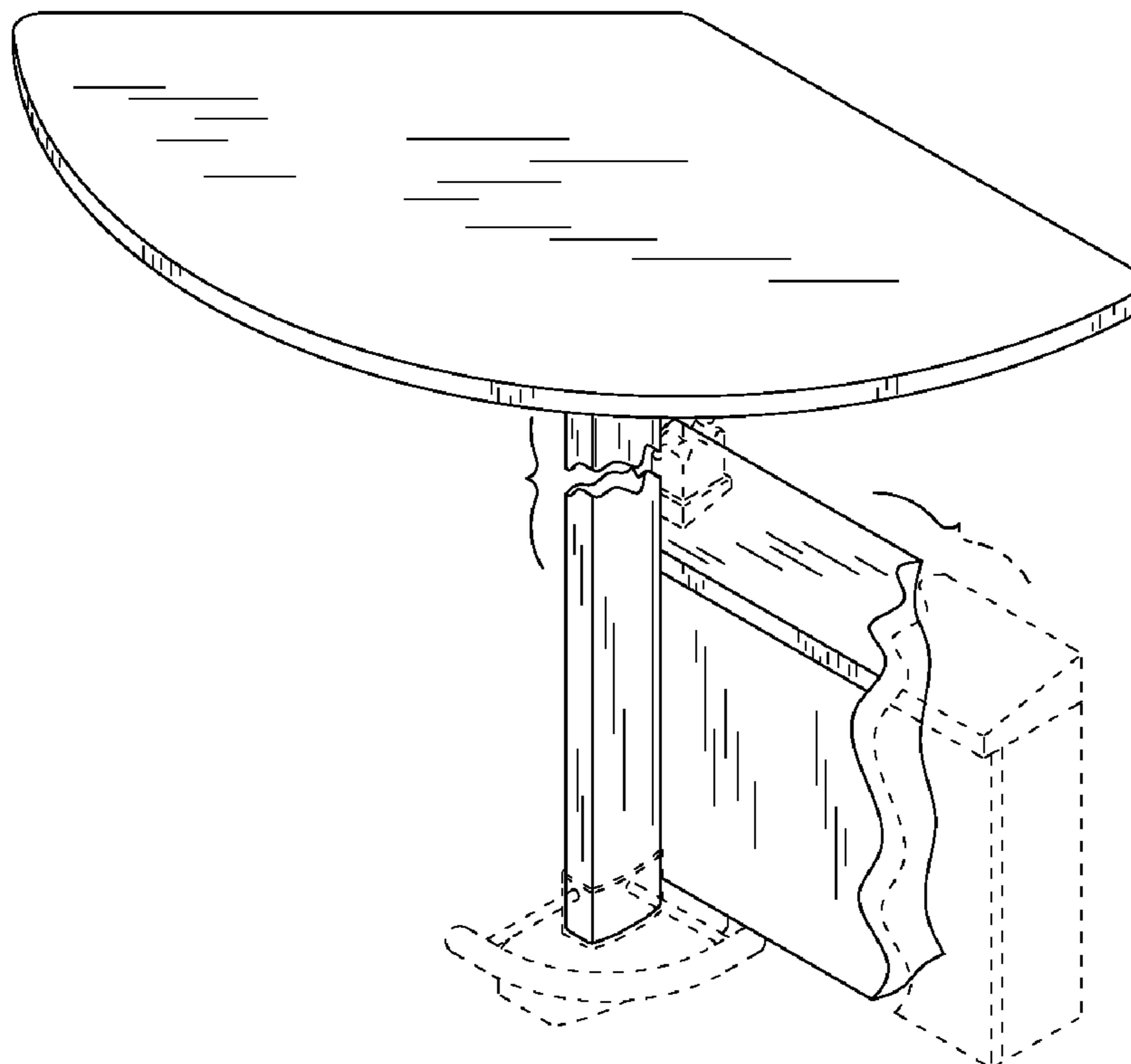
FIG. 5 is a right side elevational view of the workstation;

FIG. 6 is a top plan view of the workstation; and,

FIG. 7 is a bottom plan view of the workstation.

Dashed lines and broken lines are for the purposes of illustrating environmental structure, and form no part of the claimed design.

**1 Claim, 2 Drawing Sheets**



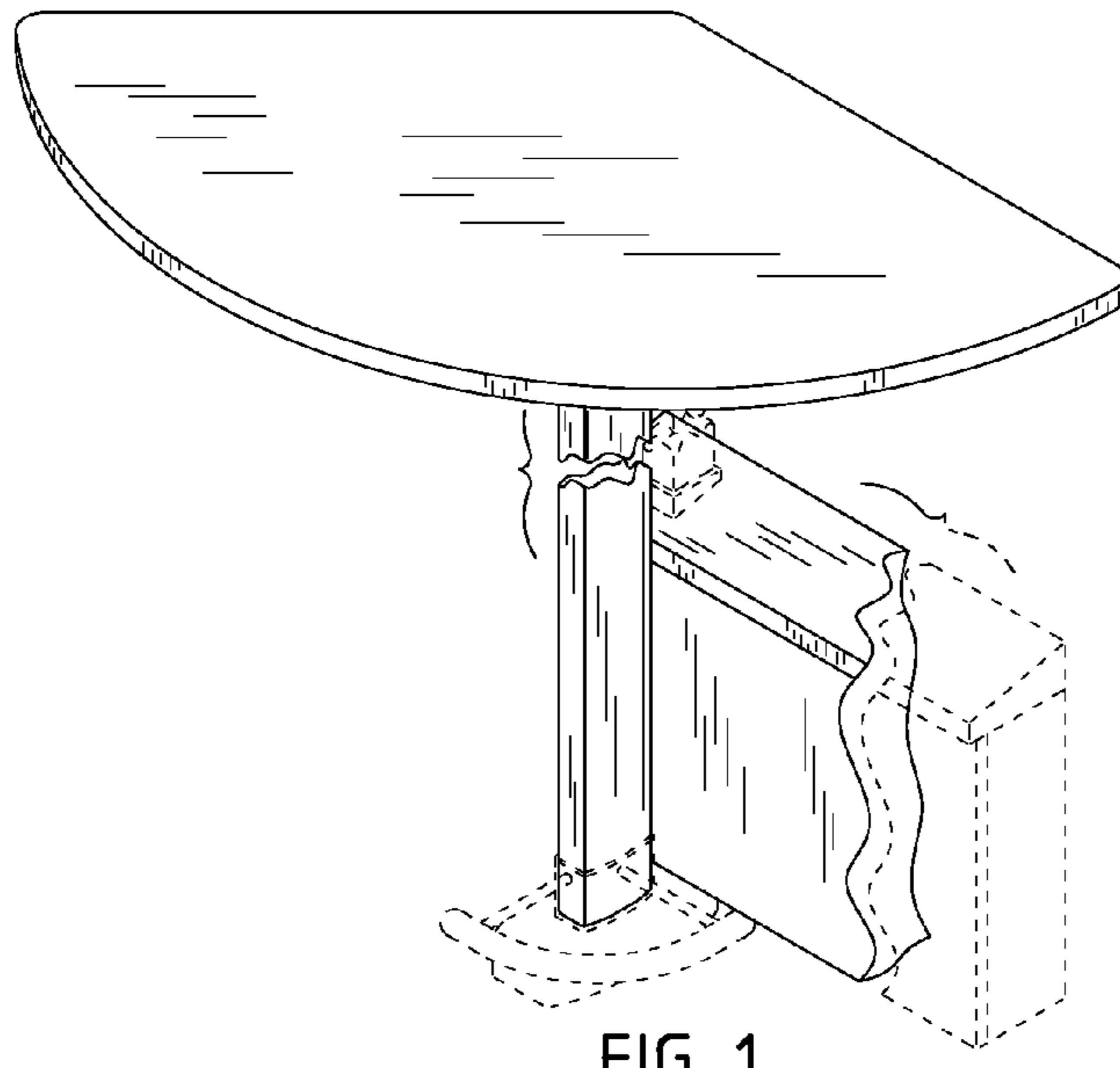


FIG. 1

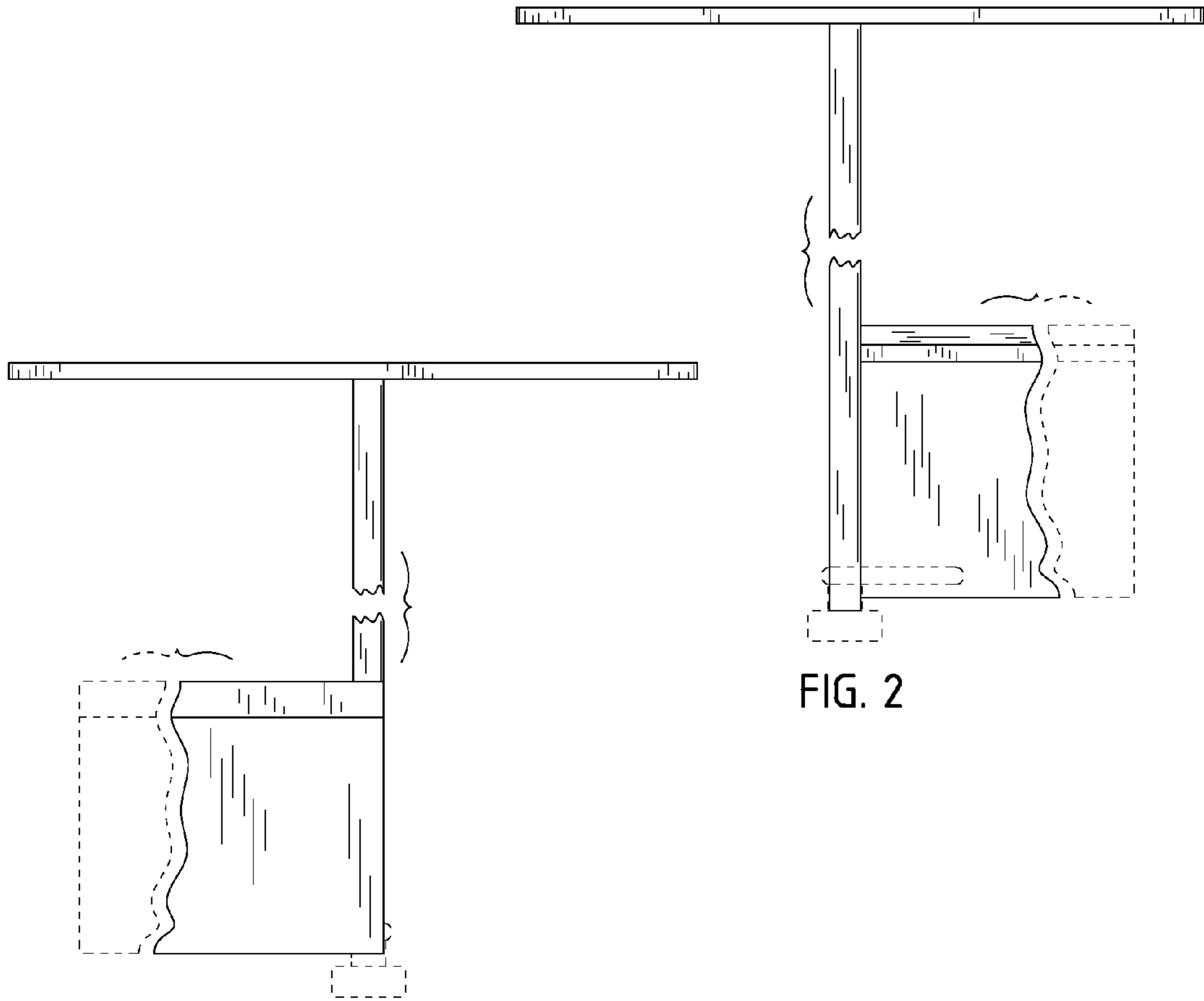


FIG. 2

FIG. 3

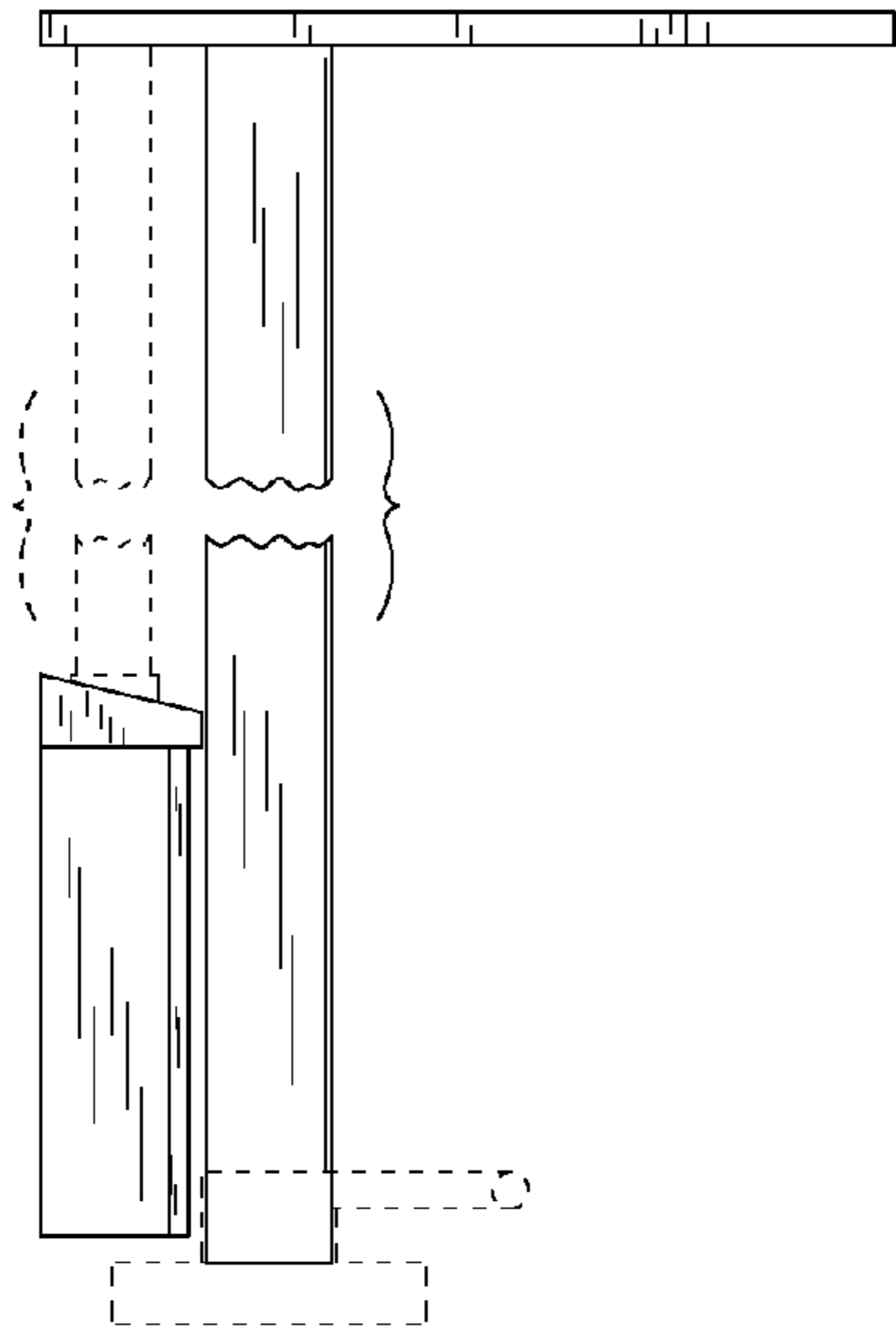


FIG. 4

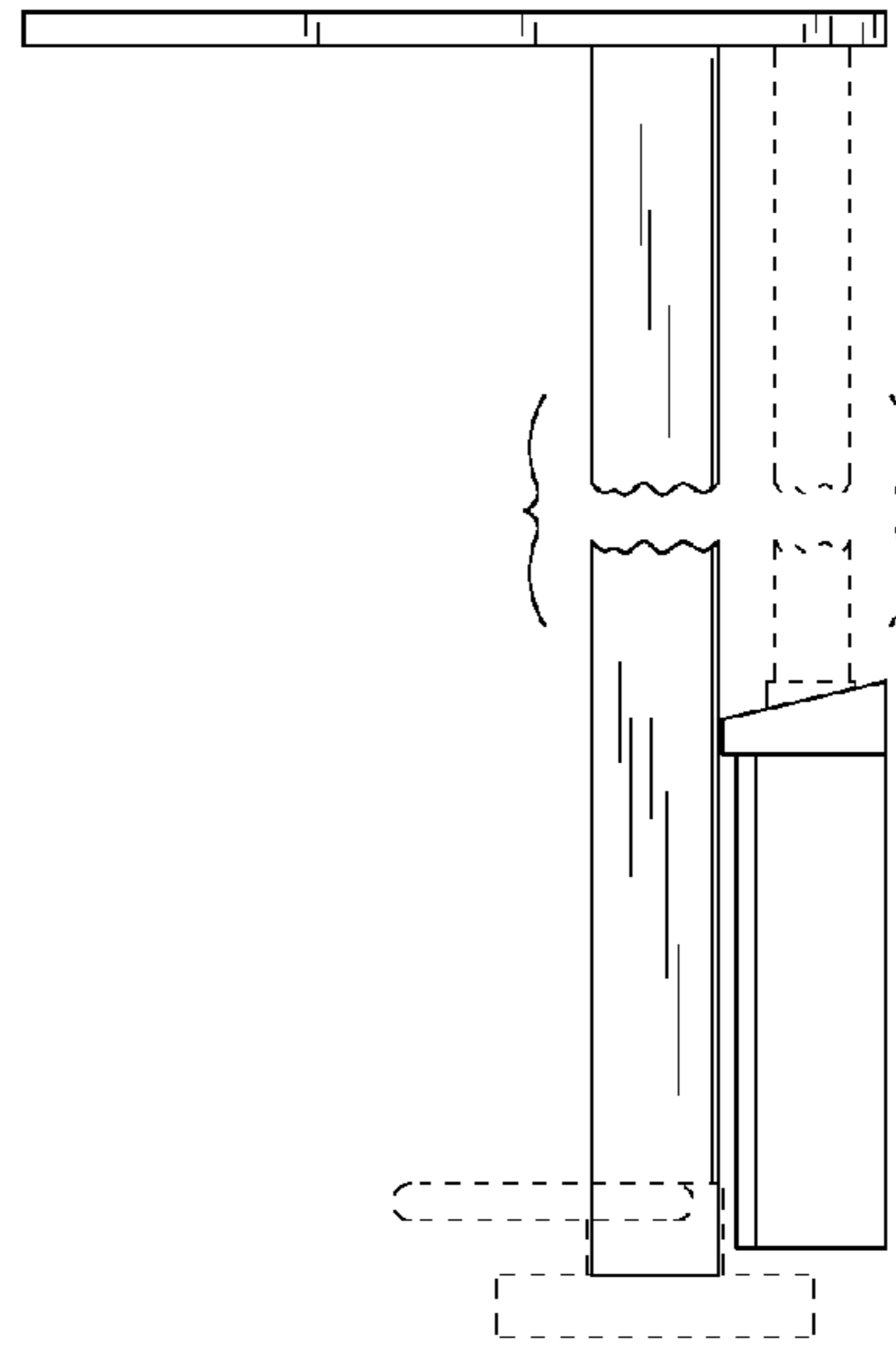


FIG. 5

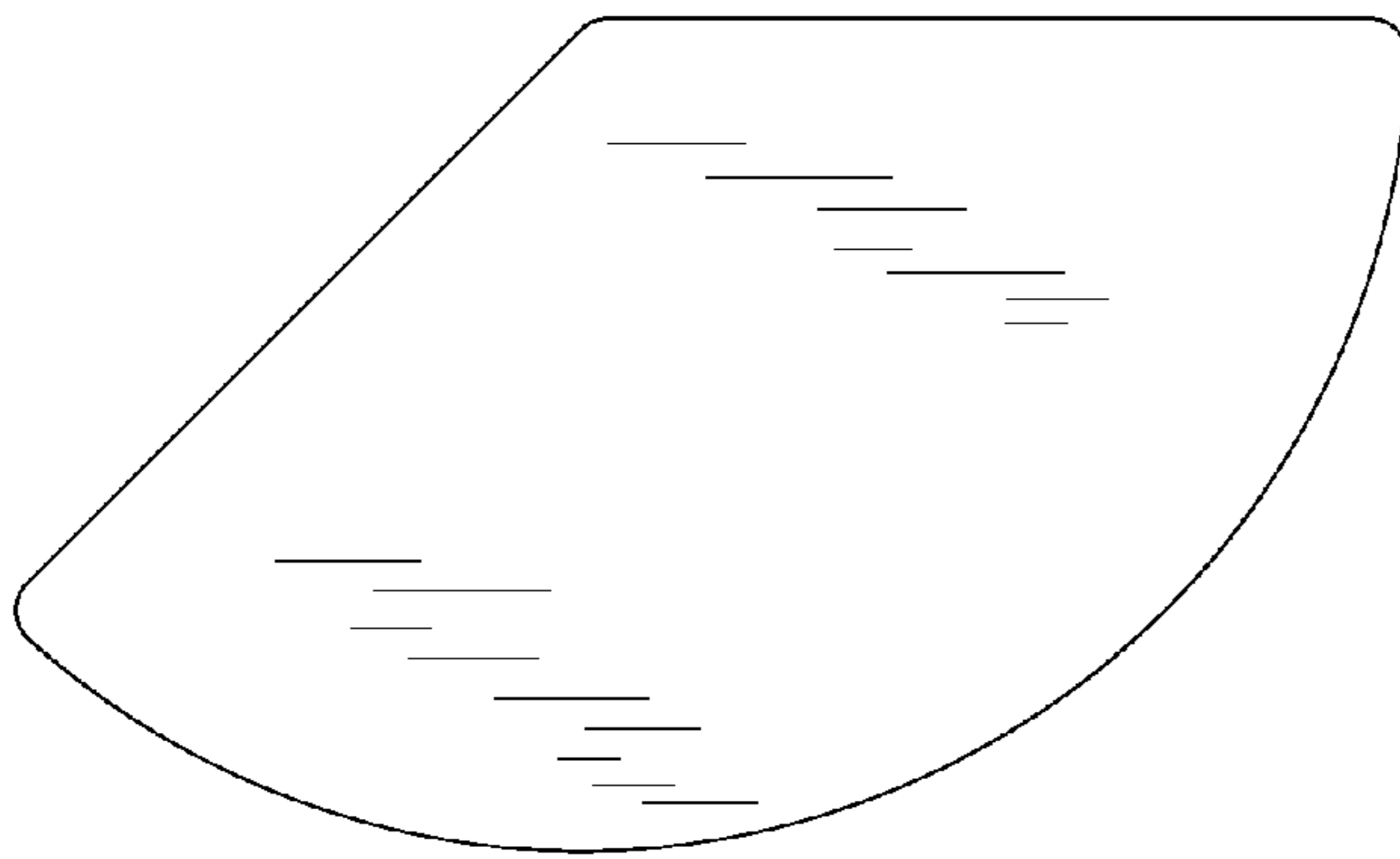


FIG. 6

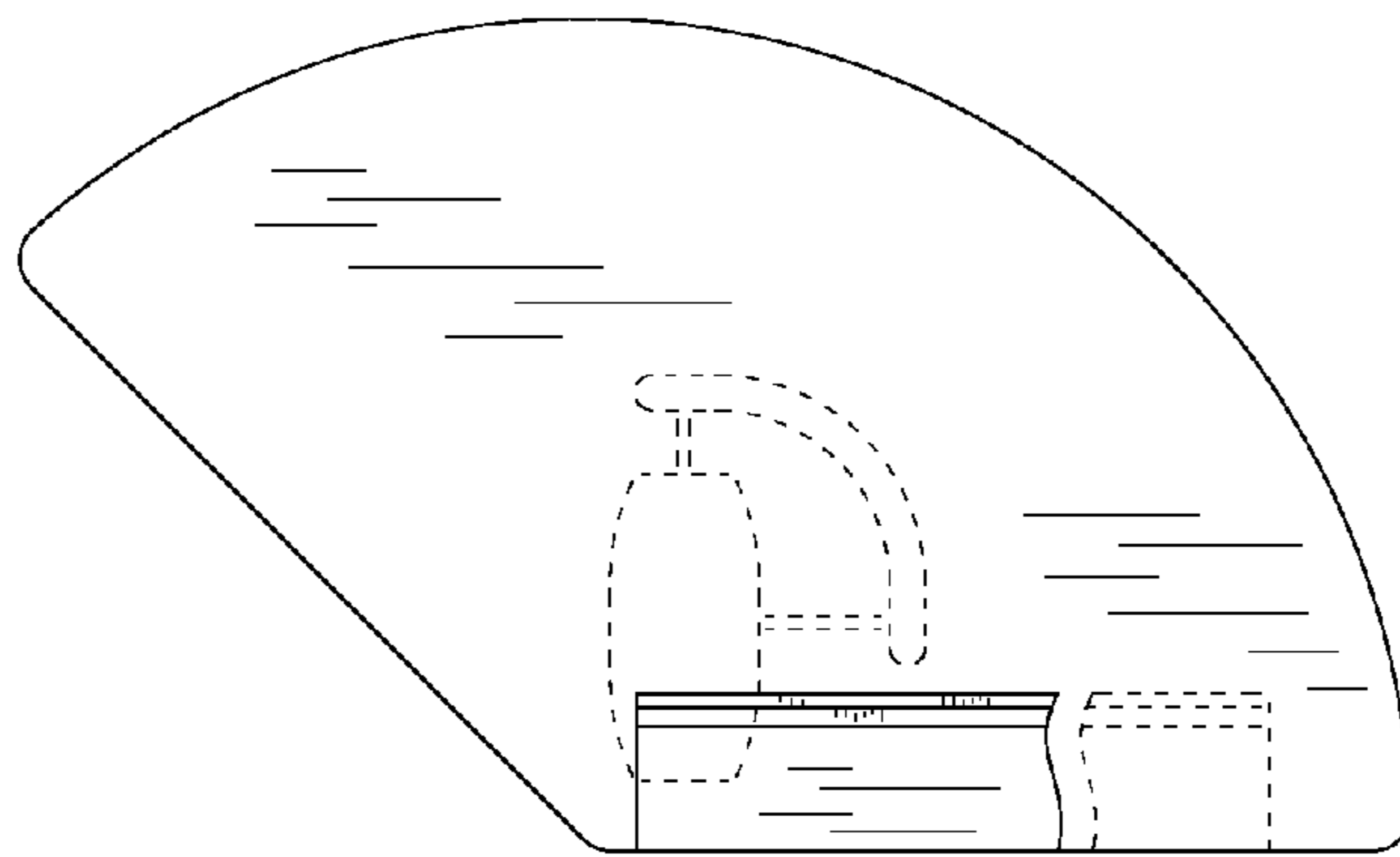


FIG. 7