



US00D627176S

(12) **United States Design Patent**
Lin

(10) **Patent No.:** **US D627,176 S**
(45) **Date of Patent:** **** Nov. 16, 2010**

(54) **BAR COUNTER**

(75) Inventor: **Mark Lin**, Chang Hua Hsien (TW)

(73) Assignee: **Awesome Furniture Co., Ltd.**, Chang Hua Hsien (TW)

(**) Term: **14 Years**

(21) Appl. No.: **29/350,822**

(22) Filed: **Nov. 24, 2009**

(51) **LOC (9) Cl.** **06-04**

(52) **U.S. Cl.** **D6/481**

(58) **Field of Classification Search** D34/12,
D34/17, 21; D6/481, 474, 329, 400, 336,
D6/396; 108/59, 106-107; 211/13.1, 133.1,
211/128.1

See application file for complete search history.

(56) **References Cited**

U.S. PATENT DOCUMENTS

D279,740 S *	7/1985	Slager	D6/478
D288,750 S *	3/1987	Friedman	D6/429
D305,585 S *	1/1990	Wright	D6/426
D323,437 S *	1/1992	Hashimoto et al.	D6/436
D343,534 S *	1/1994	Holsapple	D6/436
D379,724 S *	6/1997	Lo	D6/436
D405,580 S *	2/1999	Vanderminden	D34/24
D415,365 S *	10/1999	Nicklas	D6/400

D477,931 S *	8/2003	Chang	D6/422
D497,060 S *	10/2004	Chang	D6/477
D499,577 S *	12/2004	Willy	D6/436
D524,580 S *	7/2006	Chang	D6/480
D547,971 S *	8/2007	Lachance et al.	D6/426
D573,369 S *	7/2008	Sparkowski	D6/463
D575,550 S *	8/2008	Chang	D6/425
D597,266 S *	7/2009	Simpson et al.	D30/199

* cited by examiner

Primary Examiner—Elizabeth A Albert

Assistant Examiner—Kelley A Donnelly

(74) *Attorney, Agent, or Firm*—Alan Kamrath; Kamrath & Associates PA

(57) **CLAIM**

The ornamental design for a bar counter, as shown and described.

DESCRIPTION

FIG. 1 is a perspective view of a bar counter showing my design;

FIG. 2 is a front elevational view thereof;

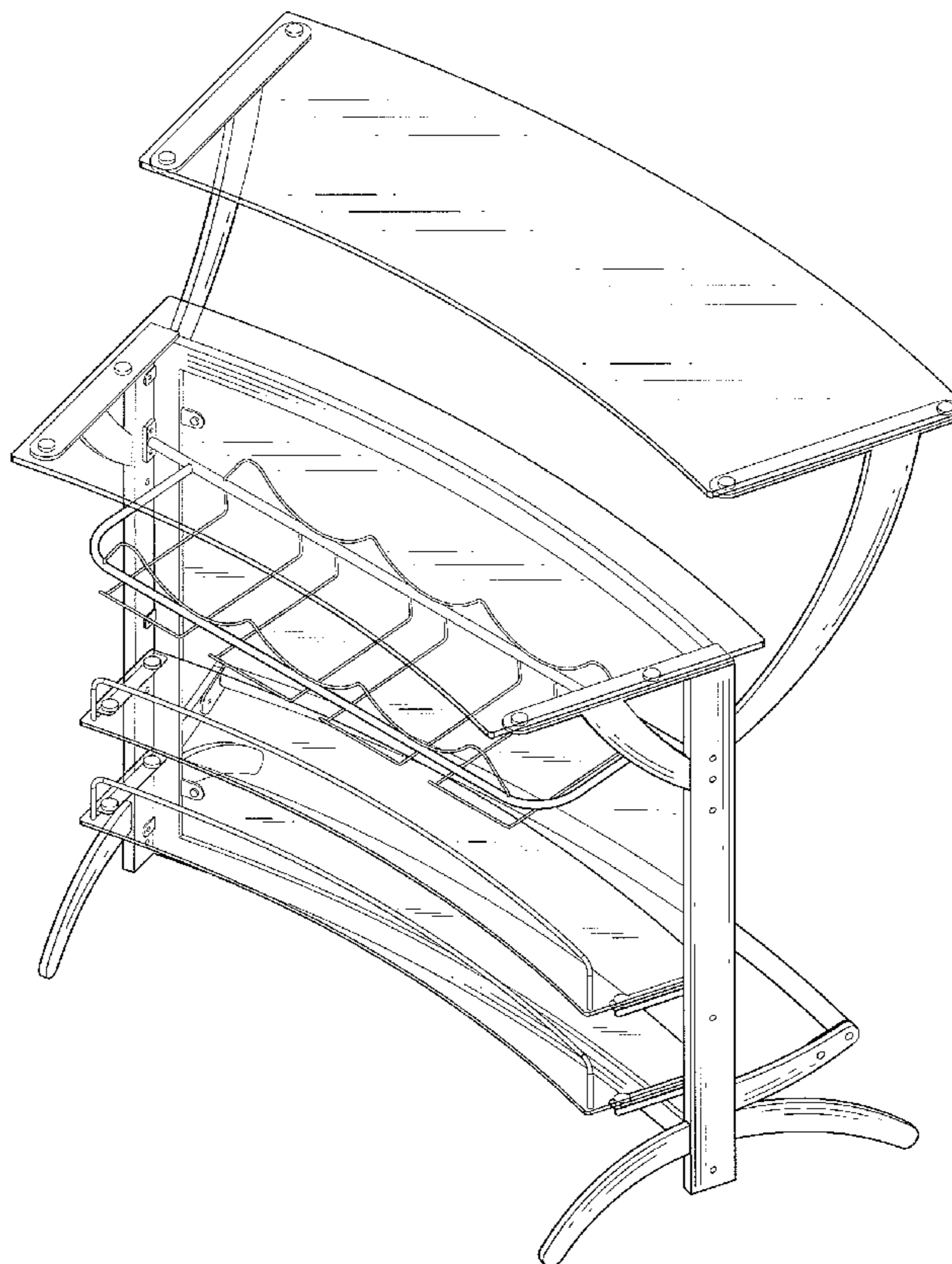
FIG. 3 is a rear elevational view thereof;

FIG. 4 is a left side elevational view thereof;

FIG. 5 is a right side elevational view thereof; and,

FIG. 6 is a top plan view thereof.

1 Claim, 6 Drawing Sheets



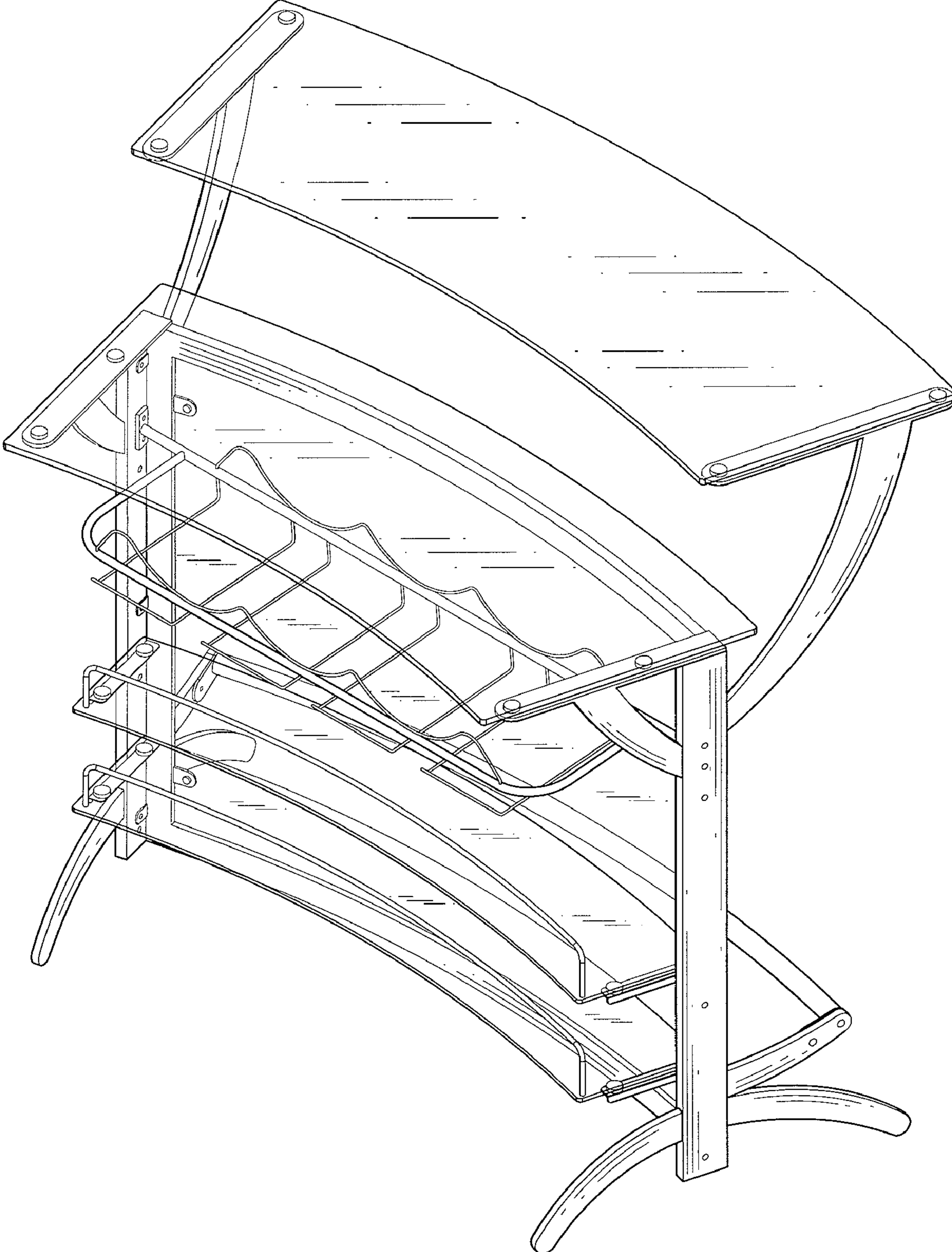


FIG. 1

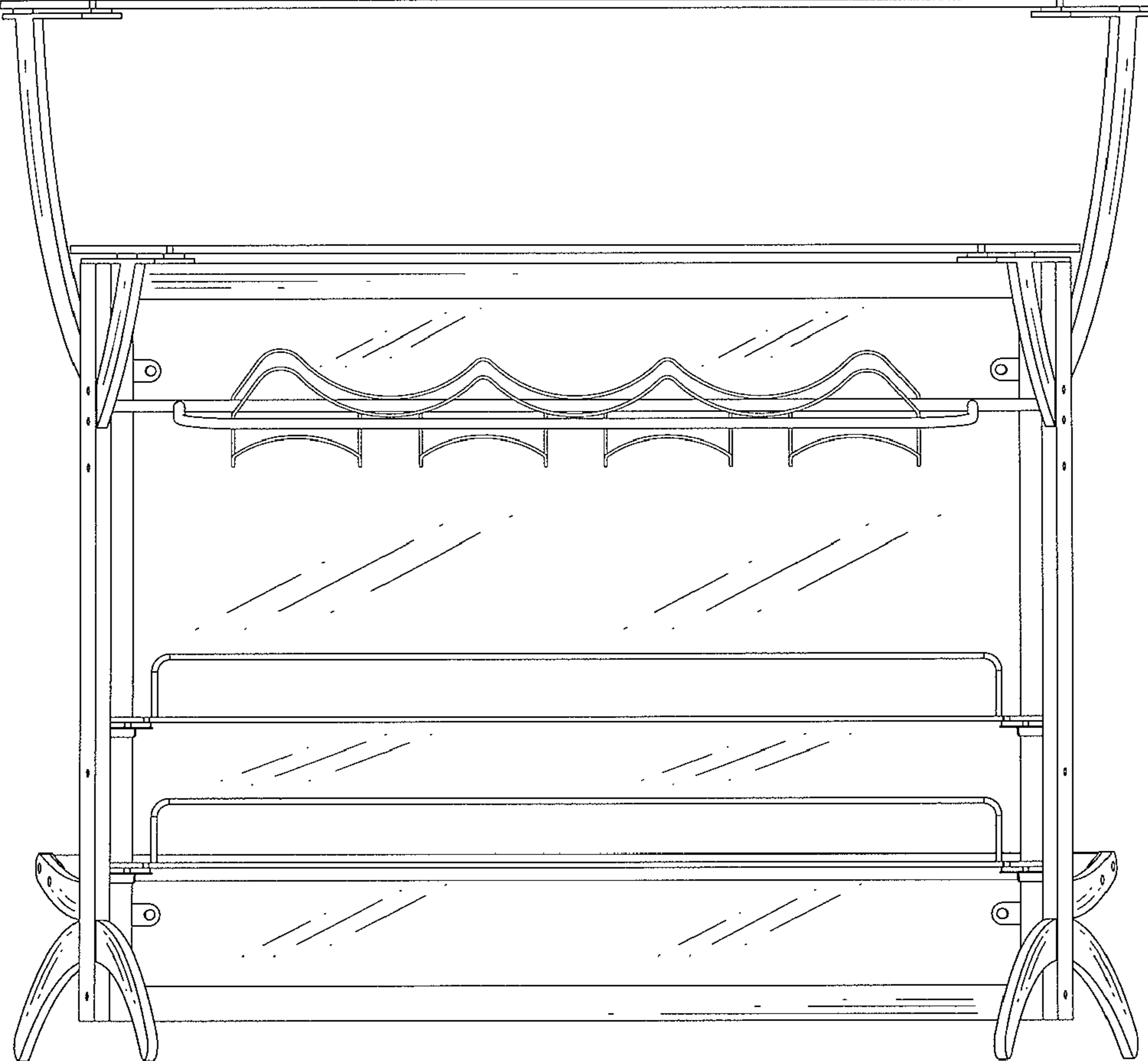


FIG. 2

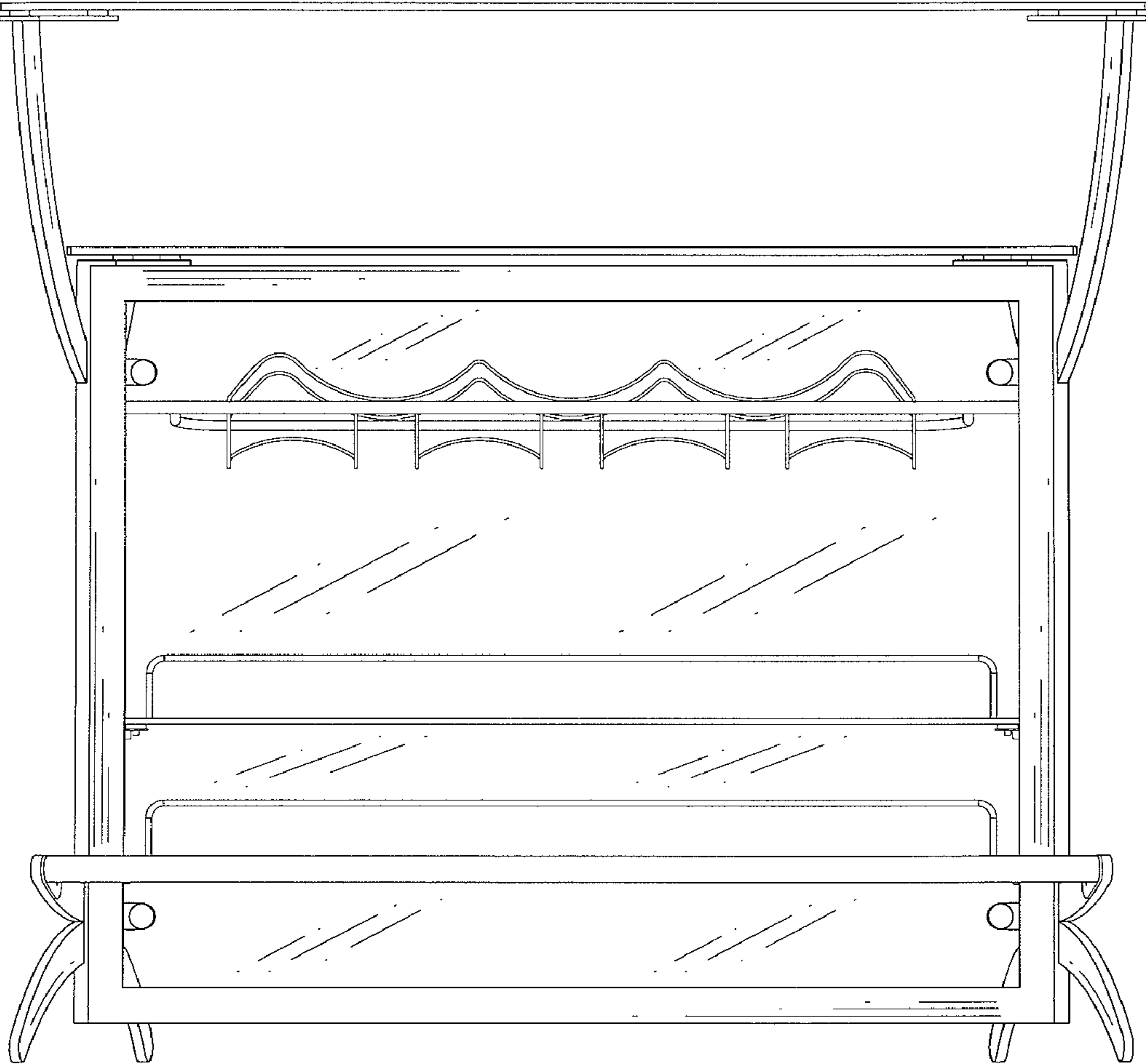


FIG. 3

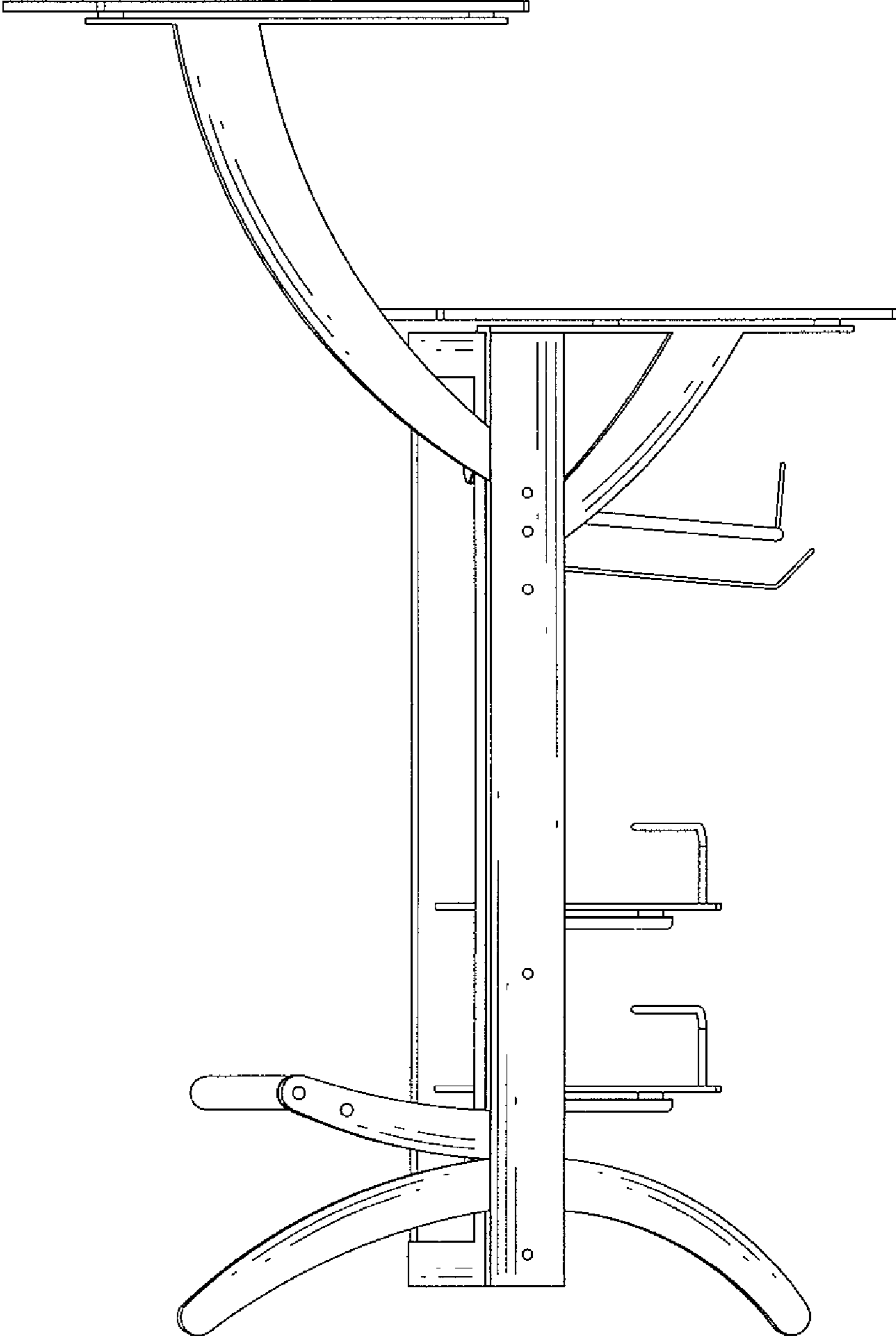


FIG. 4

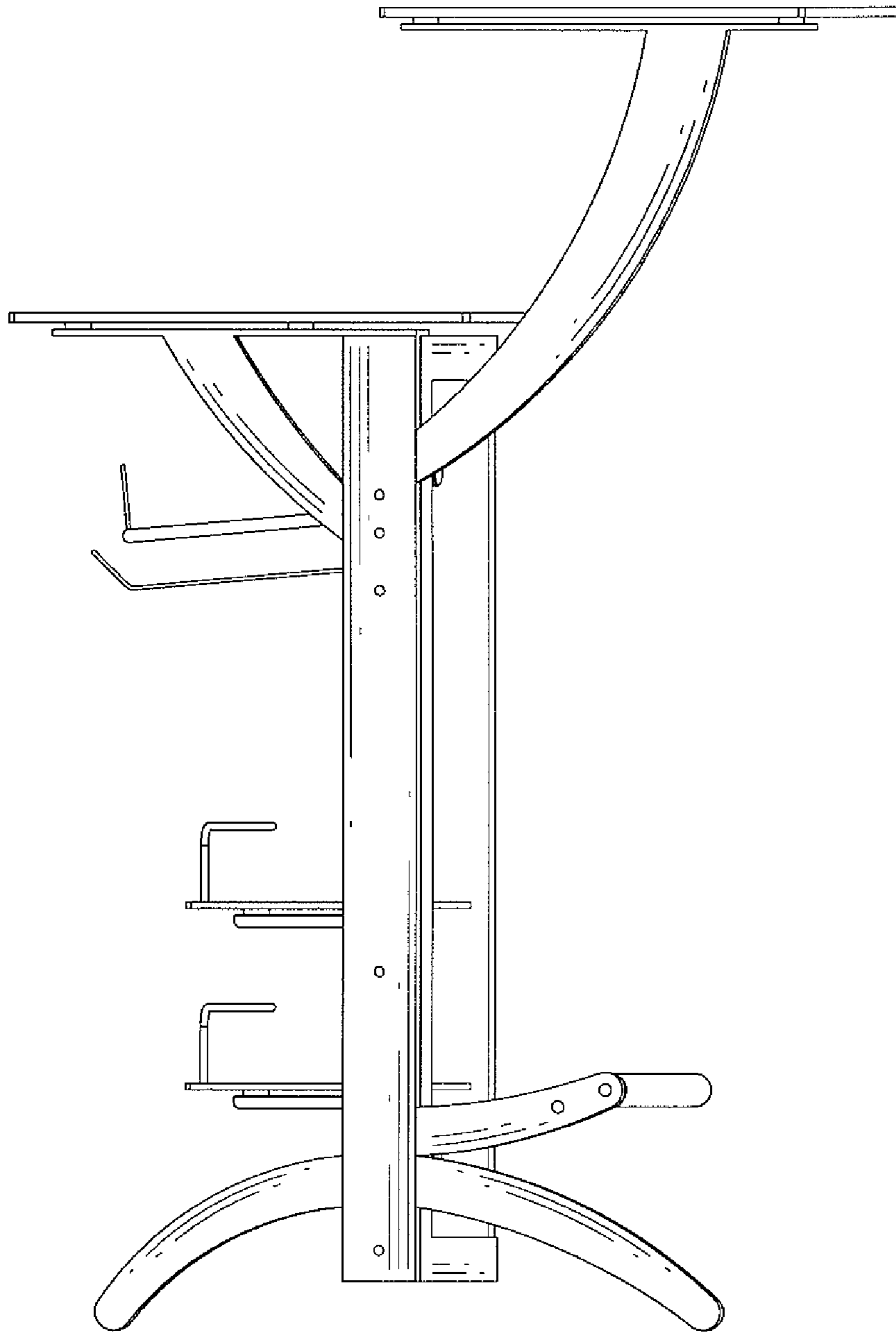


FIG. 5

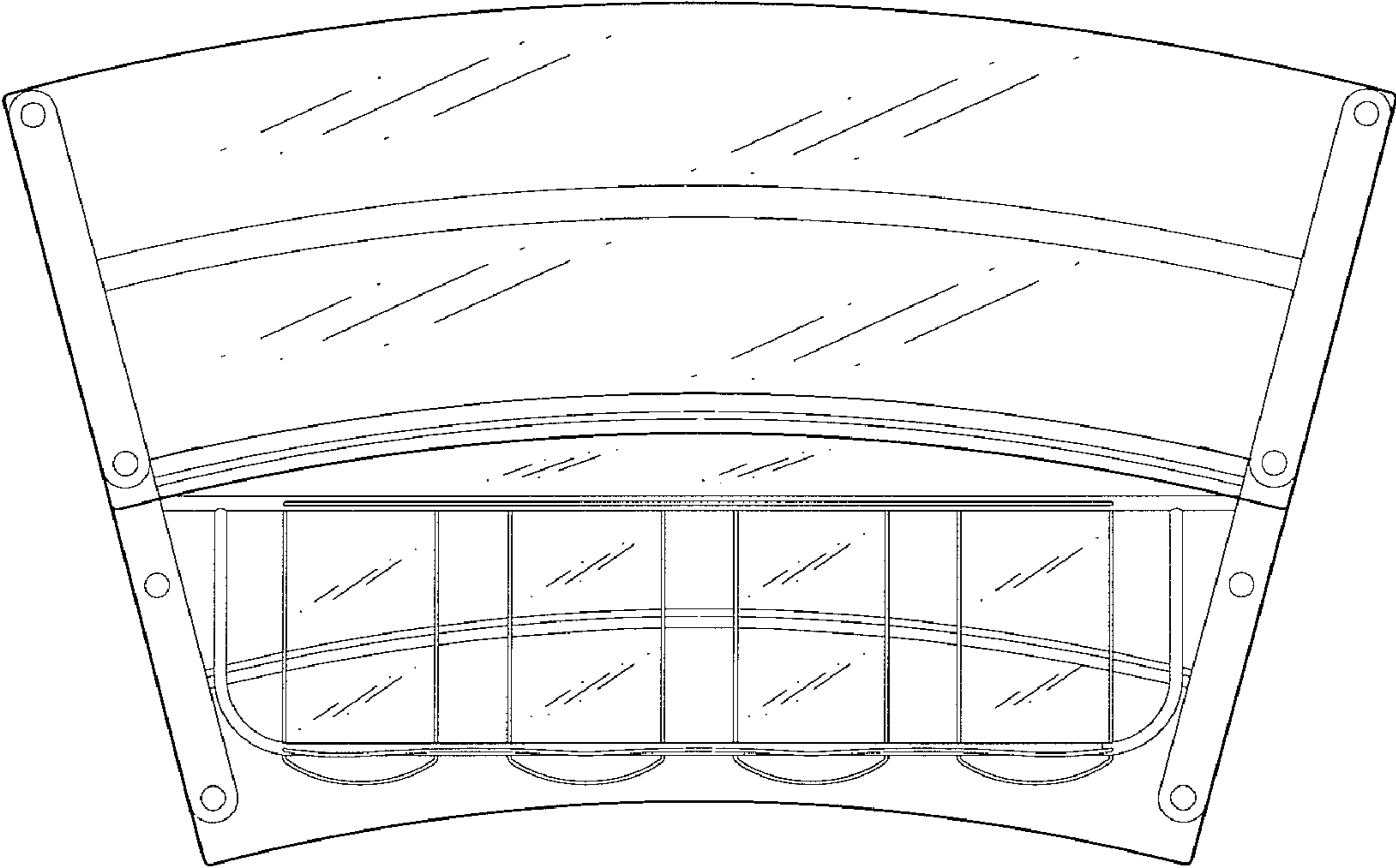


FIG. 6