



US00D627175S

(12) **United States Design Patent**  
**Chan**

(10) **Patent No.:** **US D627,175 S**  
(45) **Date of Patent:** **\*\* Nov. 16, 2010**

(54) **MESSAGE CHAIR**

2010/0145245 A1\* 6/2010 Chen ..... 601/149  
\* cited by examiner

(75) Inventor: **Alain Chan**, Perak (MY)

*Primary Examiner*—Mimosa De

(73) Assignee: **Human Touch, LLC**, Long Beach, CA  
(US)

(74) *Attorney, Agent, or Firm*—Christie, Parker & Hale, LLP

(\*\*) Term: **14 Years**

(57) **CLAIM**

(21) Appl. No.: **29/353,107**

The ornamental design for massage chair, as shown and described.

(22) Filed: **Dec. 31, 2009**

**DESCRIPTION**

(51) **LOC (9) Cl.** ..... **06-01**

FIG. 1 is a front perspective view of a massage chair;

(52) **U.S. Cl.** ..... **D6/367**

FIG. 2 is a left side view of the massage chair of FIG. 1;

(58) **Field of Classification Search** ..... 115/334–336,  
115/361, 367, 371, 373, 374, 375, 379, 500–502;  
297/148, 149, 150, 219.1, 281, 353, 354.1,  
297/423.2, 451.3, 448.1, 452.29, 452.32;  
601/49, 57–59, 97–99, 101, 115, 116, 148,  
601/149

FIG. 3 is a front view of the massage chair of FIG. 1;

FIG. 4 is a rear view of the massage chair of FIG. 1;

FIG. 5 is a top view of the massage chair of FIG. 1;

FIG. 6 is a front perspective view of an alternate embodiment of the massage chair of FIG. 1;

FIG. 7 is a side view of the massage chair of FIG. 6;

FIG. 8 is a front view of the massage chair of FIG. 6;

FIG. 9 is a rear view of the massage chair of FIG. 6;

FIG. 10 is a top view of the massage chair of FIG. 6;

FIG. 11 is a front perspective view of the massage chair of FIG. 1 with the trays in folded state;

FIG. 12 is a side view of the massage chair of FIG. 11;

FIG. 13 is a front view of the massage chair of FIG. 11;

FIG. 14 is a rear view of the massage chair of FIG. 11; and,

FIG. 15 is a top view of the massage chair of FIG. 11.

See application file for complete search history.

(56) **References Cited**

**U.S. PATENT DOCUMENTS**

6,527,343 B2\* 3/2003 Scheurer et al. .... 297/219.1  
D506,085 S \* 6/2005 Ohashi ..... D6/361  
D517,337 S \* 3/2006 Mori ..... D6/367  
D536,892 S \* 2/2007 Lifeng ..... D6/367  
D536,893 S \* 2/2007 Lifeng ..... D6/367  
D537,642 S \* 3/2007 Potter ..... D6/367  
2006/0217643 A1\* 9/2006 Yonekawa et al. .... 601/148  
2009/0306558 A1\* 12/2009 Chen ..... 601/101

**1 Claim, 15 Drawing Sheets**

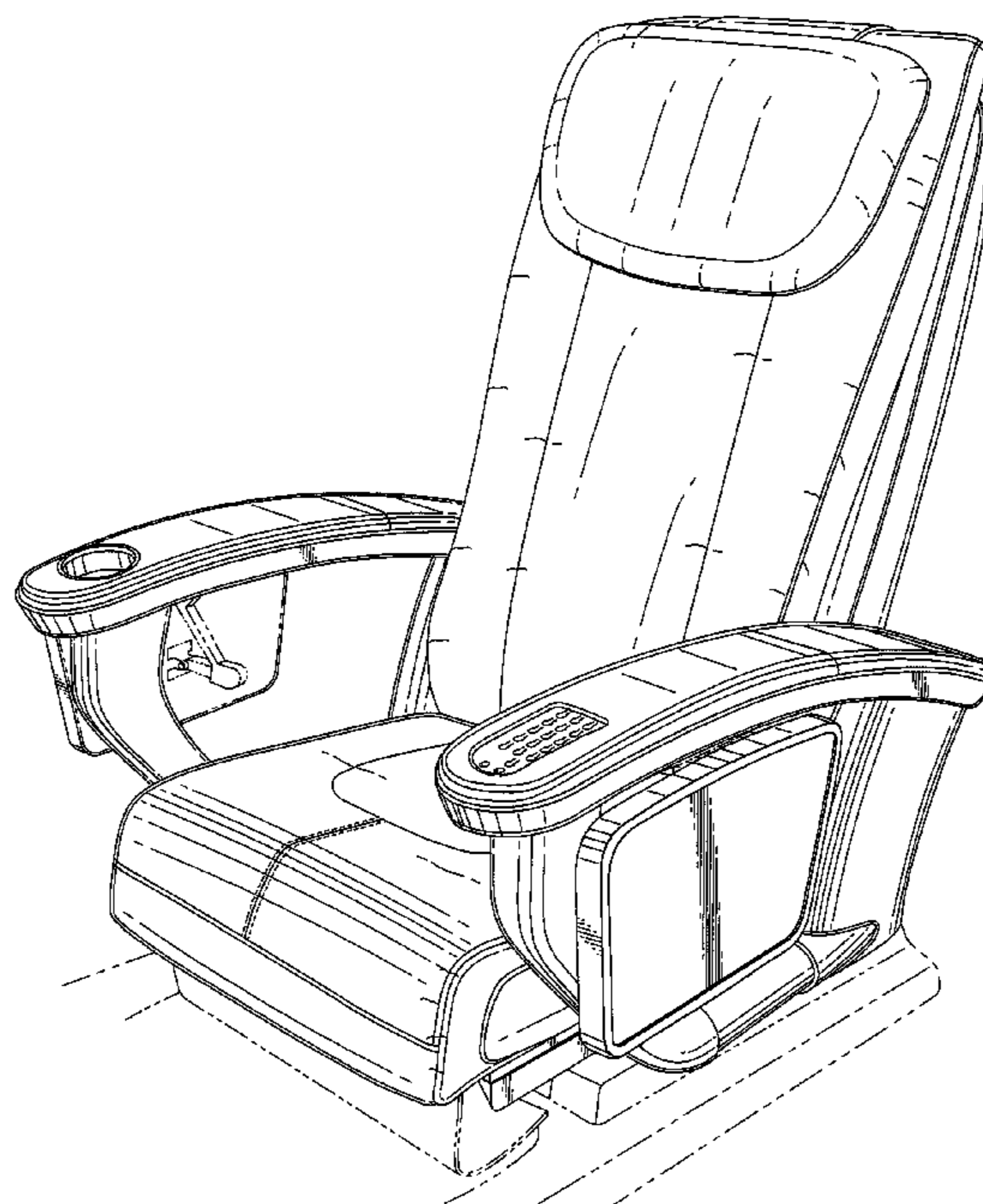
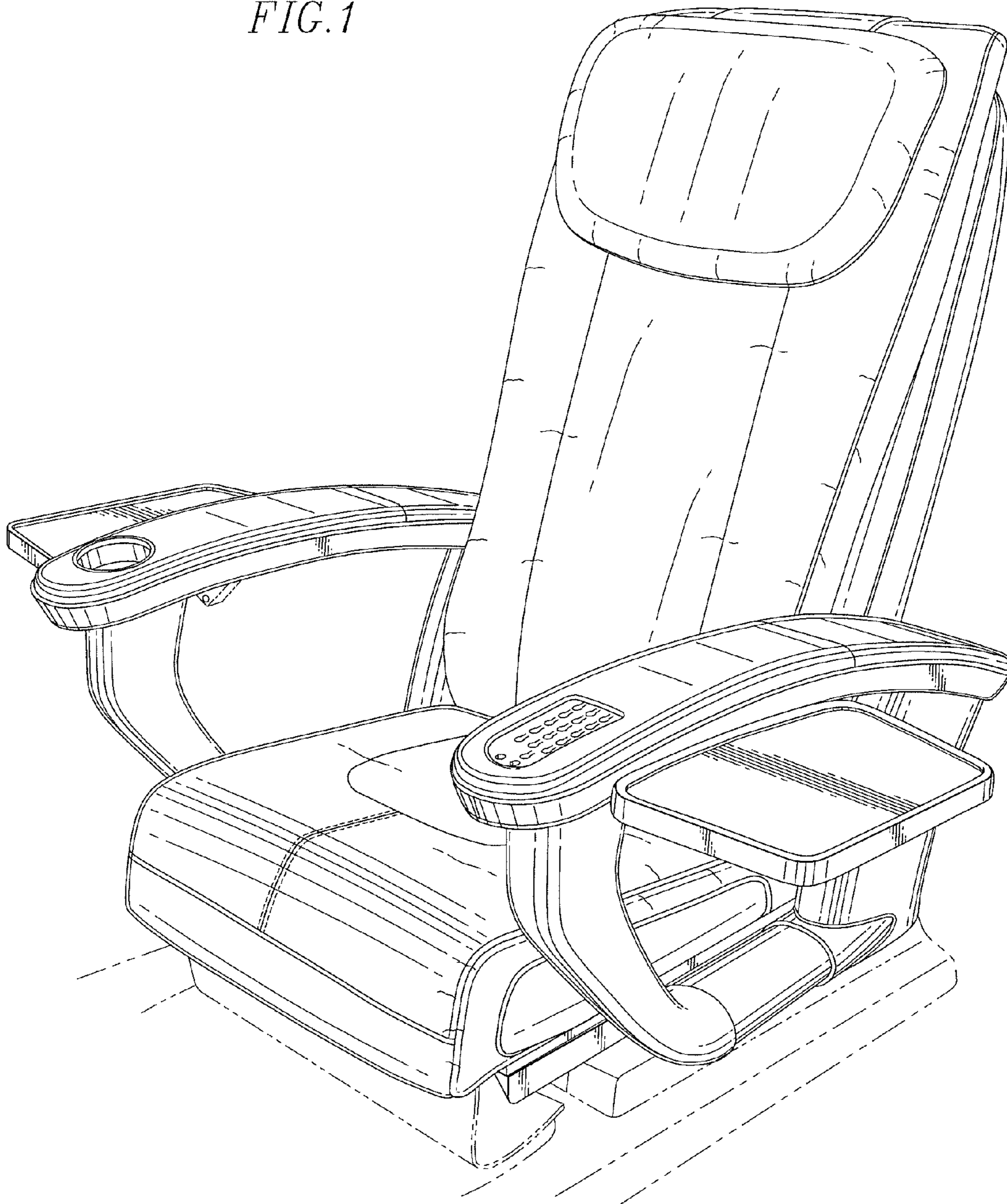
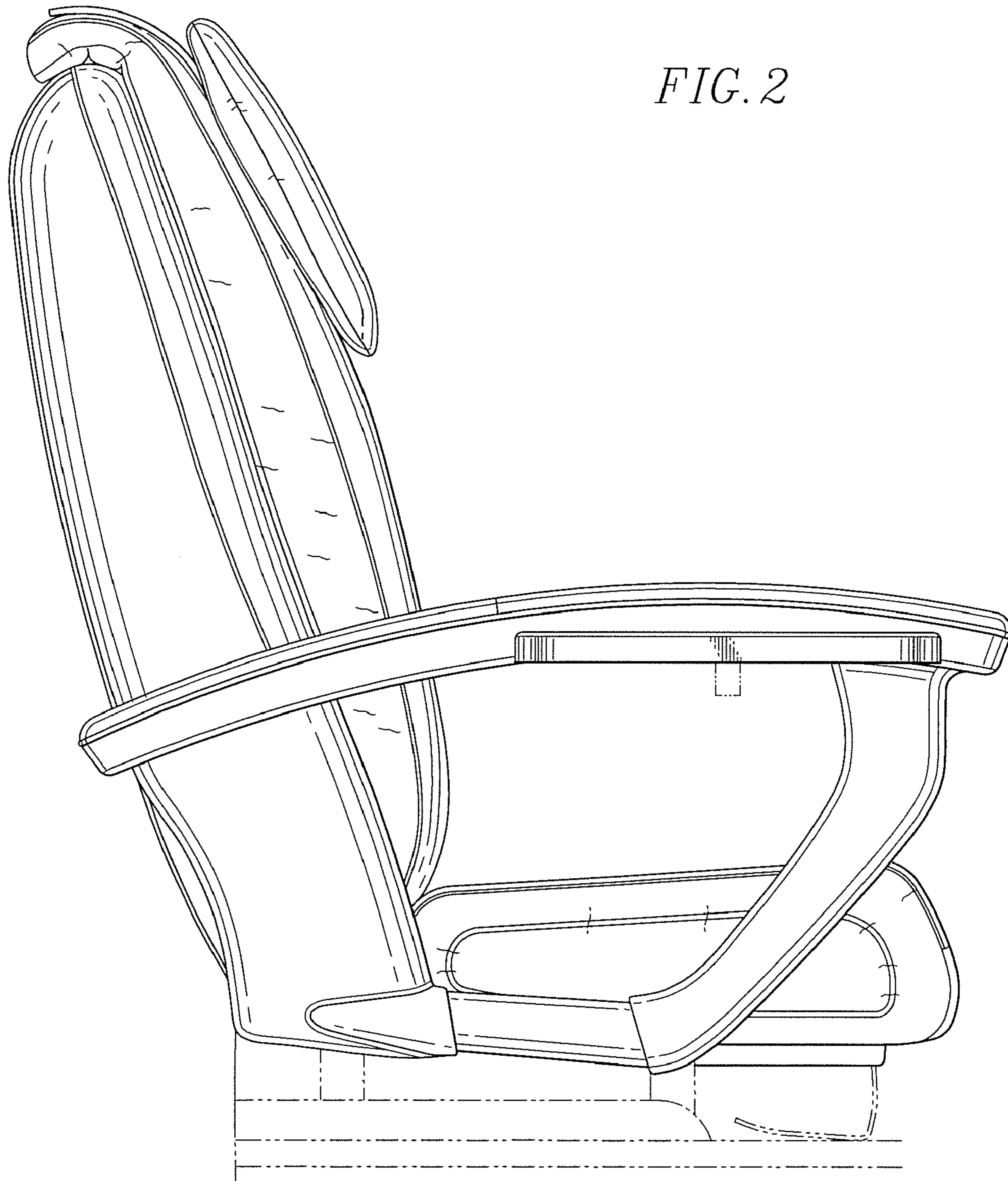
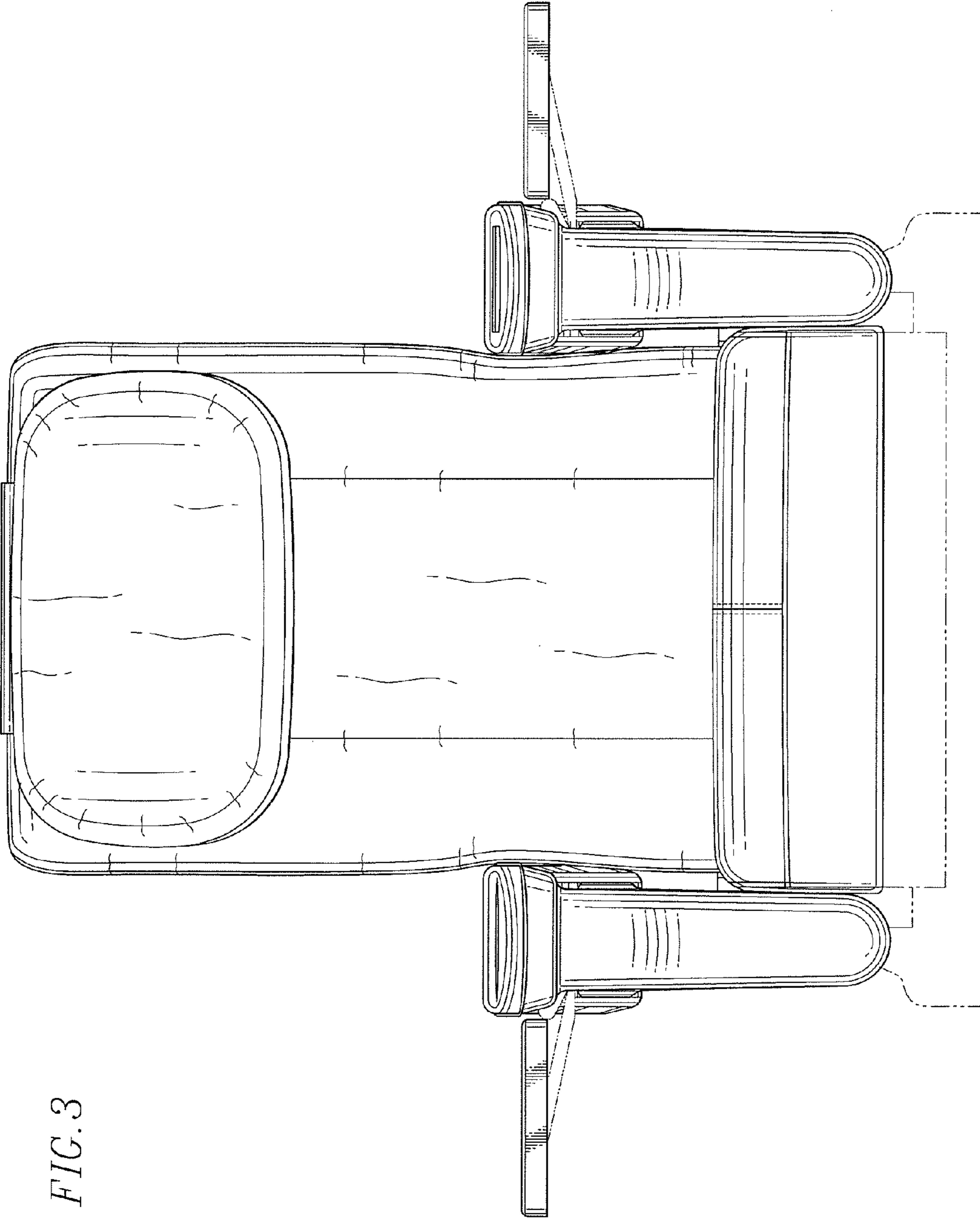


FIG. 1







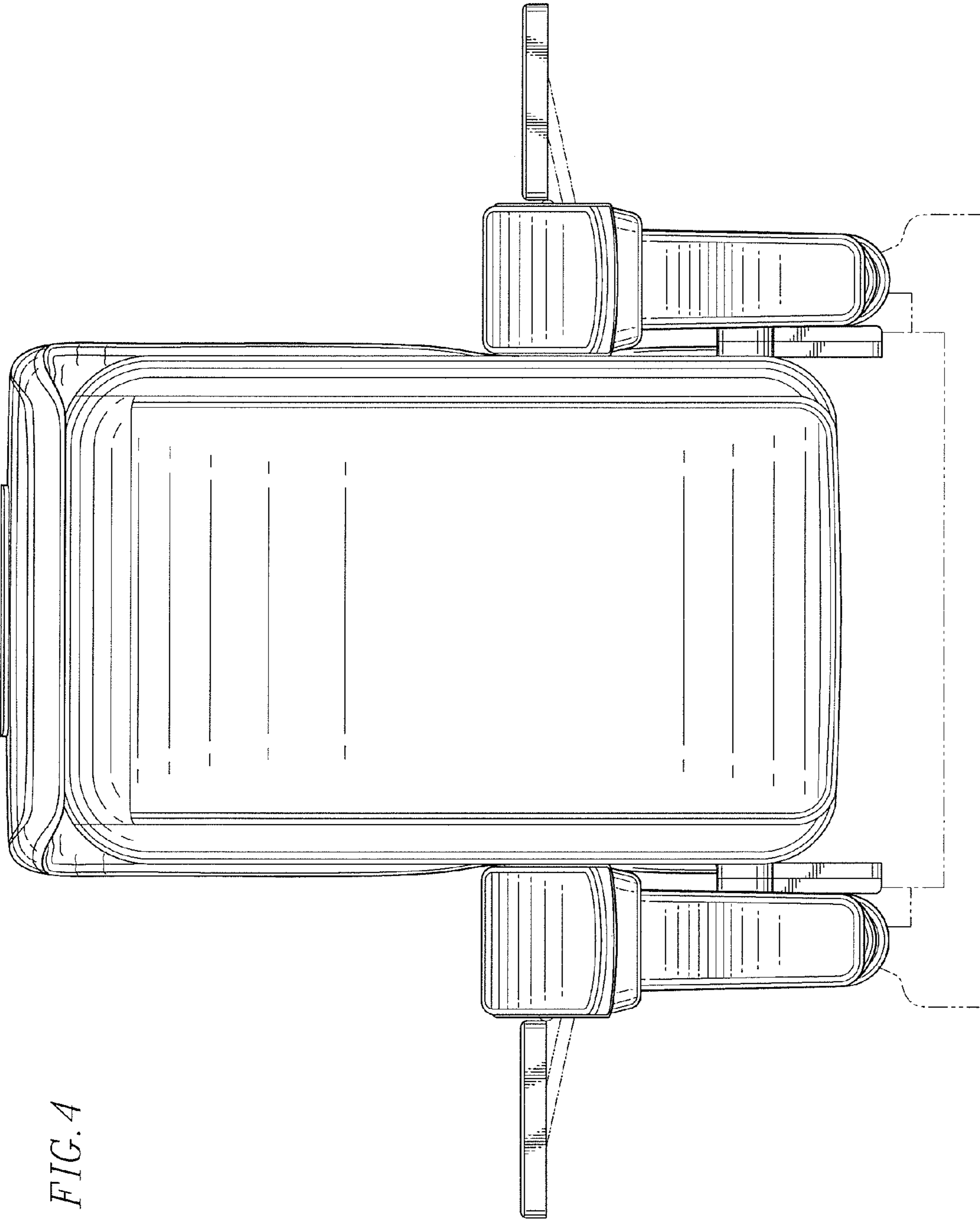


FIG. 5

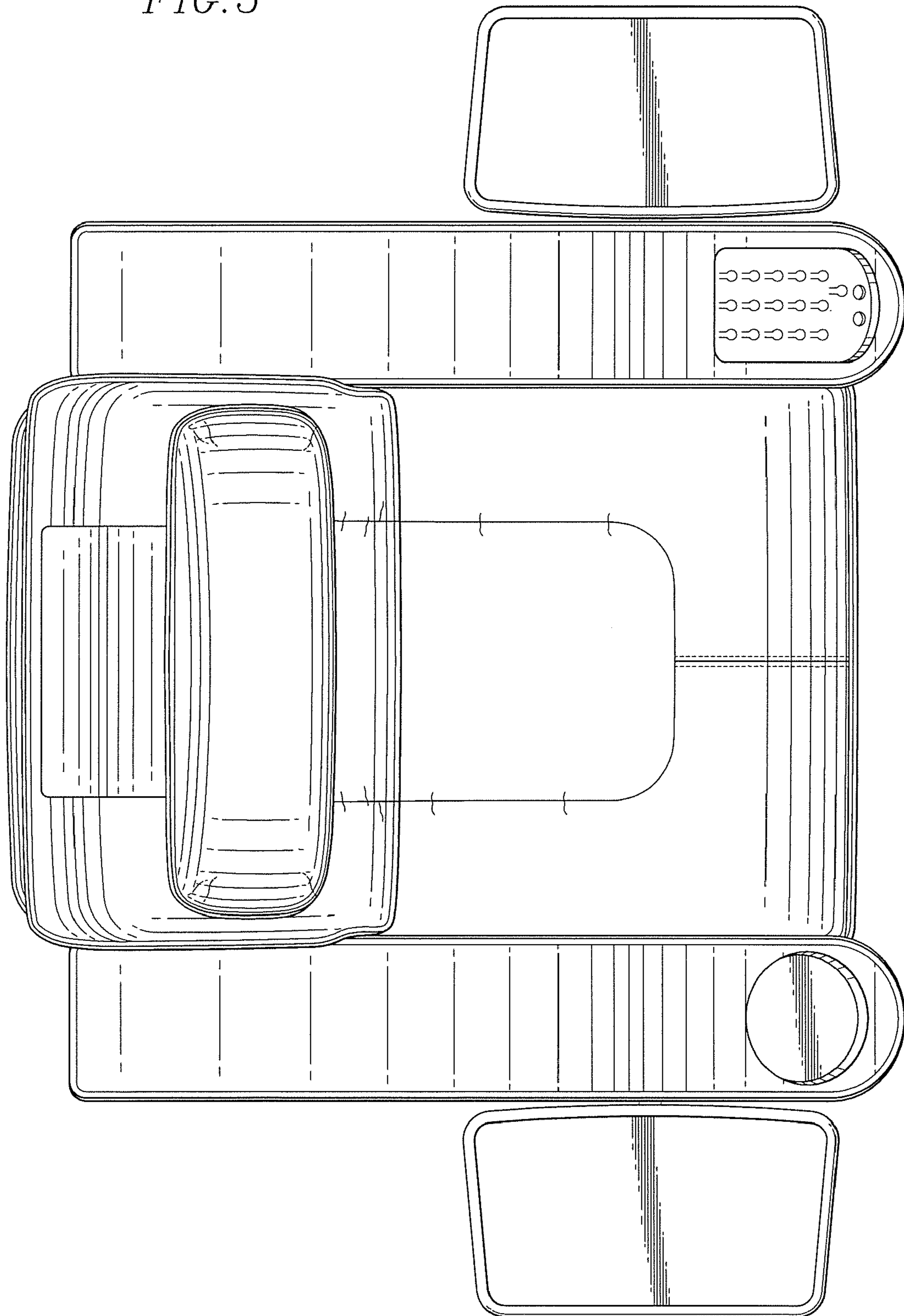
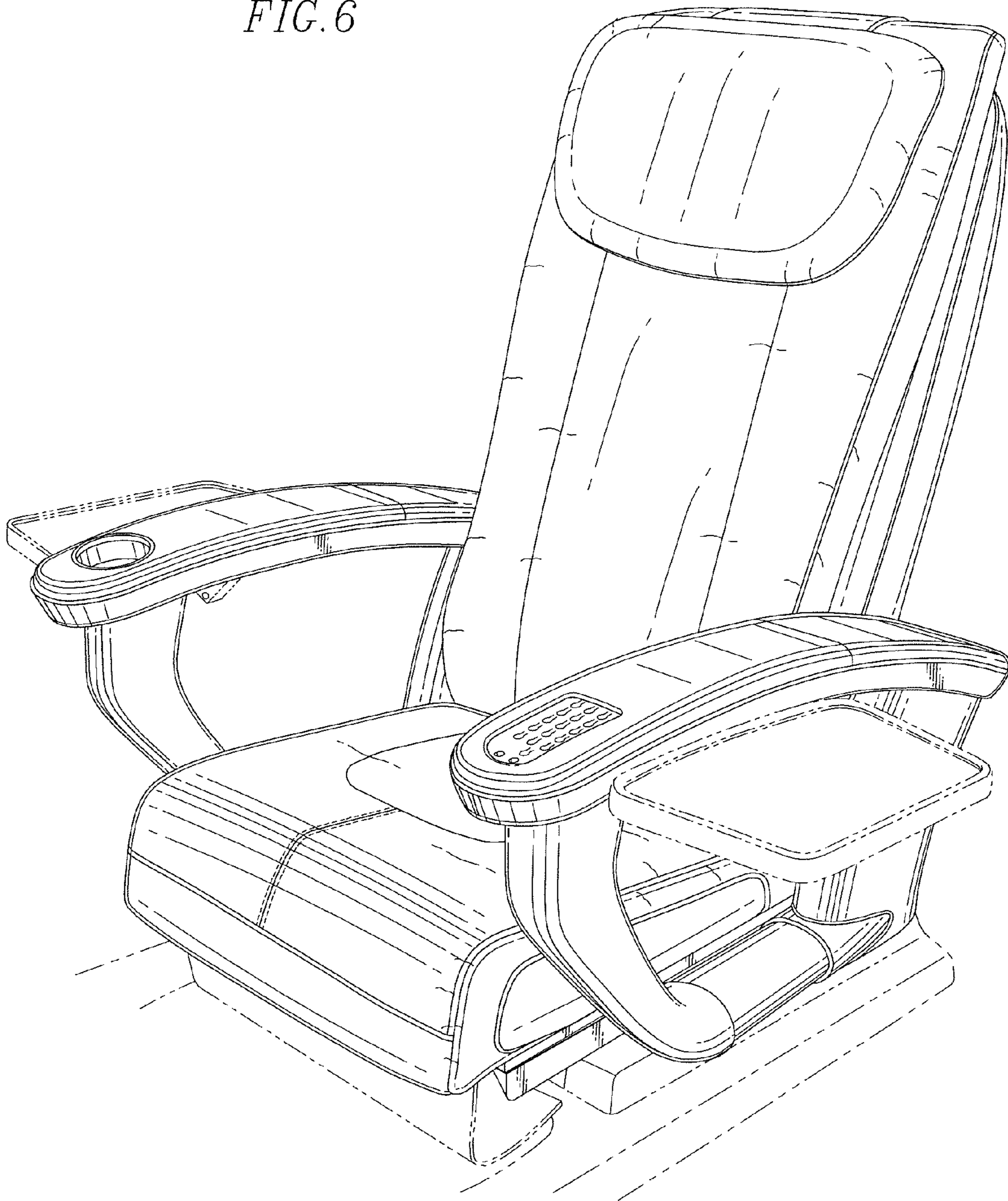


FIG. 6



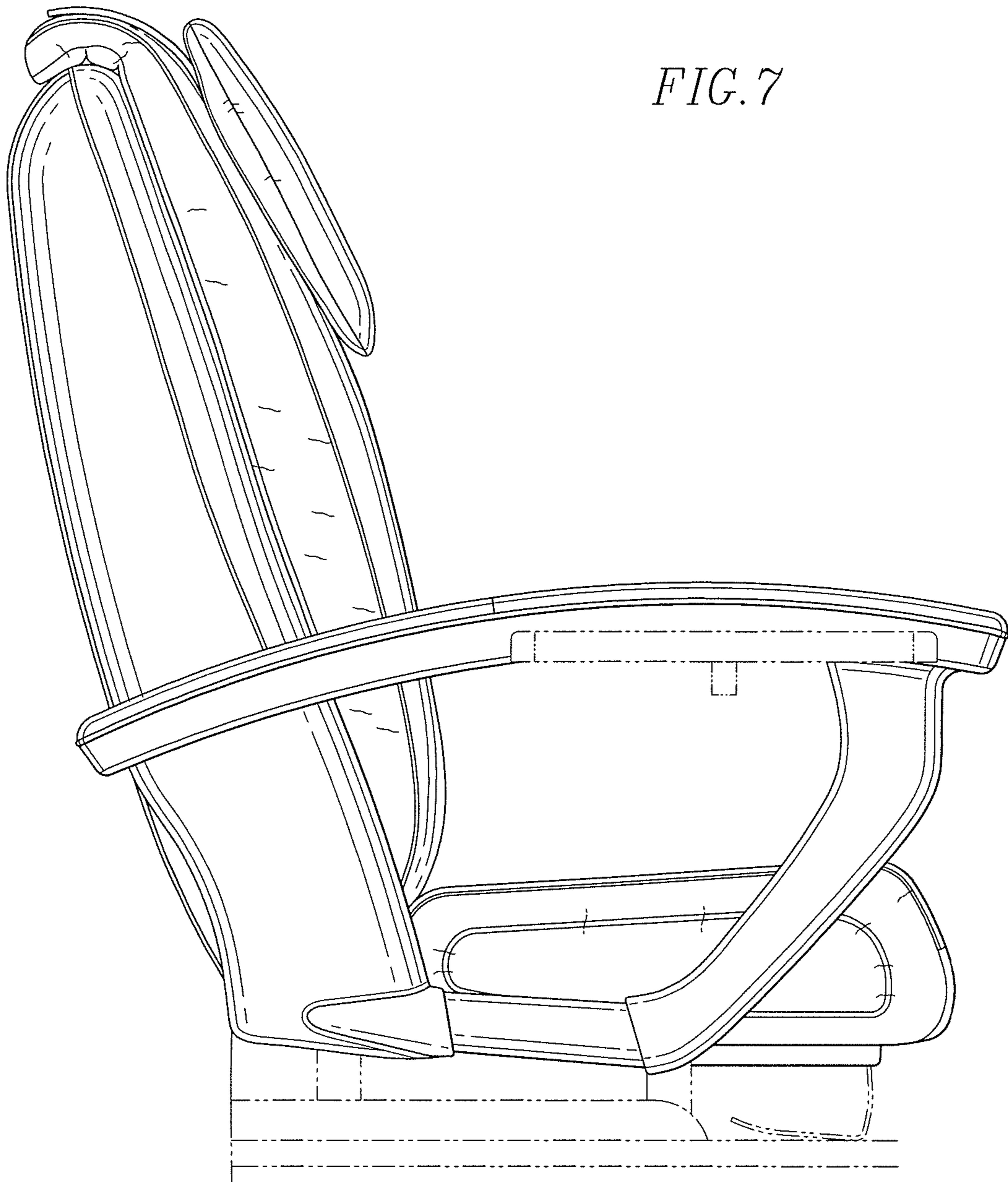


FIG. 7



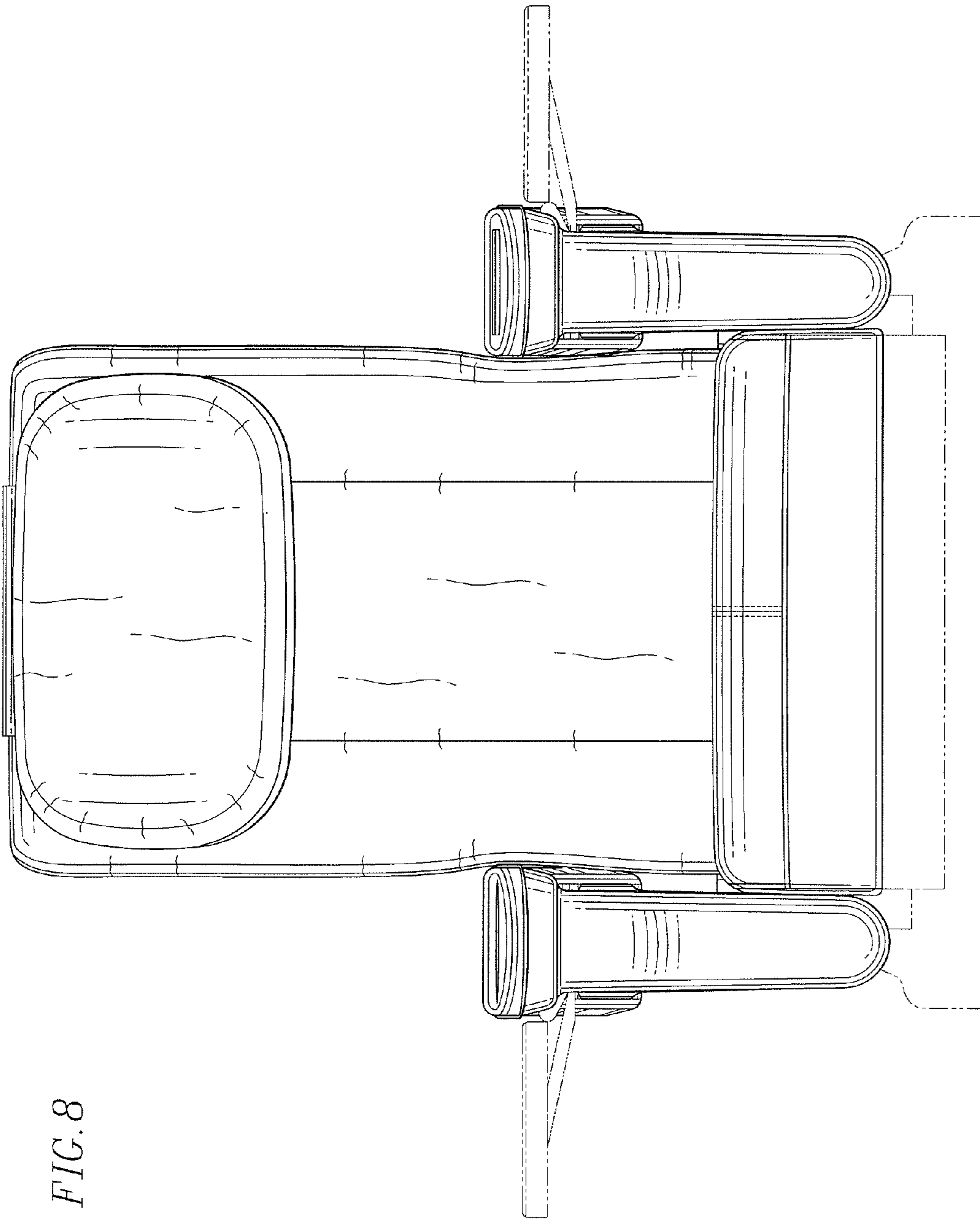


FIG. 8

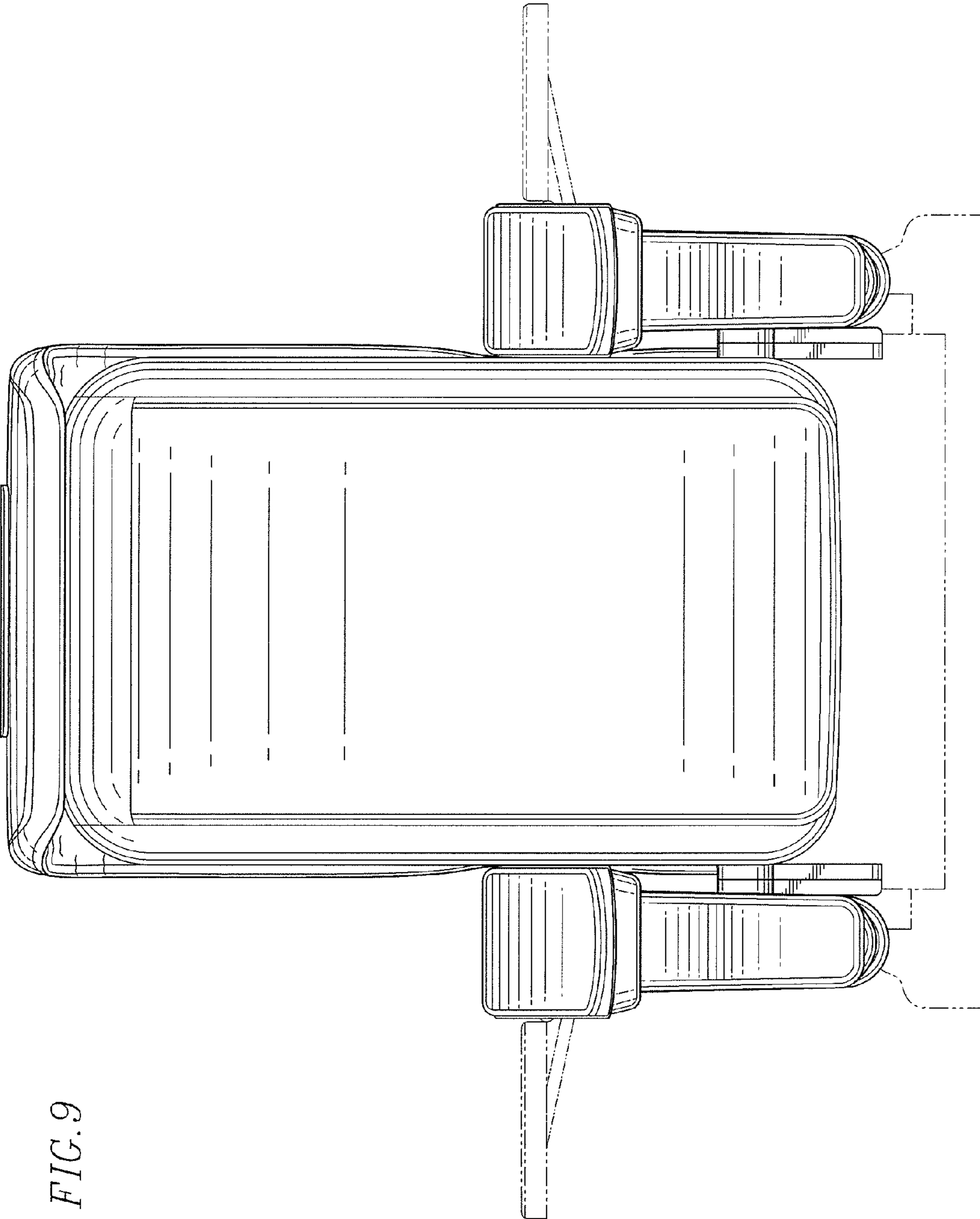
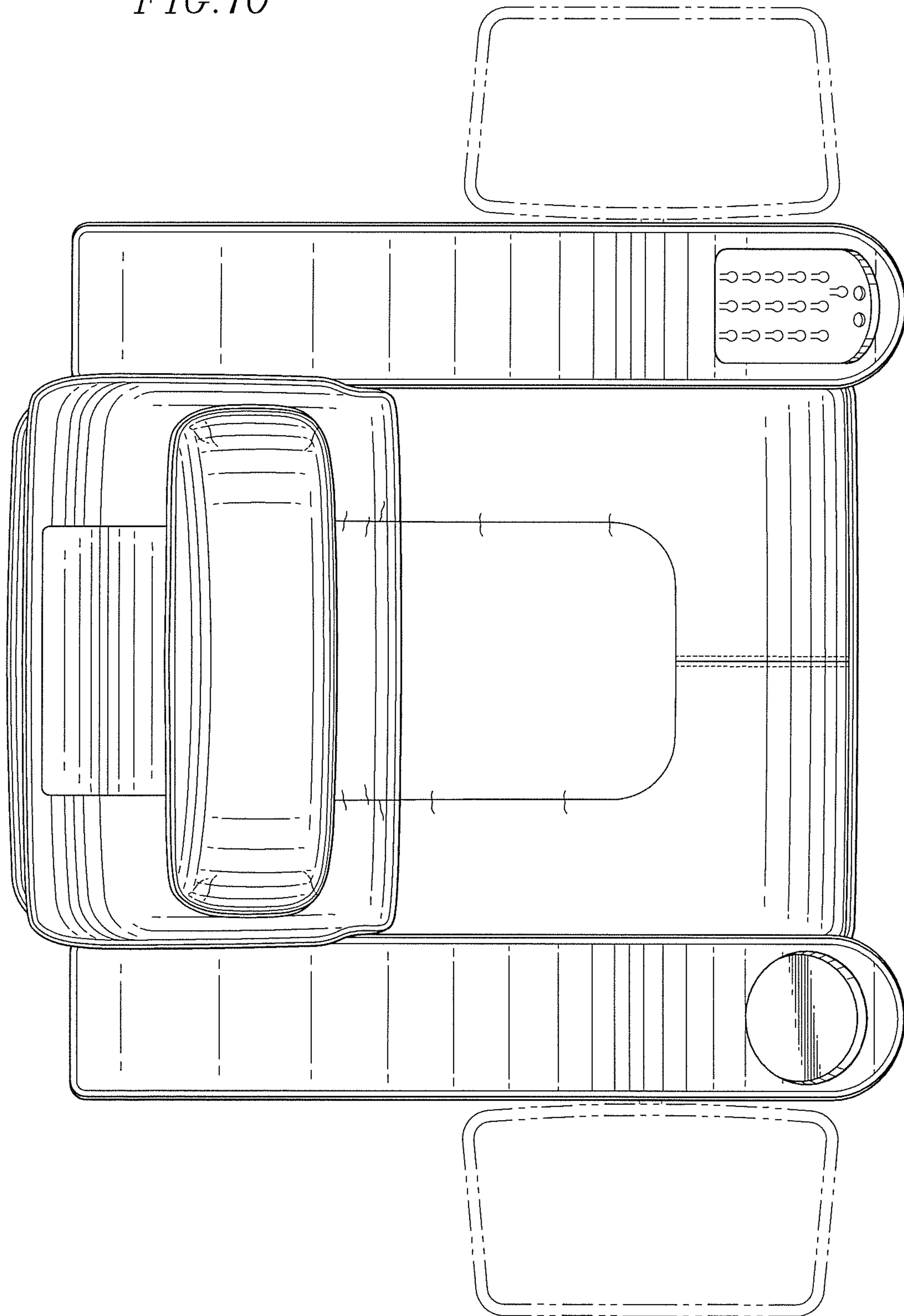
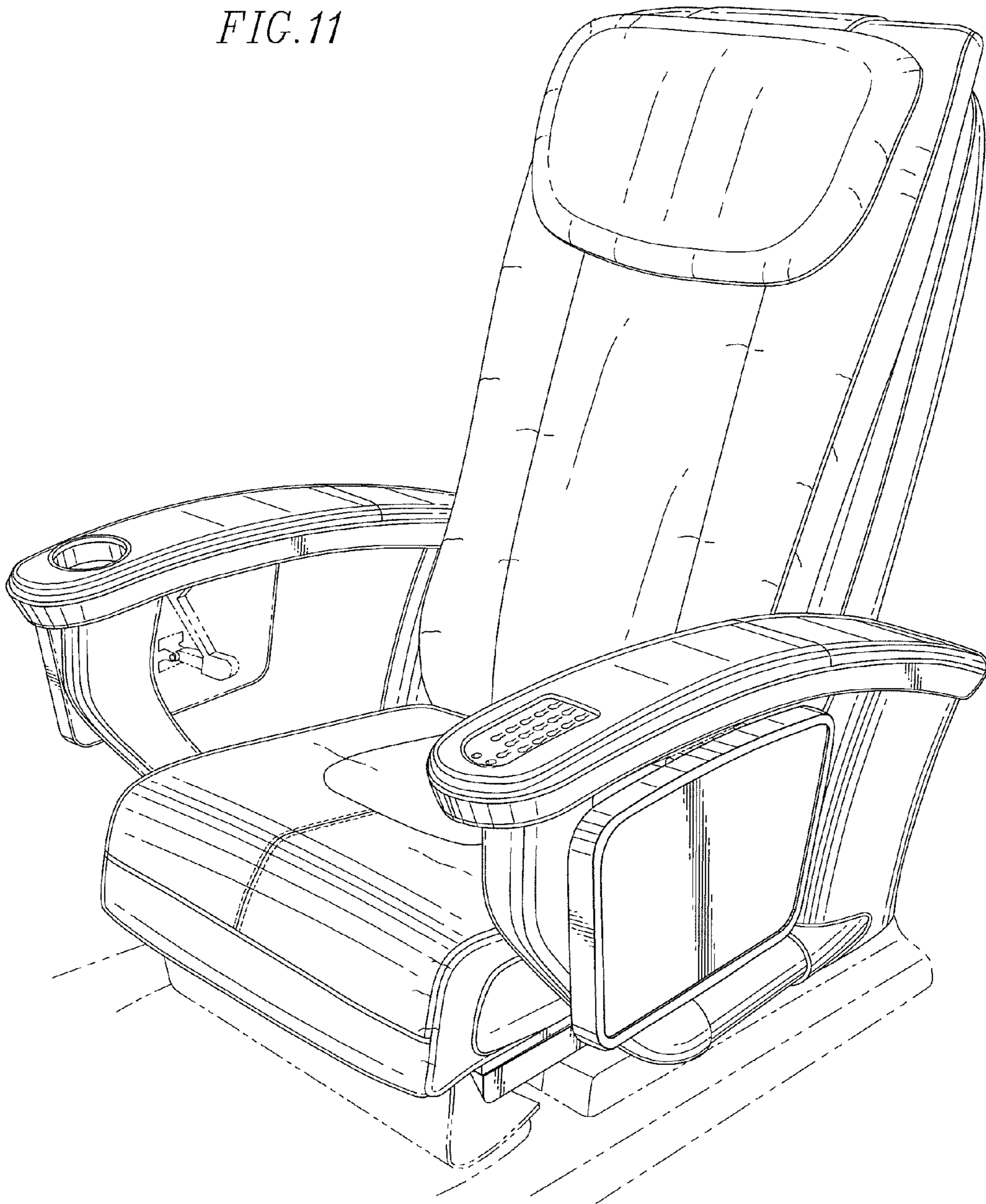


FIG. 9

FIG. 10



*FIG. 11*



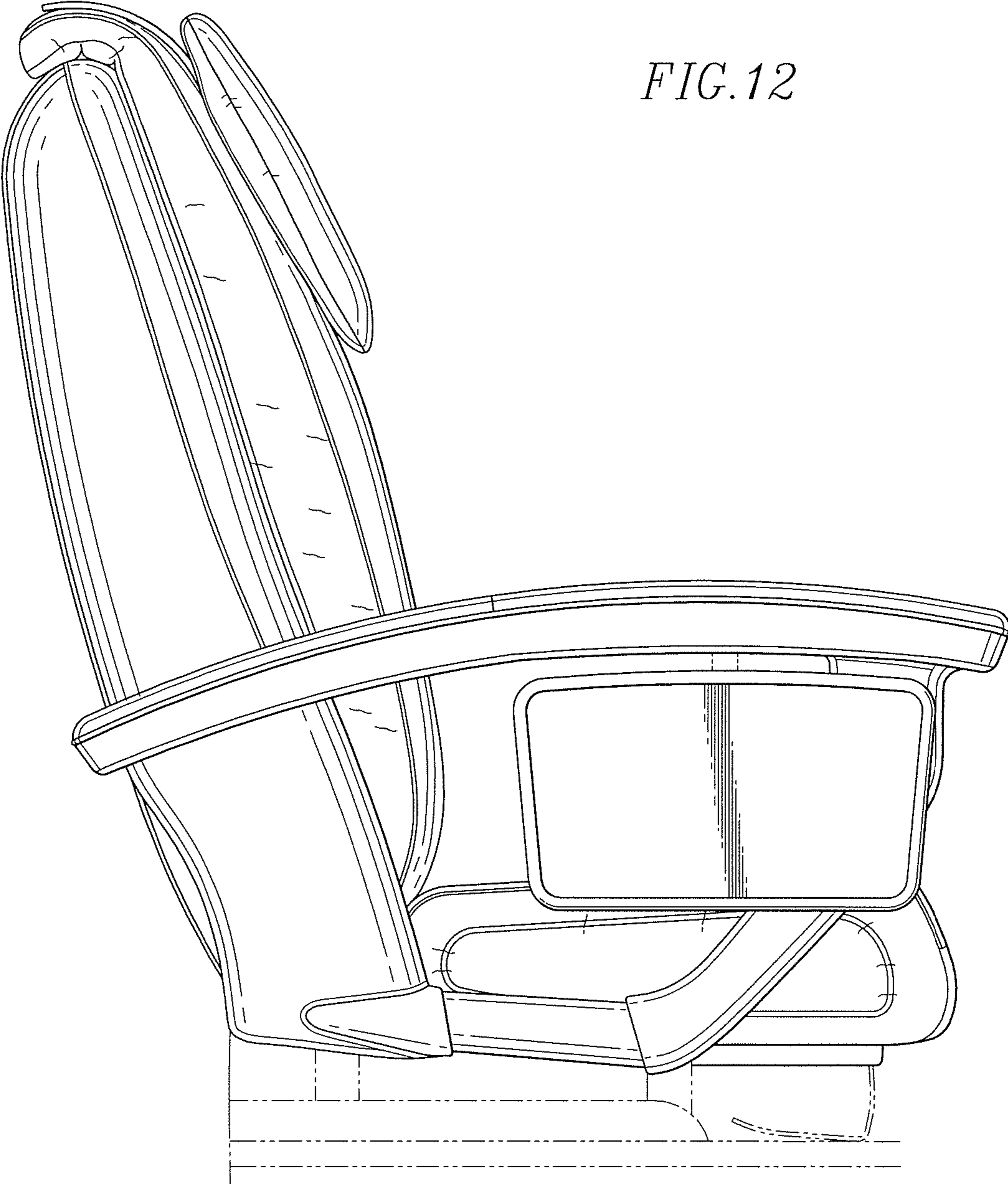


FIG. 12

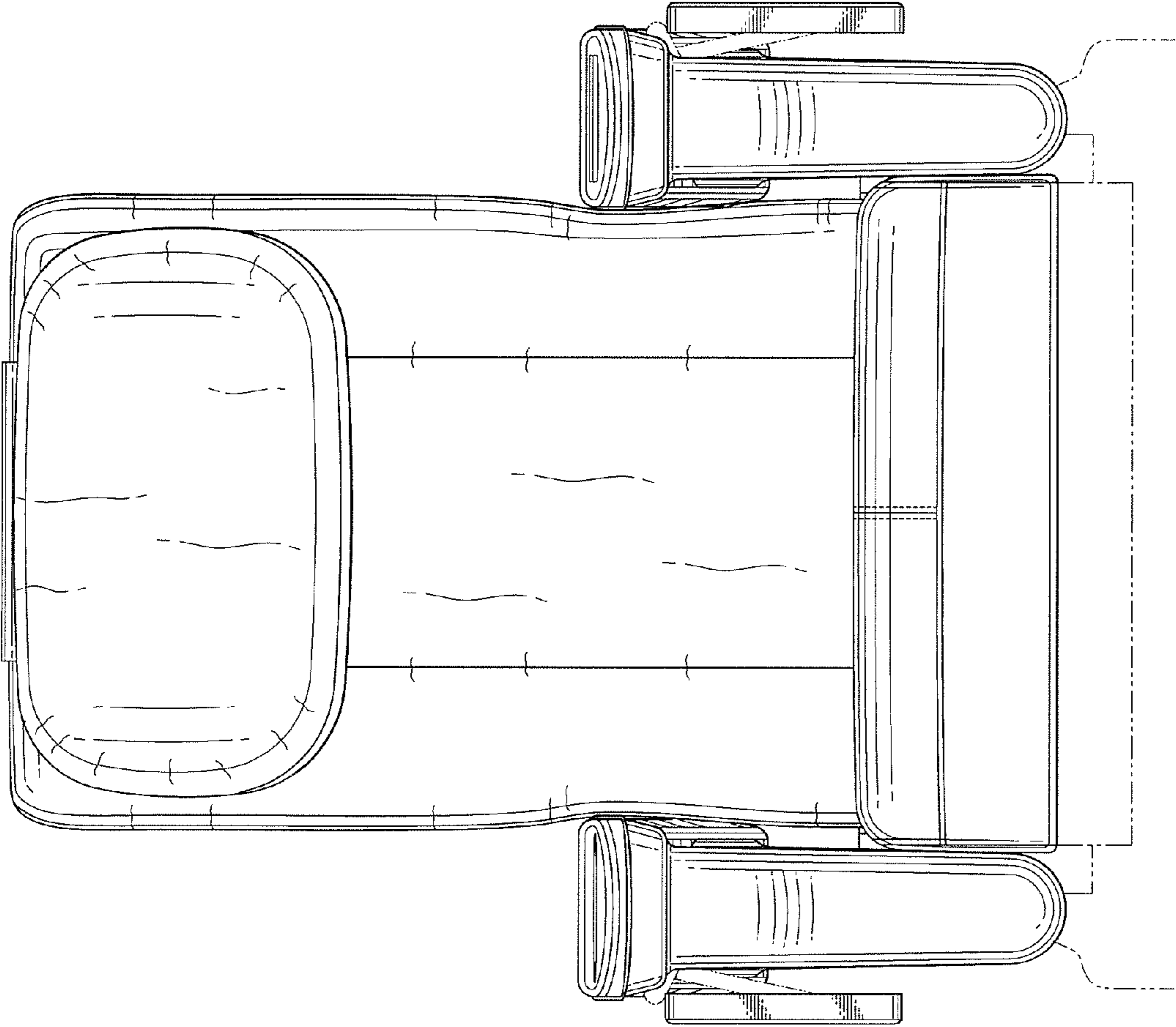


FIG. 13

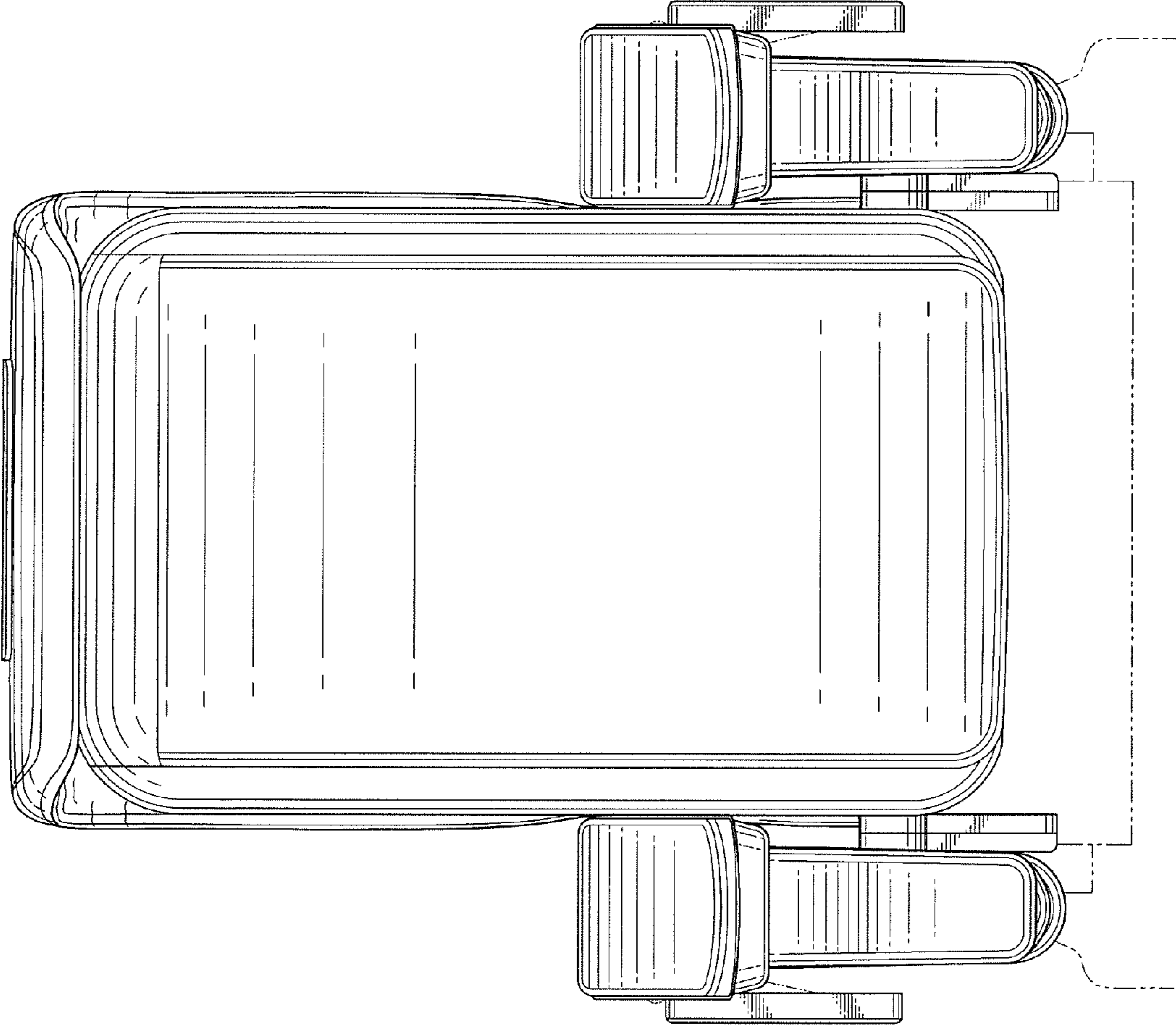


FIG. 14

FIG. 15

