



US00D627172S

(12) **United States Design Patent**
LaRoche et al.

(10) **Patent No.:** **US D627,172 S**
(45) **Date of Patent:** **** Nov. 16, 2010**

(54) **CHILD'S CHAIR**

(75) Inventors: **John LaRoche**, Gardner, MA (US);
Peter Jerome, Tiverton, RI (US)

(73) Assignee: **Jeffco Fibres, Inc.**, Webster, MA (US)

(**) Term: **14 Years**

(21) Appl. No.: **29/363,409**

(22) Filed: **Jun. 9, 2010**

(51) **LOC (9) Cl.** **06-01**

(52) **U.S. Cl.** **D6/333; D6/334**

(58) **Field of Classification Search** D6/333-336,
D6/339, 356, 364-366, 379-381, 491, 500-502;
D21/419; 297/250.1, 183.1, 183.2, 445.1,
297/16.1, 452.1, 461, 232, 233, 248, 446.1,
297/448.1; 5/93.1, 99.1, 94, 101, 98.1, 12.1
See application file for complete search history.

(56) **References Cited**

U.S. PATENT DOCUMENTS

D265,531 S *	7/1982	Brukoff	D6/364
D283,855 S *	5/1986	Kujawski	D6/333
D369,493 S *	5/1996	LaRoche	D6/334
D407,568 S *	4/1999	Tseng	D6/334
D426,714 S *	6/2000	Linder	D6/334
D446,030 S *	8/2001	Linder	D6/334
D446,949 S *	8/2001	Linder	D6/335

D486,967 S *	2/2004	Bourget	D6/359
D496,166 S *	9/2004	Namikawa	D6/333
D529,302 S *	10/2006	Loehr	D6/333
D535,484 S *	1/2007	May	D6/336
D620,263 S *	7/2010	Van Halder	D6/334

* cited by examiner

Primary Examiner—Caron Veynar

Assistant Examiner—Abraham Bahta

(74) *Attorney, Agent, or Firm*—Mark P. White

(57) **CLAIM**

The ornamental design for a child's chair, as shown and described.

DESCRIPTION

FIG. 1 is a perspective view of the child's chair showing our new design;

FIG. 2 is a front perspective view thereof;

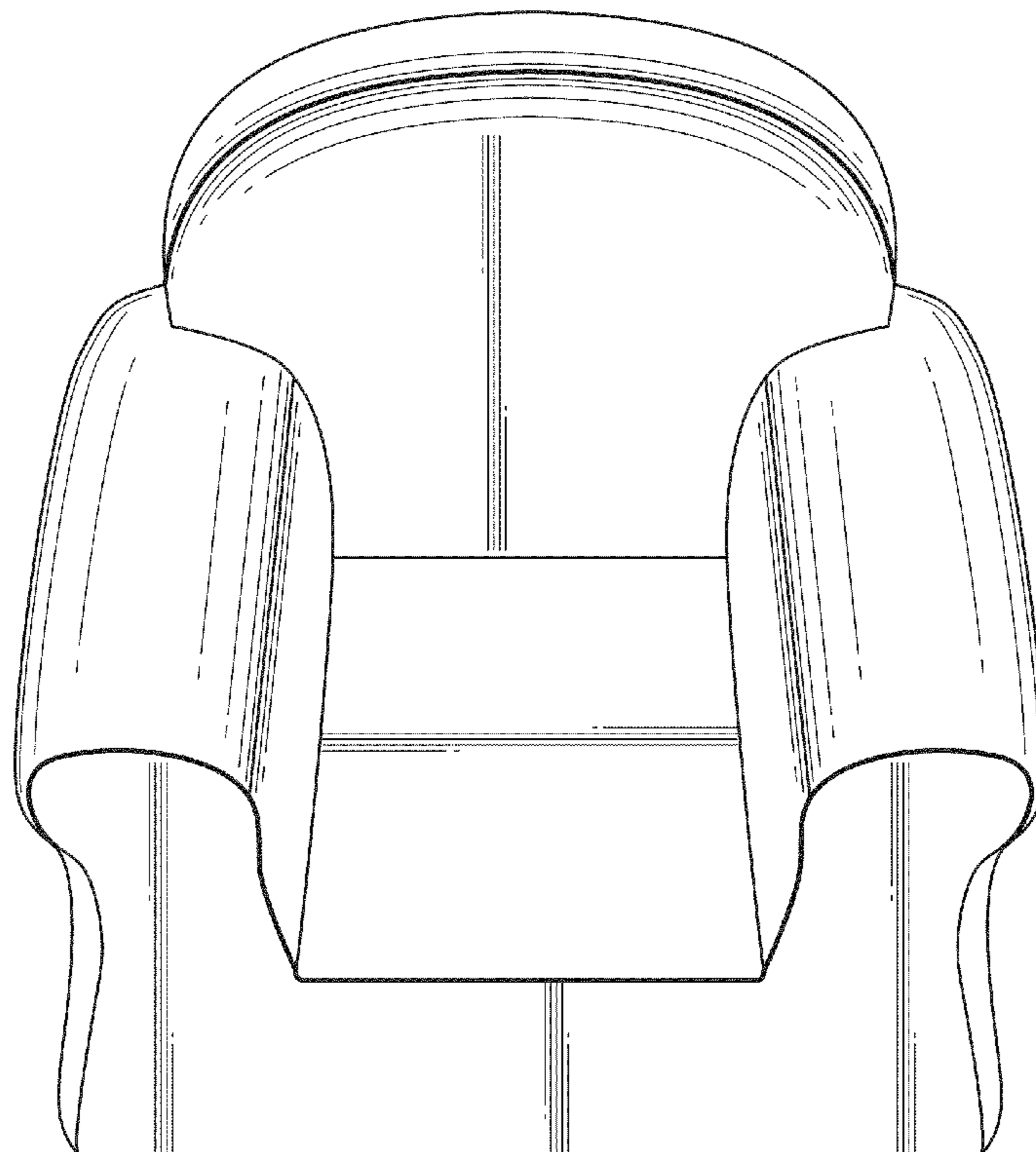
FIG. 3 is a side elevation view thereof;

FIG. 4 is a top plan view thereof; and,

FIG. 5 is a rear elevation view thereof wherein the broken lines represent stitching.

The broken line showing of a child in FIG. 2 and portions of the sofa shown in broken lines in FIG. 5 are included for the purpose of illustrating environmental structure and forms no part of the claimed design.

1 Claim, 5 Drawing Sheets



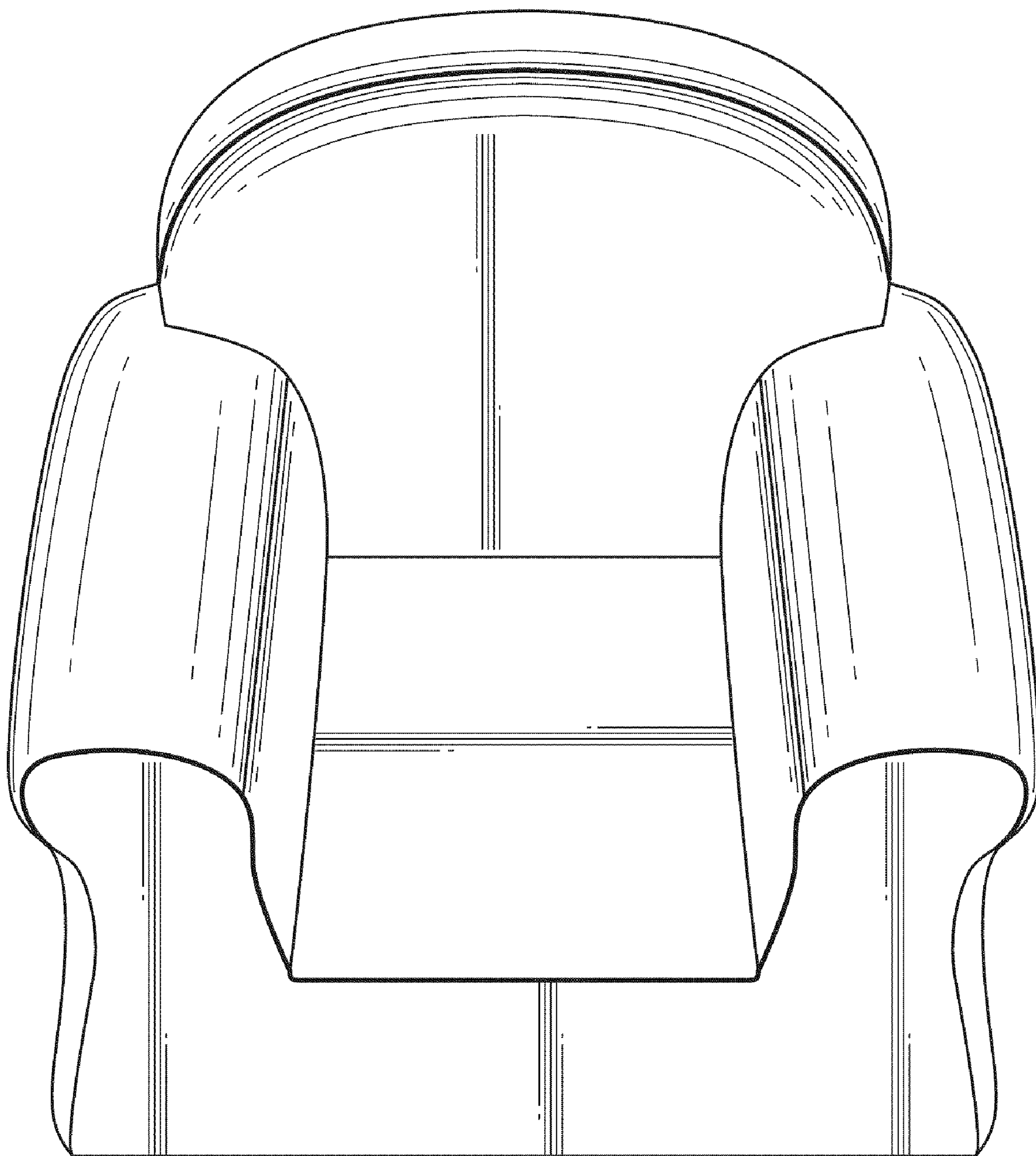


FIG. 1

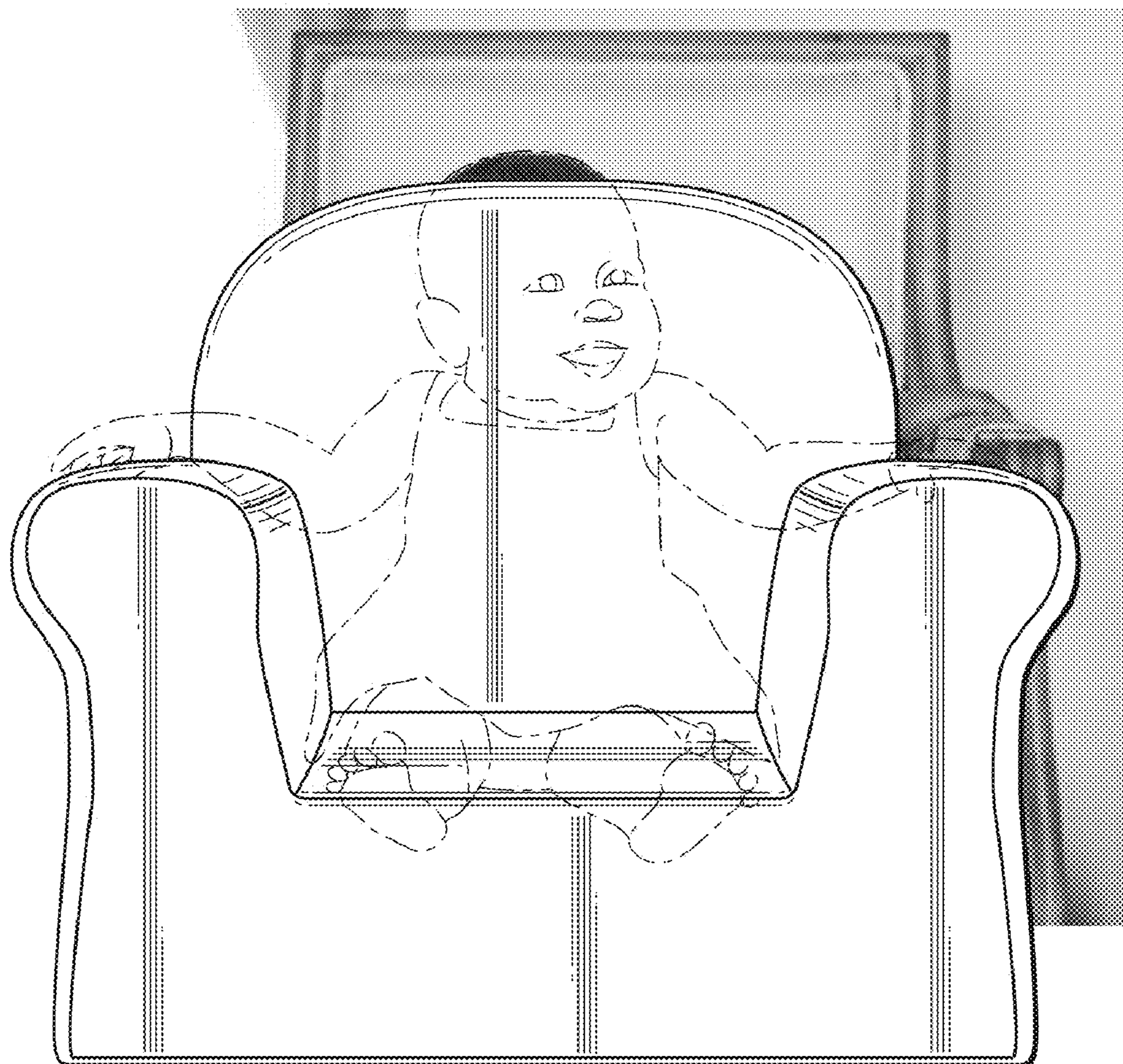


FIG. 2

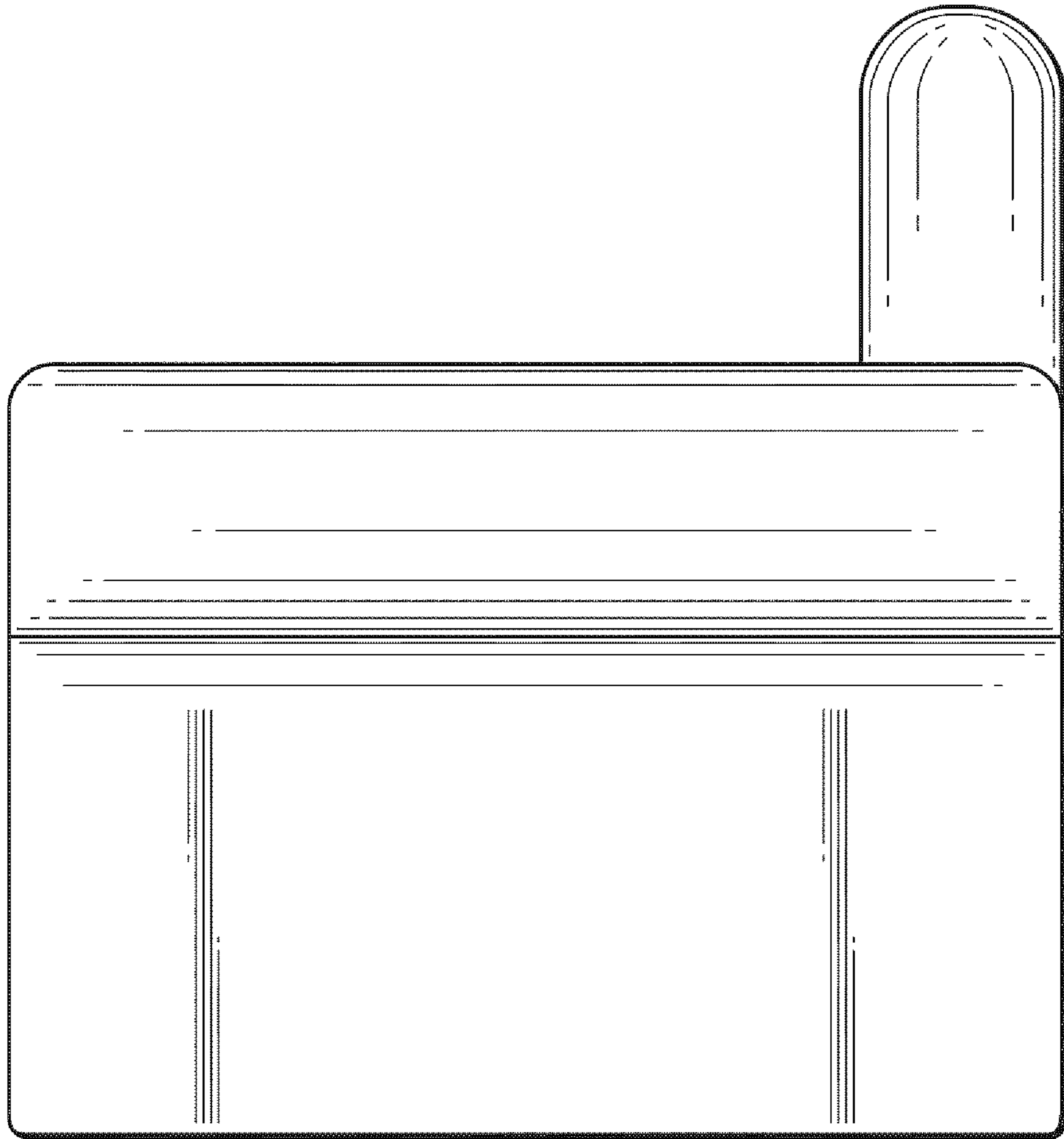


FIG. 3

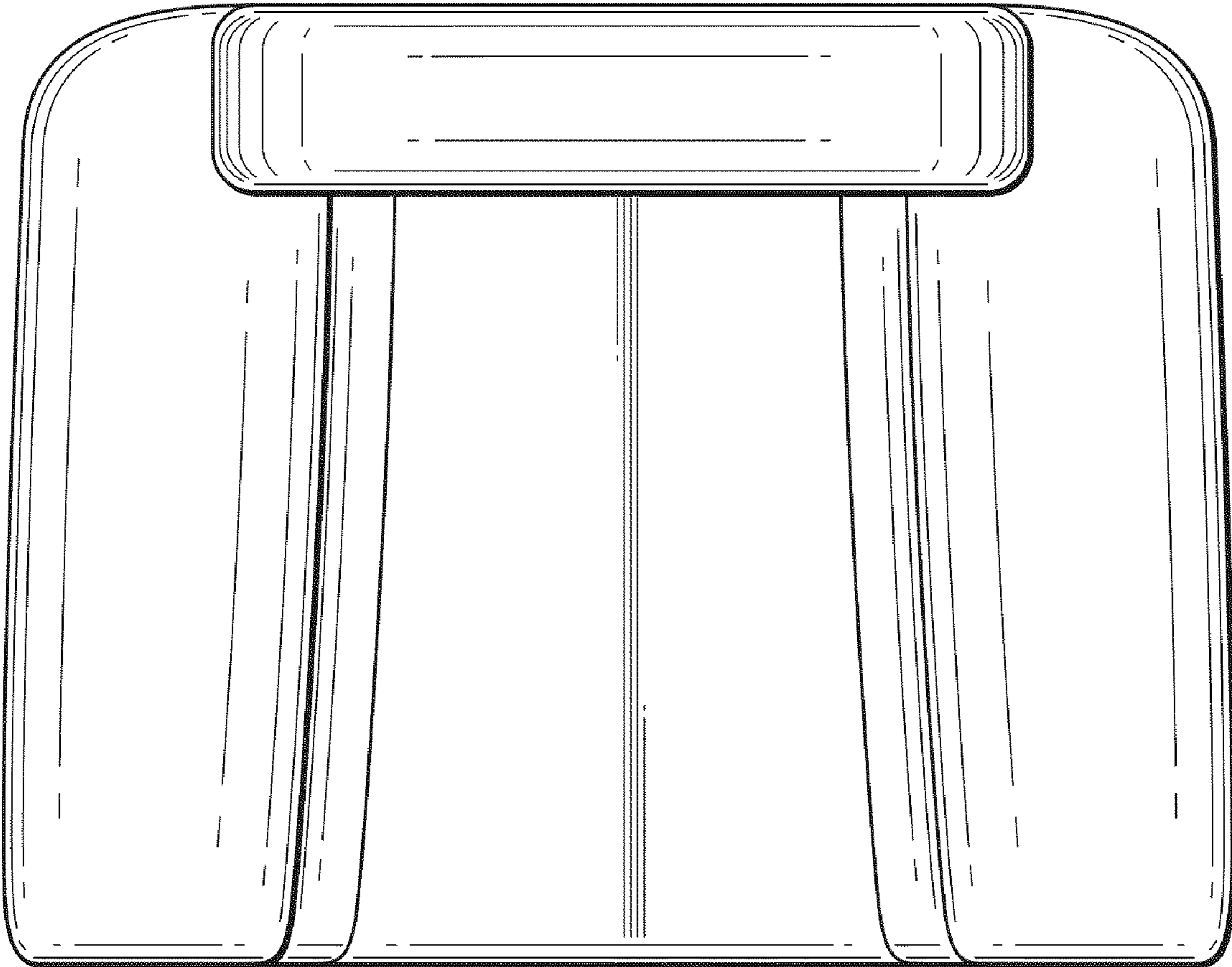


FIG. 4

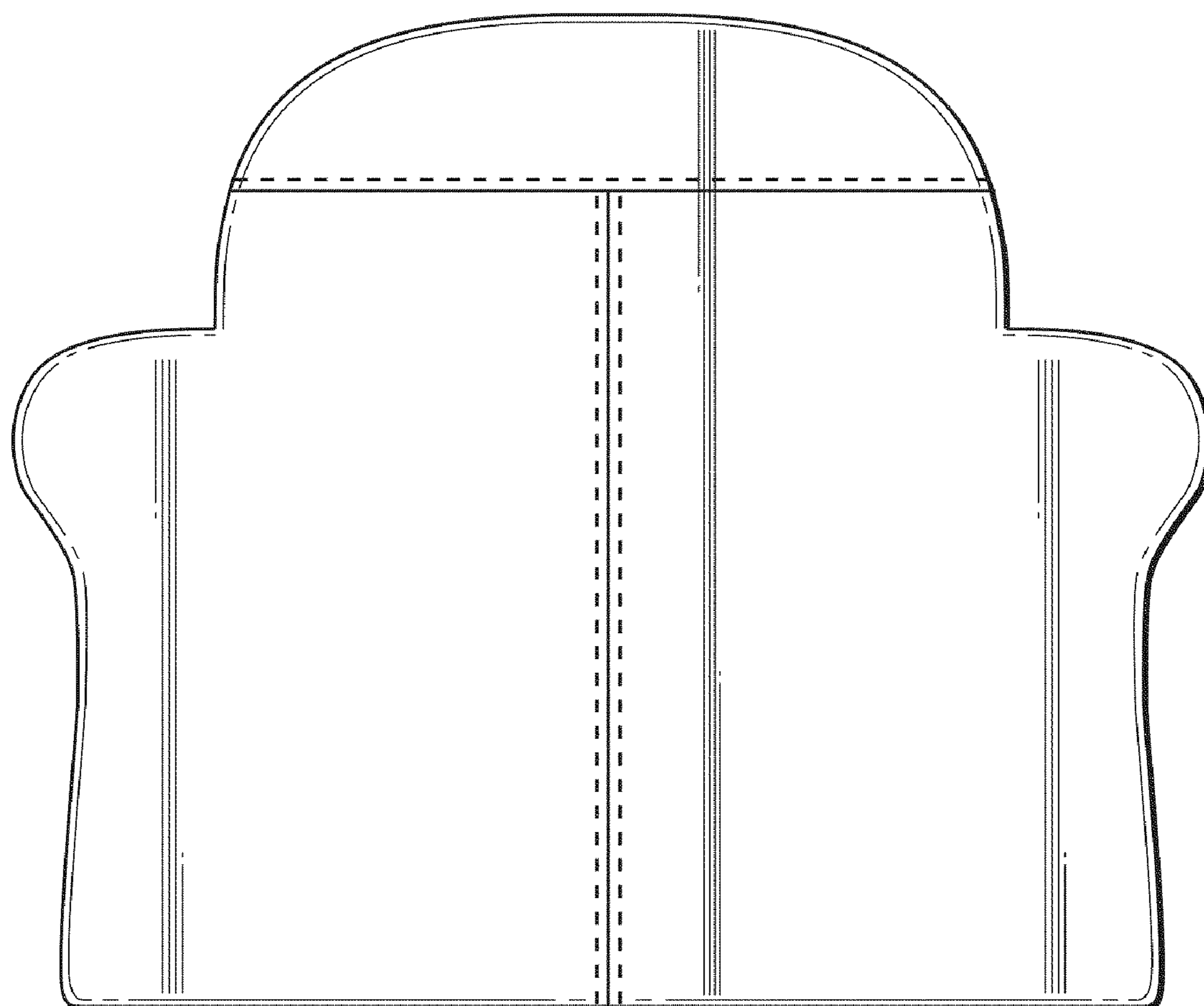


FIG. 5