

US00D627167S

(12) **United States Design Patent**  
**Kittrell**

(10) **Patent No.:** **US D627,167 S**

(45) **Date of Patent:** **\*\* Nov. 16, 2010**

(54) **ROLL-UP PACK**

D607,255 S \* 1/2010 Sunseri ..... D6/571  
D621,780 S \* 8/2010 Ferber et al. .... D13/108

(76) **Inventor:** **Walter Kittrell**, 519 S. 4th St.,  
Columbus, NE (US) 68601

\* cited by examiner

(\*\*) **Term:** **14 Years**

*Primary Examiner*—Charles A Rademaker

*Assistant Examiner*—Charles D Hanson

(21) **Appl. No.:** **29/315,745**

(74) *Attorney, Agent, or Firm*—Suiter Swantz pc llo

(22) **Filed:** **Jul. 20, 2009**

(57) **CLAIM**

(51) **LOC (9) Cl.** ..... **03-02**

The ornamental design for a roll-up pack, as shown and described.

(52) **U.S. Cl.** ..... **D3/299**

(58) **Field of Classification Search** ..... D3/283,  
D3/299, 276, 279; D6/107, 626–629; 190/111  
See application file for complete search history.

**DESCRIPTION**

(56) **References Cited**

FIG. 1 is a perspective view of a roll-up pack showing my new design;

FIG. 2 is a top elevational view thereof;

FIG. 3 is a front view thereof;

FIG. 4 is a side plan view thereof;

FIG. 5 is a back plan view thereof;

FIG. 6 is a back elevational view thereof; and,

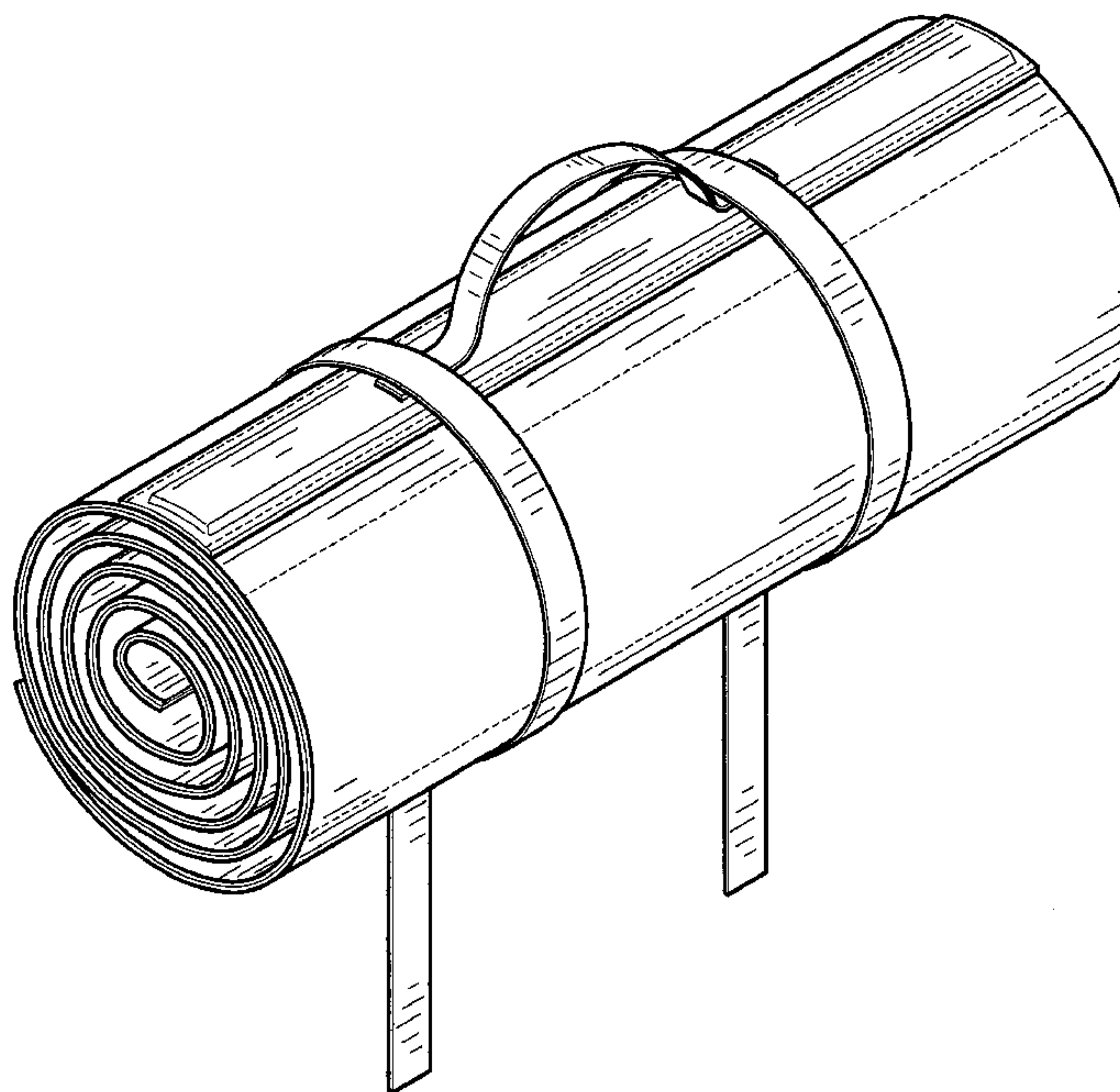
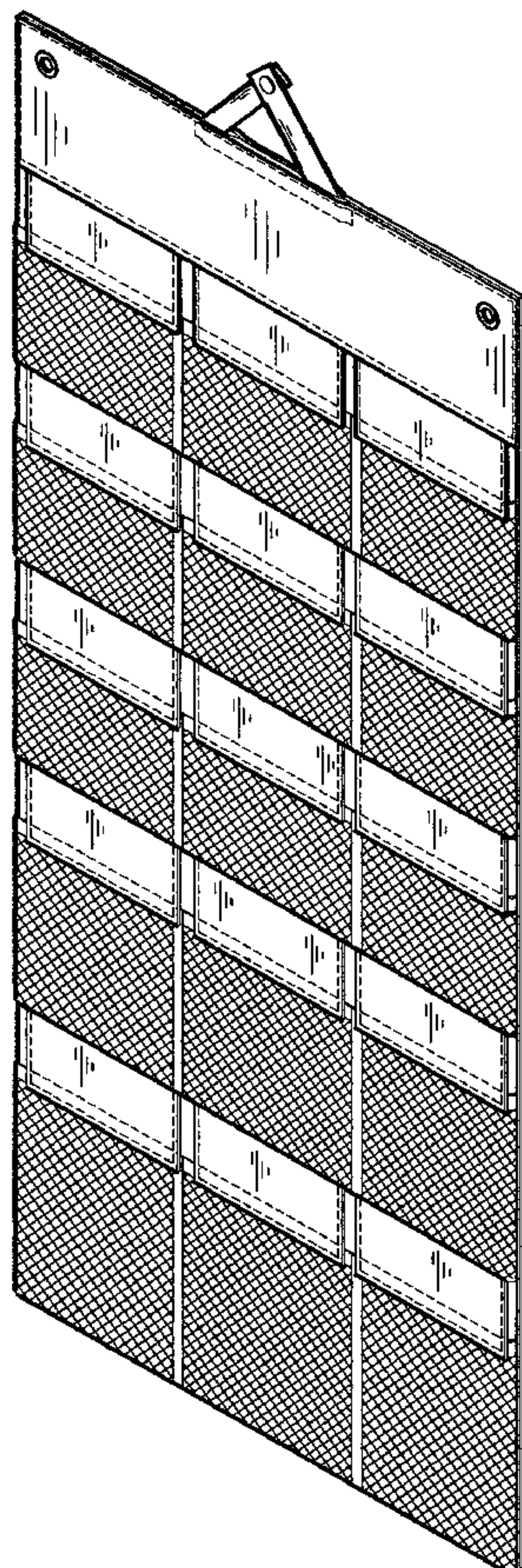
FIG. 7 is a perspective view thereof, in a rolled condition.

The broken lines shown in the figure drawings represent stitching.

**U.S. PATENT DOCUMENTS**

3,139,133	A	*	6/1964	Spector	.....	190/111
D276,004	S	*	10/1984	Mink	.....	D3/299
D294,757	S	*	3/1988	Kahane et al.	.....	D32/36
D332,697	S	*	1/1993	Schildkraut	.....	D3/303
D364,066	S	*	11/1995	Haskett et al.	.....	D6/629
D427,000	S	*	6/2000	Brown	.....	D6/629
D453,428	S	*	2/2002	Beer	.....	D6/407
D587,468	S	*	3/2009	van der Lande	.....	D6/303
D588,367	S	*	3/2009	Yager	.....	D6/301
D595,918	S	*	7/2009	Walter	.....	D34/27

**1 Claim, 4 Drawing Sheets**





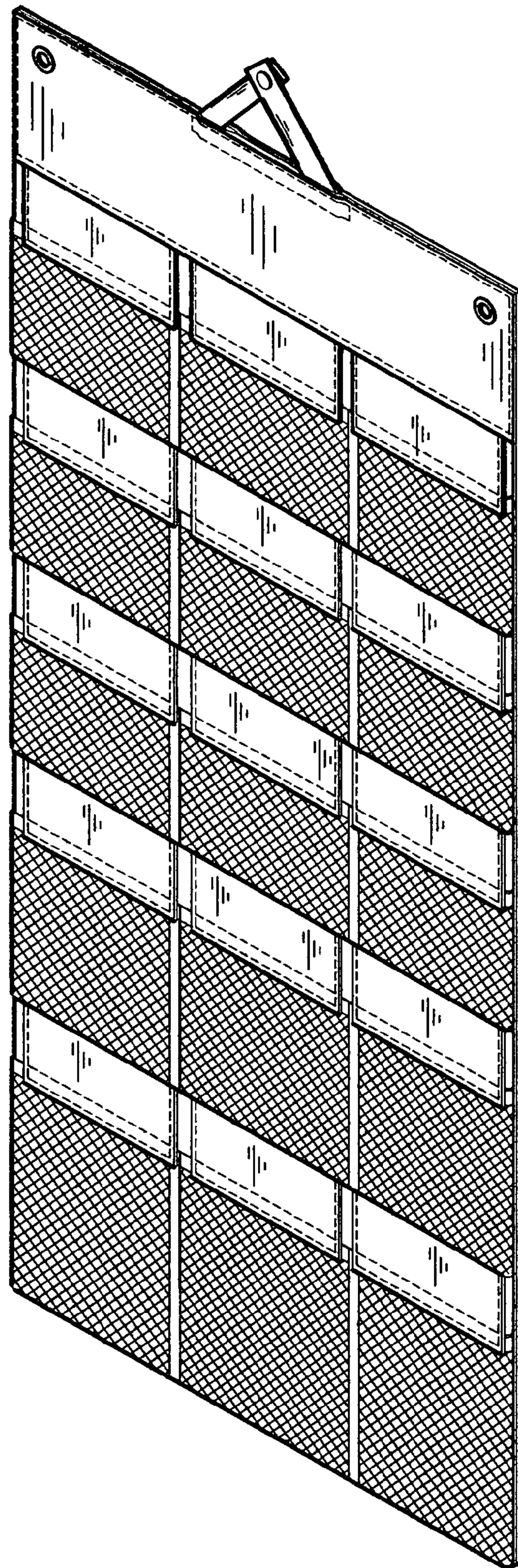


FIG. 1



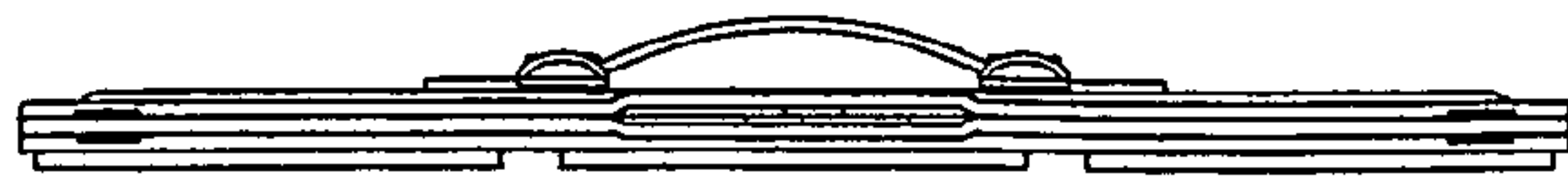


FIG. 2

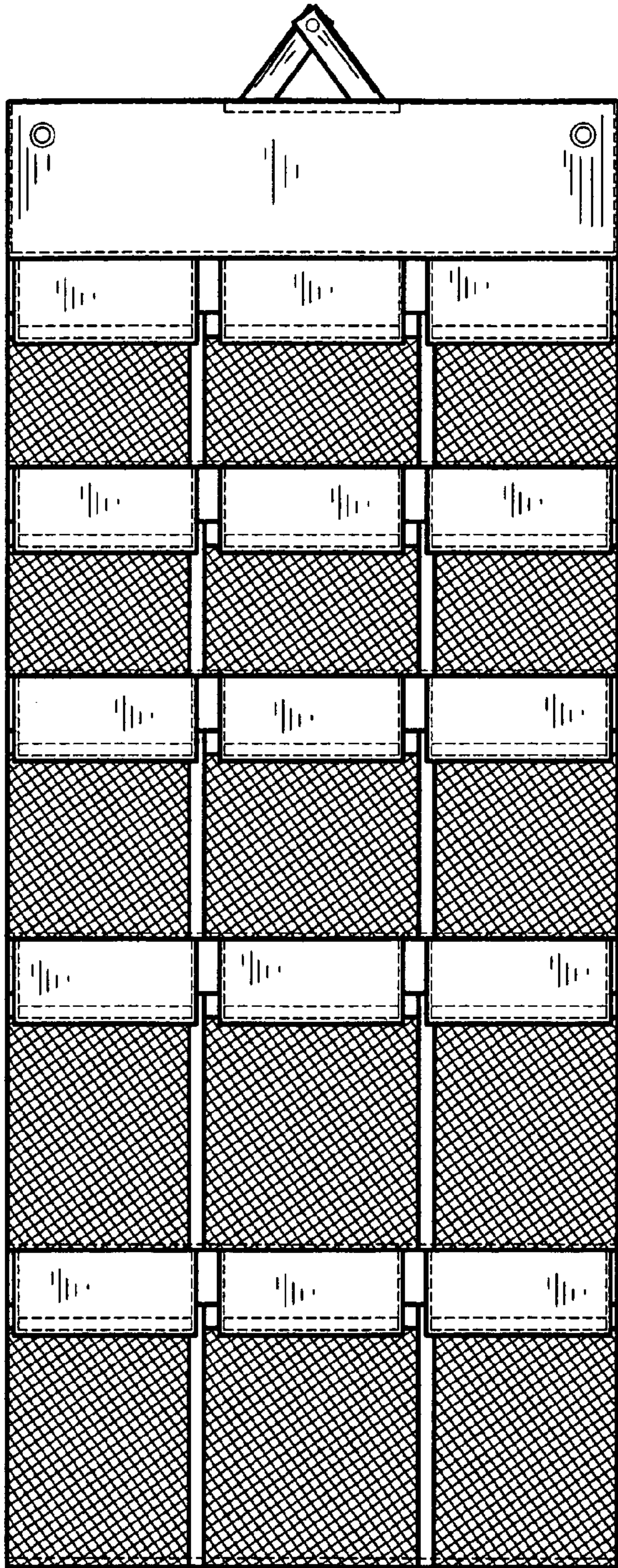


FIG. 3



FIG. 4

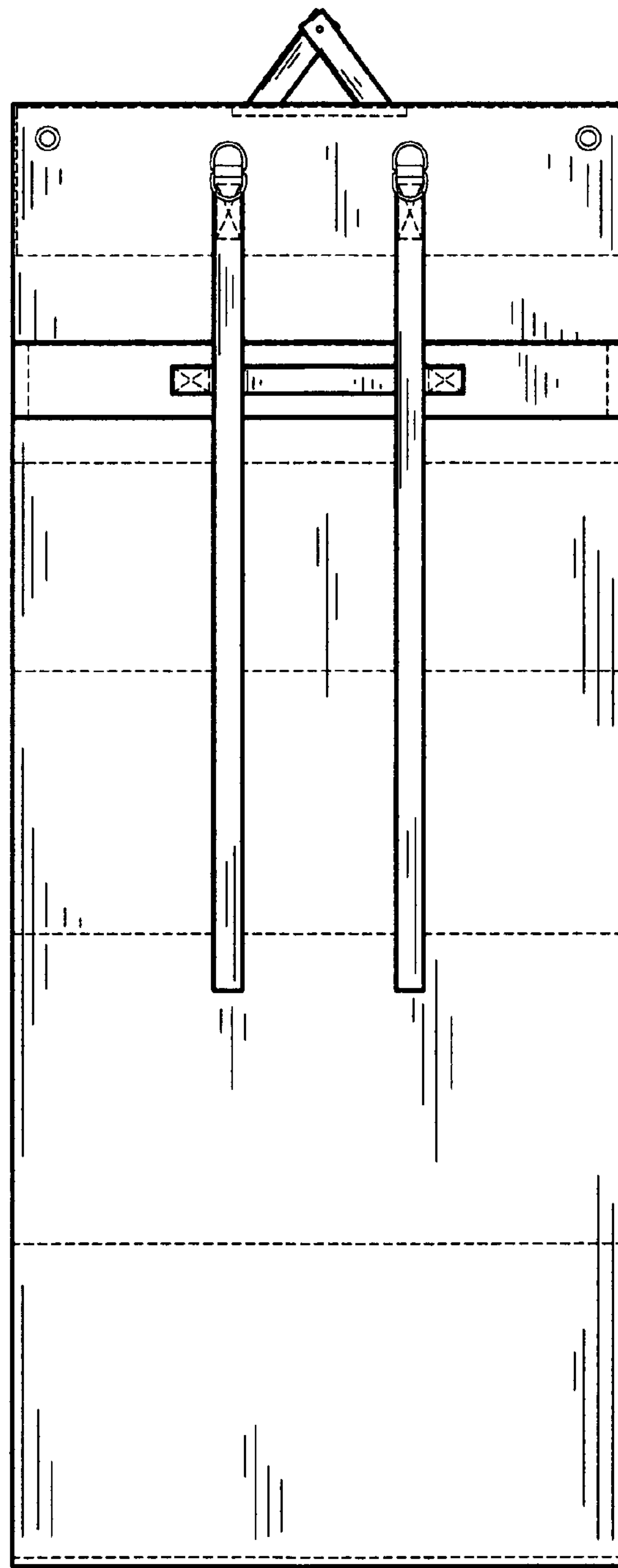


FIG. 5

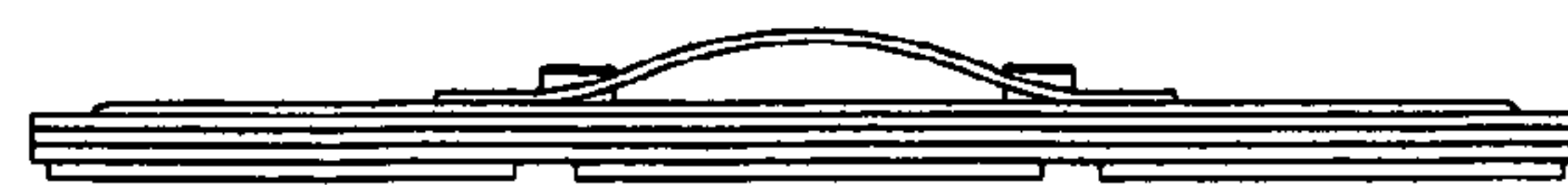


FIG. 6

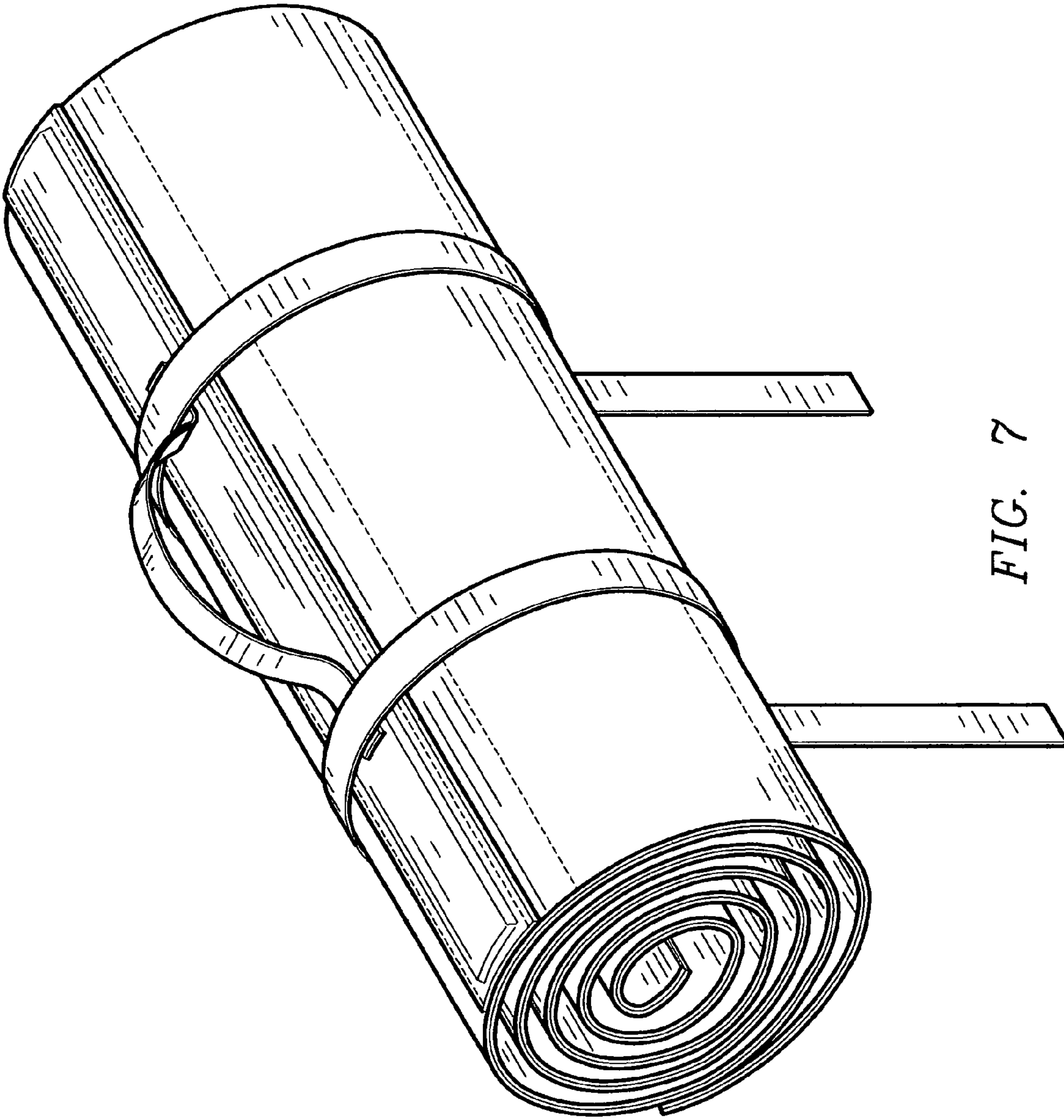


FIG. 7



UNITED STATES PATENT AND TRADEMARK OFFICE  
**CERTIFICATE OF CORRECTION**

PATENT NO. : D627,167 S  
APPLICATION NO. : 29/315745  
DATED : November 16, 2010  
INVENTOR(S) : Kittrell

Page 1 of 1

It is certified that error appears in the above-identified patent and that said Letters Patent is hereby corrected as shown below:

On the Title Page:

Column 2

Description: Fig. 1 should read -- is a perspective view of a roll-up pack showing my new design --

Signed and Sealed this  
First Day of February, 2011

A handwritten signature in black ink that reads "David J. Kappos". The signature is written in a cursive style with a large initial "D".

David J. Kappos  
*Director of the United States Patent and Trademark Office*