



US00D627166S

(12) **United States Design Patent**  
**Fahim**

(10) **Patent No.:** **US D627,166 S**  
(45) **Date of Patent:** **\*\* Nov. 16, 2010**

(54) **ATTACHABLE WAIST-LEVEL WORKSTATION**

(76) Inventor: **Mohammad Fahim**, 54 Domey, Adelaide Road, London (GB) NW3 3PP

(\*\*) Term: **14 Years**

(21) Appl. No.: **29/329,654**

(22) Filed: **Dec. 18, 2008**

(51) **LOC (9) Cl.** ..... **06-01**

(52) **U.S. Cl.** ..... **D3/287; D3/900; D6/406.4**

(58) **Field of Classification Search** .... D6/406.1–406.6, D6/421, 422; D3/274, 276, 294, 295, 900, D3/287; D19/91; 108/43, 115; 434/432  
See application file for complete search history.

(56) **References Cited**

**U.S. PATENT DOCUMENTS**

1,232,089	A	7/1917	Riebe	
2,481,107	A	9/1949	Gore	
D202,250	S *	9/1965	Hauser	D3/274
D273,537	S *	4/1984	Gerch	D13/168
4,609,084	A *	9/1986	Thomas	190/110
D292,746	S *	11/1987	Allen	D3/274
4,715,293	A	12/1987	Cobbs	
4,733,806	A *	3/1988	Sloop	206/316.2
D317,788	S *	6/1991	DeWitt	D19/88
D329,957	S *	10/1992	Hartnett	D6/601
5,242,056	A *	9/1993	Zia et al.	206/576
D346,310	S	4/1994	Schlesier et al.	
5,400,903	A *	3/1995	Cooley	206/320
5,421,499	A	6/1995	Bauer	
5,445,266	A *	8/1995	Prete et al.	206/320
D364,503	S *	11/1995	Johnson	D3/273
5,639,004	A *	6/1997	Carlton et al.	224/579
D383,605	S *	9/1997	Usuriello	D3/284
5,680,973	A *	10/1997	Vulpitta et al.	224/153
5,717,567	A *	2/1998	Tao	361/679.45
5,724,225	A *	3/1998	Hrusoff et al.	361/679.55
5,762,250	A	6/1998	Carlton et al.	
5,938,096	A *	8/1999	Sauer et al.	224/625
D414,751	S *	10/1999	Yogalingam	D14/335

D419,769	S *	2/2000	Germano	D3/274
6,105,763	A *	8/2000	Saetia	206/320
6,106,016	A	8/2000	Bette	
6,145,661	A *	11/2000	Jung	206/320
6,571,948	B2 *	6/2003	Jones	206/320
D483,961	S	12/2003	Hasz	
D503,279	S *	3/2005	Smith	D3/283
7,280,355	B2 *	10/2007	Taylor	361/679.48
7,303,077	B2 *	12/2007	Harlocker	206/576
7,637,218	B1 *	12/2009	Burton	108/43

\* cited by examiner

*Primary Examiner*—Charles A Rademaker

*Assistant Examiner*—Charles D Hanson

(57) **CLAIM**

The ornamental design for an attachable waist-level workstation, as shown and described.

**DESCRIPTION**

FIG. 1 is a perspective view of an attachable waist-level workstation showing my new design, with the base in an opened position and break lines near the strap members to indicate adjustable length;

FIG. 2 is a side view thereof;

FIG. 3 is an opposite side view thereof;

FIG. 4 is a front view thereof;

FIG. 5 is a back view thereof;

FIG. 6 is a top view thereof;

FIG. 7 is a bottom view thereof;

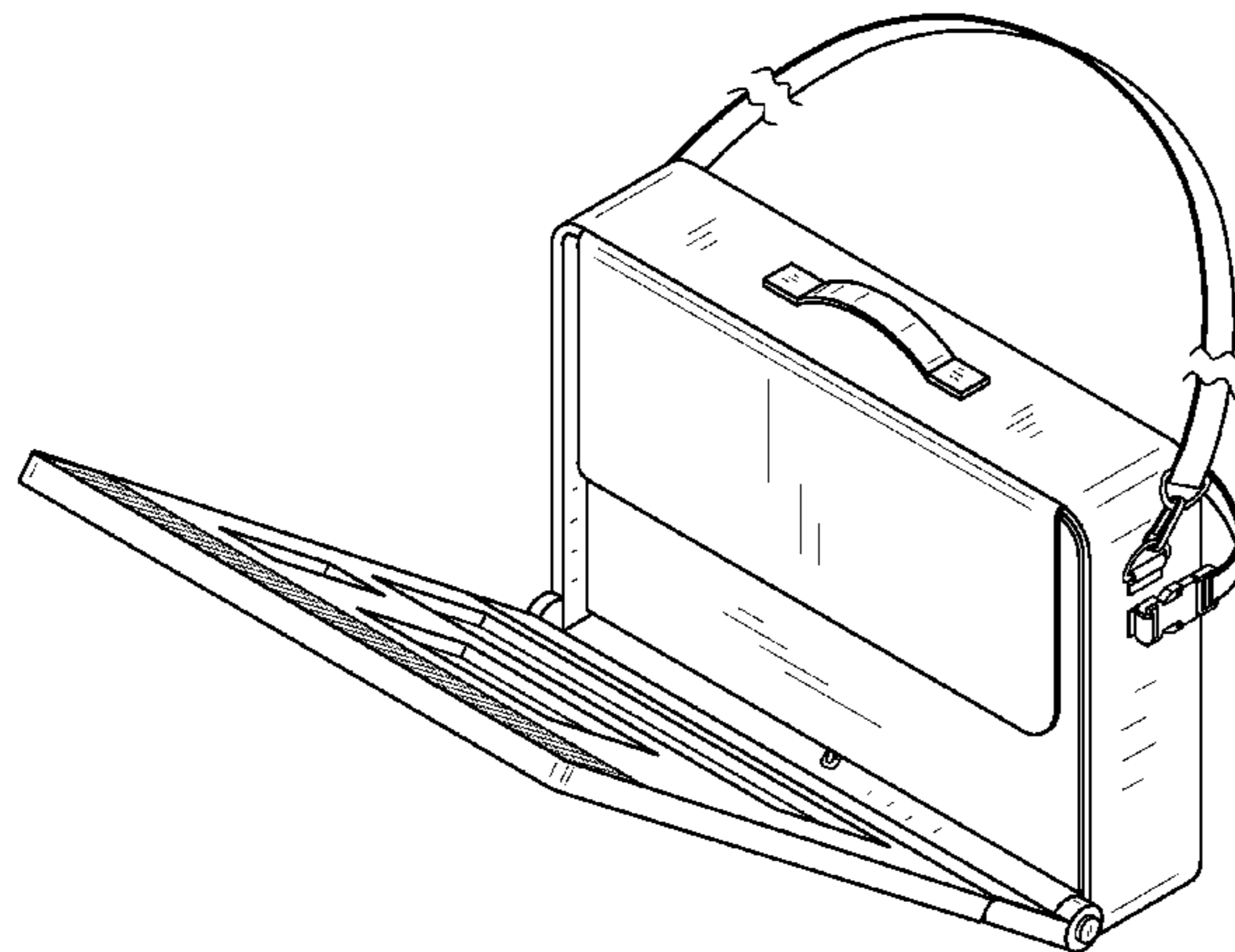
FIG. 8 is another perspective view thereof, the broken lines showing an extended platform;

FIG. 9 is another top view thereof; and,

FIG. 10 is another side view thereof.

The broken lines shown in FIGS. 3, 8, 9 and 10 illustrate environmental structure forming no part of the claimed design.

**1 Claim, 7 Drawing Sheets**



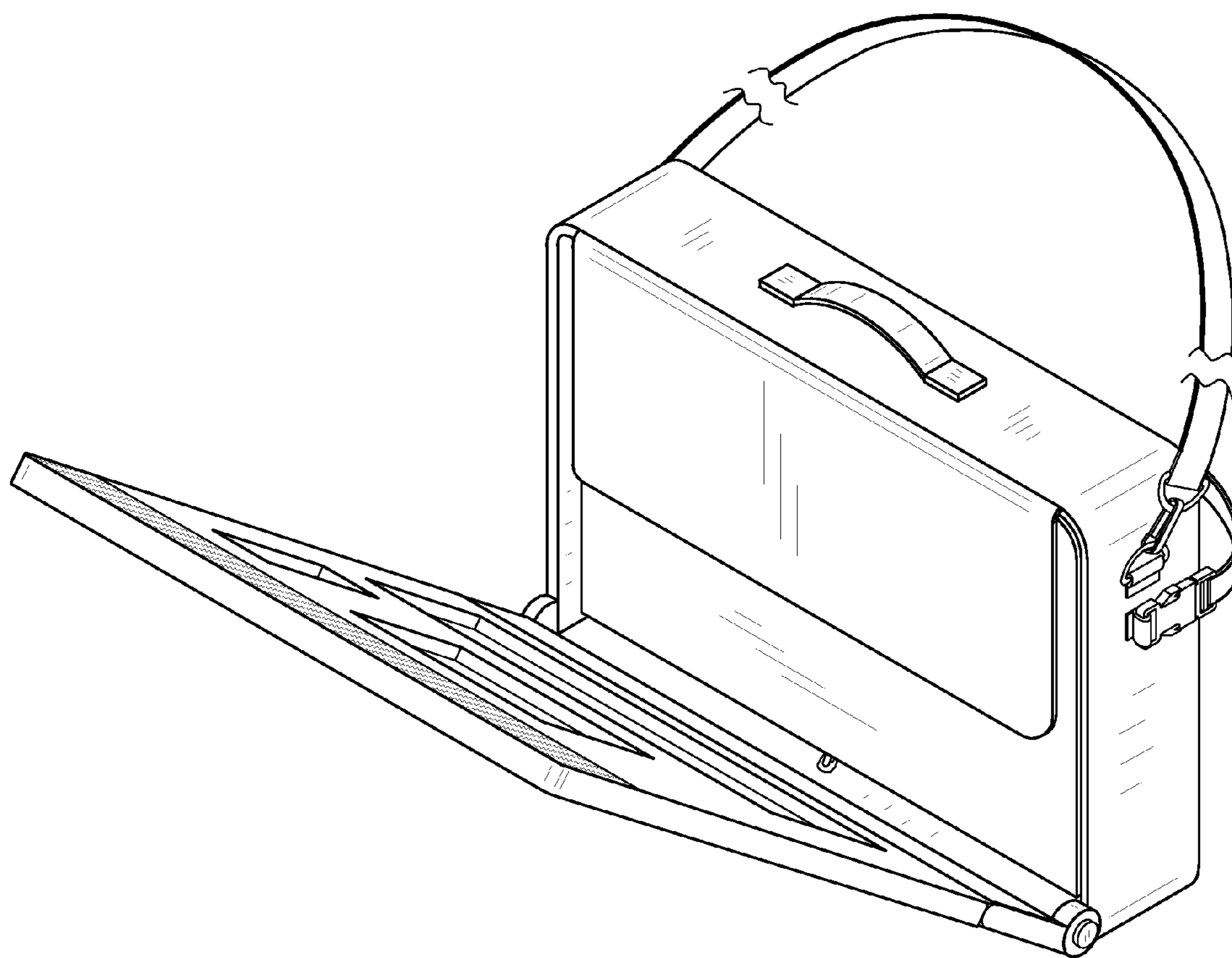


FIG. 1

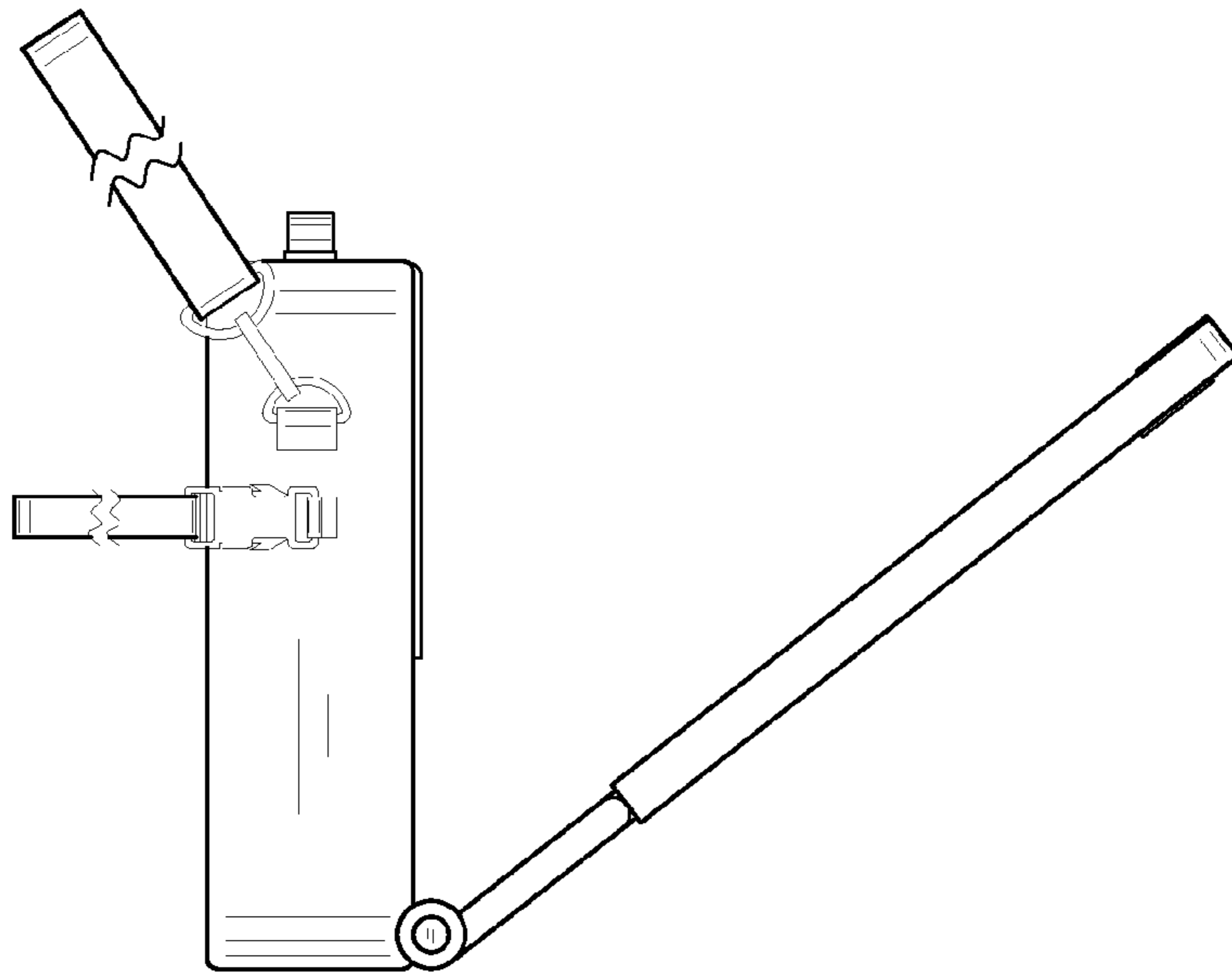


FIG. 2

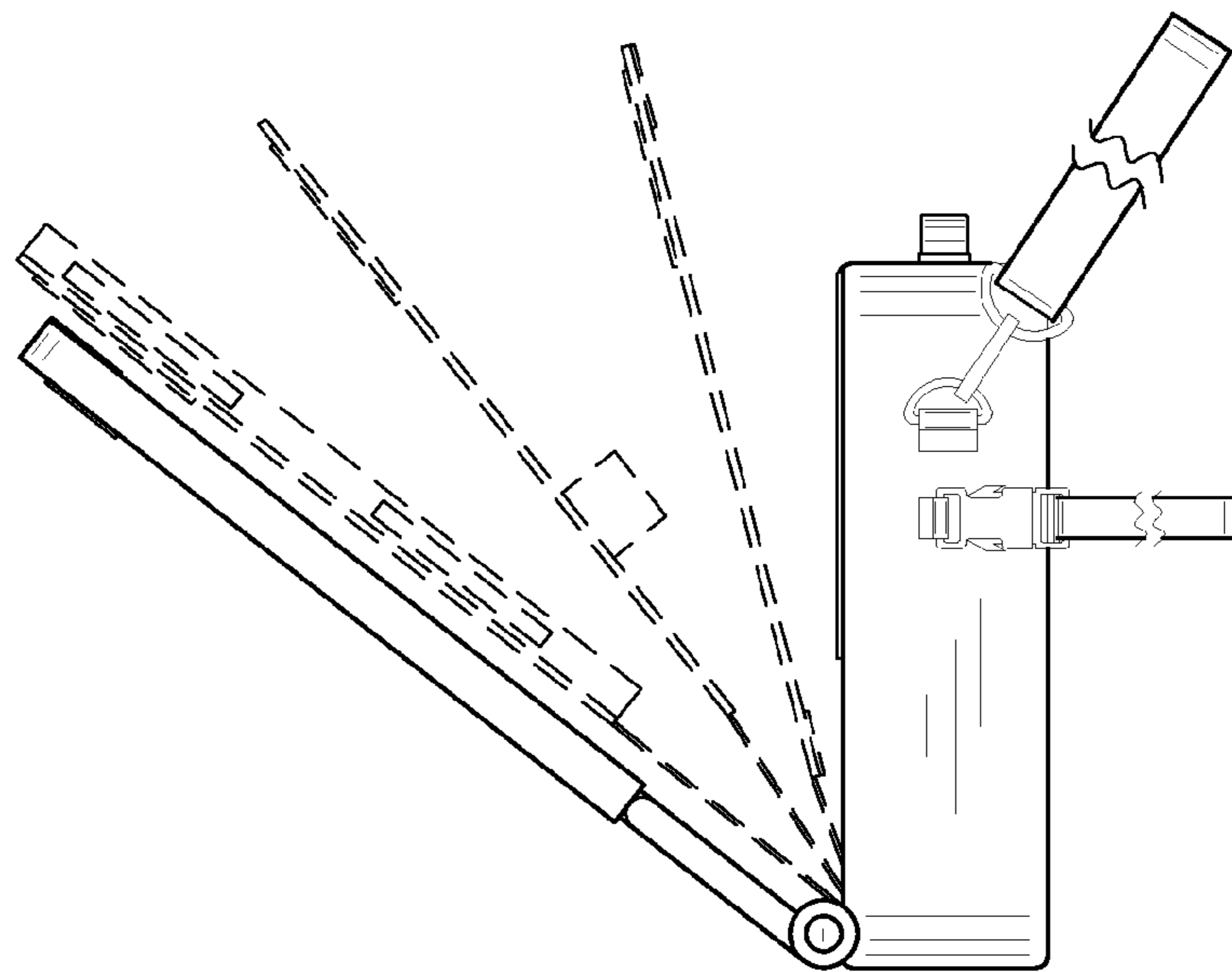


FIG. 3

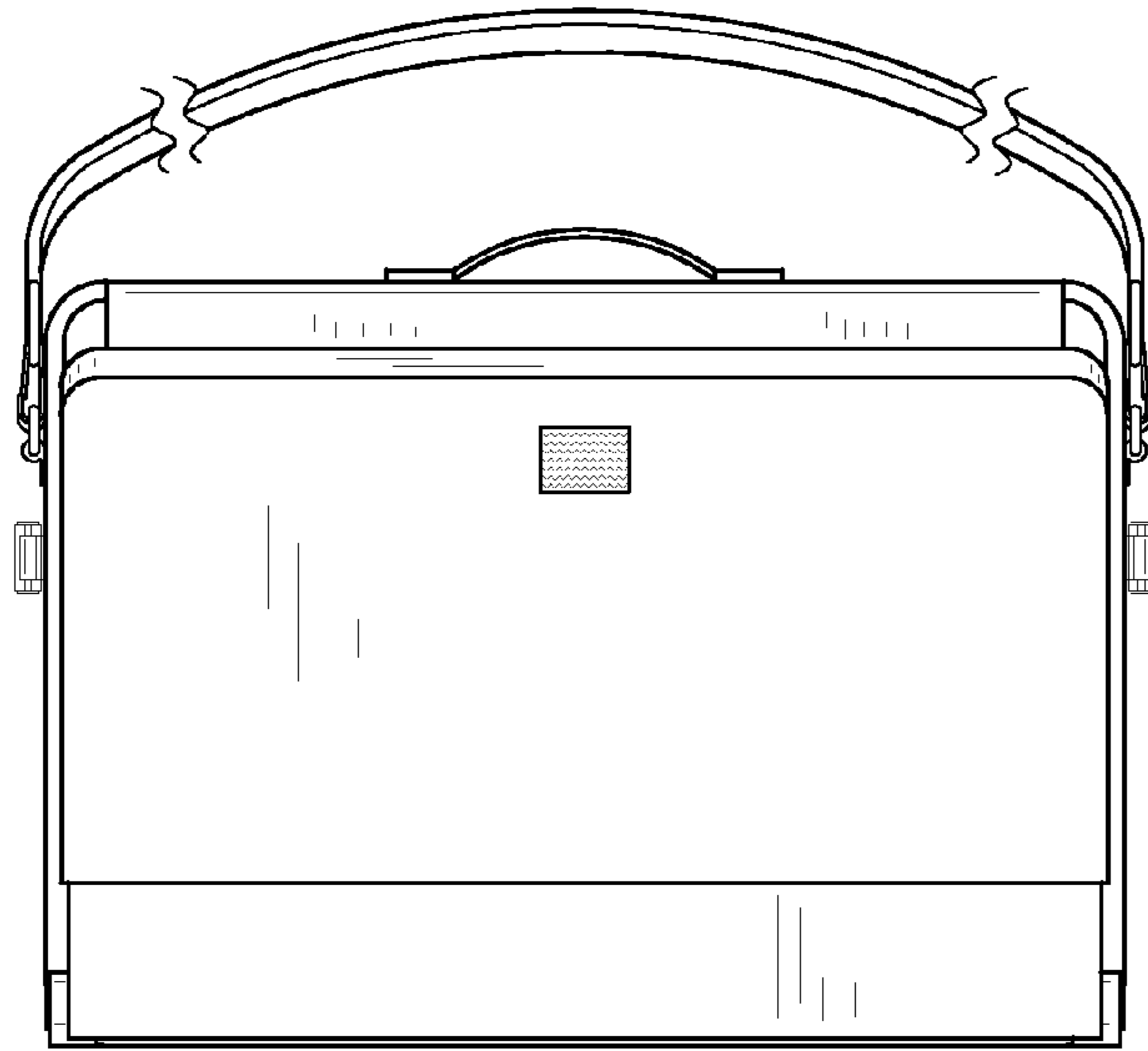


FIG. 4

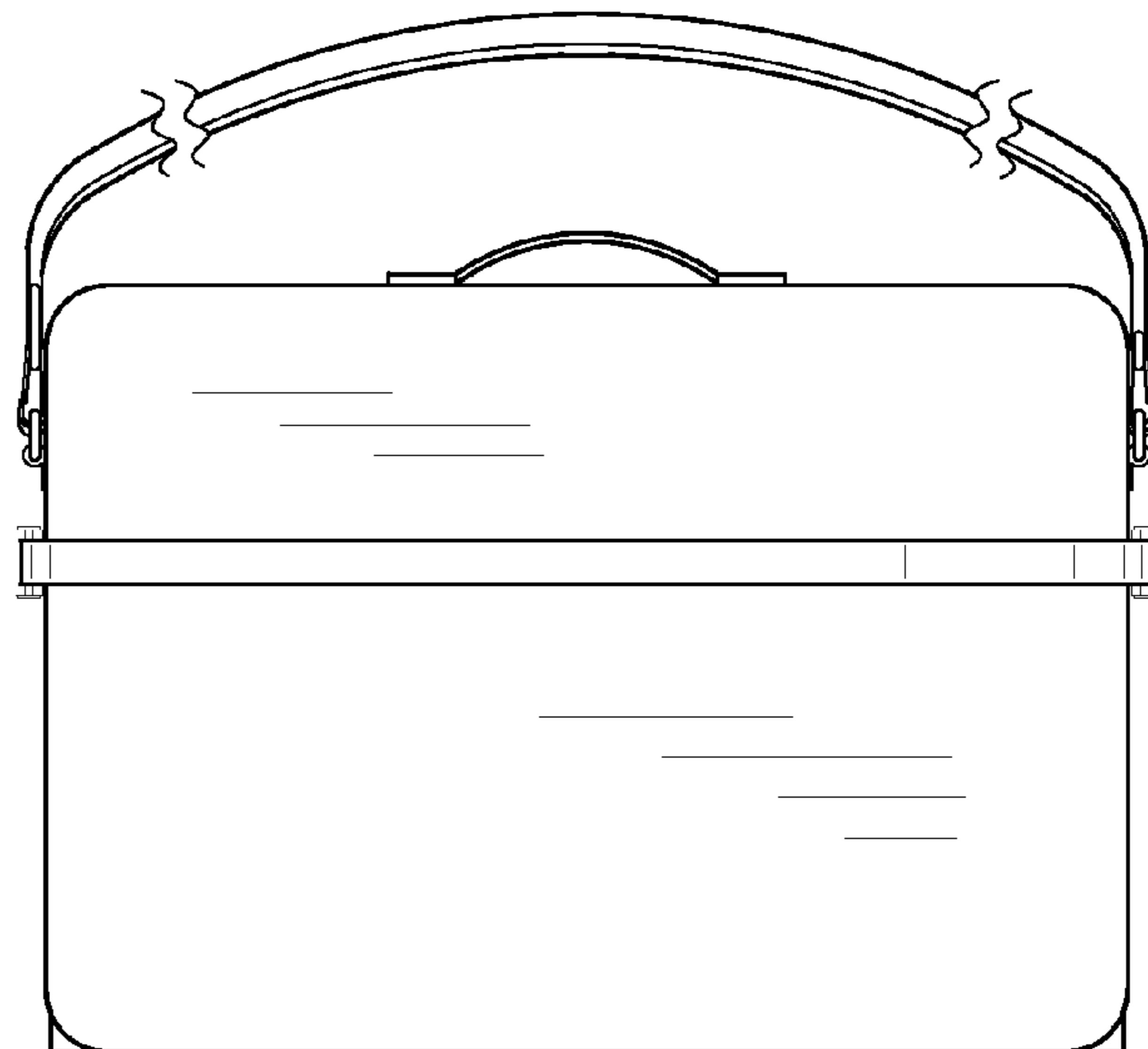


FIG. 5

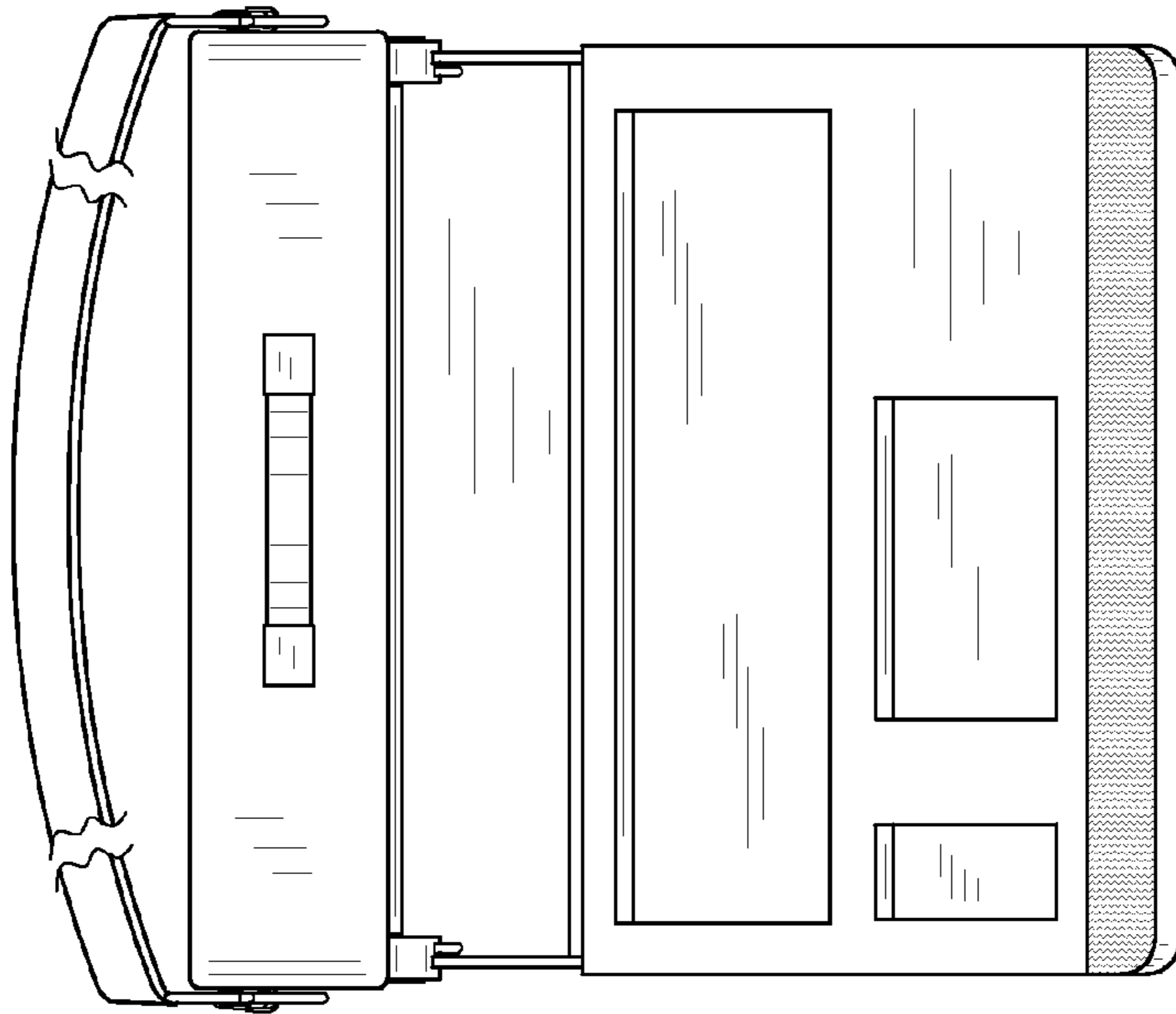


FIG. 6

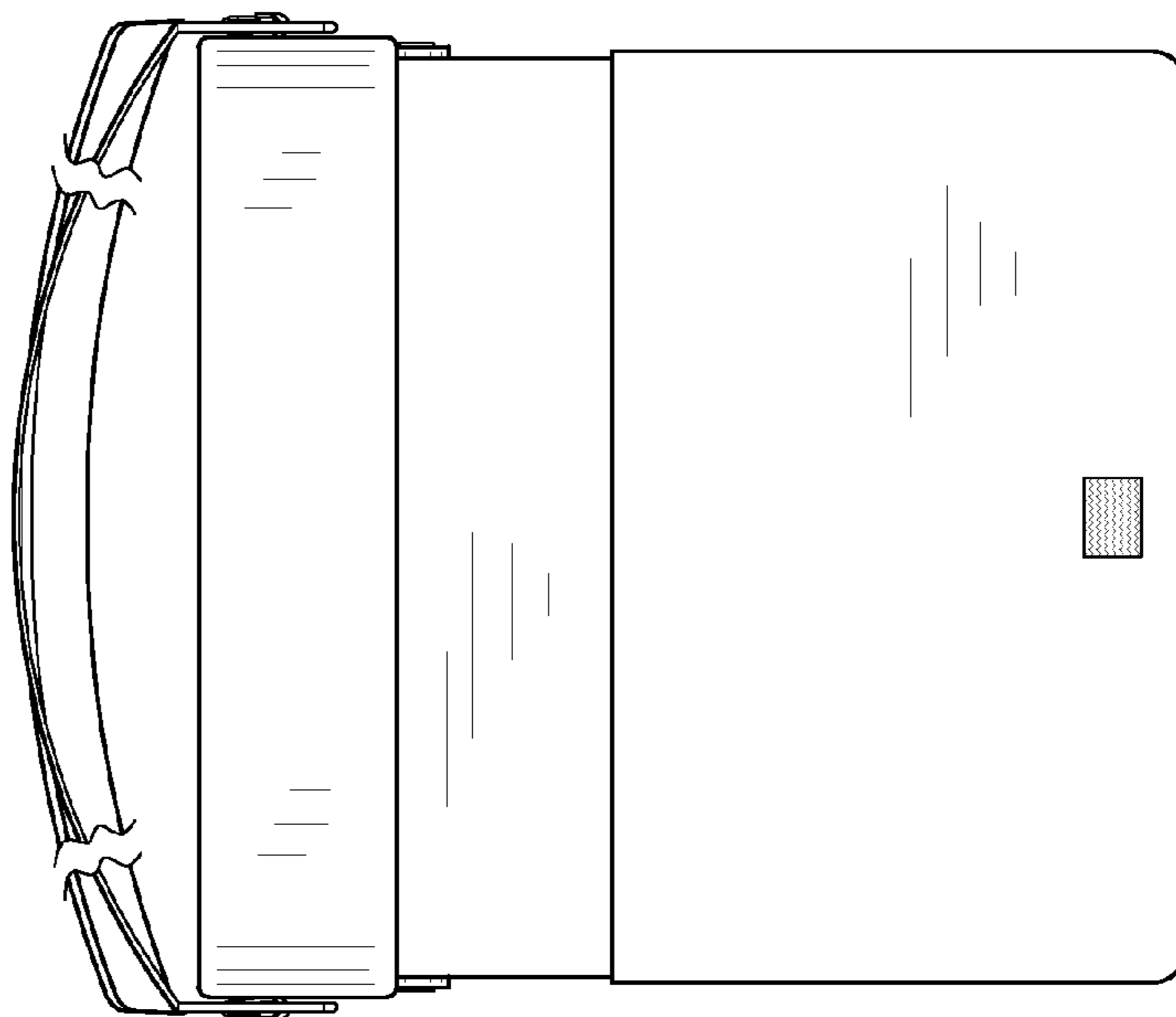


FIG. 7

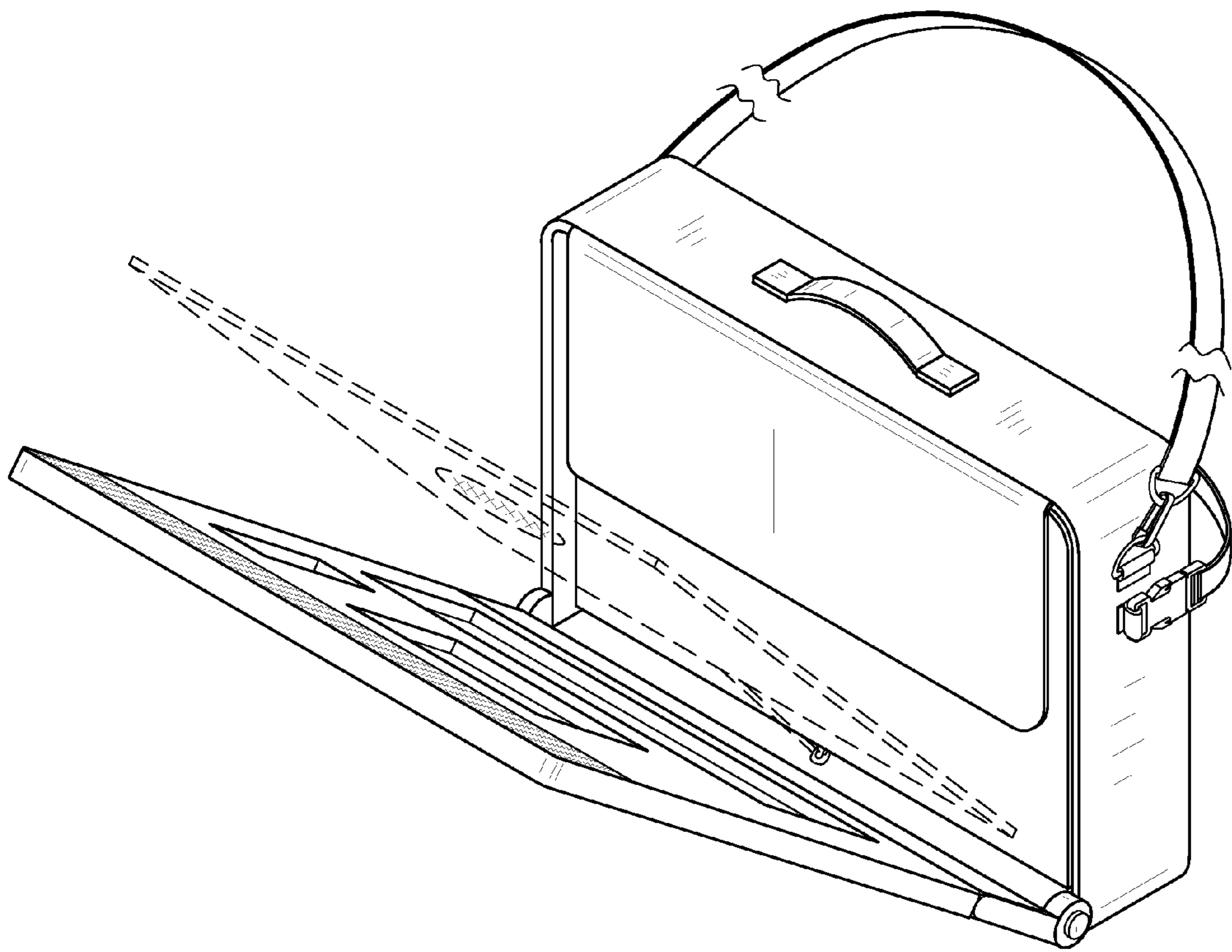


FIG. 8

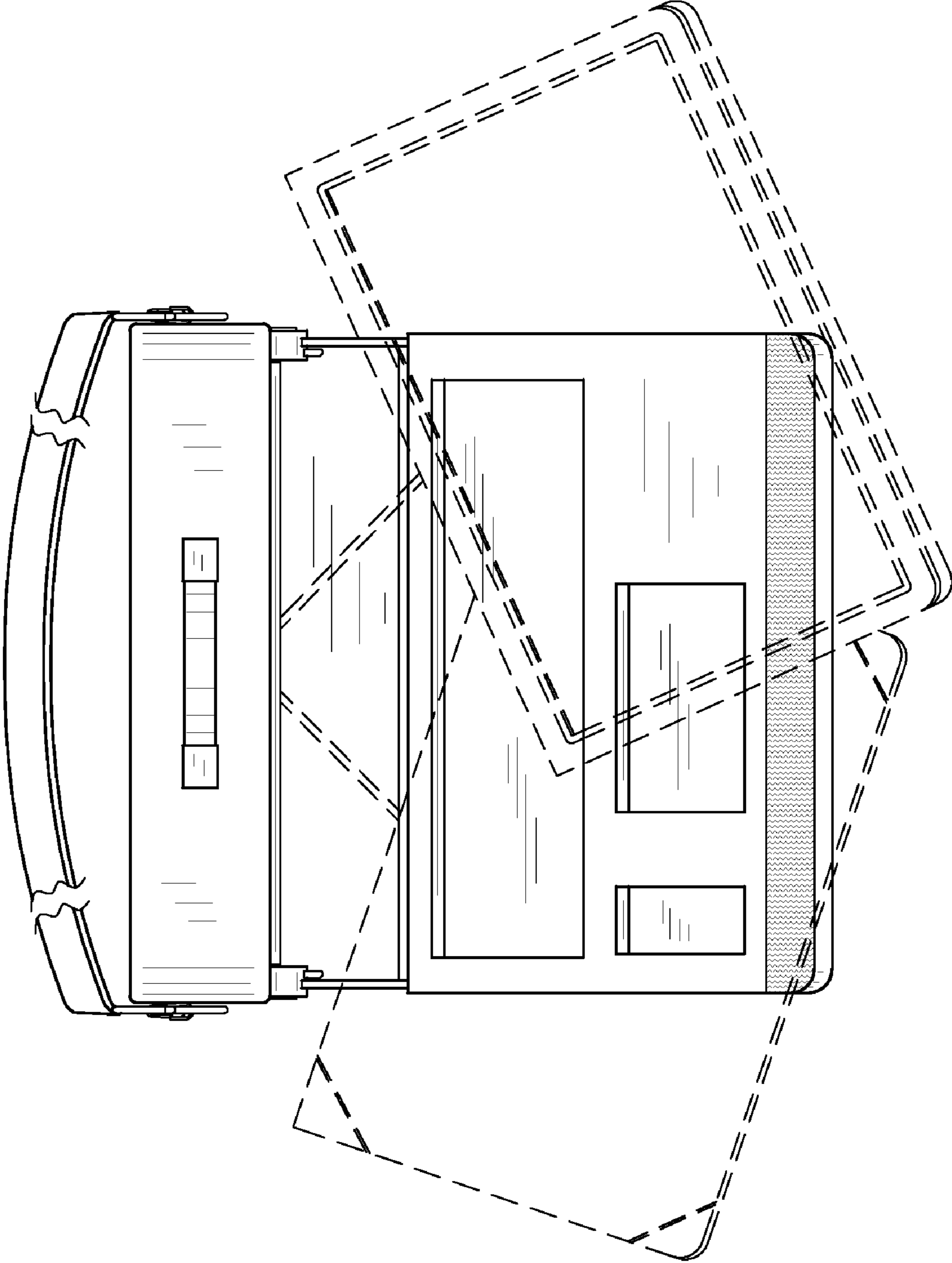


FIG. 9

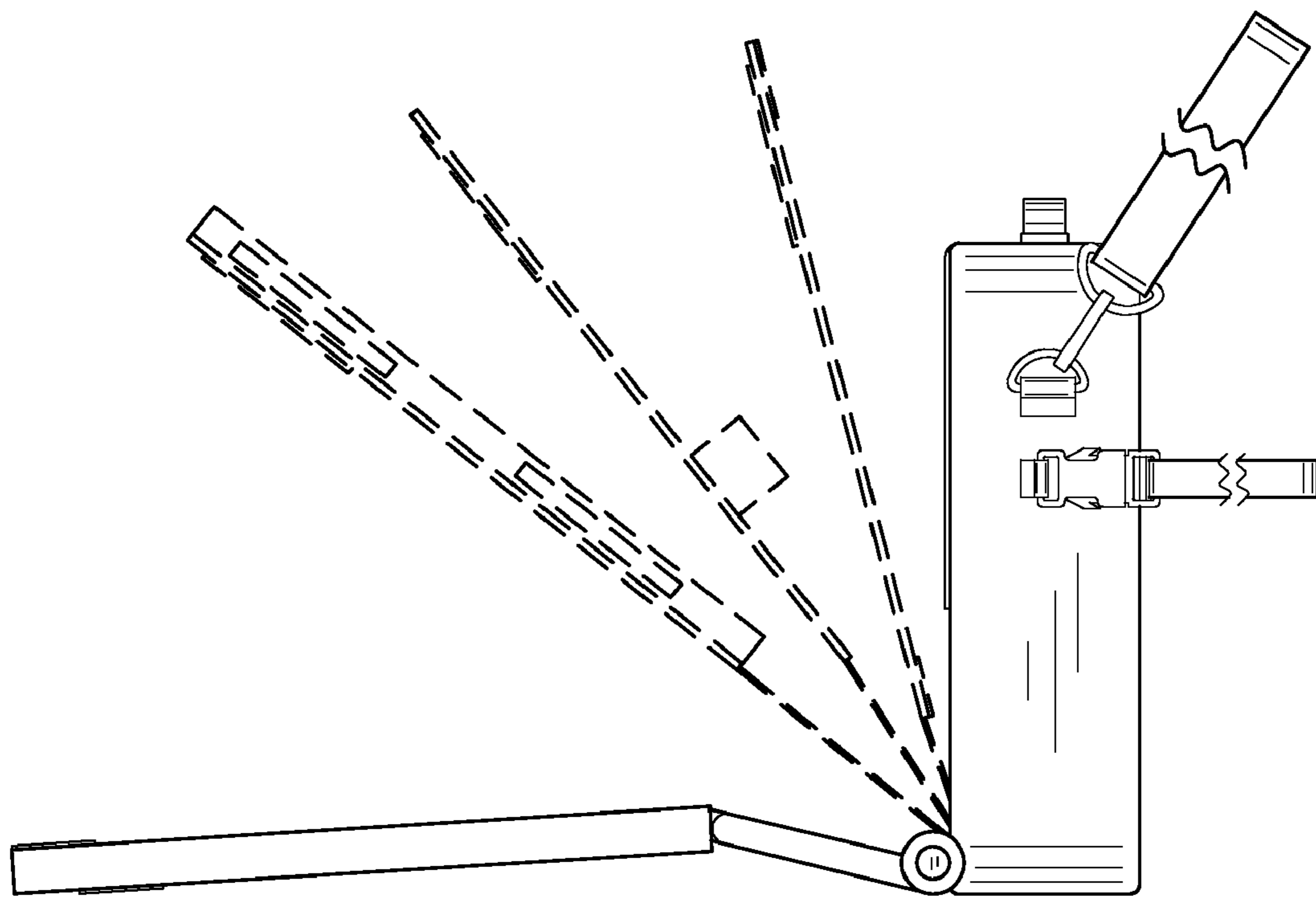


FIG. 10