



US00D627165S

(12) **United States Design Patent**  
**Habersetzer**

(10) **Patent No.:** **US D627,165 S**

(45) **Date of Patent:** **\*\* Nov. 16, 2010**

(54) **LIVE DEVICE SEIZURE KIT**

(75) Inventor: **Vernon Habersetzer**, Rogers, AK (US)

(73) Assignee: **Wal-Mart Stores, Inc.**, Bentonville, AR (US)

(\*\*) Term: **14 Years**

(21) Appl. No.: **29/340,166**

(22) Filed: **Jul. 14, 2009**

(51) **LOC (9) Cl.** ..... **03-01**

(52) **U.S. Cl.** ..... **D3/284**

(58) **Field of Classification Search** ..... D3/201,  
D3/273, 274, 276, 281, 283, 284, 294, 295,  
D3/302, 318, 321, 323, 905; 190/102, 121,  
190/124; 206/349; 220/675; 222/465.1  
See application file for complete search history.

(56) **References Cited**

**U.S. PATENT DOCUMENTS**

2,343,763	A *	3/1944	Fridolph	.....	312/306
D165,240	S *	11/1951	Pichel	.....	D3/241
3,612,335	A *	10/1971	Schurman	.....	220/324
D236,553	S *	8/1975	Rams	.....	D3/274
D249,584	S *	9/1978	Atkinson	.....	D3/204
D268,714	S *	4/1983	Goedel	.....	D3/295
D269,648	S *	7/1983	Wilcox et al.	.....	D3/282
D294,757	S *	3/1988	Kahane et al.	.....	D32/36
4,790,431	A *	12/1988	Reel et al.	.....	312/223.2
4,890,705	A *	1/1990	Pineda	.....	190/18 A
D313,695	S *	1/1991	Mawhinney et al.	.....	D12/422
D333,385	S *	2/1993	Schmid	.....	D3/295
D341,027	S *	11/1993	Godden et al.	.....	D3/274
D344,074	S *	2/1994	Collins	.....	D3/274
D347,324	S *	5/1994	Dickinson	.....	D3/272
D347,729	S *	6/1994	Bible, Jr.	.....	D3/274

(Continued)

*Primary Examiner*—Elizabeth A Albert

*Assistant Examiner*—Karen E Eldridge Powers

(74) *Attorney, Agent, or Firm*—SNR Denion US LLP

(57) **CLAIM**

The ornamental design for live device seizure kit, as shown and described.

**DESCRIPTION**

FIG. 1 is a perspective of the live device seizure kit with a lid in a closed position;

FIG. 2 is a perspective of the live device seizure kit illustrated in FIG. 1 with the lid in an open position;

FIG. 3 is a front side view of the live device seizure kit illustrated in FIG. 1 with the lid in the closed position;

FIG. 4 is a back side view of the live device seizure kit illustrated in FIG. 1 with the lid in the closed position;

FIG. 5 is a left side view of the live device seizure kit illustrated in FIG. 1 with the lid in the closed position;

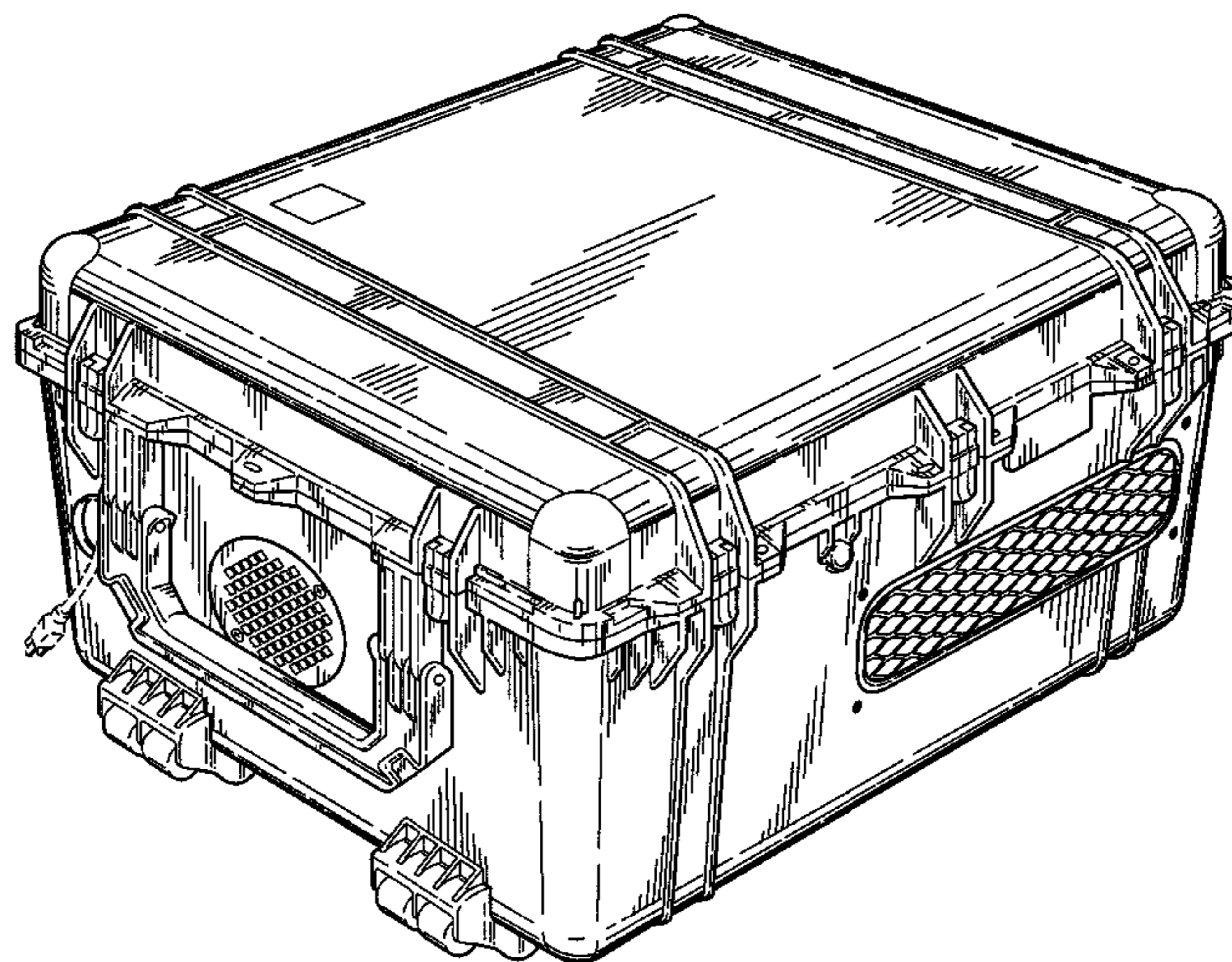
FIG. 6 is a right side view of the live device seizure kit illustrated in FIG. 1 with the lid in the closed position;

FIG. 7 is a top view of the live device seizure kit illustrated in FIG. 1 with the lid in the closed position; and,

FIG. 8 is a bottom view of the live device seizure kit illustrated in FIG. 1 with the lid in the closed position.

The uniformly-segmented broken lines shown in the drawings illustrate portions of the article to which the claimed design is applied that form no part of the claim. The stippling shown in FIG. 2 illustrates texture. The crosshatched pattern on items inside the lid shown in FIG. 2, although shown intermittently, is meant to represent fabric, and is understood to be distributed uniformly over the surfaces on which it occurs.

**1 Claim, 6 Drawing Sheets**



# US D627,165 S

Page 2

---

## U.S. PATENT DOCUMENTS

D379,562 S *	6/1997	Carter	.....	D3/295	D467,426 S *	12/2002	Hardigg et al.	.....	D3/279
D380,612 S *	7/1997	Kelley et al.	.....	D3/289	D467,428 S *	12/2002	Wolf	.....	D3/291
D389,309 S *	1/1998	Shaw	.....	D3/294	D471,710 S *	3/2003	Rushworth	.....	D3/276
D396,750 S *	8/1998	Slater et al.	.....	D3/295	D482,868 S *	12/2003	Tagliati et al.	.....	D3/277
D454,095 S *	3/2002	Ornelas	.....	D3/284	D525,789 S *	8/2006	Hosking	.....	D3/281
D458,751 S *	6/2002	Hsieh	.....	D3/294	D566,479 S *	4/2008	Kabalin	.....	D7/605
D462,519 S *	9/2002	Gaydos et al.	.....	D3/276	D609,911 S *	2/2010	Twig	.....	D3/279
					2002/0008043 A1 *	1/2002	Gunter	.....	206/278

\* cited by examiner

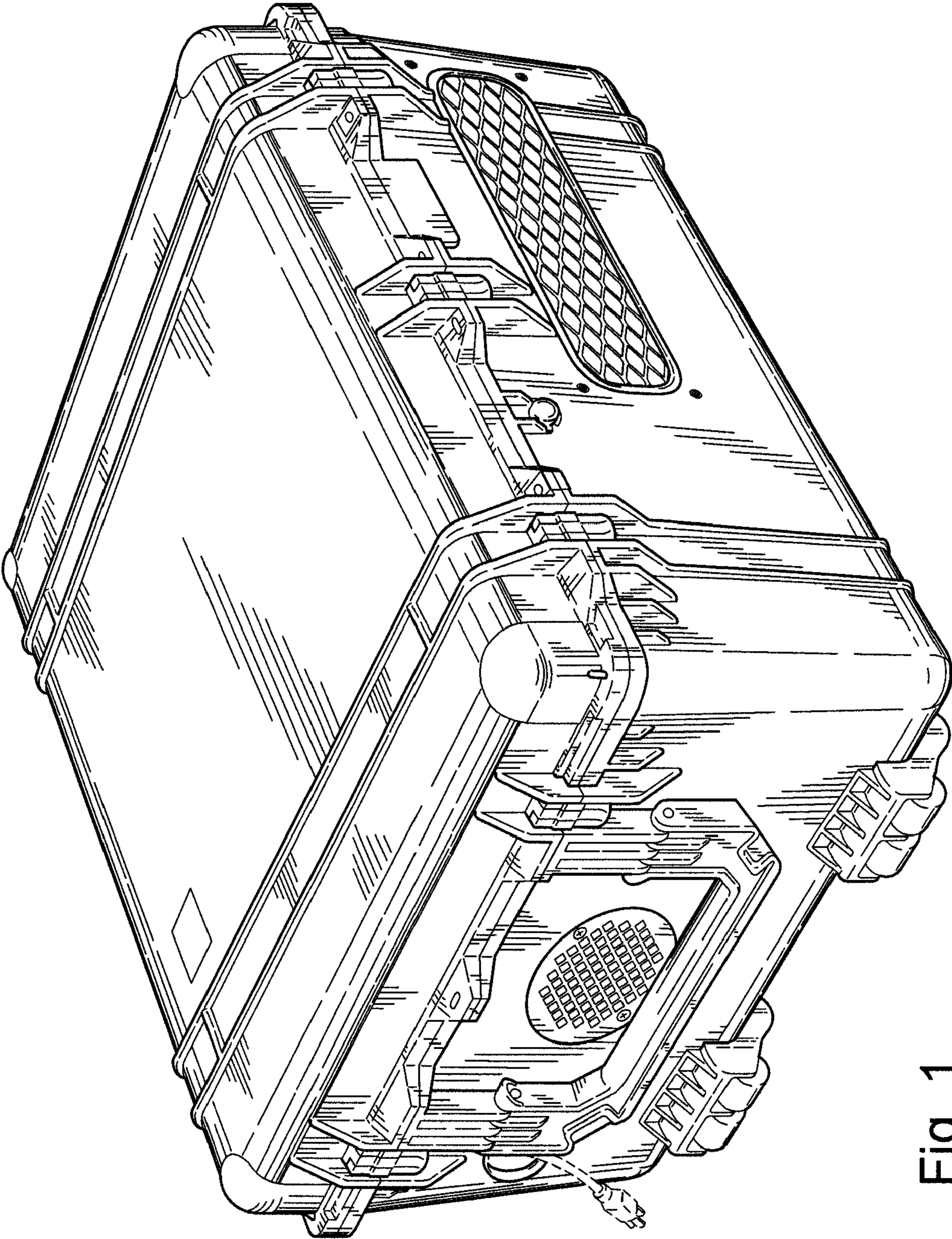


Fig. 1

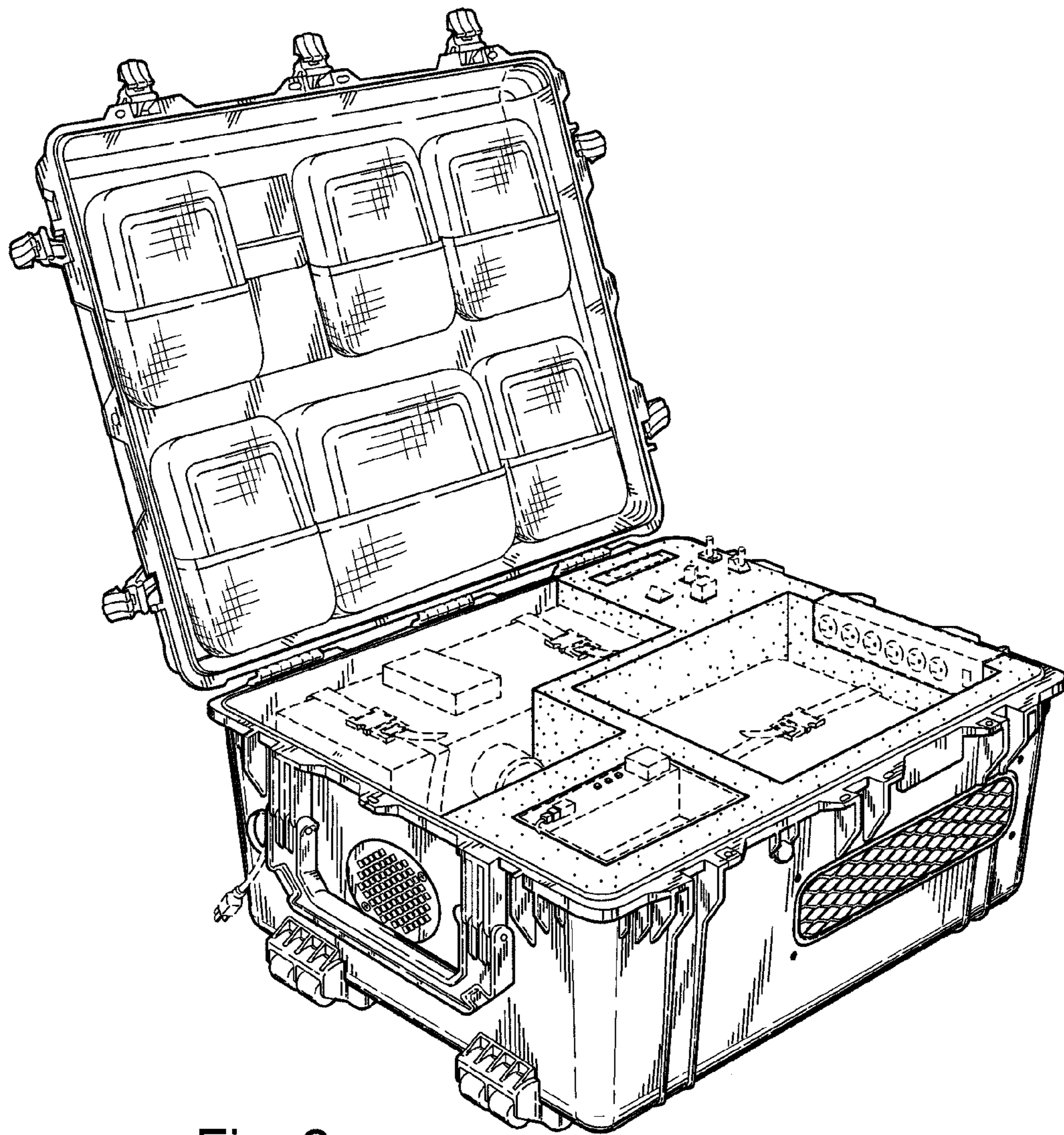


Fig. 2

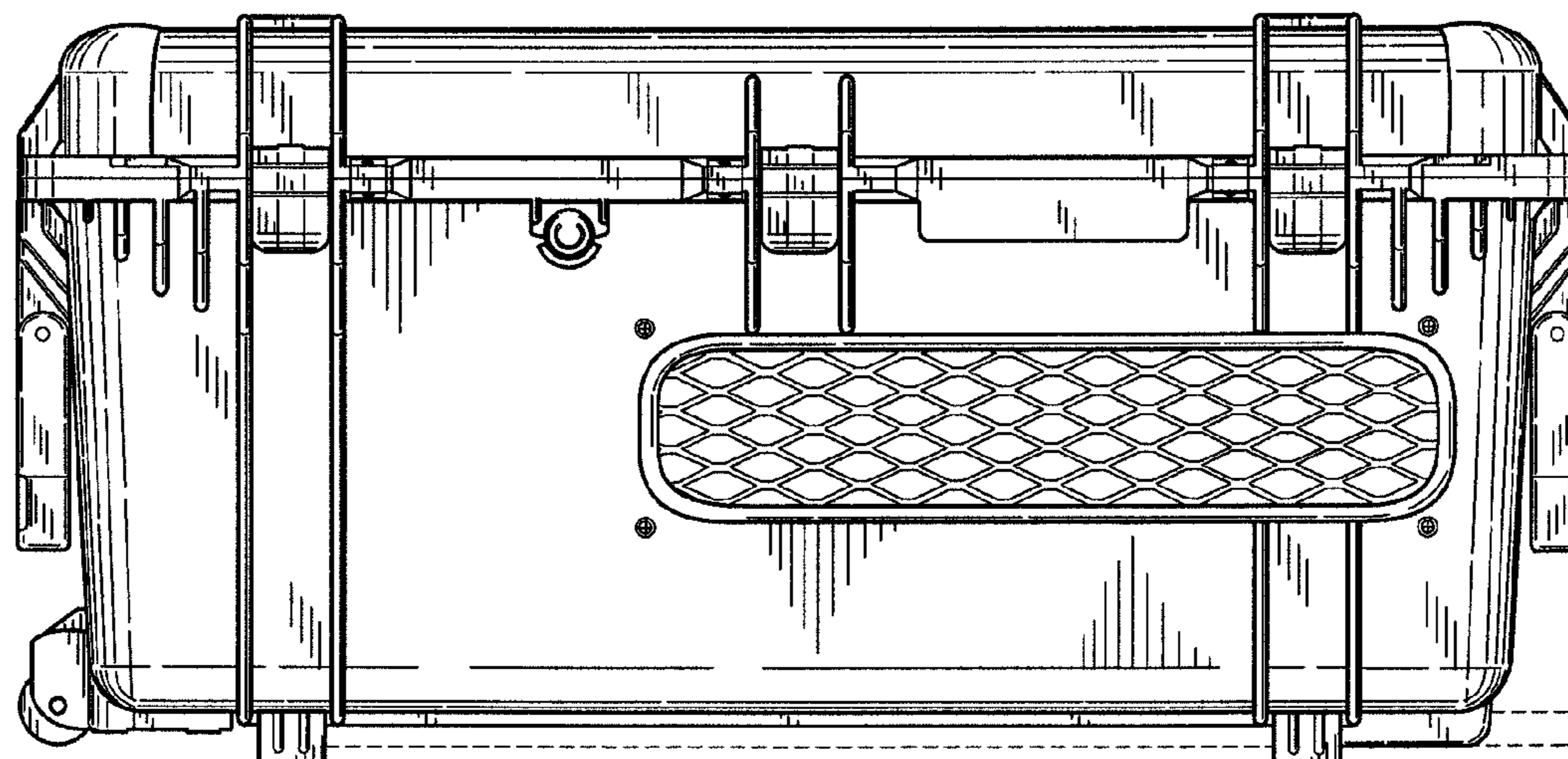


Fig. 3

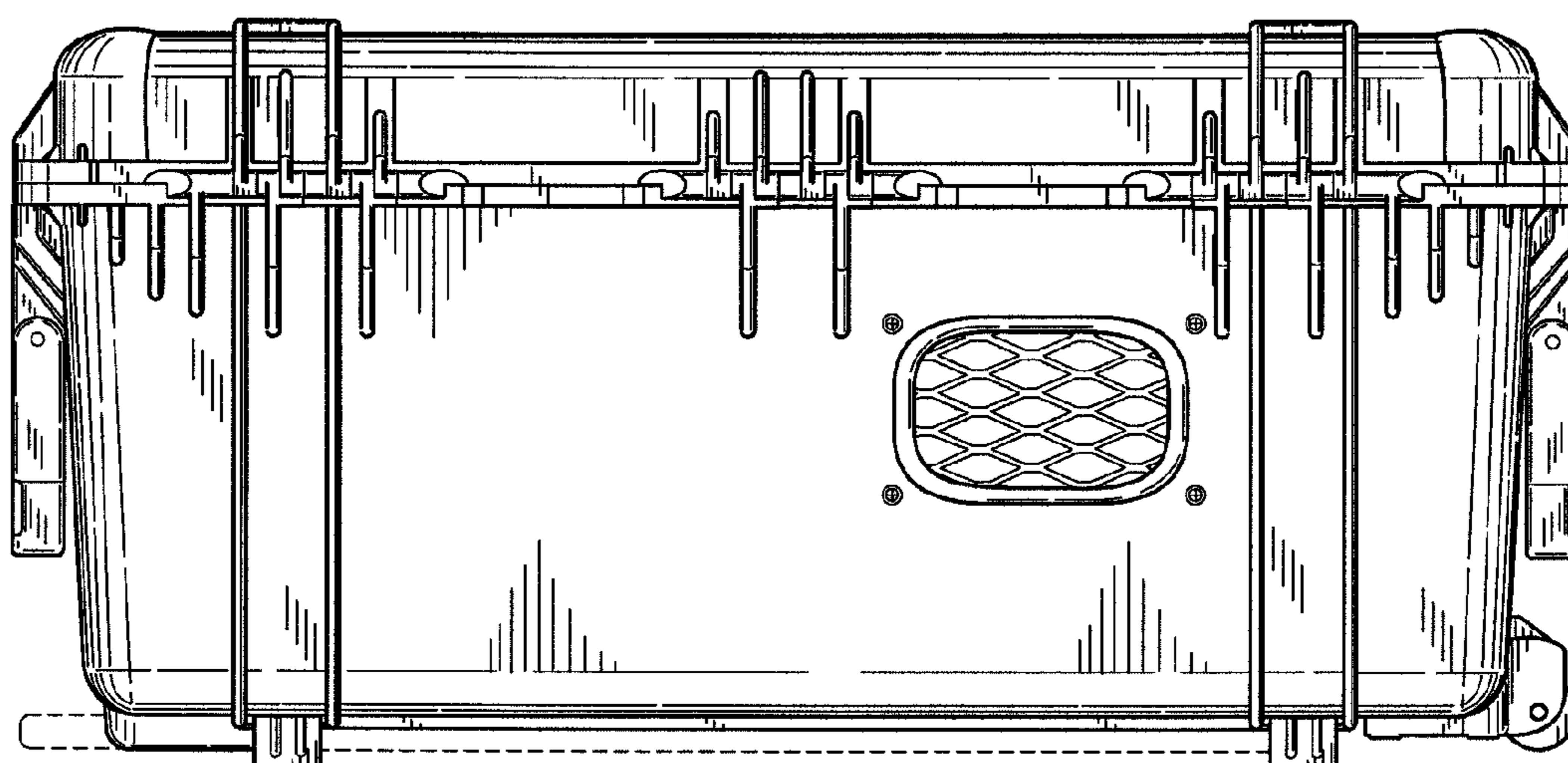


Fig. 4

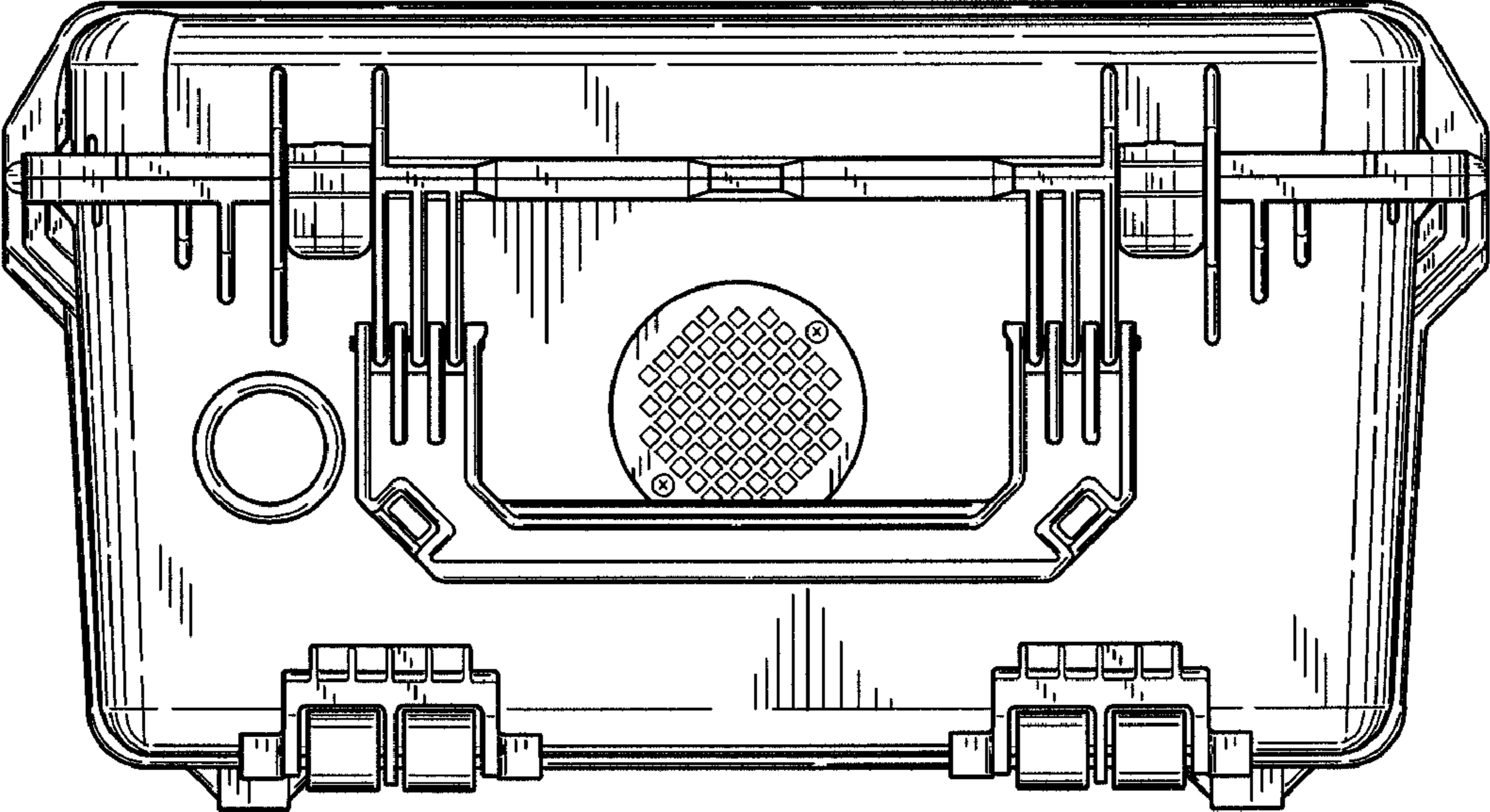


Fig. 5

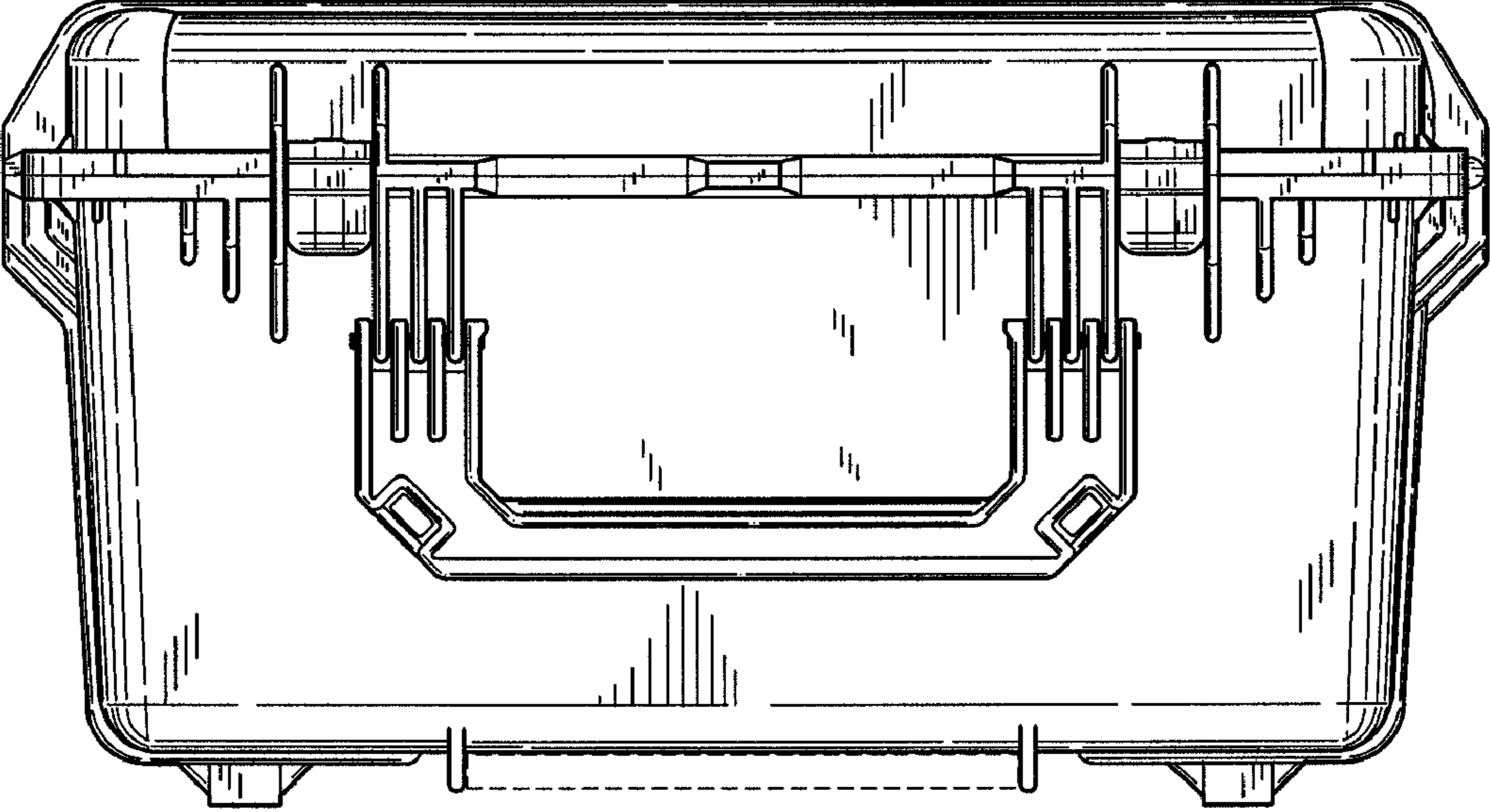


Fig. 6

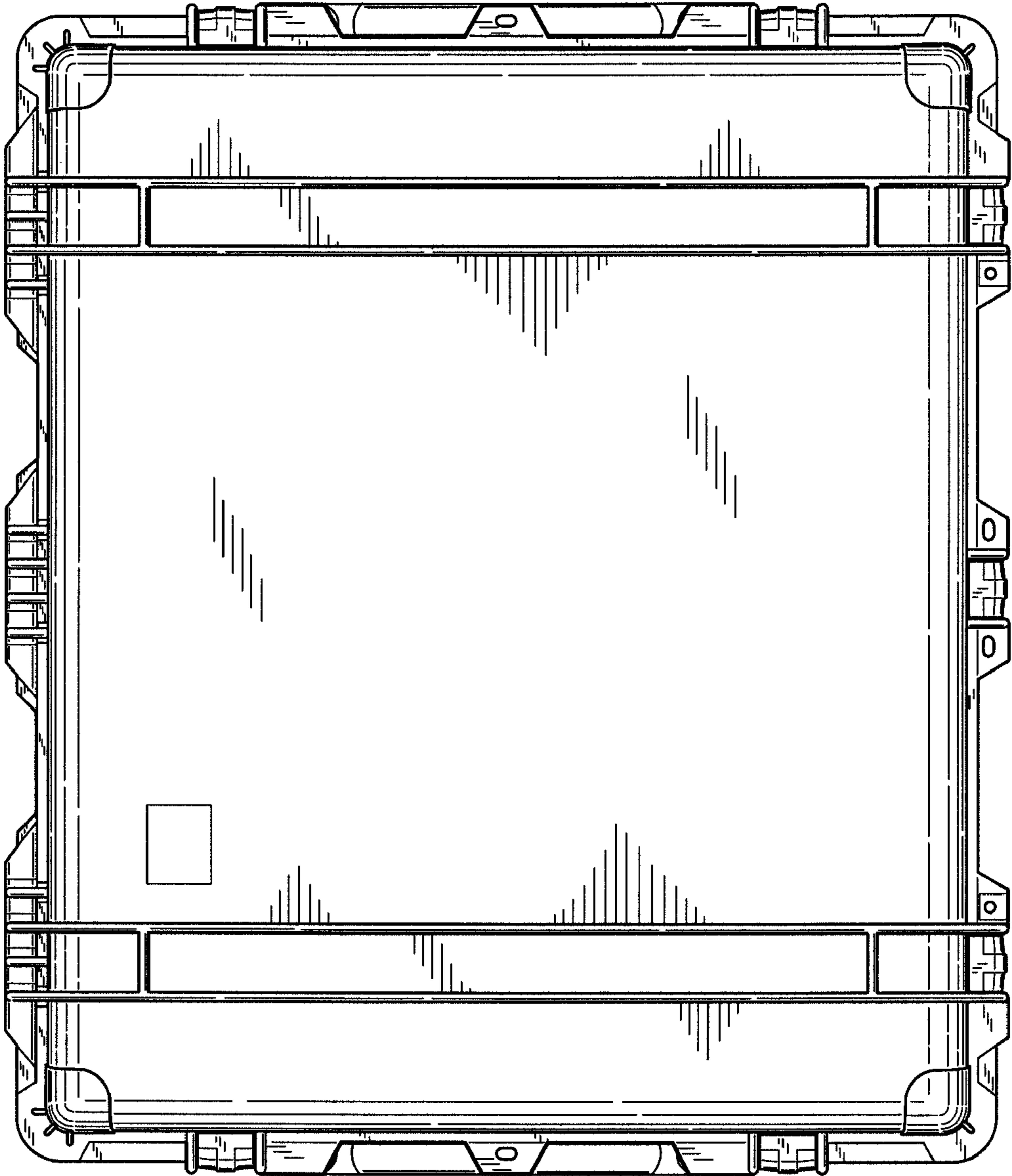


Fig. 7

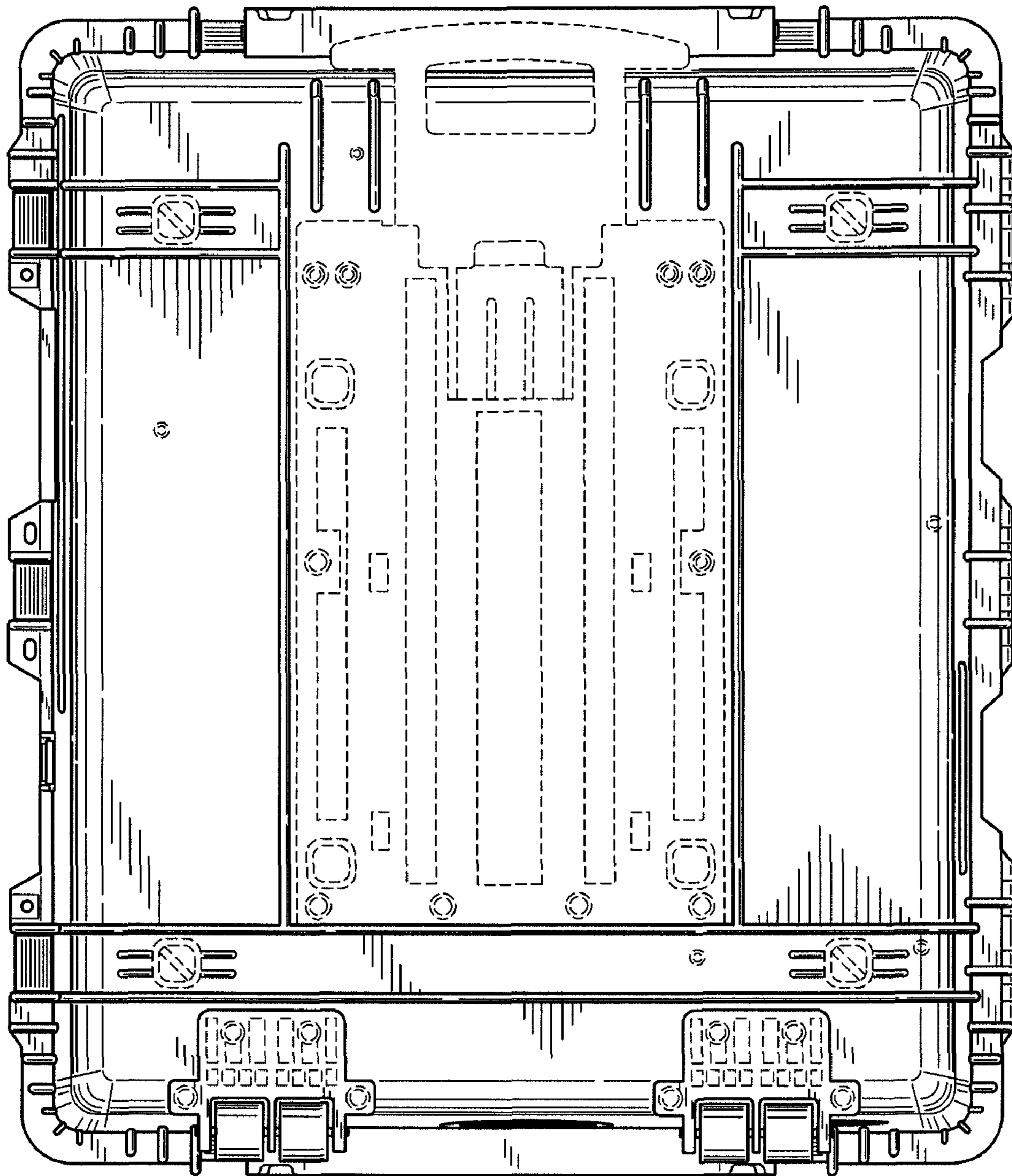


Fig. 8



UNITED STATES PATENT AND TRADEMARK OFFICE  
**CERTIFICATE OF CORRECTION**

PATENT NO. : D627,165 S  
APPLICATION NO. : 29/340166  
DATED : November 16, 2010  
INVENTOR(S) : Vernon Habersetzer

Page 1 of 1

It is certified that error appears in the above-identified patent and that said Letters Patent is hereby corrected as shown below:

On the cover page of the patent, the Inventor's State of Residence should be changed to -- AR -- as identified in the Declaration signed on July 13, 2009.

Signed and Sealed this  
First Day of February, 2011

A handwritten signature in black ink that reads "David J. Kappos". The signature is written in a cursive style with a large initial "D" and "K".

David J. Kappos  
*Director of the United States Patent and Trademark Office*