



US00D627161S

(12) **United States Design Patent**  
**Tilby**

(10) **Patent No.:** **US D627,161 S**

(45) **Date of Patent:** **\*\* Nov. 16, 2010**

(54) **DUCK DECOY BAG**

7,673,642 B1 \* 3/2010 Shires ..... 135/136  
7,677,260 B2 \* 3/2010 Sumner ..... 135/117

(75) Inventor: **V. John Tilby**, 9352 S. 670 West, Sandy,  
UT (US) 84070

\* cited by examiner

(73) Assignee: **V. John Tilby**, Draper, UT (US)

*Primary Examiner*—Caron Veynar  
*Assistant Examiner*—Abraham Bahta

(\*\*) Term: **14 Years**

(57) **CLAIM**

(21) Appl. No.: **29/292,837**

The ornamental design for the duck decoy bag, as shown and described.

(22) Filed: **Oct. 30, 2007**

(51) **LOC (9) Cl.** ..... **03-01**

(52) **U.S. Cl.** ..... **D3/262**

(58) **Field of Classification Search** ..... D3/262,  
D3/232-238, 244; D22/199; 43/2, 3; 220/287;  
206/315.11; 383/33, 43, 78-81, 117; 135/117,  
135/120.1, 121, 156, 115, 87

See application file for complete search history.

**DESCRIPTION**

FIG. 1 is a perspective view taken from the right front corner and with an attached strap alongside;

FIG. 2, a left side elevation view, the right side being a mirror image thereof;

FIG. 3, a rear elevation view;

FIG. 4, a bottom plan view; and,

FIG. 5, a front elevation view with the strap passing beneath, the rear elevation view being a mirror image thereof.

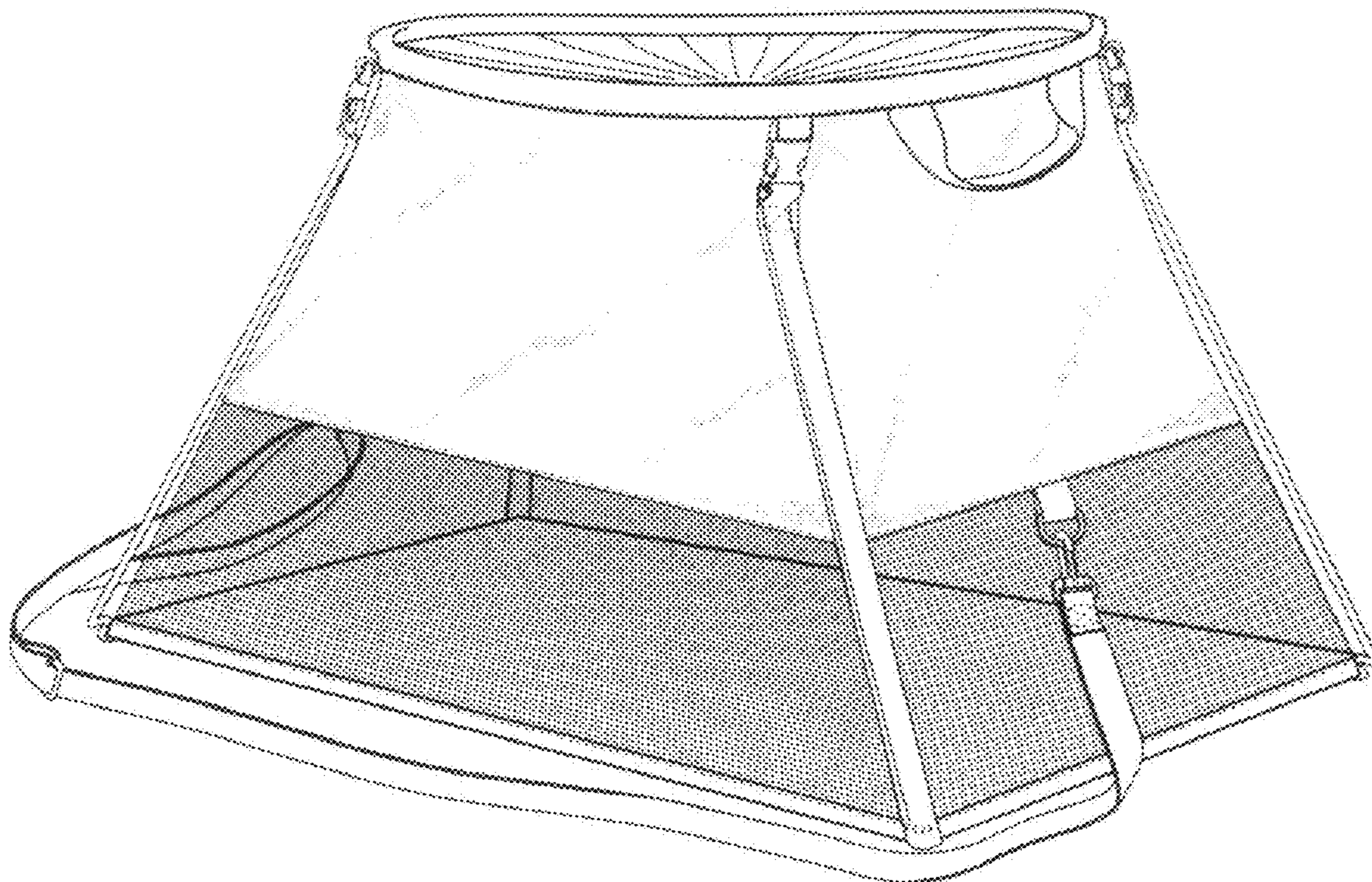
The broken lines showing portions of the duck decoy bag are included for the purpose of illustrating seams stitched to connect fabric components of the duck decoy bag.

(56) **References Cited**

**U.S. PATENT DOCUMENTS**

D470,910 S \* 2/2003 Abel ..... D22/199  
6,830,170 B2 \* 12/2004 Abel ..... 224/634  
7,316,238 B2 \* 1/2008 Sumner ..... 135/137  
7,503,695 B2 \* 3/2009 Anderson ..... 383/33

**1 Claim, 3 Drawing Sheets**



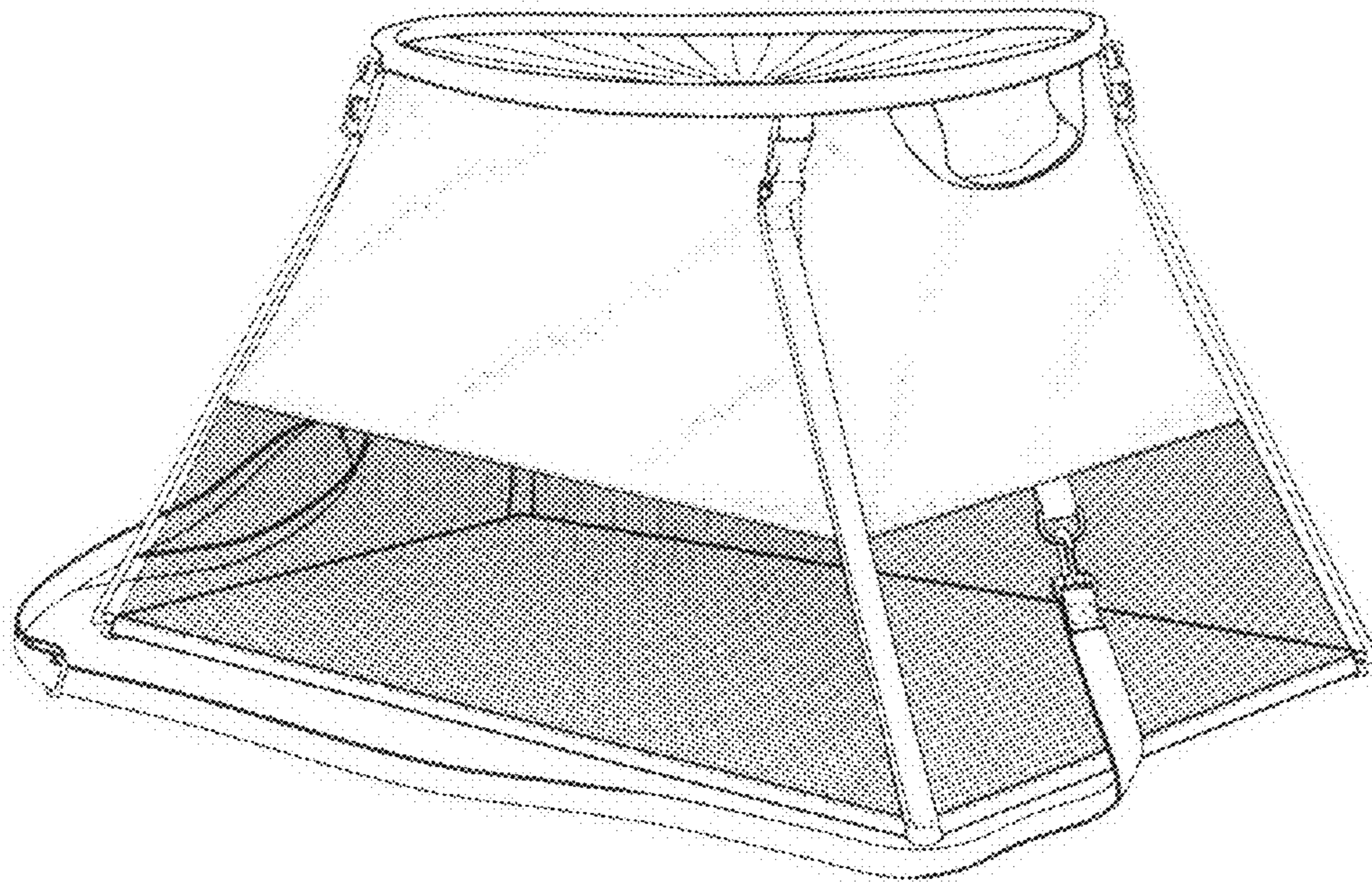


FIG. 1

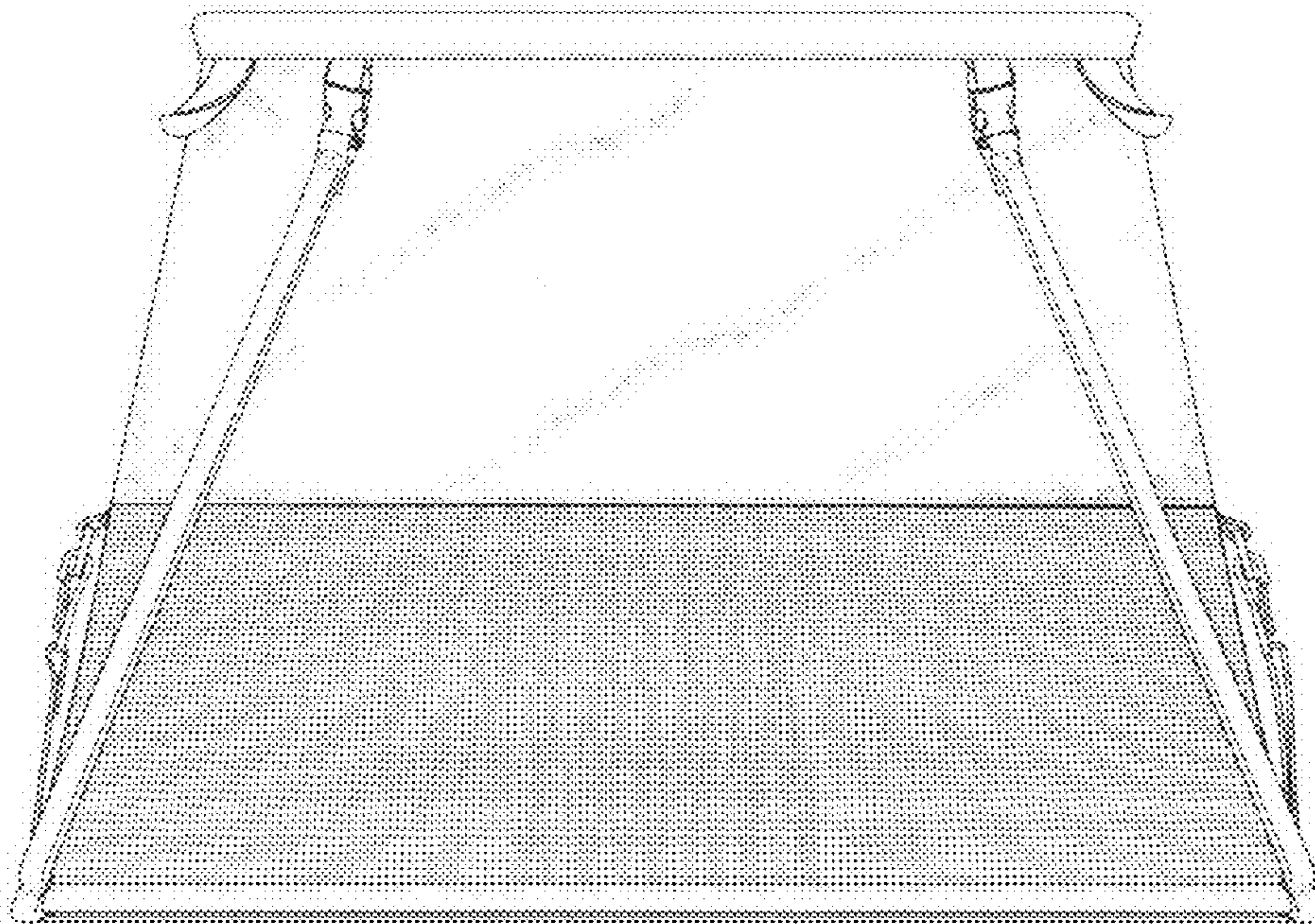


FIG. 2

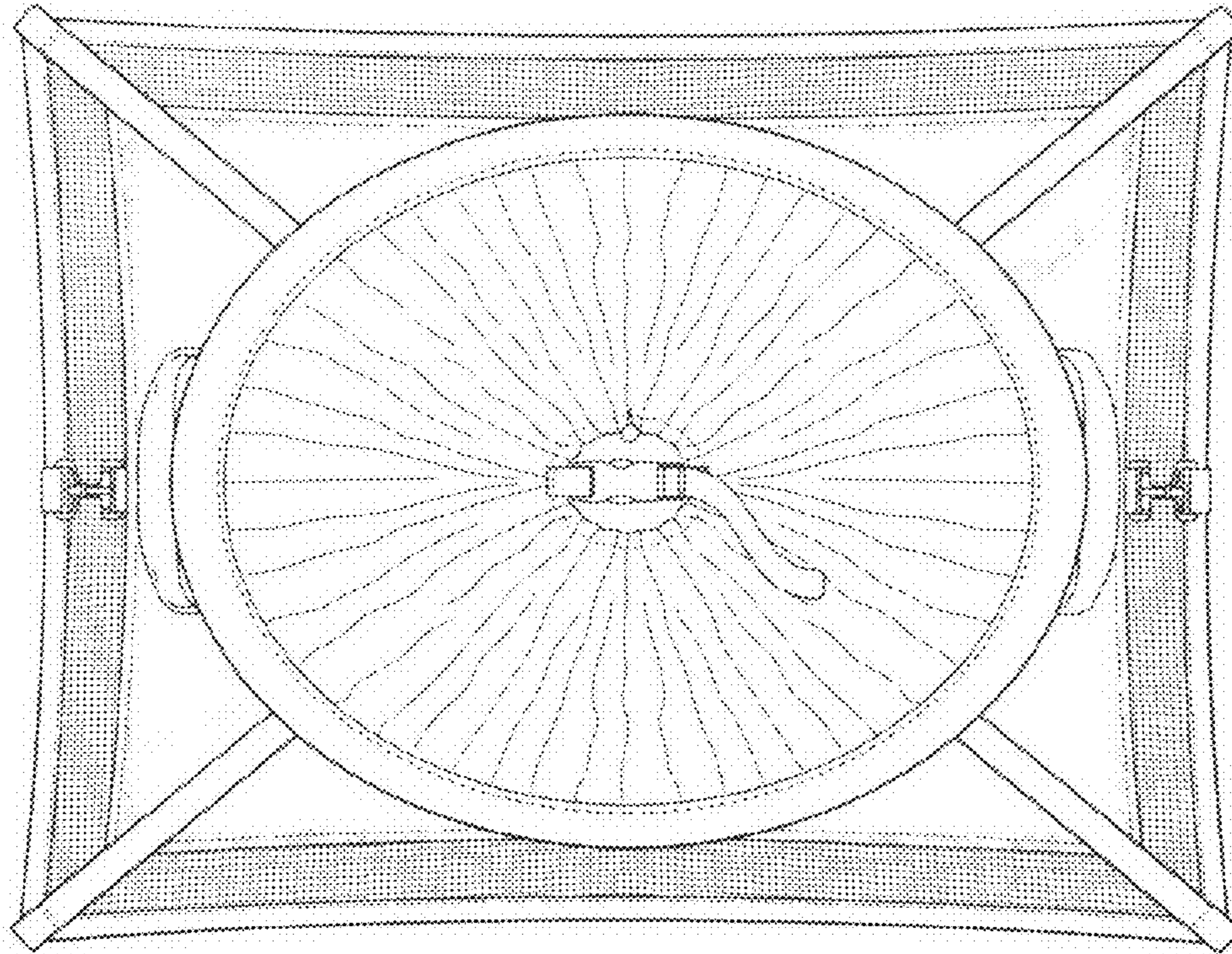


FIG. 3

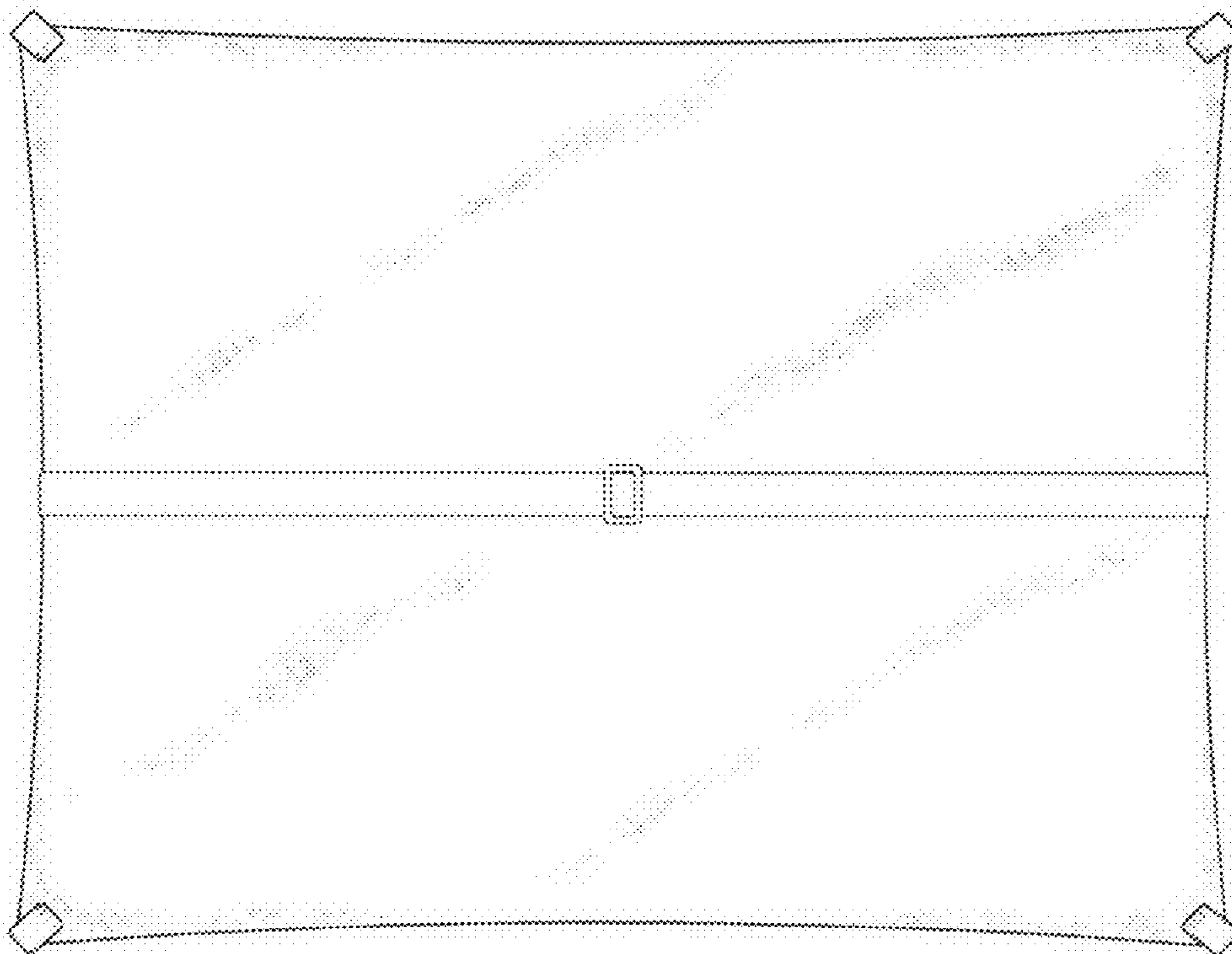


FIG. 4

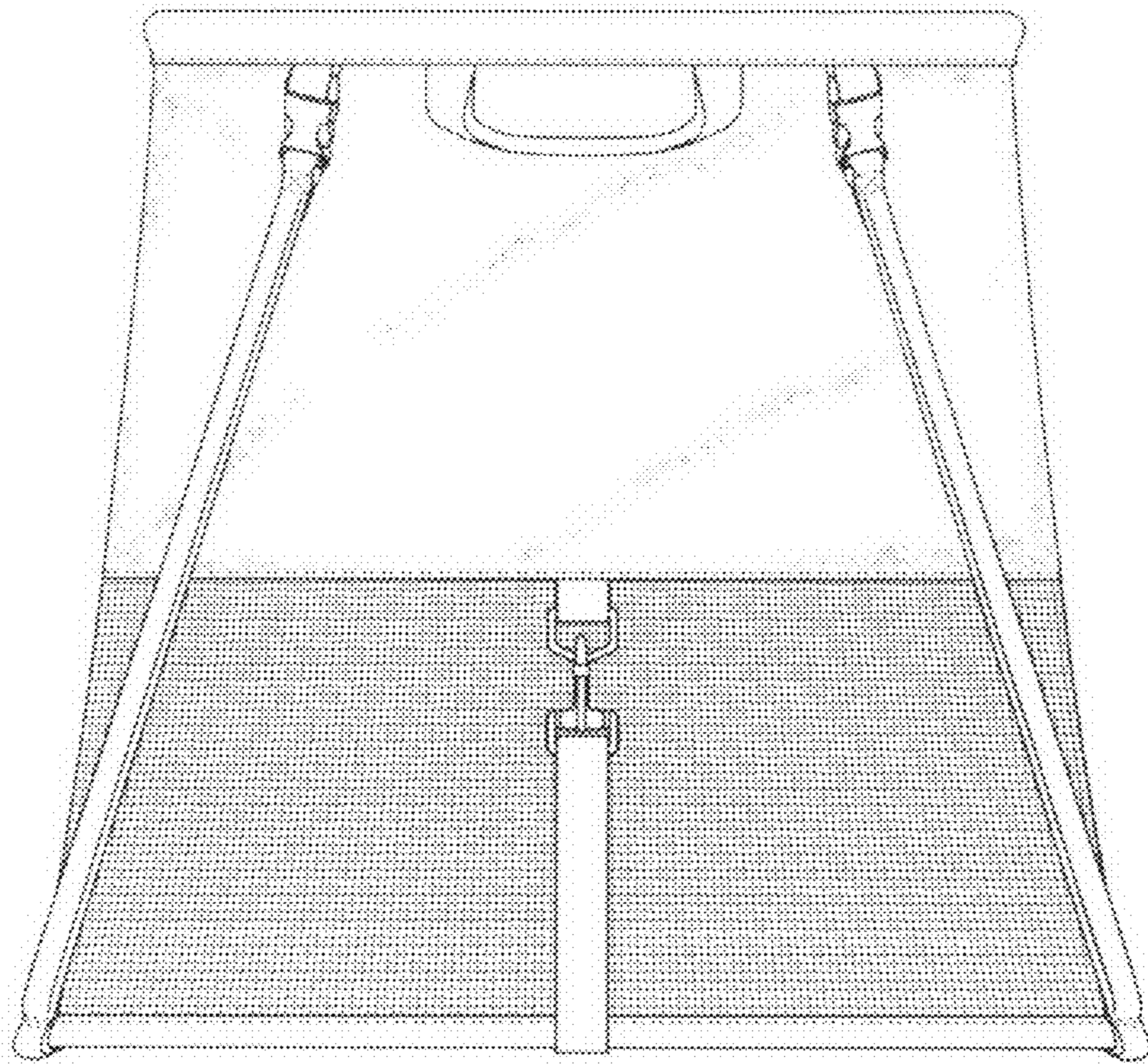


FIG. 5