



US00D627159S

(12) **United States Design Patent**
Gonzalez

(10) **Patent No.:** **US D627,159 S**

(45) **Date of Patent:** **** Nov. 16, 2010**

(54) **HANDBAG**

(75) Inventor: **Alvaro Gonzalez**, Florence (IT)

(73) Assignee: **J. Choo Limited**, London (GB)

(**) Term: **14 Years**

(21) Appl. No.: **29/348,026**

(22) Filed: **Nov. 17, 2009**

(30) **Foreign Application Priority Data**

May 21, 2009 (EM) 001140412-0001

(51) **LOC (9) Cl.** **03-01**

(52) **U.S. Cl.** **D3/245; D3/318**

(58) **Field of Classification Search** D3/232–233,
D3/240–246, 318, 324; 150/100, 103–110,
150/113–114, 118–119

See application file for complete search history.

(56) **References Cited**

U.S. PATENT DOCUMENTS

D487,632 S	3/2004	Galliano	
D543,026 S *	5/2007	Gonzalez	D3/243
D547,944 S *	8/2007	Gonzalez	D3/232
D547,945 S *	8/2007	Gonzalez	D3/243
D563,668 S *	3/2008	Gonzalez	D3/232
D569,621 S	5/2008	Morelli	
D580,166 S *	11/2008	Gonzalez	D3/245
D581,660 S	12/2008	Gonzalez	
D583,559 S *	12/2008	Gonzalez	D3/243
D600,448 S *	9/2009	Gonzalez	D3/318

OTHER PUBLICATIONS

Unknown—Vintage handbag.

* cited by examiner

Primary Examiner—Holly H Baynham

(74) *Attorney, Agent, or Firm*—Fross Zelnick Lehrman & Zissu, P.C.; Lawrence E. Apolzon, Esq.

(57) **CLAIM**

The ornamental design for a handbag, as shown and described.

DESCRIPTION

FIG. 1 is a front perspective view of an alternative embodiment of the handbag;

FIG. 2 is a front view of the alternative embodiment of the handbag in FIG. 1;

FIG. 3 is a rear view of the alternative embodiment of the handbag in FIG. 1;

FIG. 4 is a right side view of the alternative embodiment of the handbag in FIG. 1;

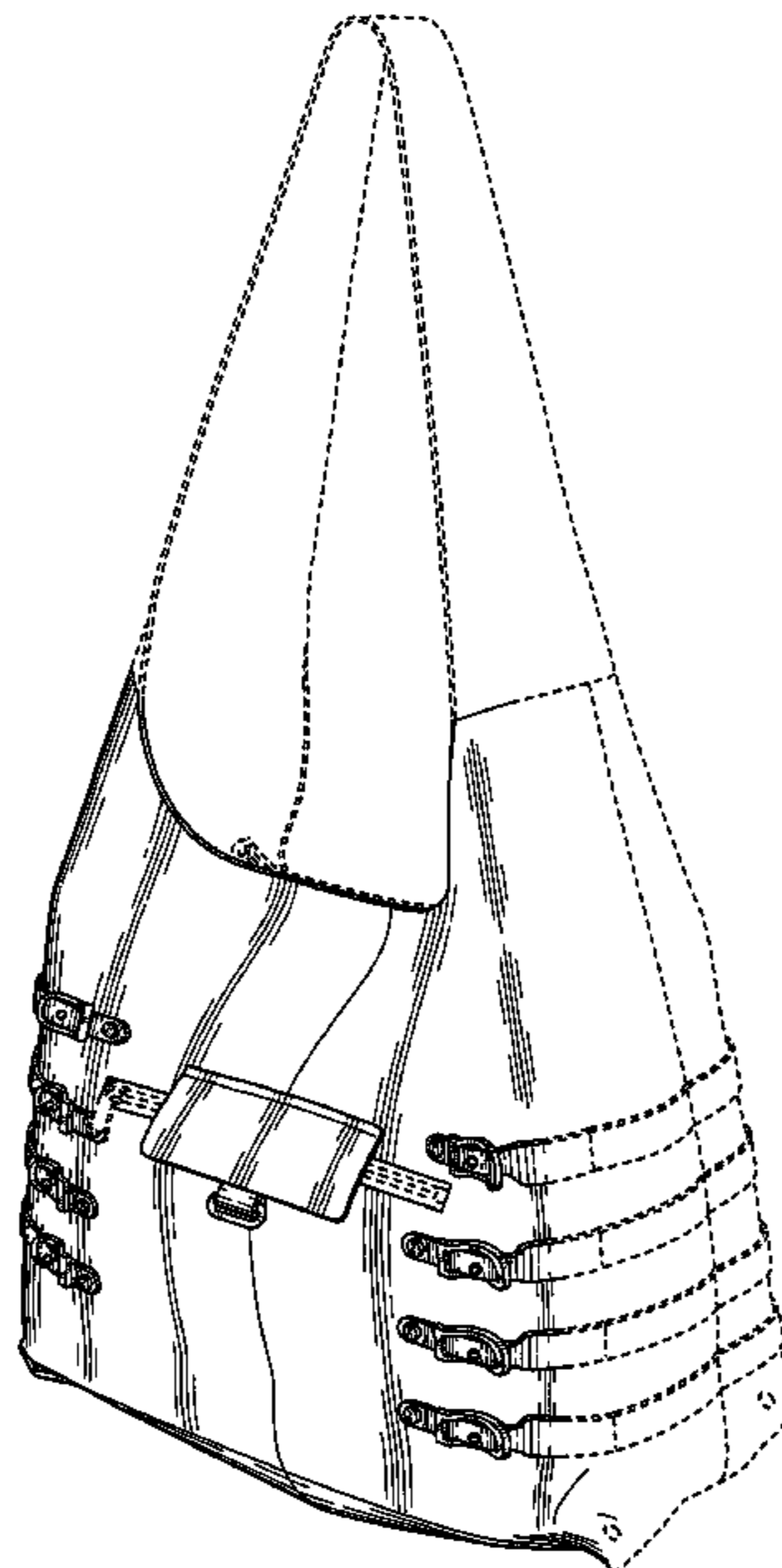
FIG. 5 is a left side view of the alternative embodiment of the handbag in FIG. 1;

FIG. 6 is a top view of the alternative embodiment of the handbag in FIG. 1; and,

FIG. 7 is a bottom view of the alternative embodiment of the handbag in FIG. 1.

The broken line showing of the tassel, closure flap mechanism, rivets, buckles, zippers, zipper pulls, strap assemblies, handles, and body of the bag is for illustrative purposes only and forms no part of the claimed design.

1 Claim, 7 Drawing Sheets



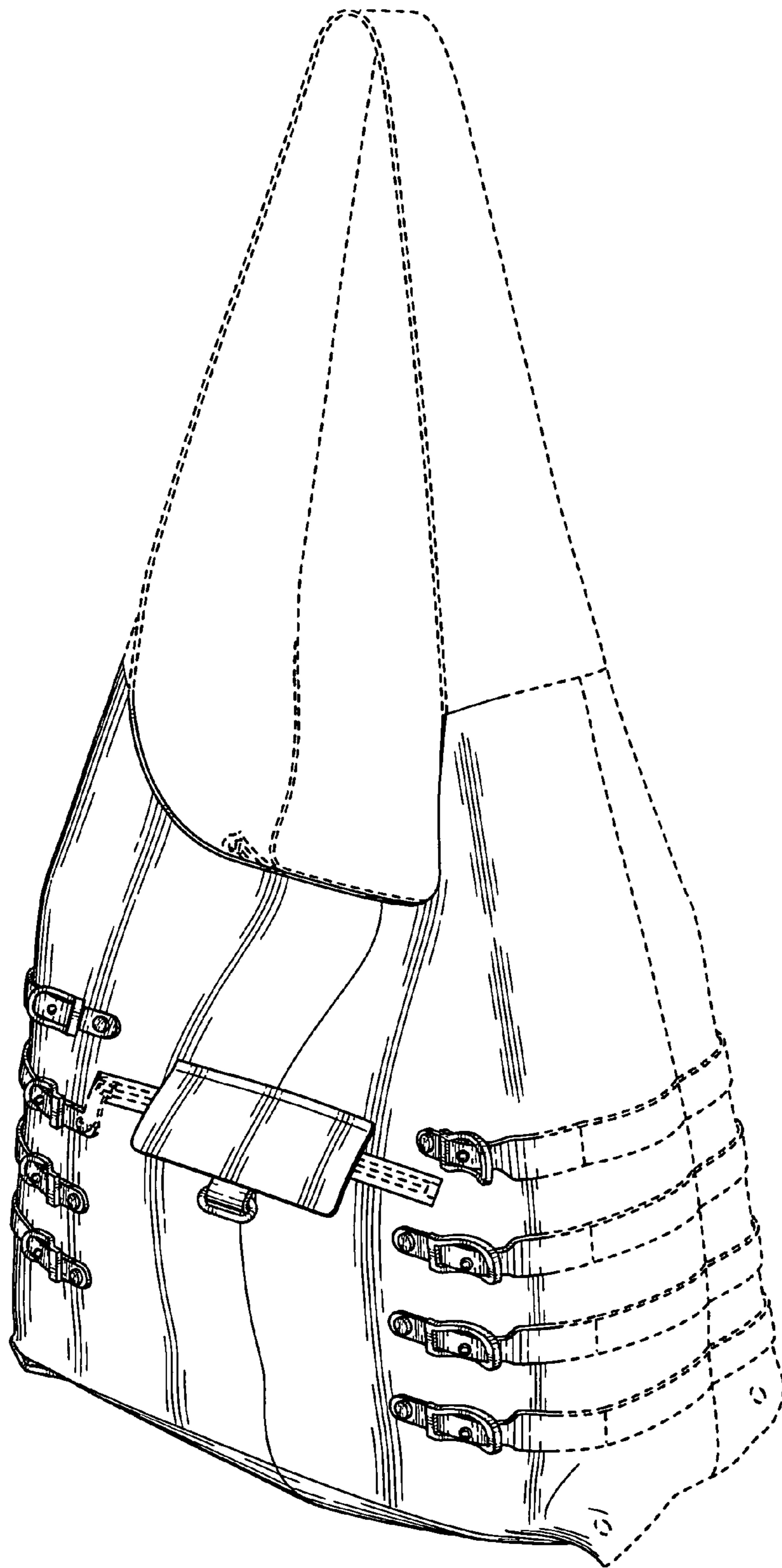


FIG. 1

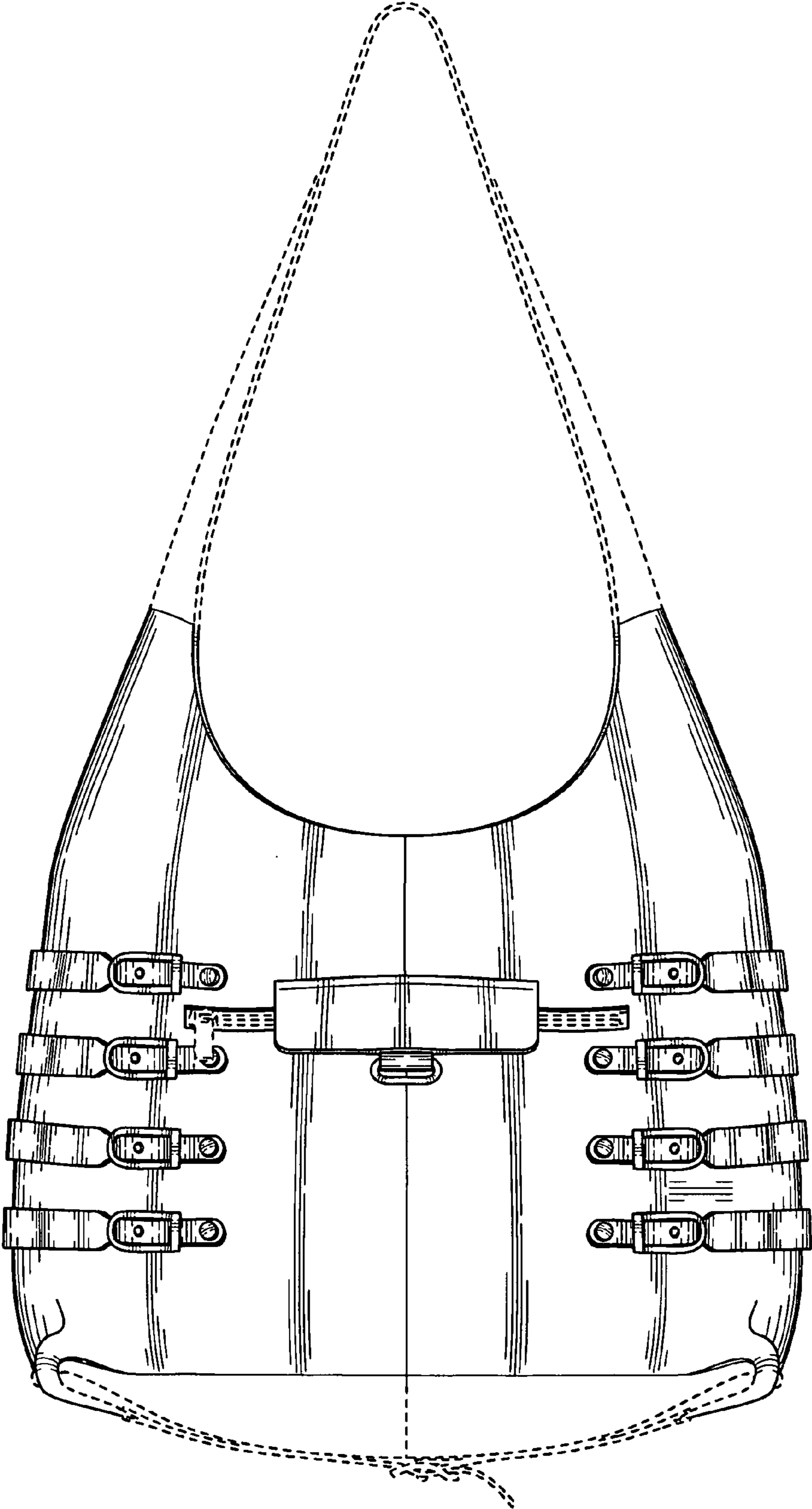


FIG. 2

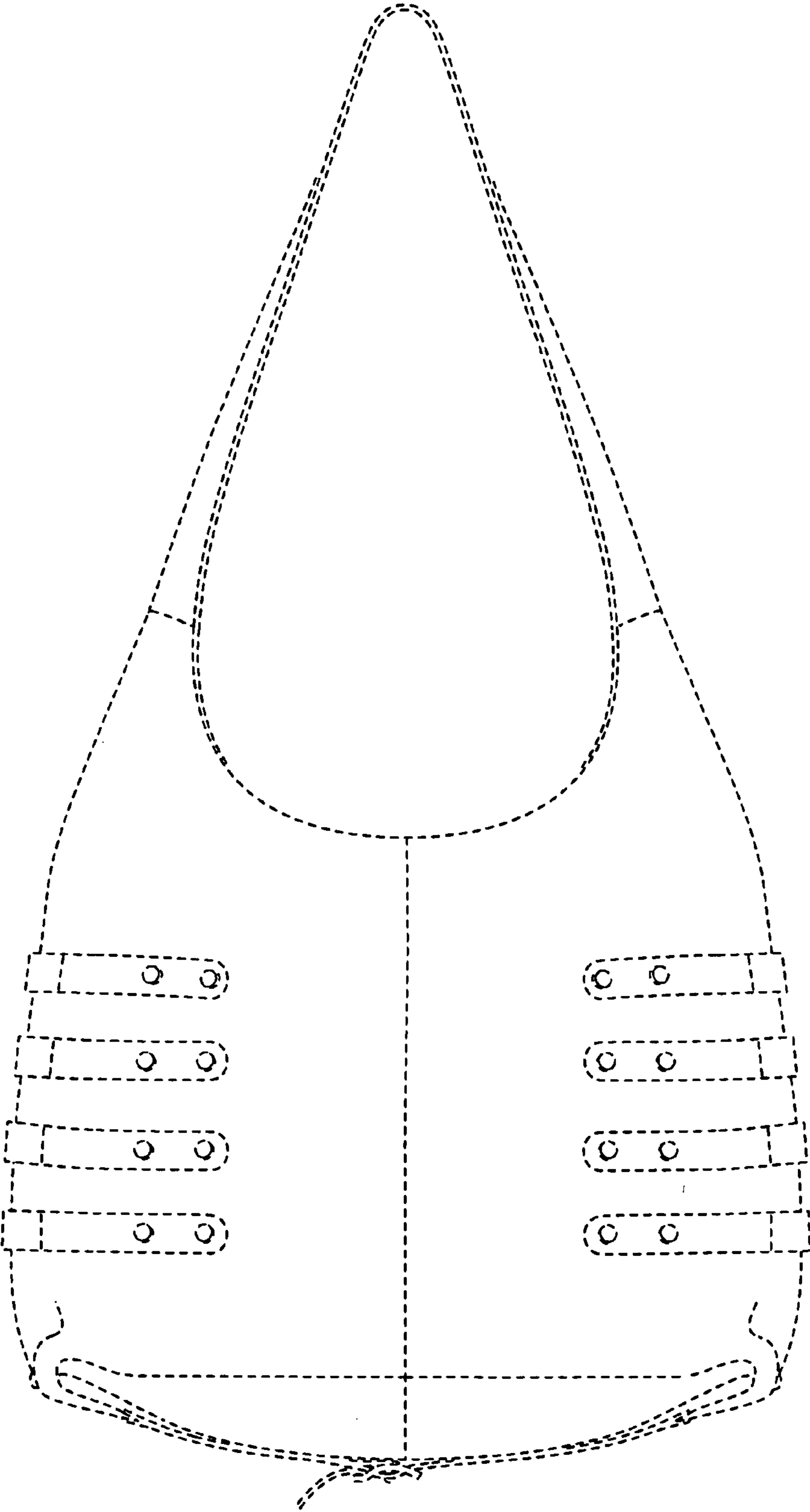


FIG. 3

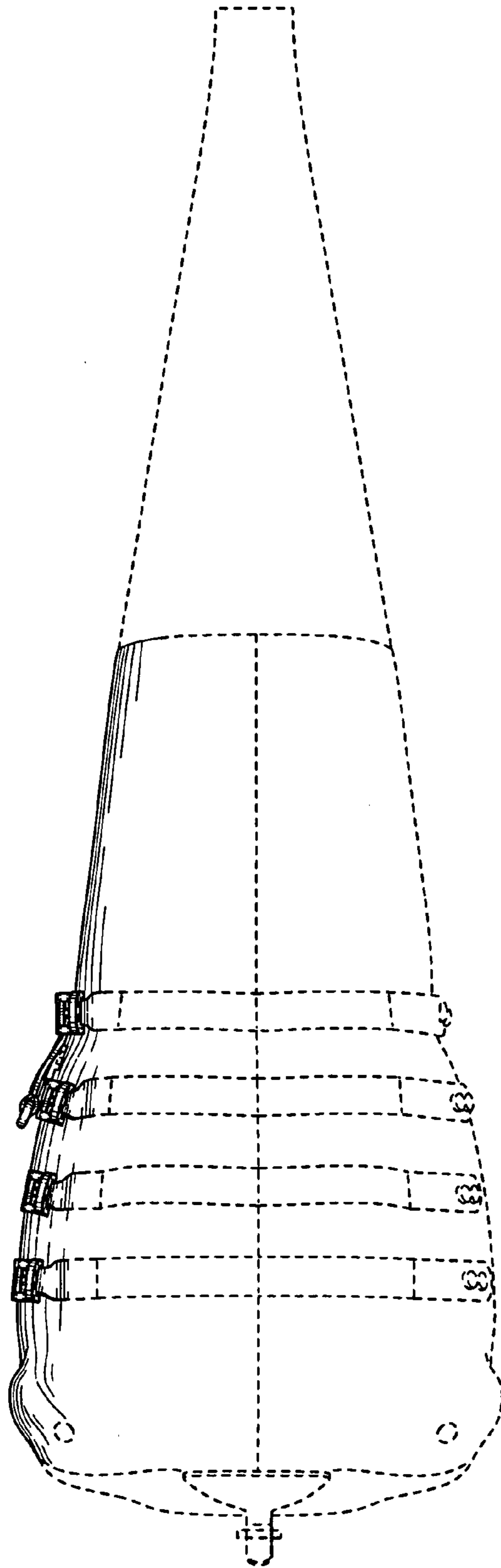


FIG. 4

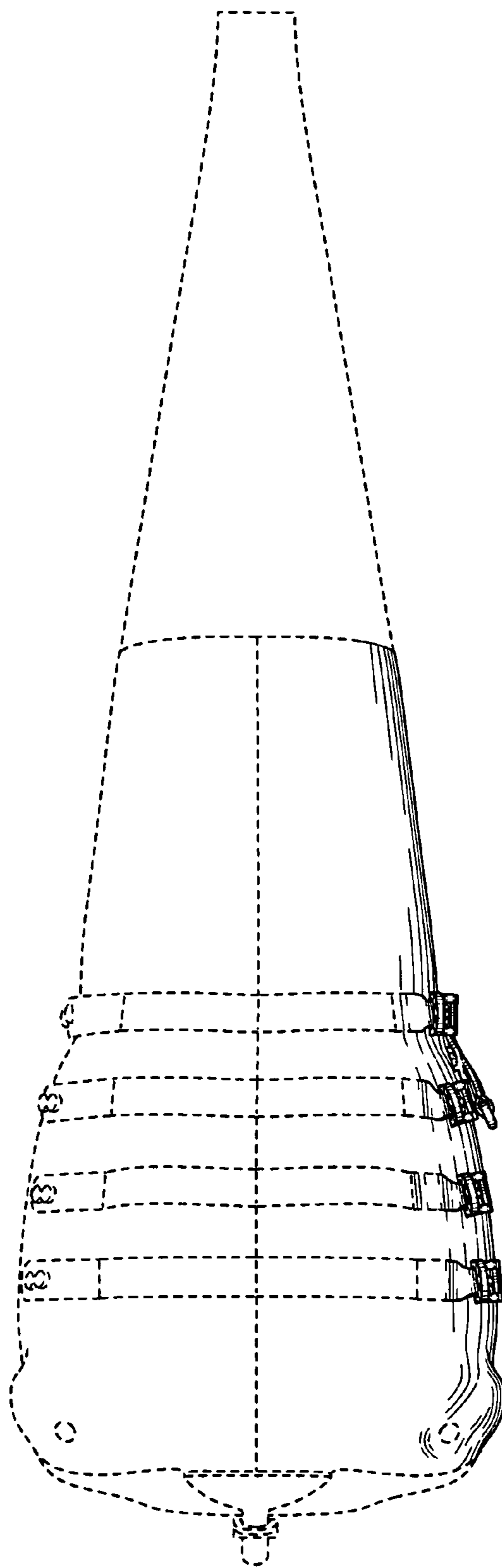


FIG. 5

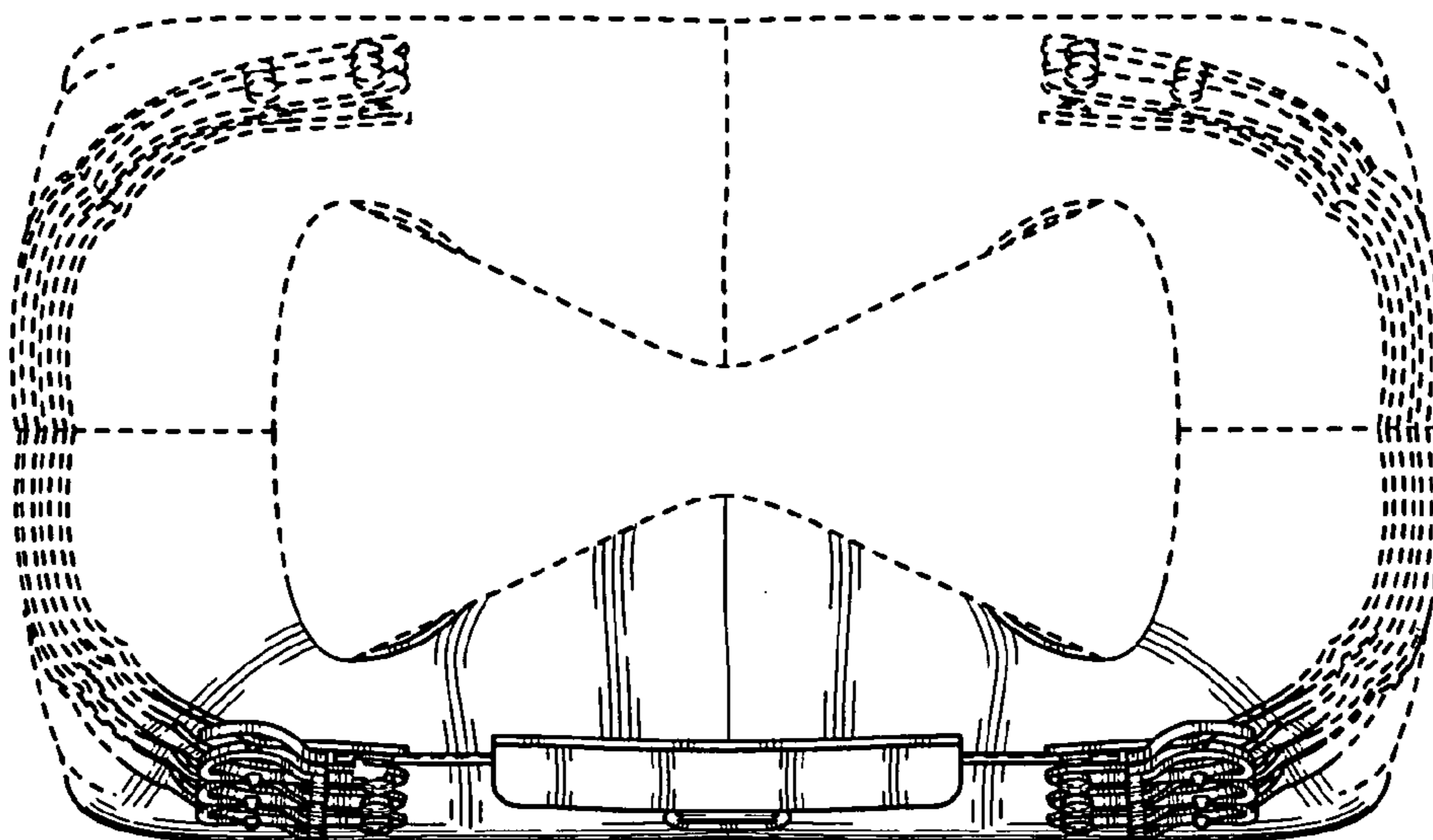


FIG. 6

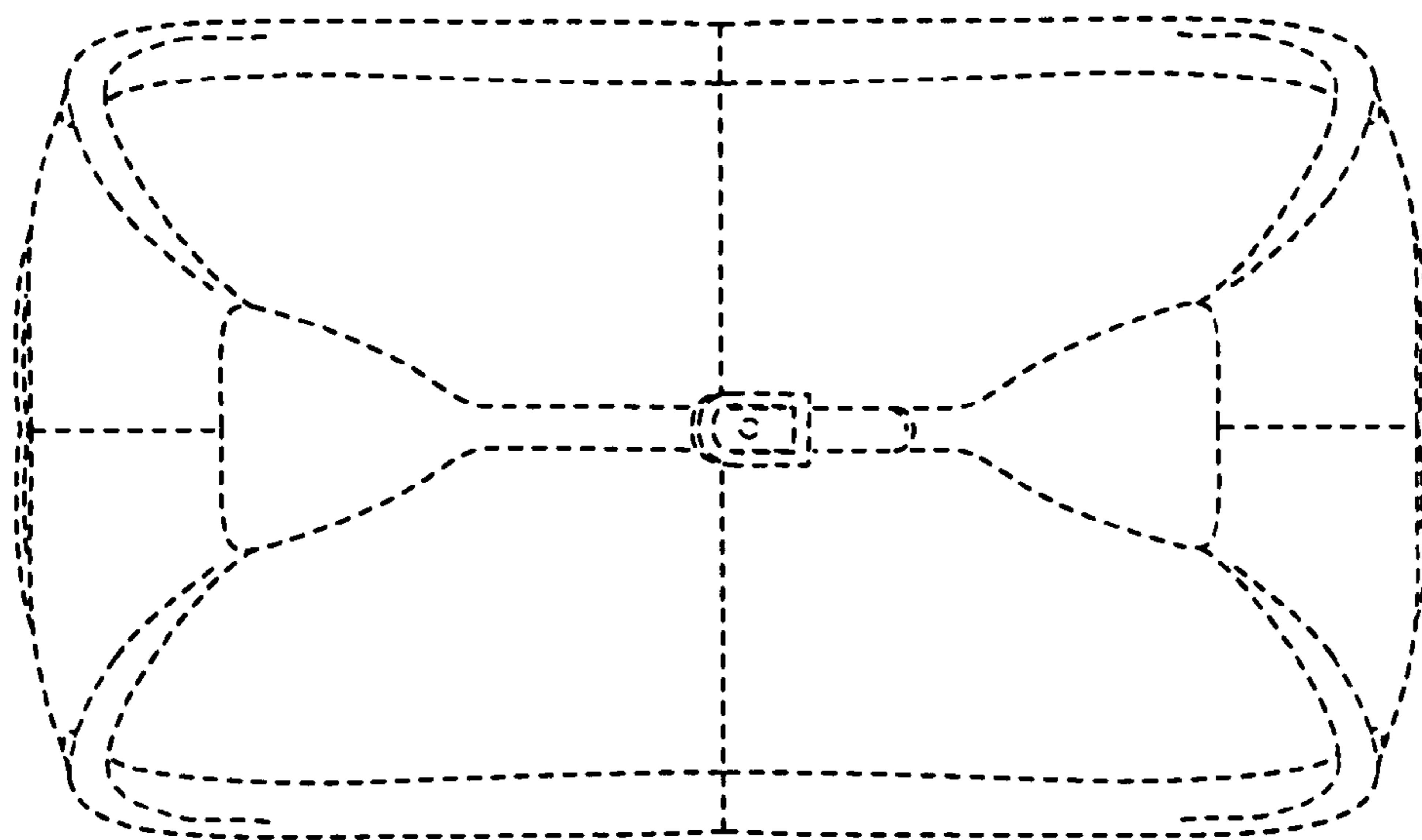


FIG. 7