



US00D627149S

(12) **United States Design Patent**
Wu

(10) **Patent No.:** **US D627,149 S**

(45) **Date of Patent:** **** Nov. 16, 2010**

(54) **HEAD OF A WALKING STICK**

2007/0251559 A1* 11/2007 Yu 135/66

(75) Inventor: **Shih-Piao Wu**, Changhua Hsien (TW)

* cited by examiner

(73) Assignee: **Jiin Haur Industrial Co., Ltd.**,
Changhua Hsien (TW)

Primary Examiner—T. Chase Nelson

Assistant Examiner—Anhdao Doan

(74) *Attorney, Agent, or Firm*—Alan Kamrath; Kamrath &
Associates PA

(**) Term: **14 Years**

(21) Appl. No.: **29/351,990**

(57) **CLAIM**

(22) Filed: **Dec. 15, 2009**

The ornamental design for a head of a walking stick, as shown
and described.

(51) **LOC (9) Cl.** **03-03**

(52) **U.S. Cl.** **D3/12**

(58) **Field of Classification Search** D3/5-17;
D12/130, 133; 135/65-73, 76-85

See application file for complete search history.

DESCRIPTION

(56) **References Cited**

U.S. PATENT DOCUMENTS

D283,370	S	*	4/1986	Hill	D3/7
5,722,445	A	*	3/1998	Hae et al.	135/65
D427,763	S	*	7/2000	Kikuchi et al.	D3/7
D441,950	S	*	5/2001	Suen	D3/7
D450,440	S	*	11/2001	Clarke et al.	D3/6
D544,201	S	*	6/2007	Berl	D3/12
D555,892	S	*	11/2007	Carroll	D3/7
2007/0151587	A1	*	7/2007	Yu	135/66

FIG. 1 is a perspective view of a head of a walking stick
showing my design;

FIG. 2 is a front elevational view thereof;

FIG. 3 is a rear elevational view thereof;

FIG. 4 is a left side elevational view thereof;

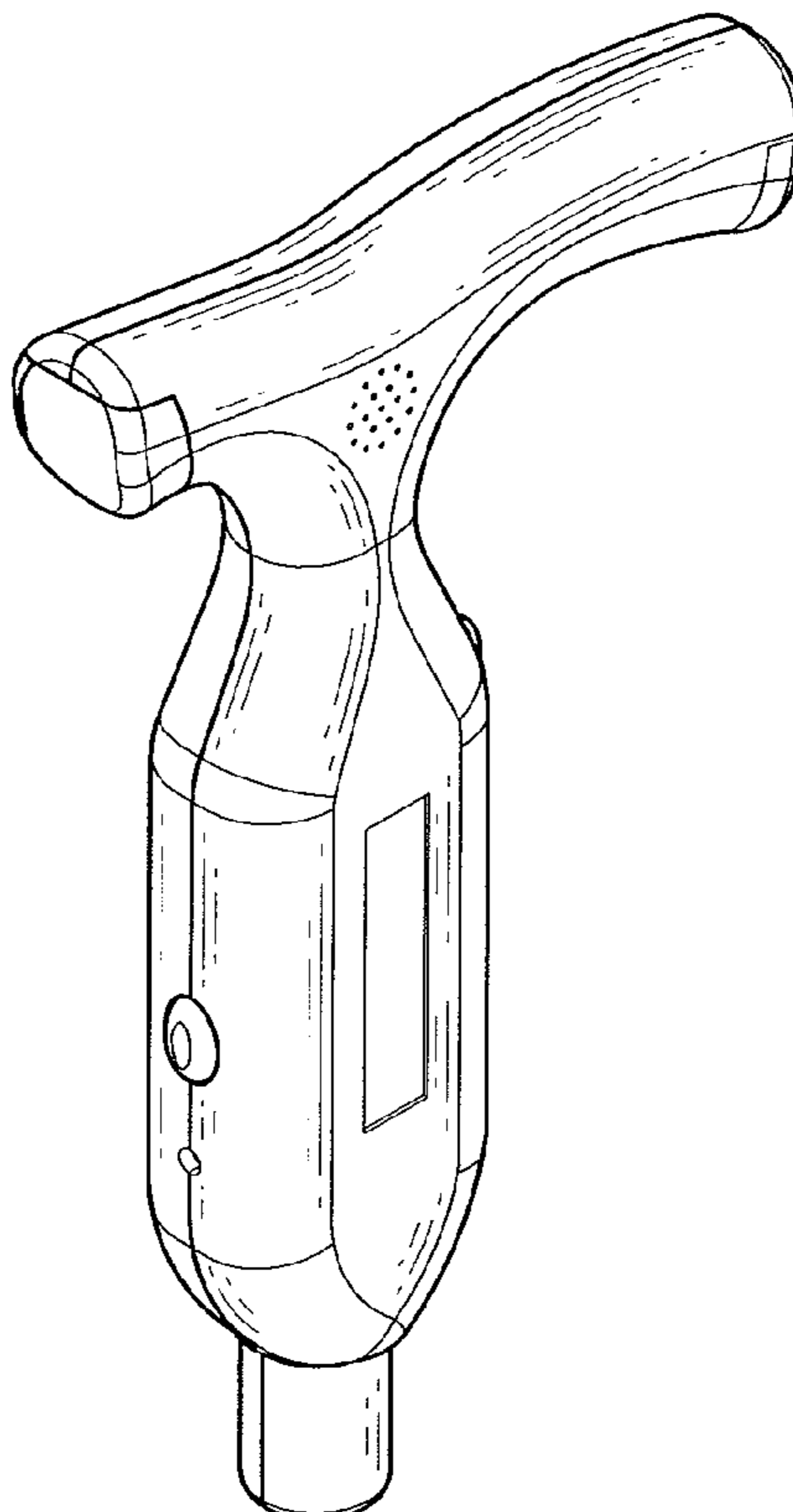
FIG. 5 is a right side elevational view thereof;

FIG. 6 is a top plan view thereof; and,

FIG. 7 is a bottom plan view thereof.

The broken lines are included for the purpose of illustrating
portions of the head of a walking stick that form no part of the
claimed design.

1 Claim, 5 Drawing Sheets



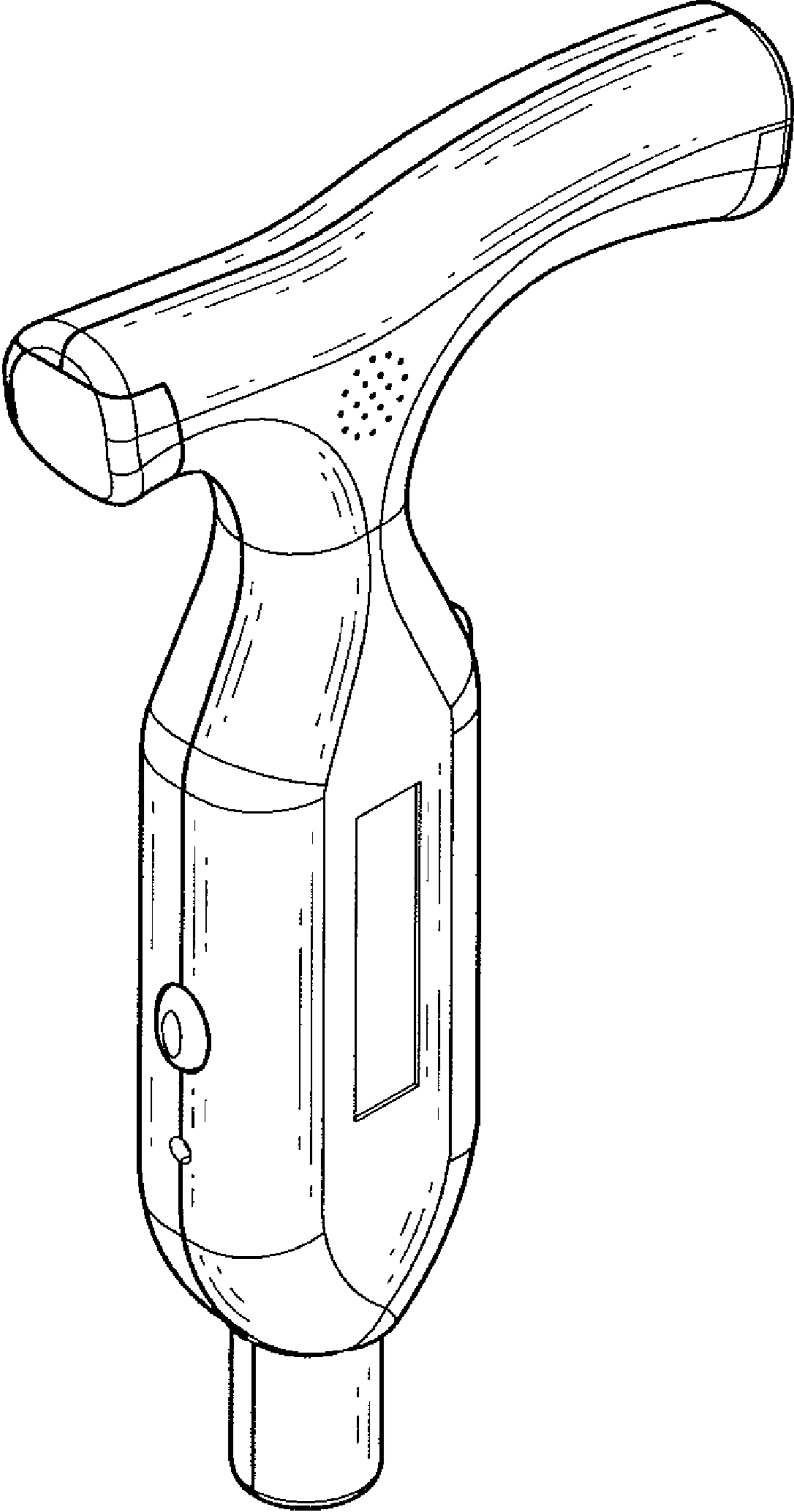


FIG. 1

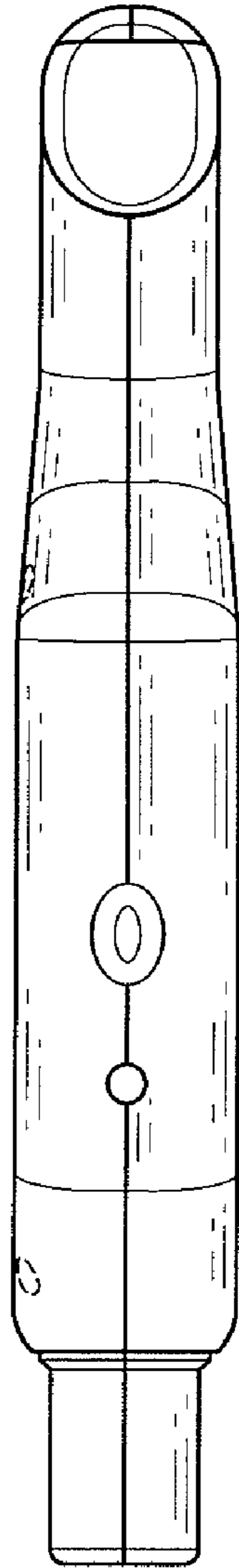


FIG. 2

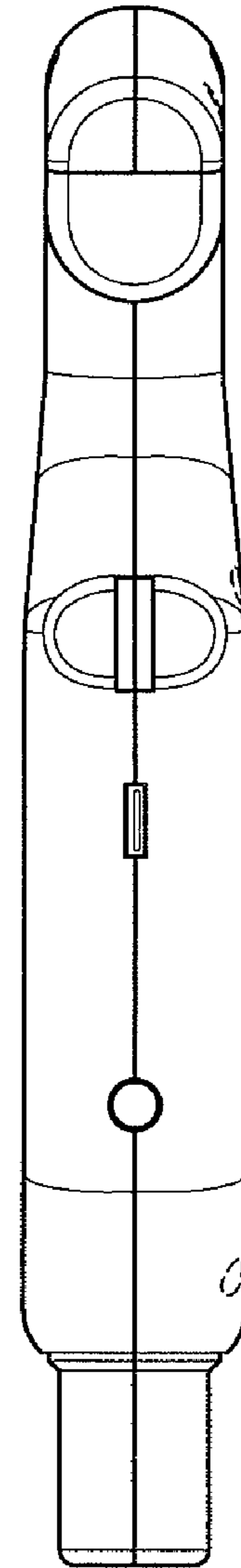


FIG. 3

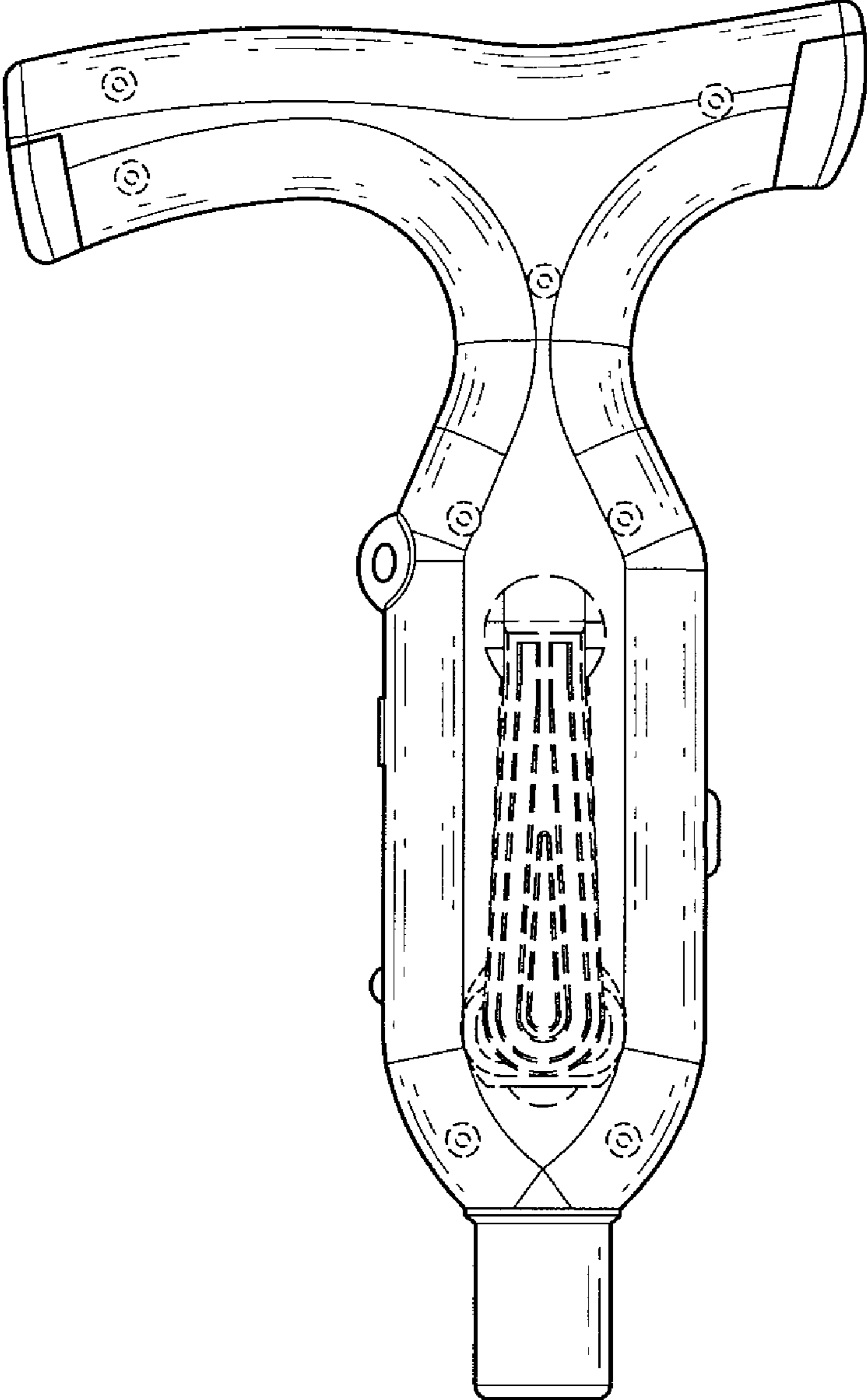


FIG. 4

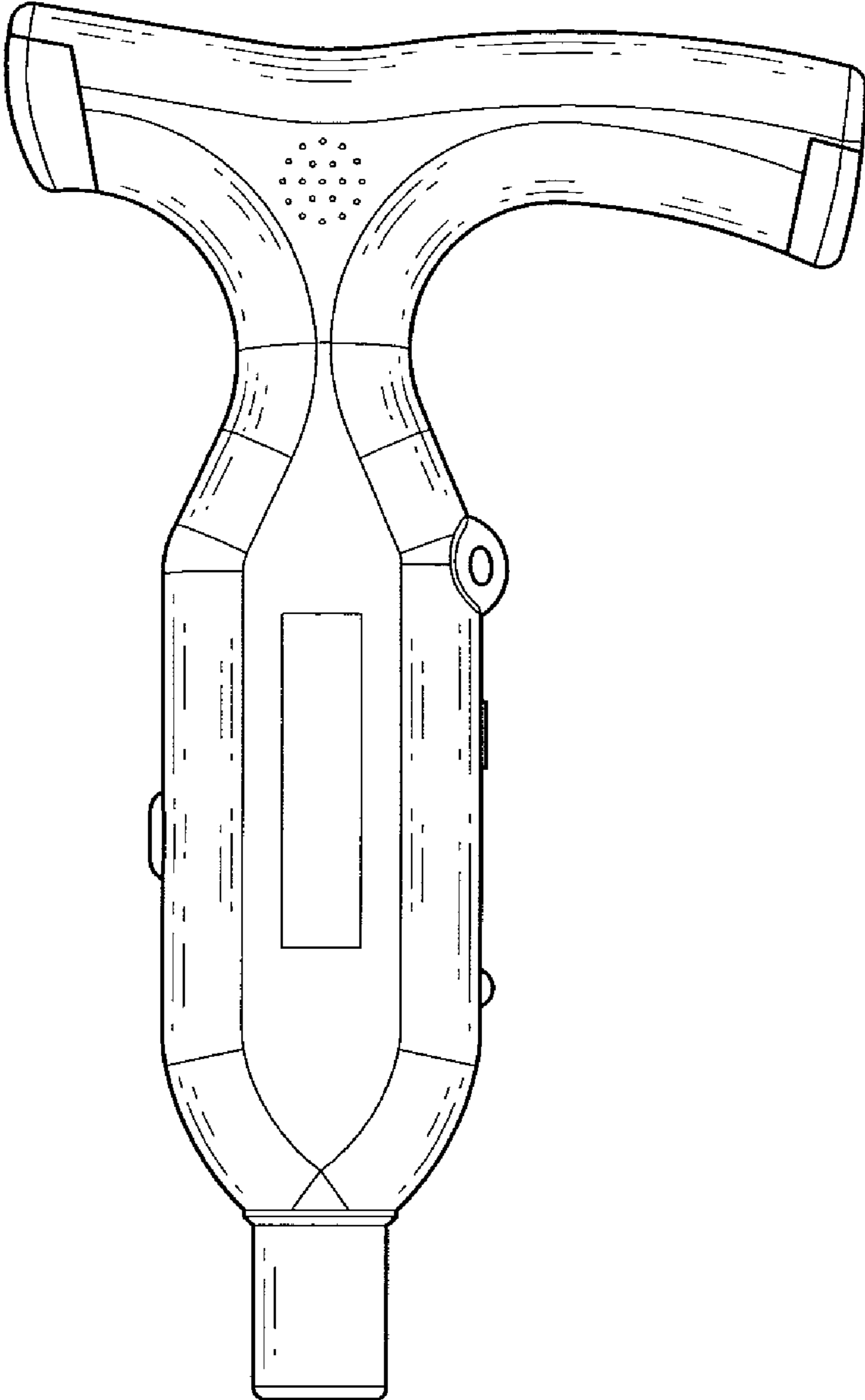


FIG. 5

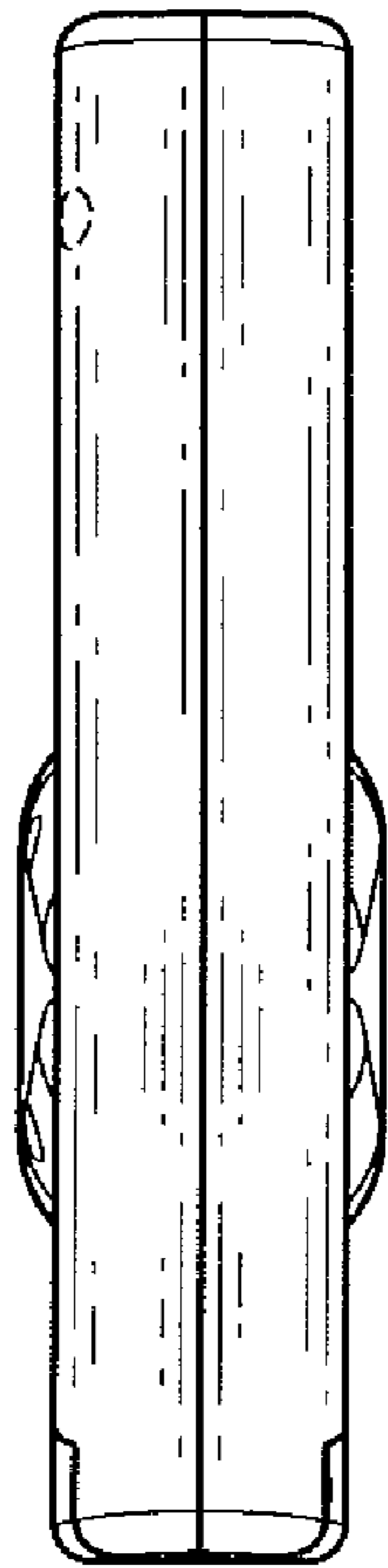


FIG. 6

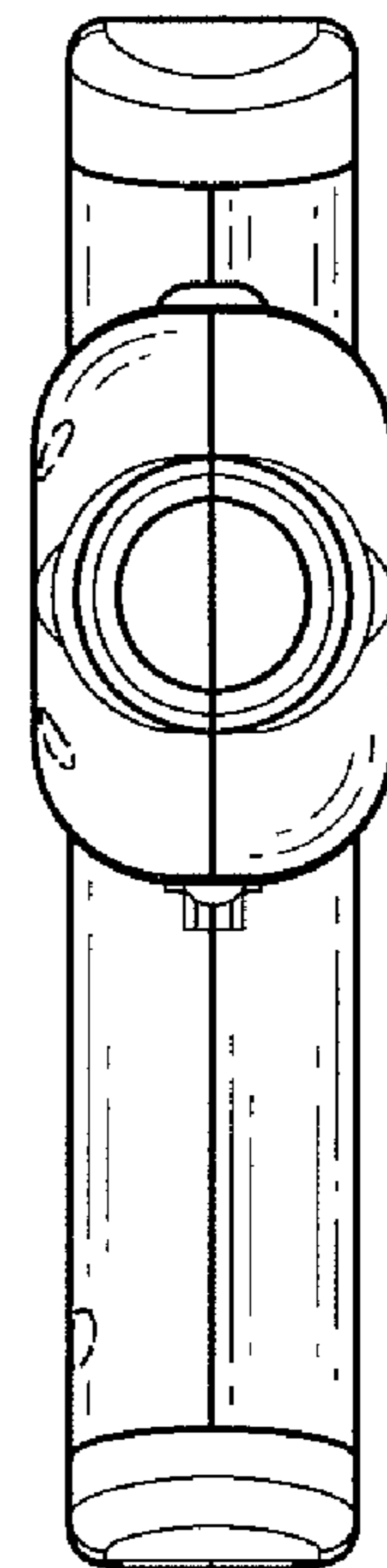


FIG. 7