



US00D627148S

(12) **United States Design Patent**
Quinn

(10) **Patent No.:** **US D627,148 S**
(45) **Date of Patent:** **** Nov. 16, 2010**

(54) **UMBRELLA**

(75) Inventor: **Thomas A. Quinn**, Carlsbad, CA (US)

(73) Assignee: **Pro Performance Sports, L.L.C.**,
Carlsbad, CA (US)

(**) Term: **14 Years**

(21) Appl. No.: **29/359,561**

(22) Filed: **Apr. 13, 2010**

Related U.S. Application Data

(63) Continuation of application No. 29/355,727, filed on Feb. 12, 2010, and a continuation of application No. 12/704,696, filed on Feb. 12, 2010.

(51) **LOC (9) Cl.** **03-03**

(52) **U.S. Cl.** **D3/5**

(58) **Field of Classification Search** D3/5,
D3/6, 10, 16; 135/15.1, 16, 98-99, 19.5,
135/33.5, 25.1, 115, 128; D6/416; 362/102
See application file for complete search history.

(56) **References Cited**

U.S. PATENT DOCUMENTS

229,685	A *	7/1880	Ege	135/28
2,111,578	A *	3/1938	Weaver	135/33.2
D273,346	S *	4/1984	Secon	D3/5
D307,818	S *	5/1990	Baldwin et al.	D3/5
D321,979	S *	12/1991	DeSantis et al.	D3/5
D341,831	S *	11/1993	Mozdzanowski	D14/168
D353,041	S *	12/1994	Stenberg	D3/5
D361,198	S *	8/1995	Vang	D3/5
5,505,221	A *	4/1996	Gao	135/20.1
D371,901	S *	7/1996	Perls	D3/5
D373,466	S *	9/1996	Chipman	D3/5
D373,467	S *	9/1996	Chipman	D3/5
D376,903	S *	12/1996	Harris	D3/5
D379,116	S *	5/1997	Selberg	D3/6
5,690,131	A *	11/1997	Voigt	135/19.5
D393,539	S *	4/1998	Bridgen	D3/5
D398,443	S *	9/1998	Bolle	D3/5
D408,125	S *	4/1999	Kupferman	D3/5

D410,142	S *	5/1999	Chipman	D3/5
D411,341	S *	6/1999	Lee	D3/6
D411,762	S *	7/1999	You	D3/6
D413,198	S *	8/1999	You	D3/5
D419,287	S *	1/2000	Wallace	D3/5
D419,759	S *	2/2000	Goudarzi	D3/5
D422,784	S *	4/2000	Au	D3/5
D423,731	S *	4/2000	Heitz	D30/125
D434,556	S *	12/2000	Lin	D3/6
D437,109	S *	2/2001	Muscella	D3/5
D443,409	S *	6/2001	Pilz et al.	D3/5
D461,305	S *	8/2002	Clarke et al.	D3/5
D464,481	S *	10/2002	Webster	D3/5
D467,066	S *	12/2002	You	D3/5
D475,525	S *	6/2003	You	D3/5
D476,475	S *	7/2003	You	D3/5
D477,906	S *	8/2003	Martin	D3/5
D483,558	S *	12/2003	Tran	D3/5

(Continued)

Primary Examiner—Elizabeth A Albert

Assistant Examiner—Kelley A Donnelly

(74) *Attorney, Agent, or Firm*—Kenneth H. Ohriner; Perkins Coie LLP

(57) **CLAIM**

The ornamental design for an umbrella, as shown and described.

DESCRIPTION

FIG. 1 is a perspective view showing my new design.

FIG. 2 is a front view.

FIG. 3 is a back view.

FIG. 4 is a right side view.

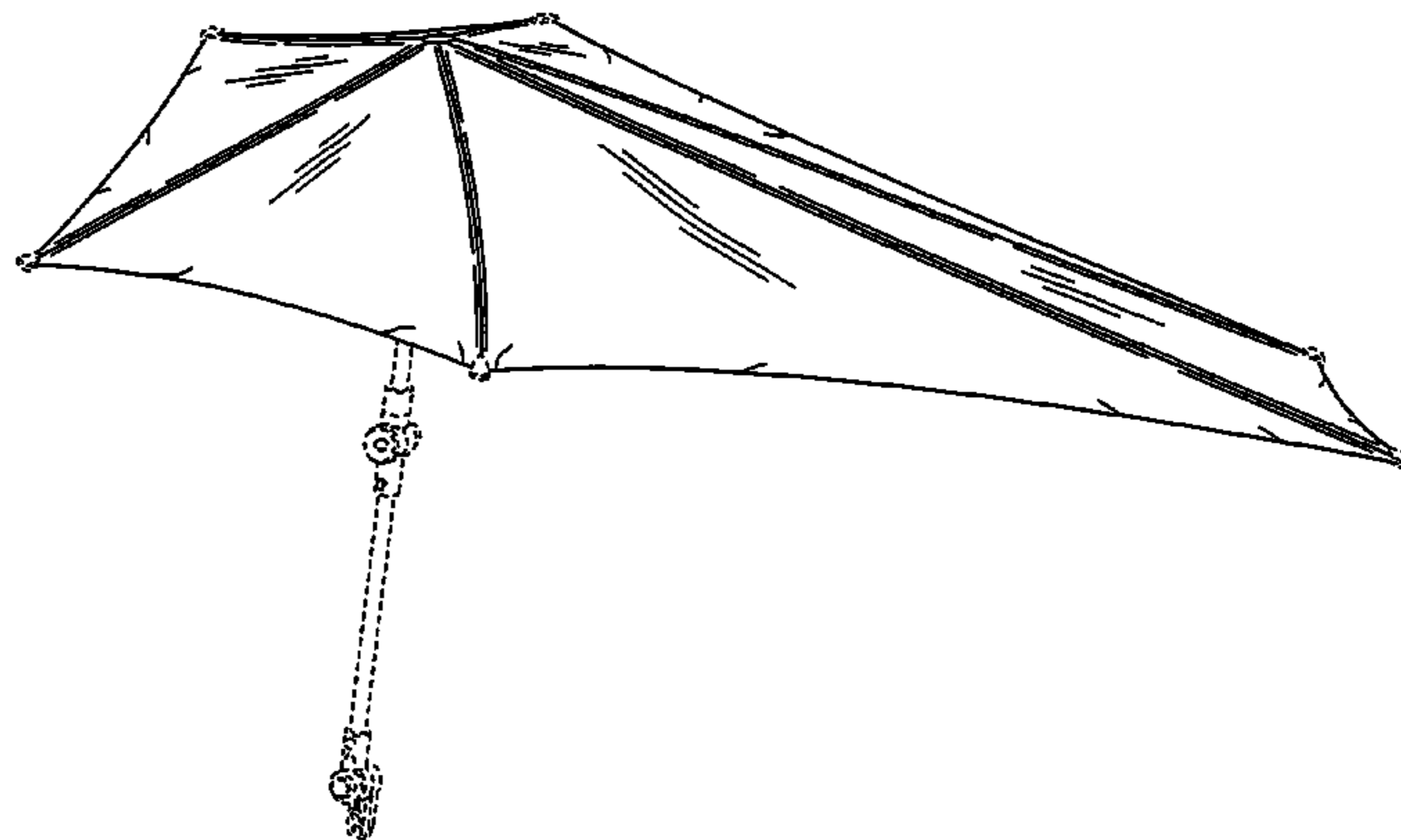
FIG. 5 is a left side view.

FIG. 6 is a top view; and,

FIG. 7 is a bottom view.

The broken lines are for the purpose of illustrating the environment of the design only and form no part of the claimed design.

1 Claim, 7 Drawing Sheets



US D627,148 S

Page 2

U.S. PATENT DOCUMENTS

D485,674 S *	1/2004	Liu	D3/5	D587,447 S *	3/2009	You	D3/5
D491,720 S *	6/2004	Clarke	D3/5	D588,796 S *	3/2009	Kupferman	D3/10
D496,782 S *	10/2004	Miles	D3/5	D589,697 S *	4/2009	Green	D3/5
D497,478 S *	10/2004	Clarke	D3/5	D592,393 S *	5/2009	Clarke	D3/5
D503,036 S *	3/2005	Di Cesare	D3/5	D599,103 S *	9/2009	Hoogendoorn et al.	D3/5
D504,221 S *	4/2005	Protano	D3/5	D602,686 S *	10/2009	Patzak	D3/10
D509,954 S *	9/2005	Waltz	D3/5	D609,453 S *	2/2010	Liu	D3/5
D510,656 S *	10/2005	Brewer	D3/5	D618,898 S *	7/2010	Hammond	D3/5
D513,117 S *	12/2005	Raede	D3/5	D618,899 S *	7/2010	Hoogendoorn et al.	D3/5
D516,294 S *	3/2006	Olson et al.	D3/5	D621,600 S *	8/2010	He	D3/5
D533,992 S *	12/2006	You	D3/5	D622,498 S *	8/2010	Perez	D3/11
D546,551 S *	7/2007	de Oliveira Santos	D3/5	D622,951 S *	9/2010	You	D3/5
D548,452 S *	8/2007	Oelzant et al.	D3/10	D623,393 S *	9/2010	You	D3/5
D574,142 S *	8/2008	Kupferman	D3/10	7,793,674 B2 *	9/2010	Elder	135/33.2

* cited by examiner

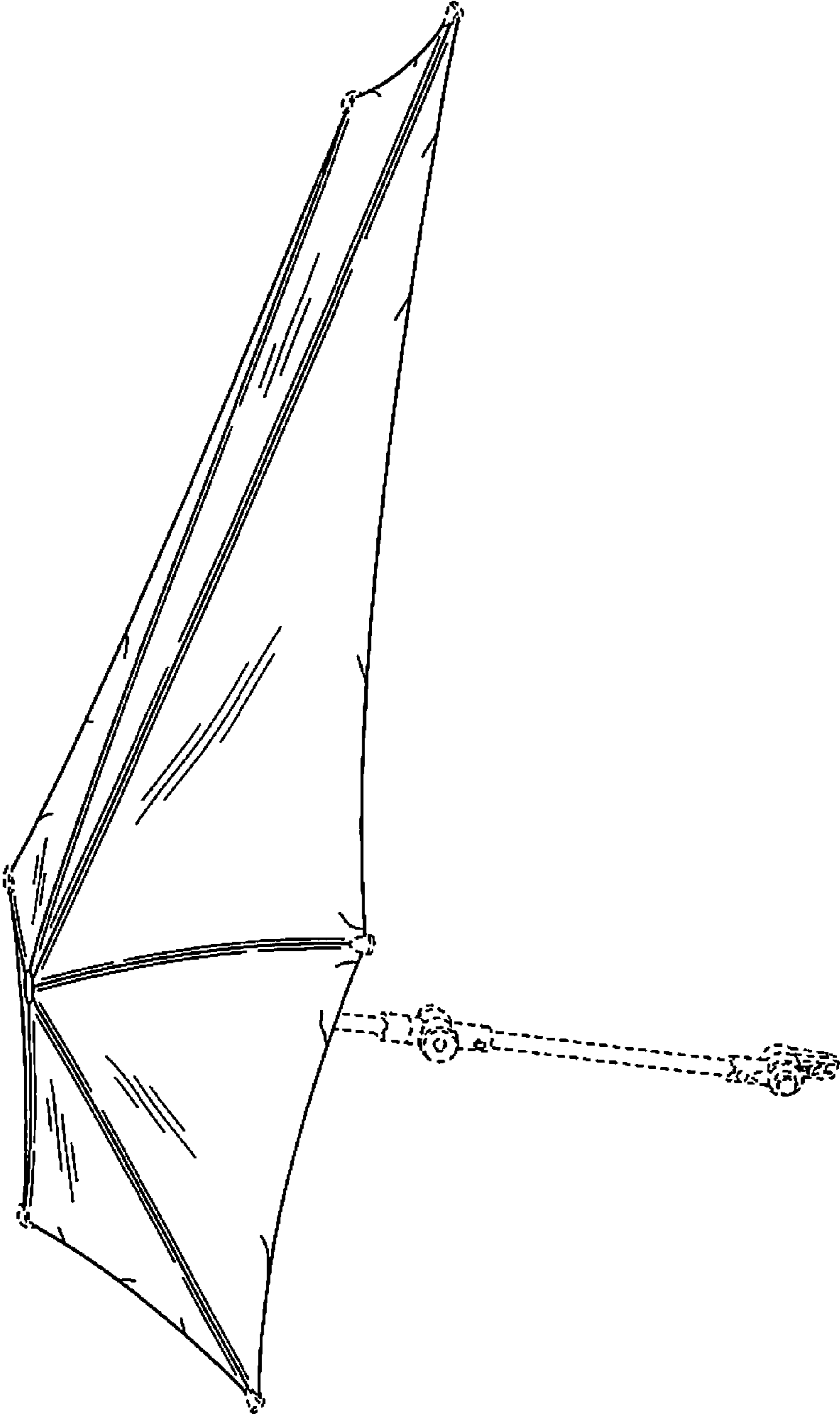


FIG. 1

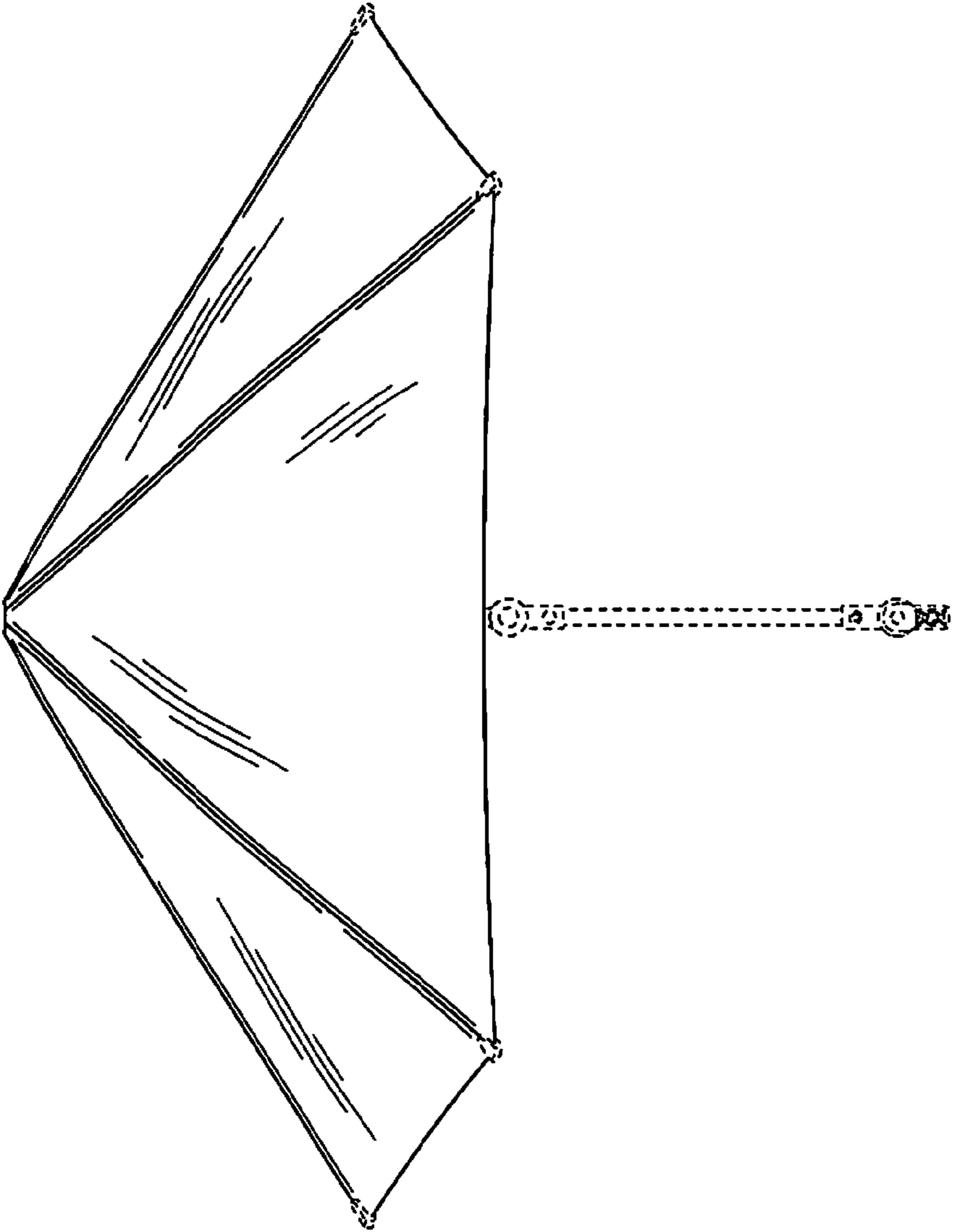


FIG. 2

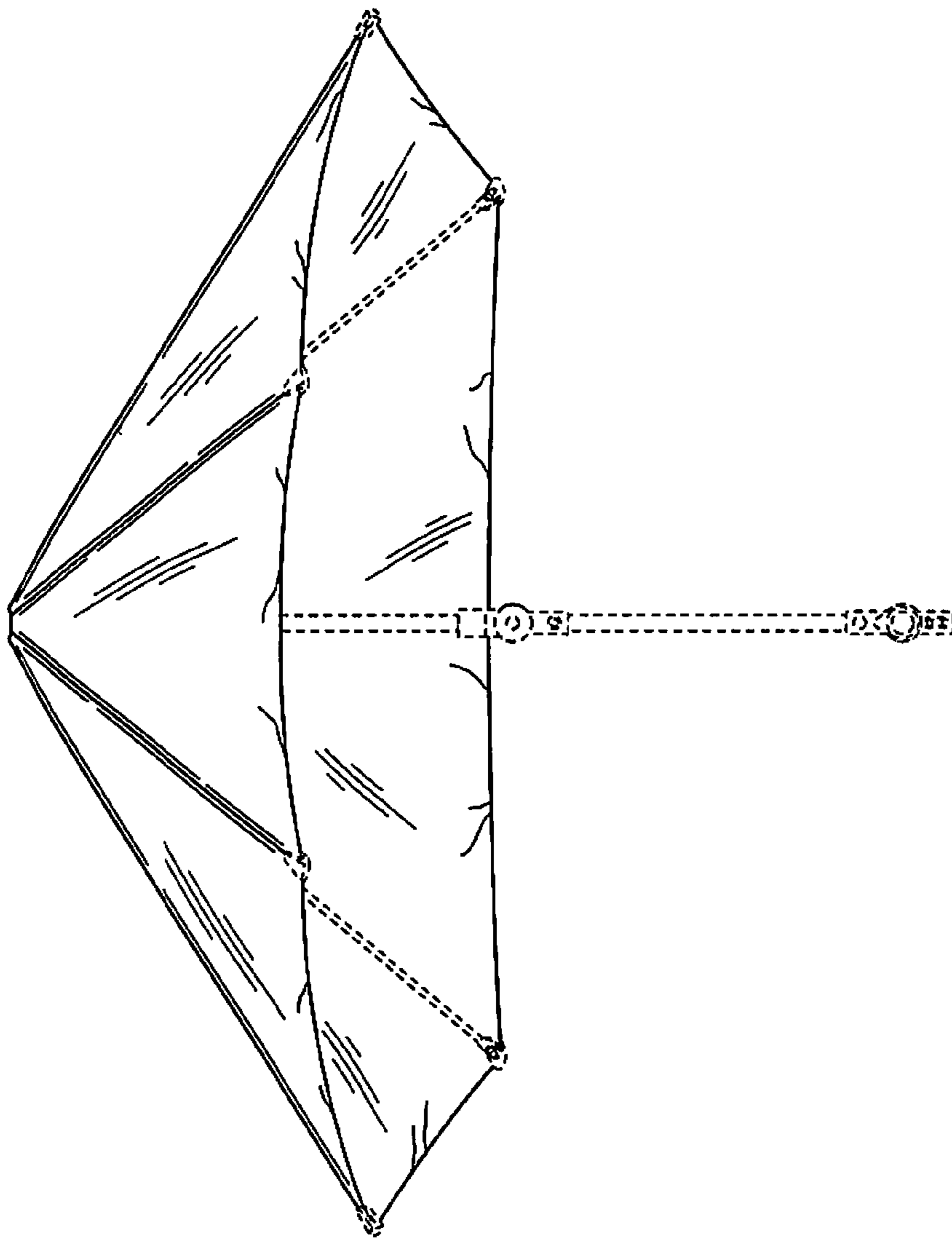


FIG. 3

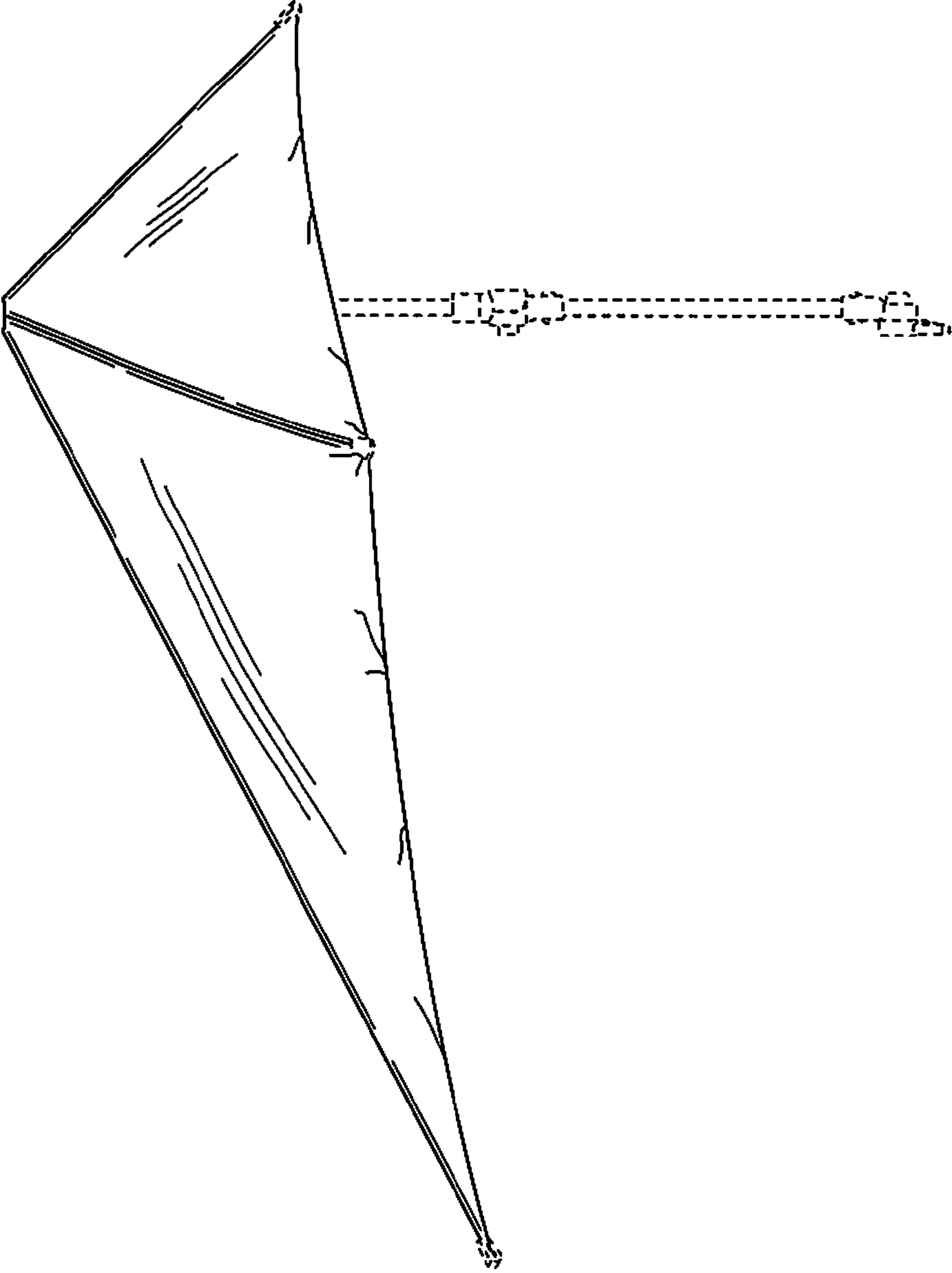


FIG. 4

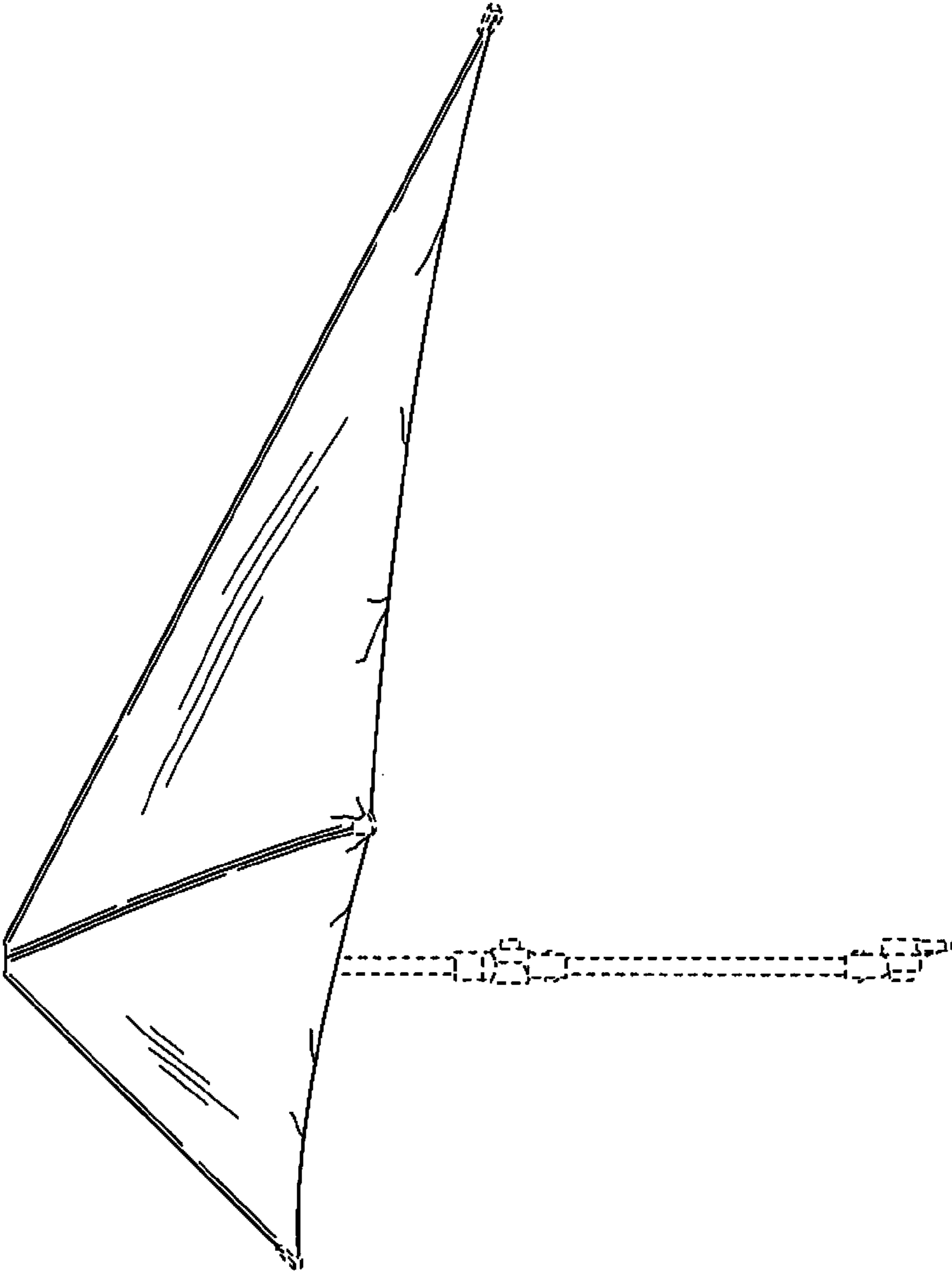


FIG. 5

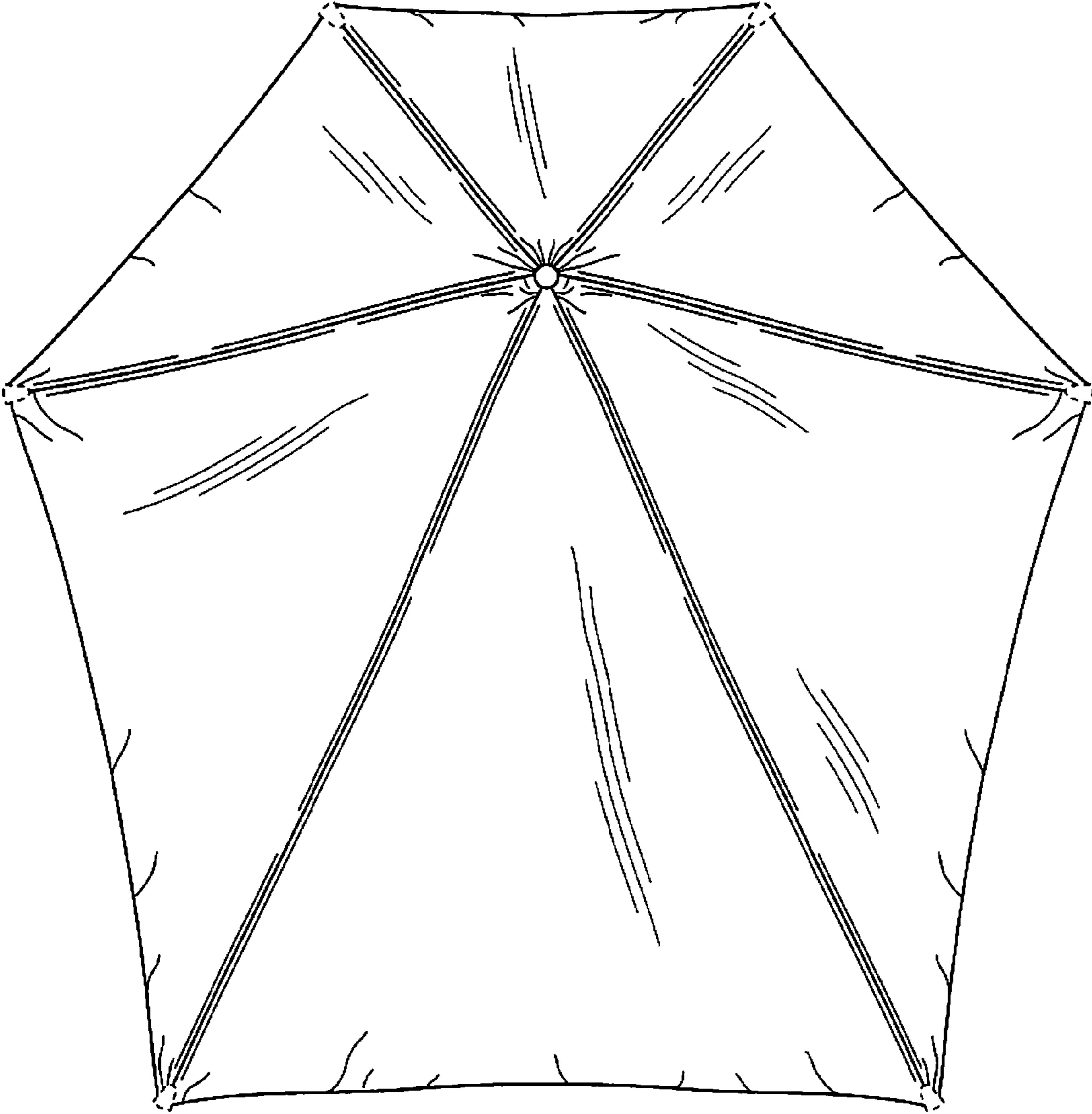


FIG. 6

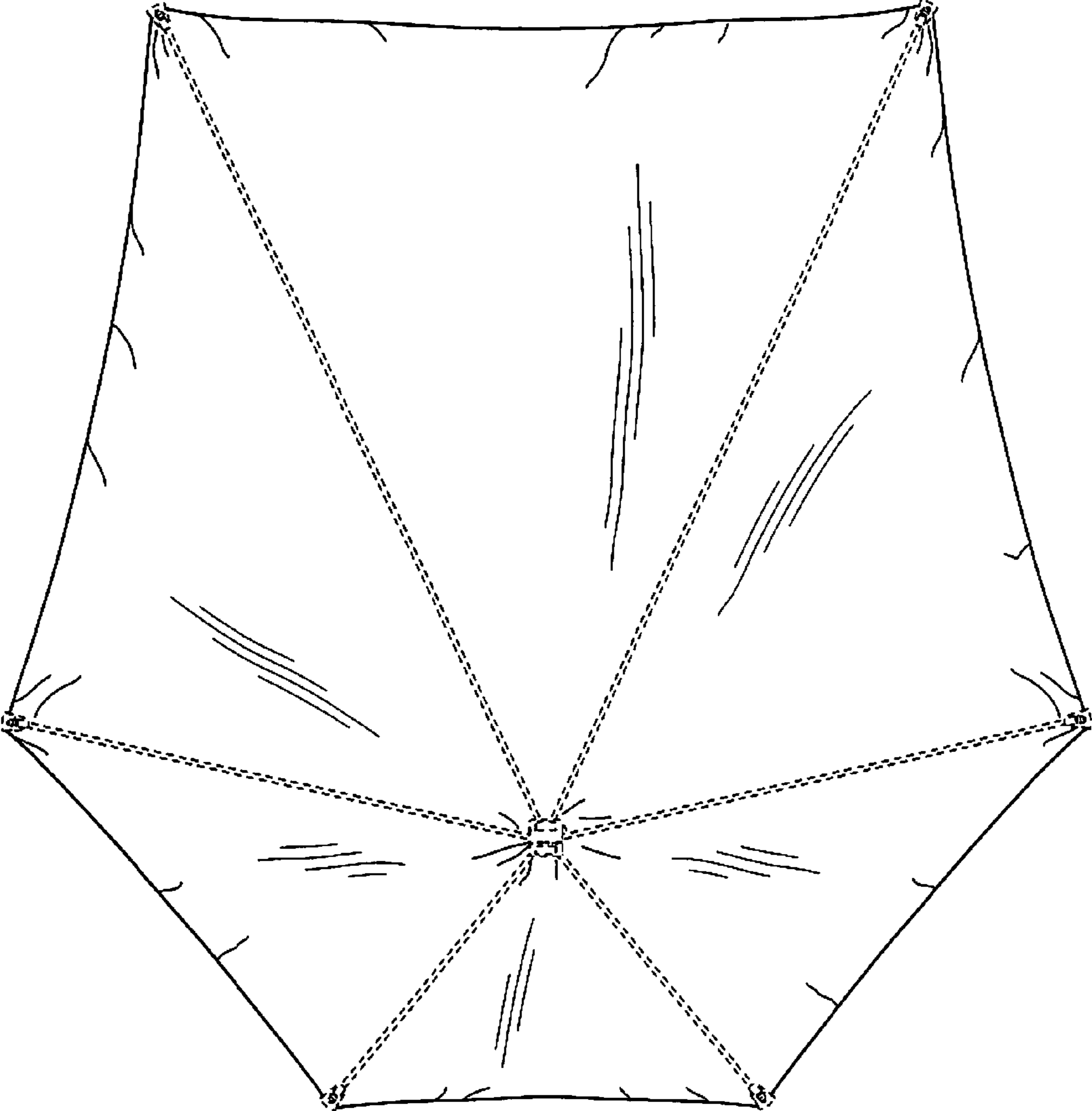


FIG. 7