



US00D627125S

(12) **United States Design Patent**  
**Parks**

(10) **Patent No.:** **US D627,125 S**

(45) **Date of Patent:** **\*\* \*Nov. 9, 2010**

(54) **CASKET**

5,960,978 A \* 10/1999 Jenkins ..... 220/200  
D608,974 S \* 1/2010 Parks ..... D99/1

(76) Inventor: **Charles C. Parks**, 11728 S. Willow,  
Jenks, OK (US) 74037

\* cited by examiner

(\*) Notice: This patent is subject to a terminal disclaimer.

*Primary Examiner*—T. Chase Nelson  
*Assistant Examiner*—Michael A Pratt  
(74) *Attorney, Agent, or Firm*—Gable & Gotwals

(\*\*) Term: **14 Years**

(57) **CLAIM**

(21) Appl. No.: **29/351,929**

The ornamental design of a casket, as shown and described.

(22) Filed: **Dec. 14, 2009**

**DESCRIPTION**

**Related U.S. Application Data**

(63) Continuation of application No. 29/312,260, filed on Oct. 9, 2008, now Pat. No. Des. 608,974.

FIG. 1 is a front elevational view of the casket illustrating my new design.

FIG. 2 is a top plan view of my design.

(51) **LOC (9) Cl.** ..... **99-00**

FIG. 3 is a left side elevational view of my design.

(52) **U.S. Cl.** ..... **D99/1**

FIG. 4 is a right side elevational view of my design; and,

(58) **Field of Classification Search** ..... D99/1-24;  
27/1-8, 14, 27, 30; 52/103; 40/124.5  
See application file for complete search history.

FIG. 5 is a rear elevational view of my design.

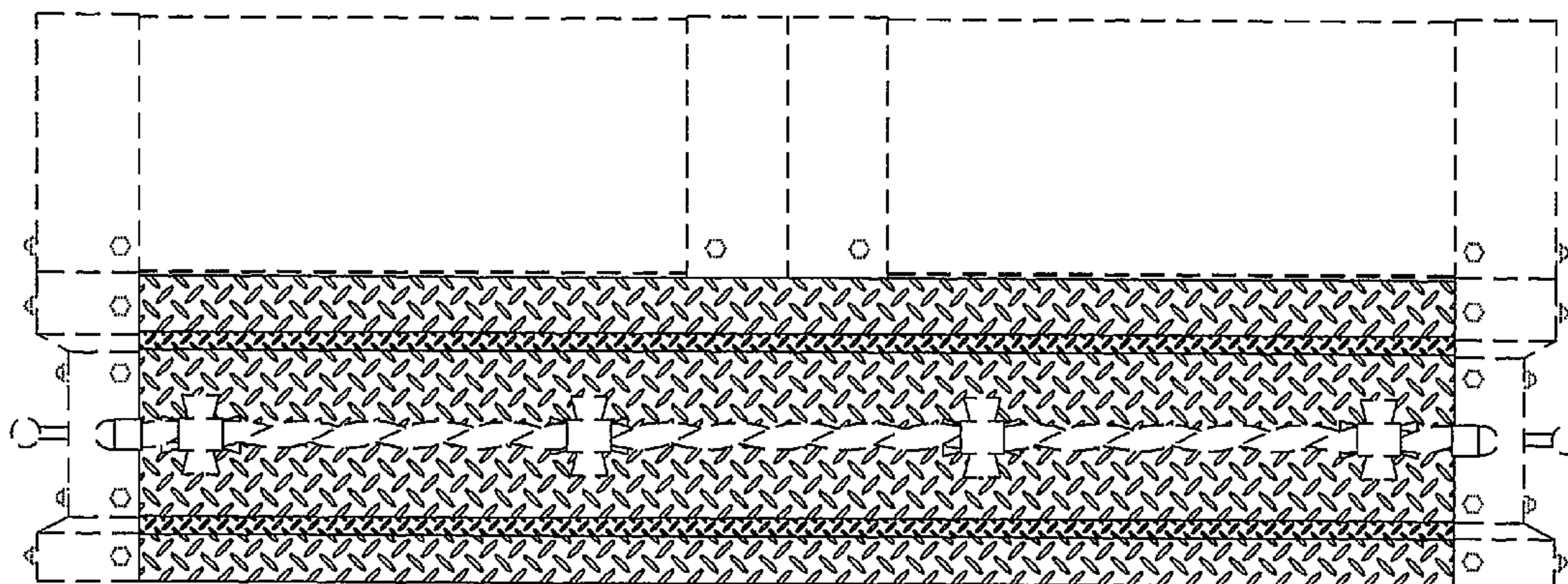
The broken line portions of the casket in FIGS. 1 through 5 which include the shape of the casket lid and casket body, the casket handles, handle supports and lid hinges form no part of the design. The Dotted portions showing of fastener heads in FIGS. 1 through 5 also form no part of the claimed design.

(56) **References Cited**

**U.S. PATENT DOCUMENTS**

2,929,128 A \* 3/1960 White ..... 27/14  
5,448,810 A \* 9/1995 Mackirdy ..... 27/6

**1 Claim, 4 Drawing Sheets**



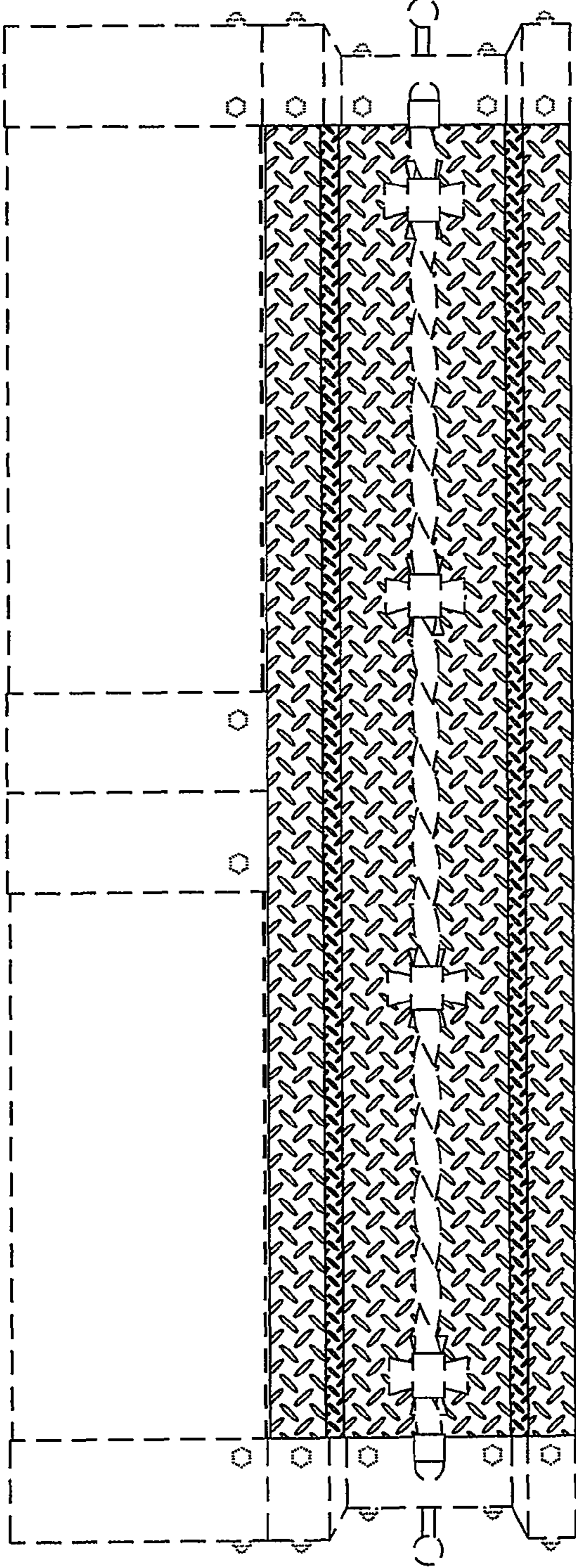


Fig. 1

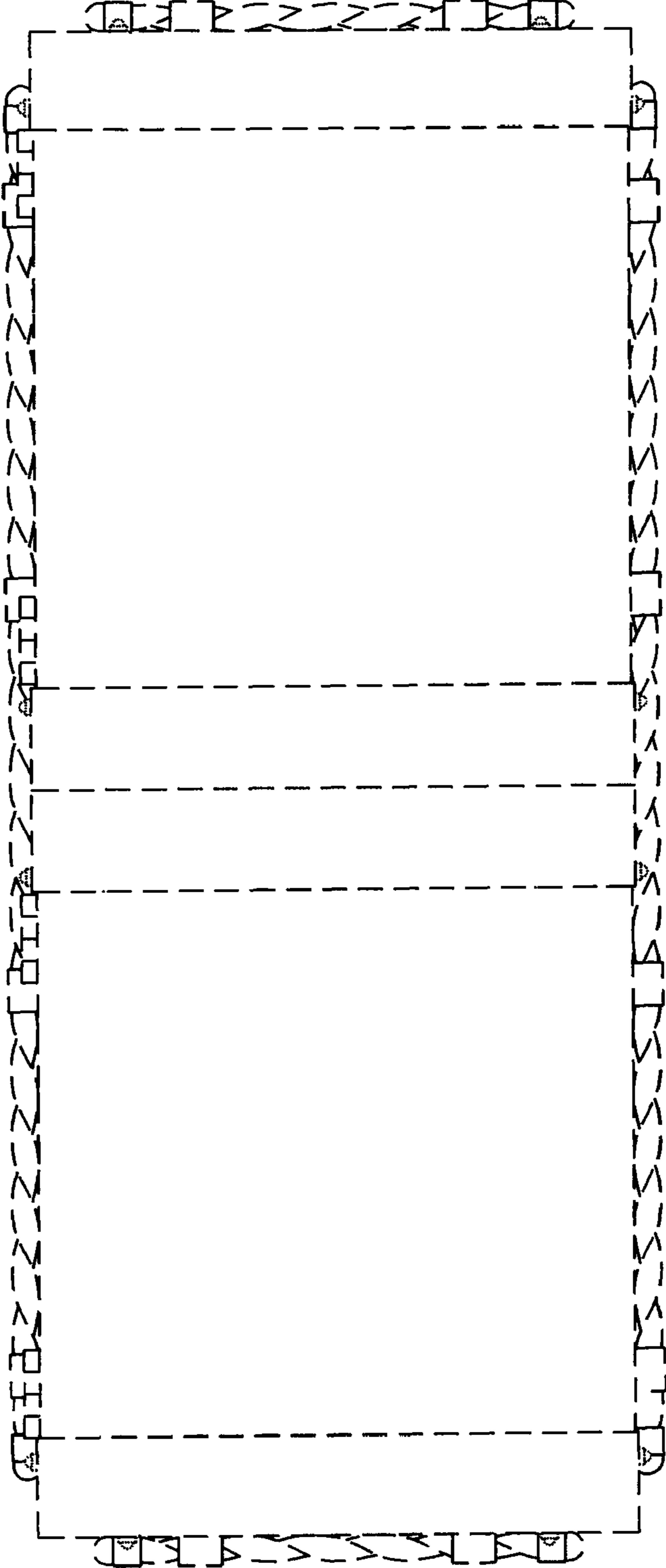


Fig. 2

Fig. 3

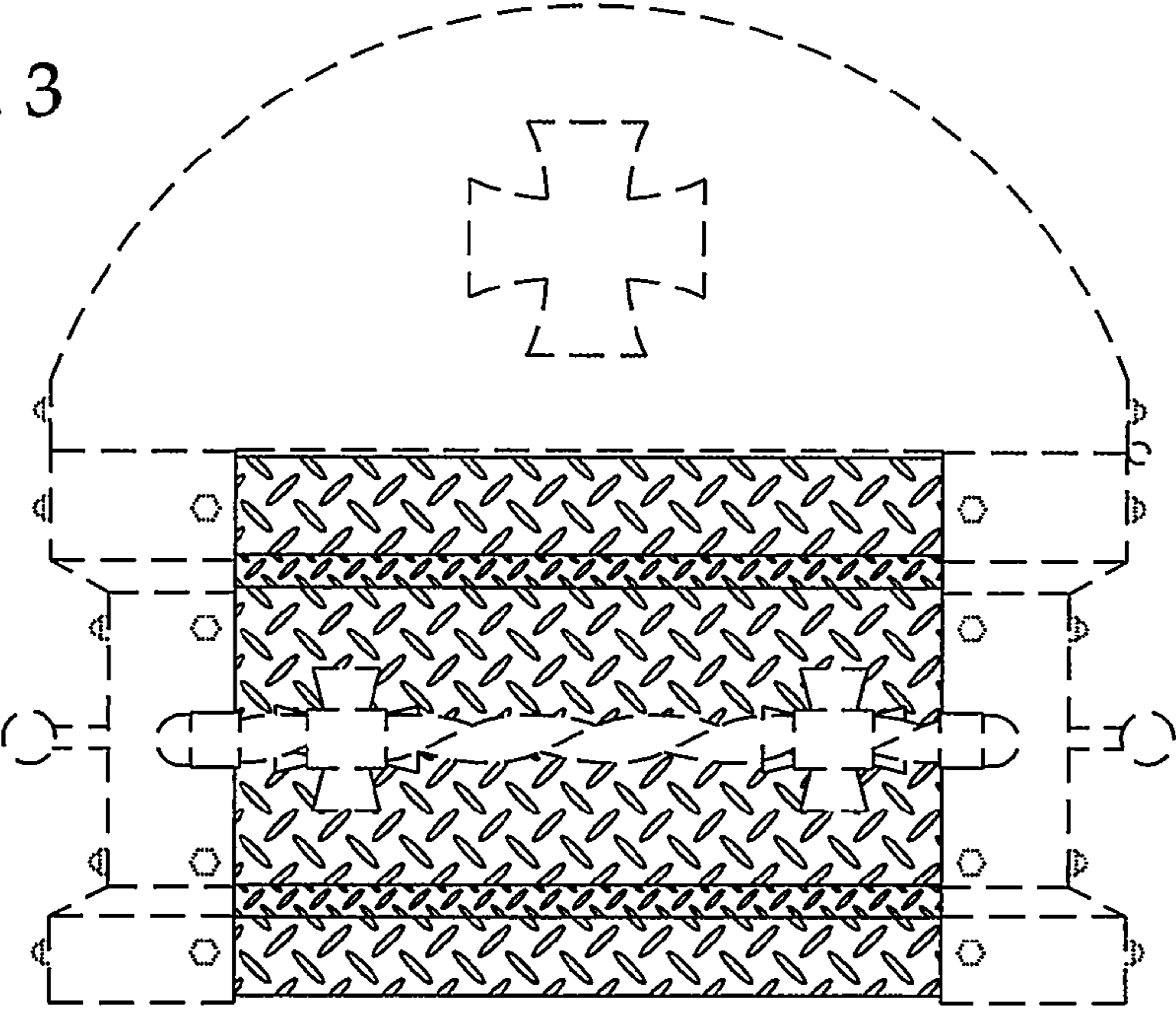
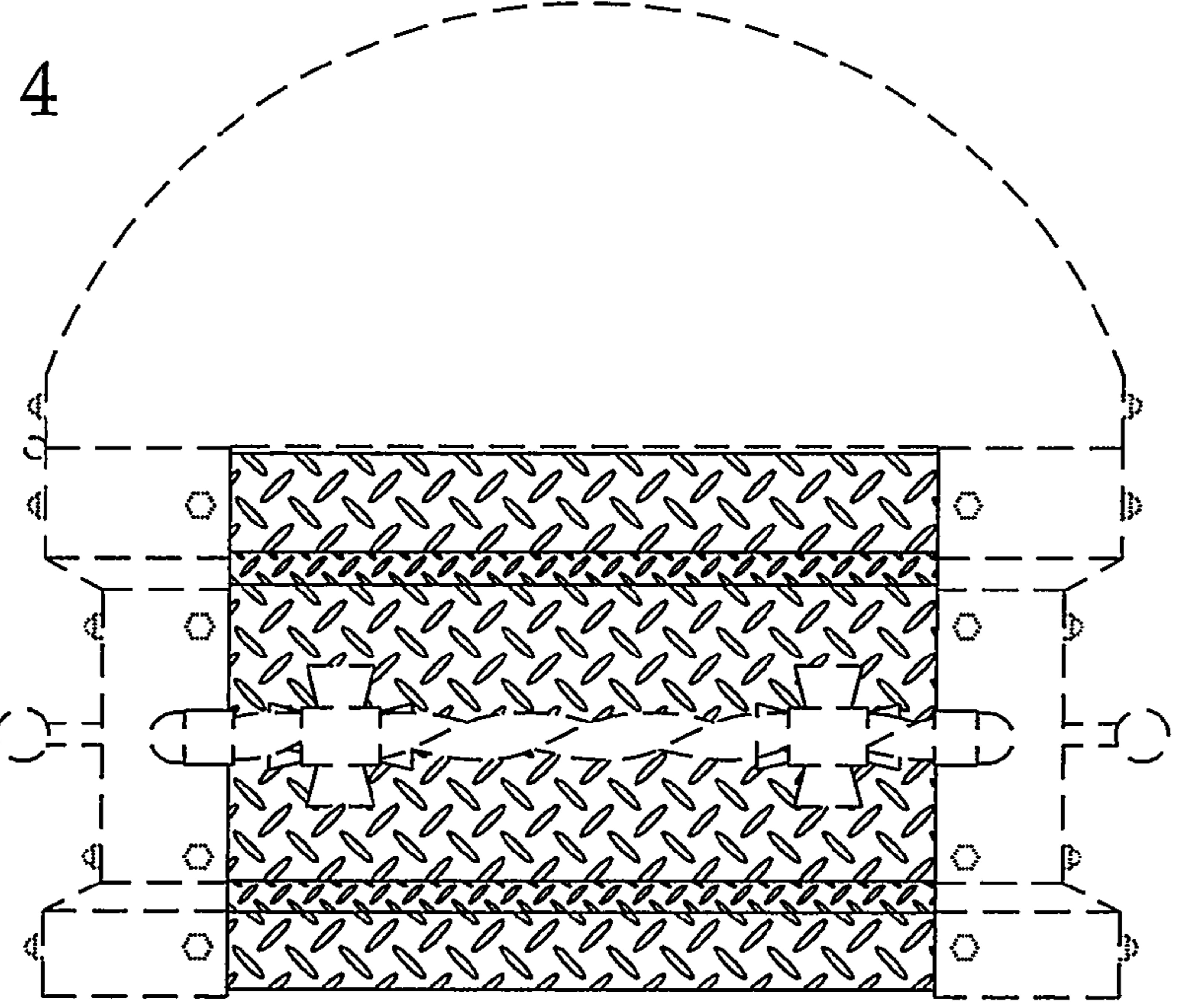


Fig. 4



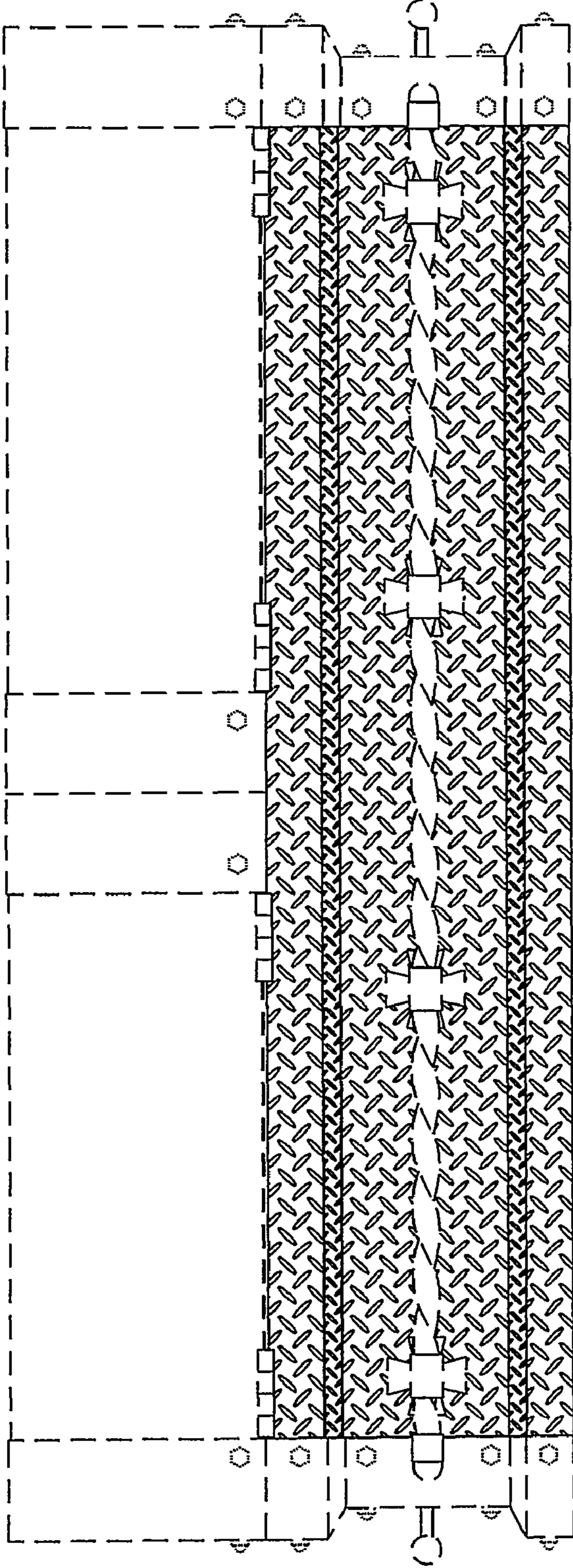


Fig. 5