



US00D627121S

(12) **United States Design Patent**
Merritt

(10) **Patent No.:** **US D627,121 S**
(45) **Date of Patent:** **** Nov. 9, 2010**

(54) **DISH RACK**

(75) Inventor: **John Merritt**, Brooklyn, NY (US)

(73) Assignee: **Bed Bath & Beyond Procurement Co., Inc.**, Farmingdale, NY (US)

(**) Term: **14 Years**

(21) Appl. No.: **29/315,534**

(22) Filed: **Jul. 2, 2009**

(51) **LOC (9) Cl.** **07-05**

(52) **U.S. Cl.** **D32/55**

(58) **Field of Classification Search** D32/55,
D32/56, 58; 211/41.2, 41.3, 41.4, 41.9, 85,
211/25, 126.8, 126.9, 181.1; D6/462, 510,
D6/457

See application file for complete search history.

(56) **References Cited**

U.S. PATENT DOCUMENTS

3,027,041	A *	3/1962	Stansbury, Jr. et al.	220/572
D271,340	S *	11/1983	Taylor	D32/55
D534,701	S *	1/2007	Schmidt	D32/55
D604,072	S *	11/2009	Nielsen	D6/510
2008/0308509	A1 *	12/2008	Giuseppe	211/41.3

* cited by examiner

Primary Examiner—Cynthia E Ramirez

(74) *Attorney, Agent, or Firm*—Lerner, David, Littenberg, Krumholz & Mentlik, LLP

(57) **CLAIM**

The ornamental design for a dish rack, as shown and described.

DESCRIPTION

FIG. 1 is a perspective view of a dish rack in accordance with one embodiment of the present invention shown in a closed orientation with a drip tray shown in retracted position;

FIG. 2 is a front elevational view of the dish rack in FIG. 1, the rear elevational view being a mirror image thereof;

FIG. 3 is a left side view of the dish rack in FIG. 1;

FIG. 4 is a right side view of the dish rack in FIG. 1;

FIG. 5 is a top plan view of the dish rack in FIG. 1;

FIG. 6 is a bottom plan view of the dish rack in FIG. 1;

FIG. 7 is a perspective view of the dish rack in accordance with the present invention shown in an open orientation with the drip tray shown in retracted position;

FIG. 8 is a front elevational view of the dish rack in FIG. 7, the rear elevational view being a mirror image thereof

FIG. 9 is a left side view of the dish rack in FIG. 7;

FIG. 10 is a right side view of the dish rack in FIG. 7;

FIG. 11 is a top plan view of the dish rack in FIG. 7;

FIG. 12 is a bottom plan view of the dish rack in FIG. 7; and,

FIG. 13 is a perspective view of the dish rack shown in FIG. 7 with the drip tray shown in extended position.

The broken lines shown in the drawings are for illustration purposes only and form no part of the claimed design.

1 Claim, 13 Drawing Sheets

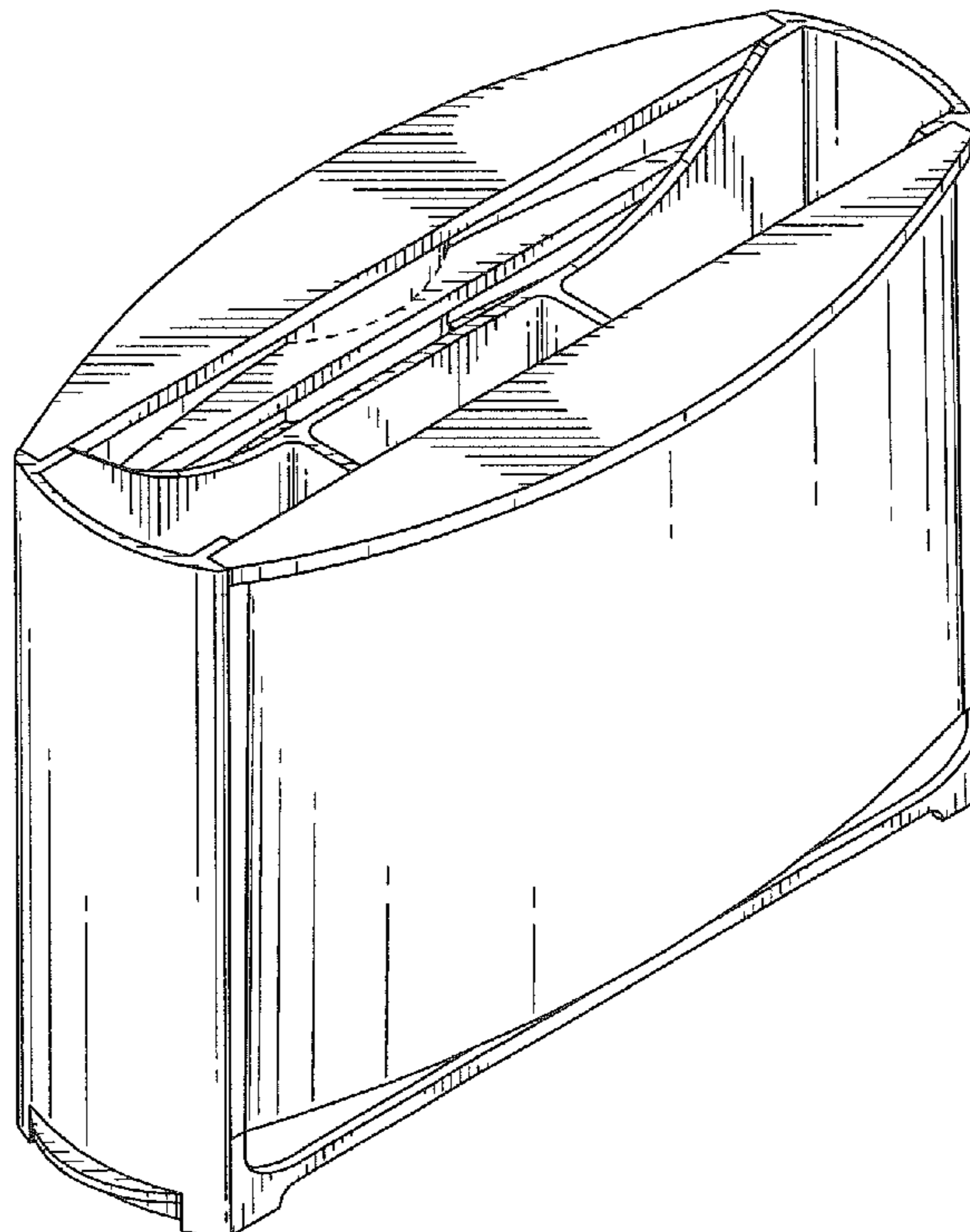


FIG. 1

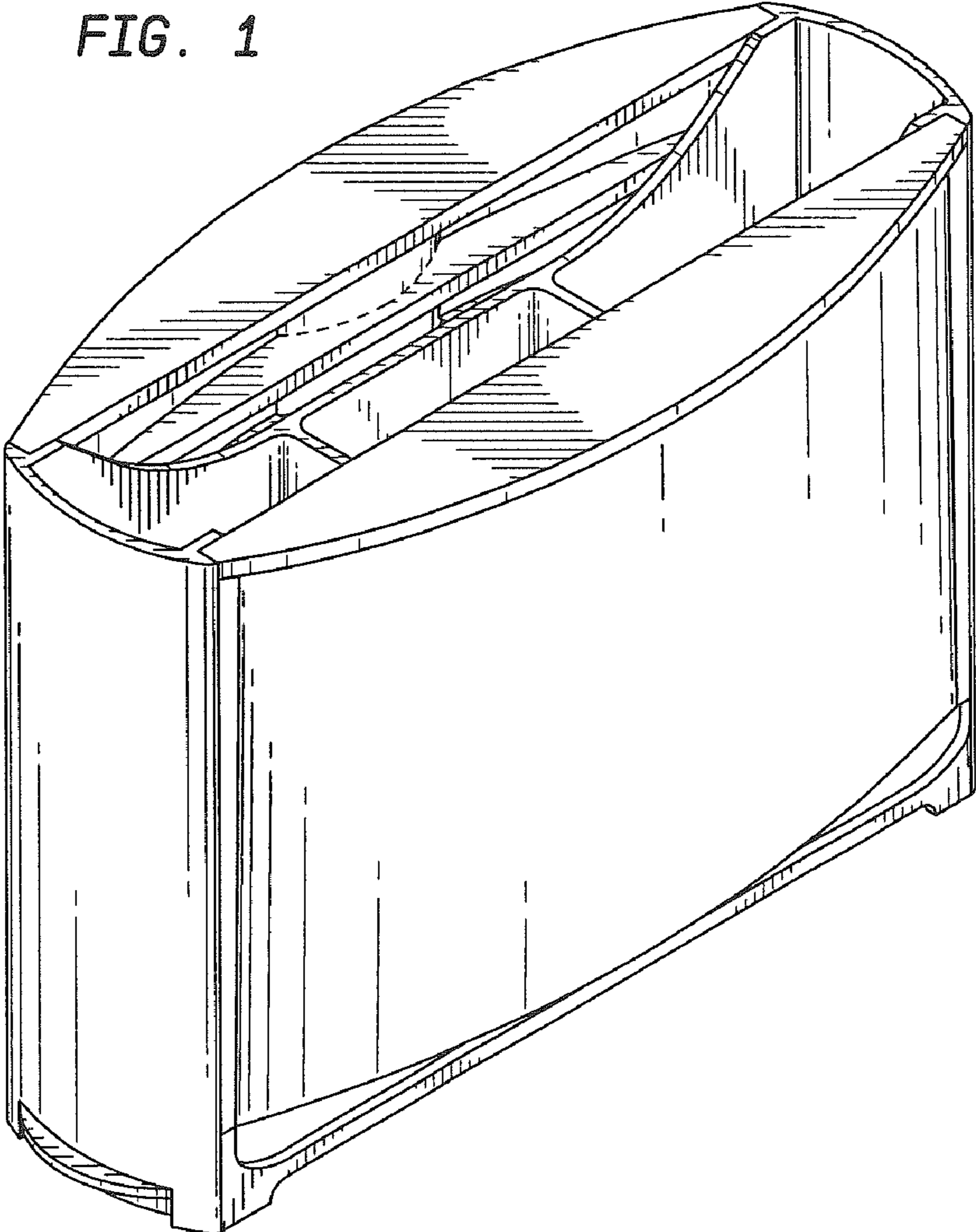


FIG. 2

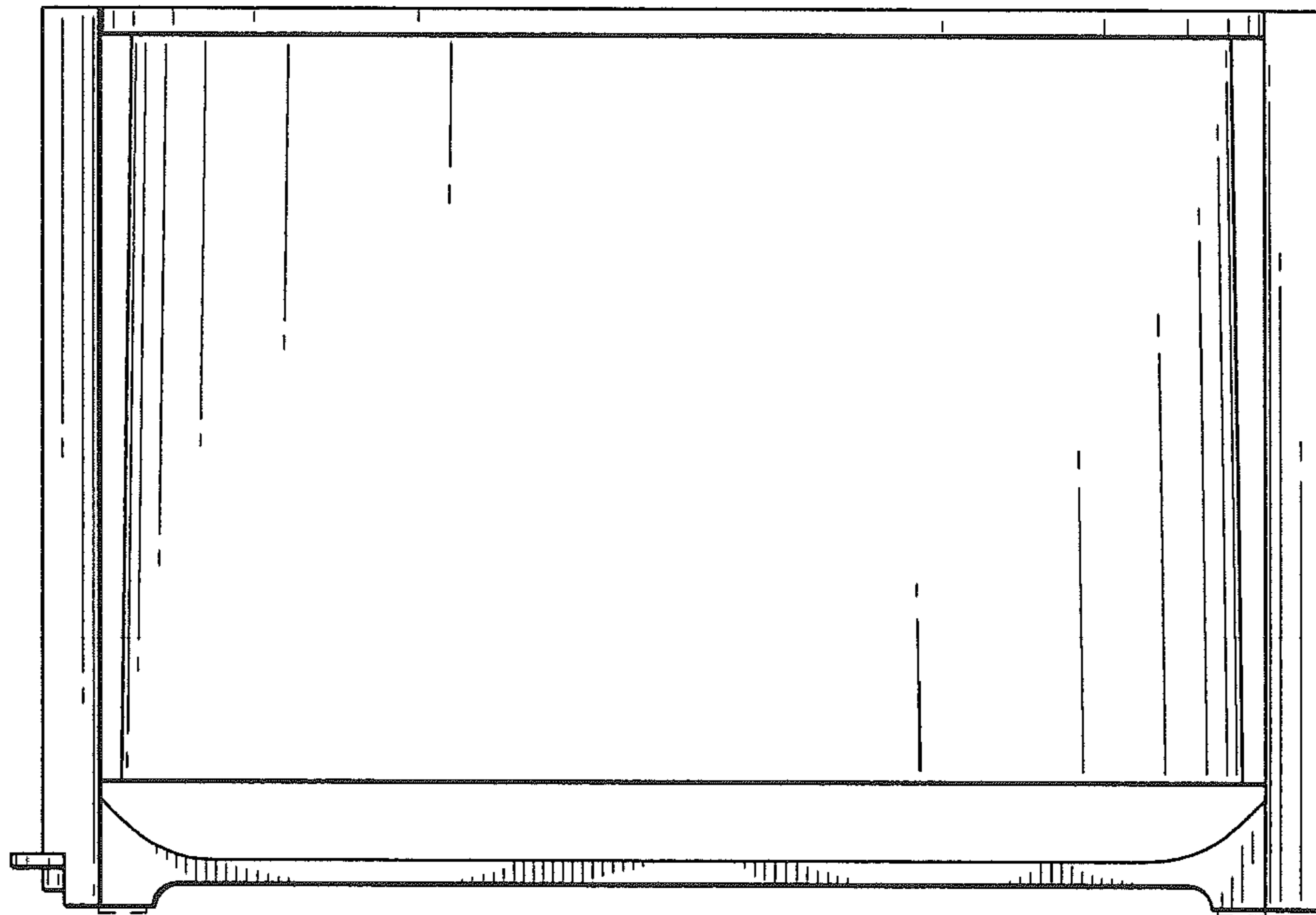


FIG. 3

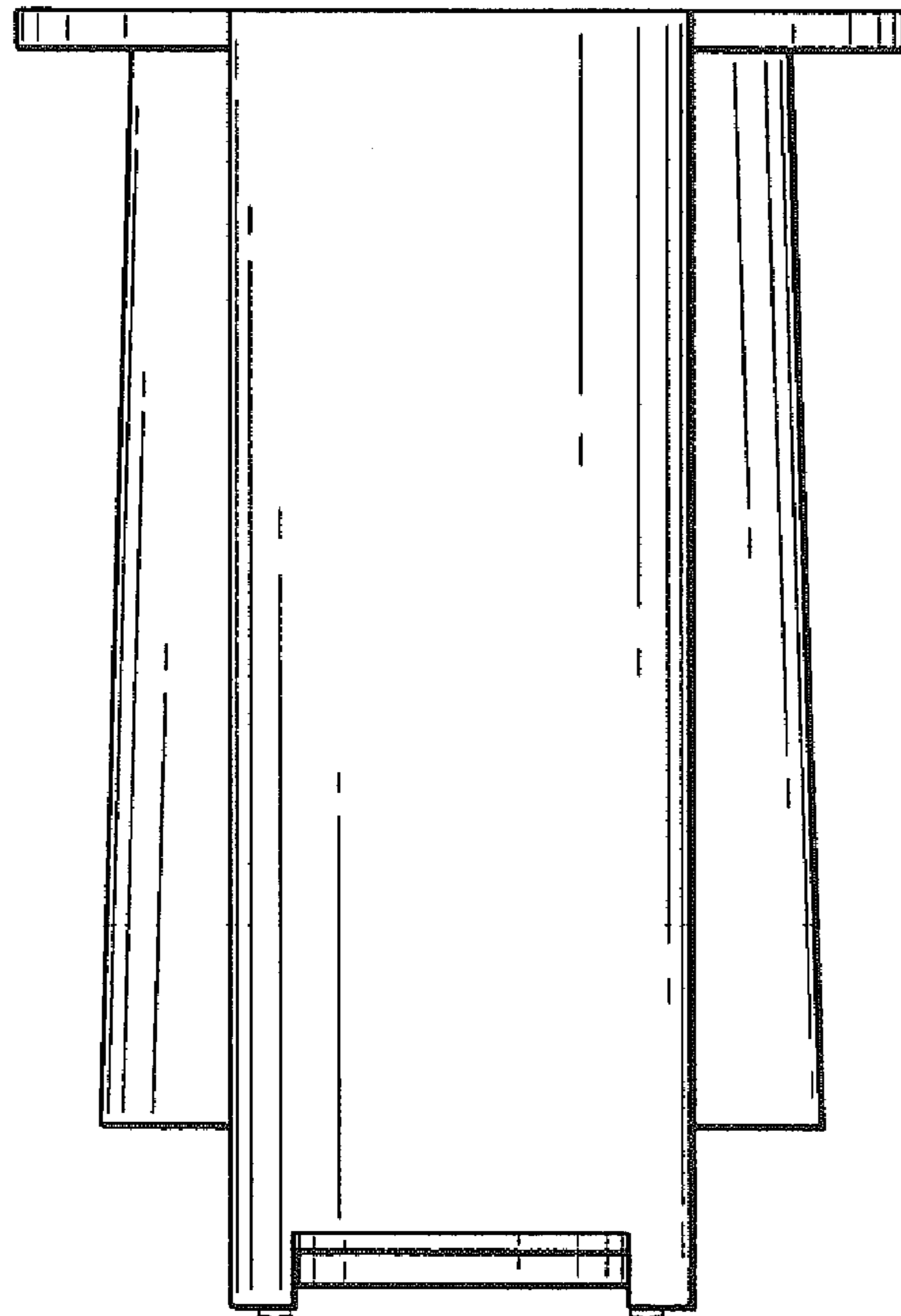


FIG. 4

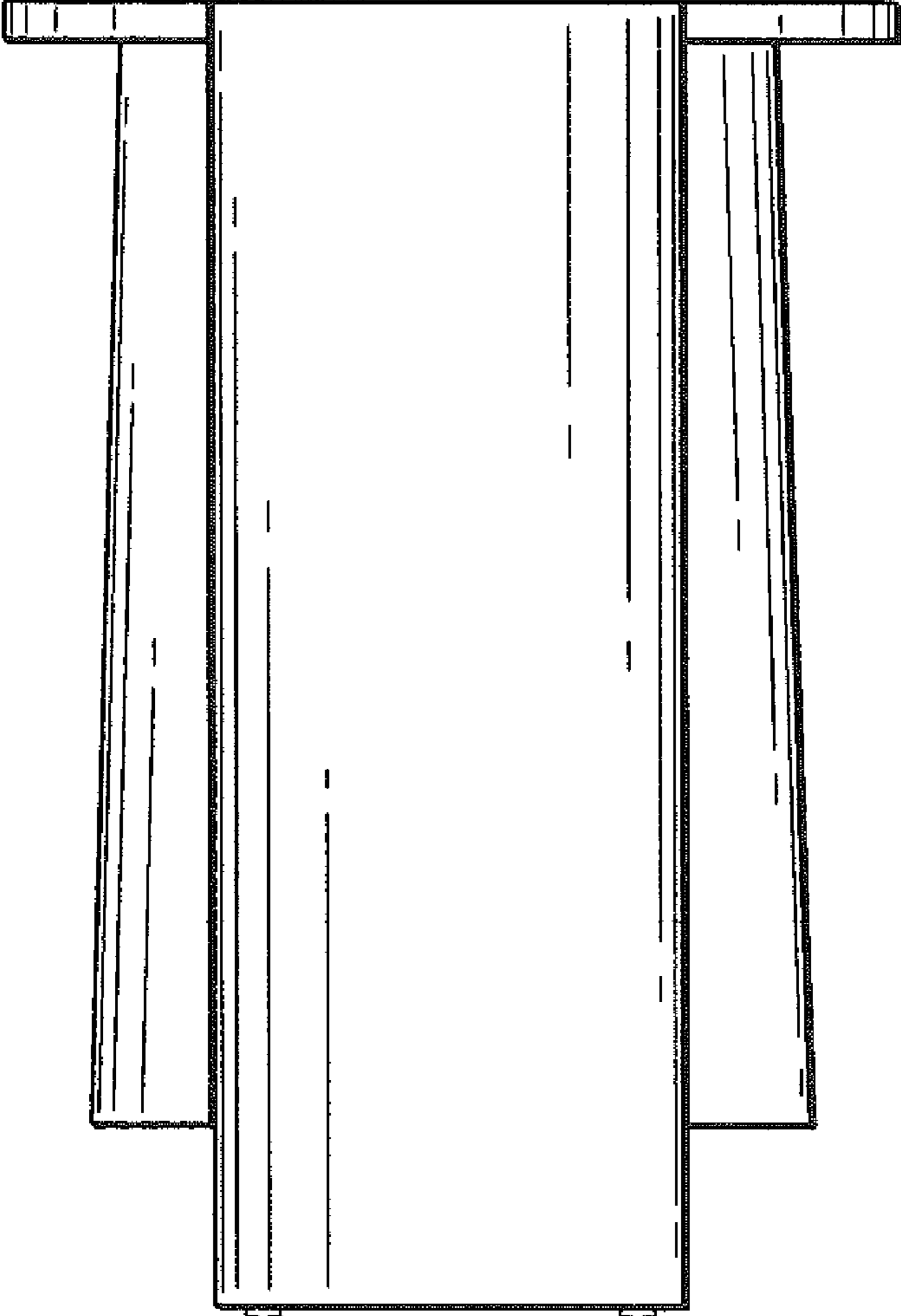


FIG. 5

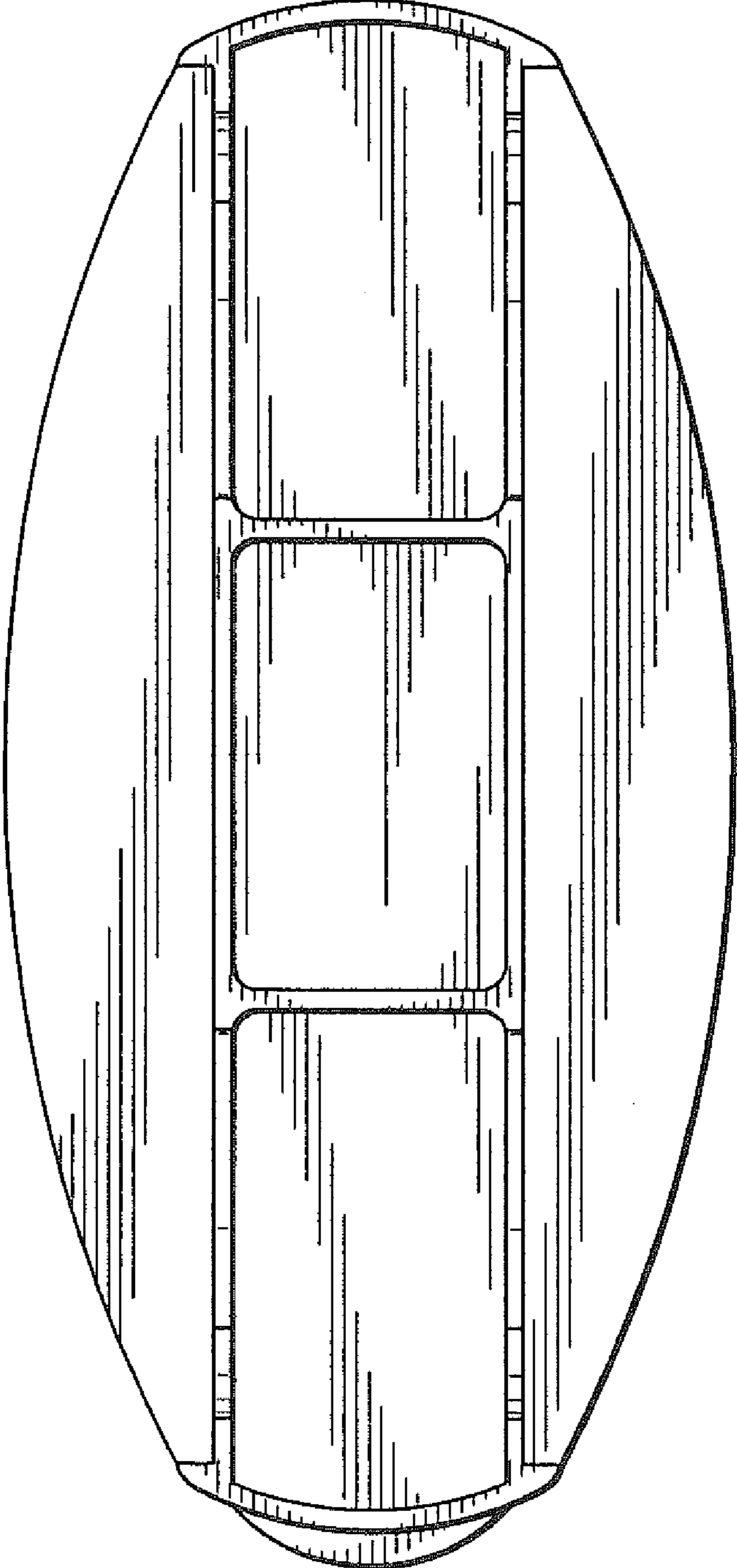
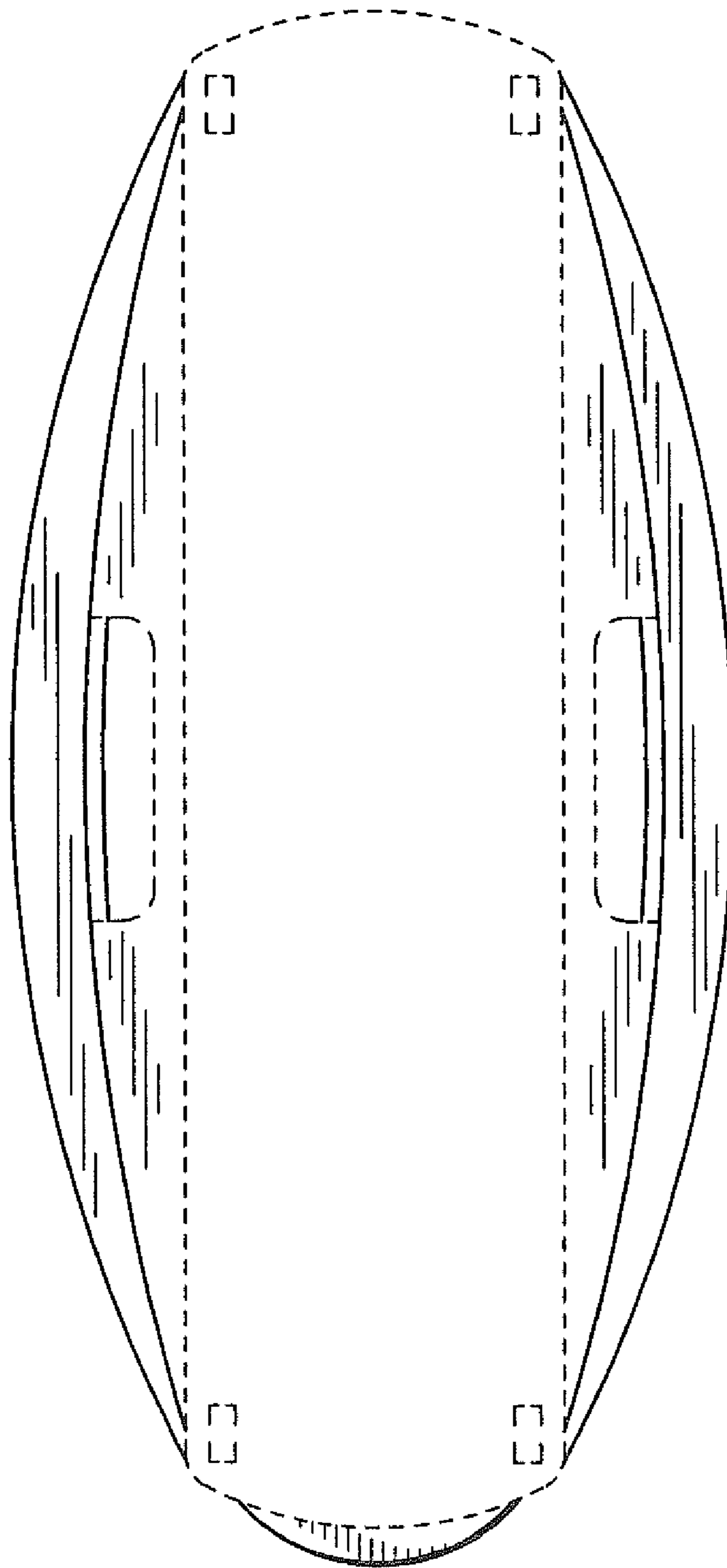


FIG. 6



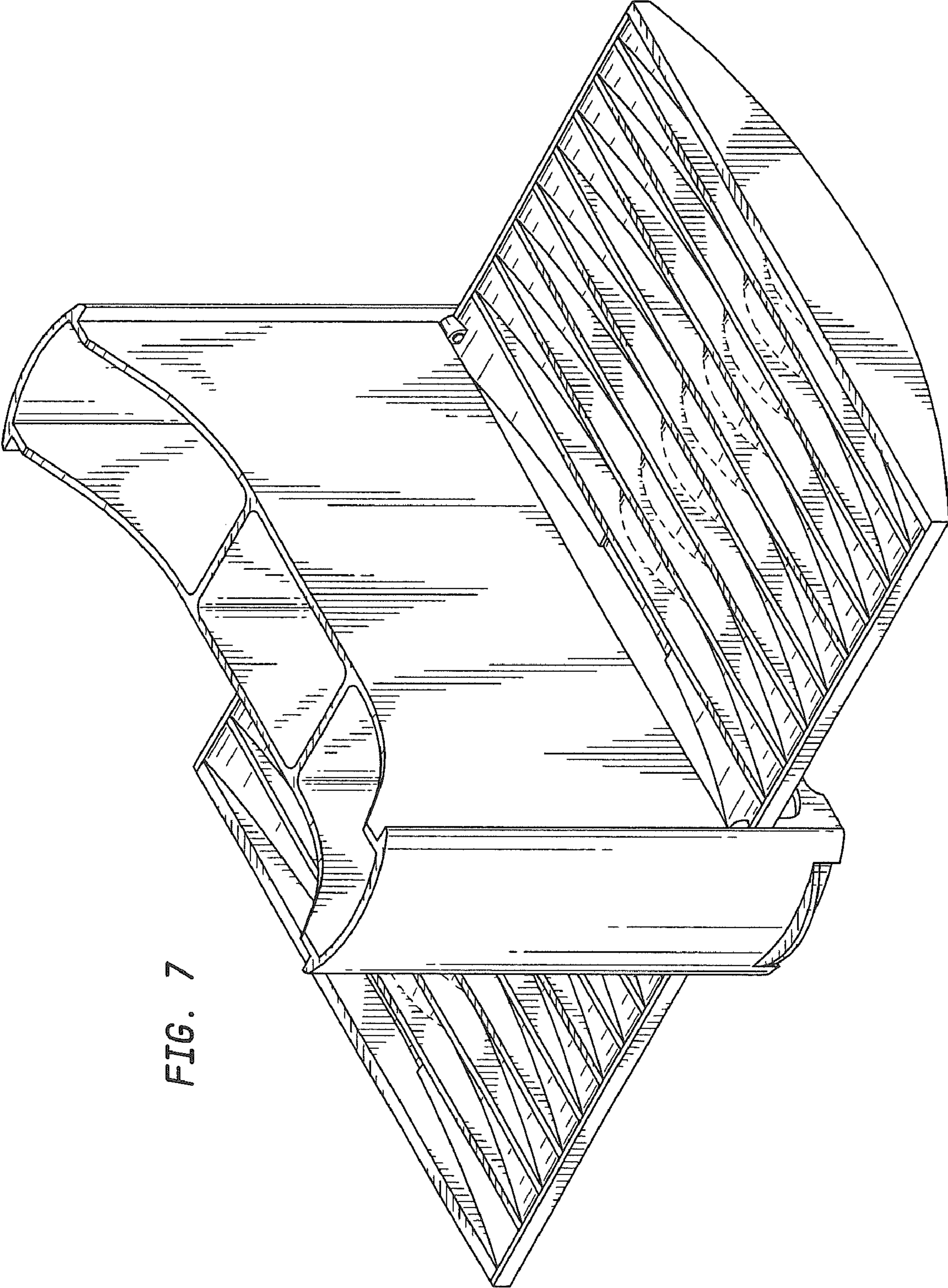


FIG. 7

FIG. B

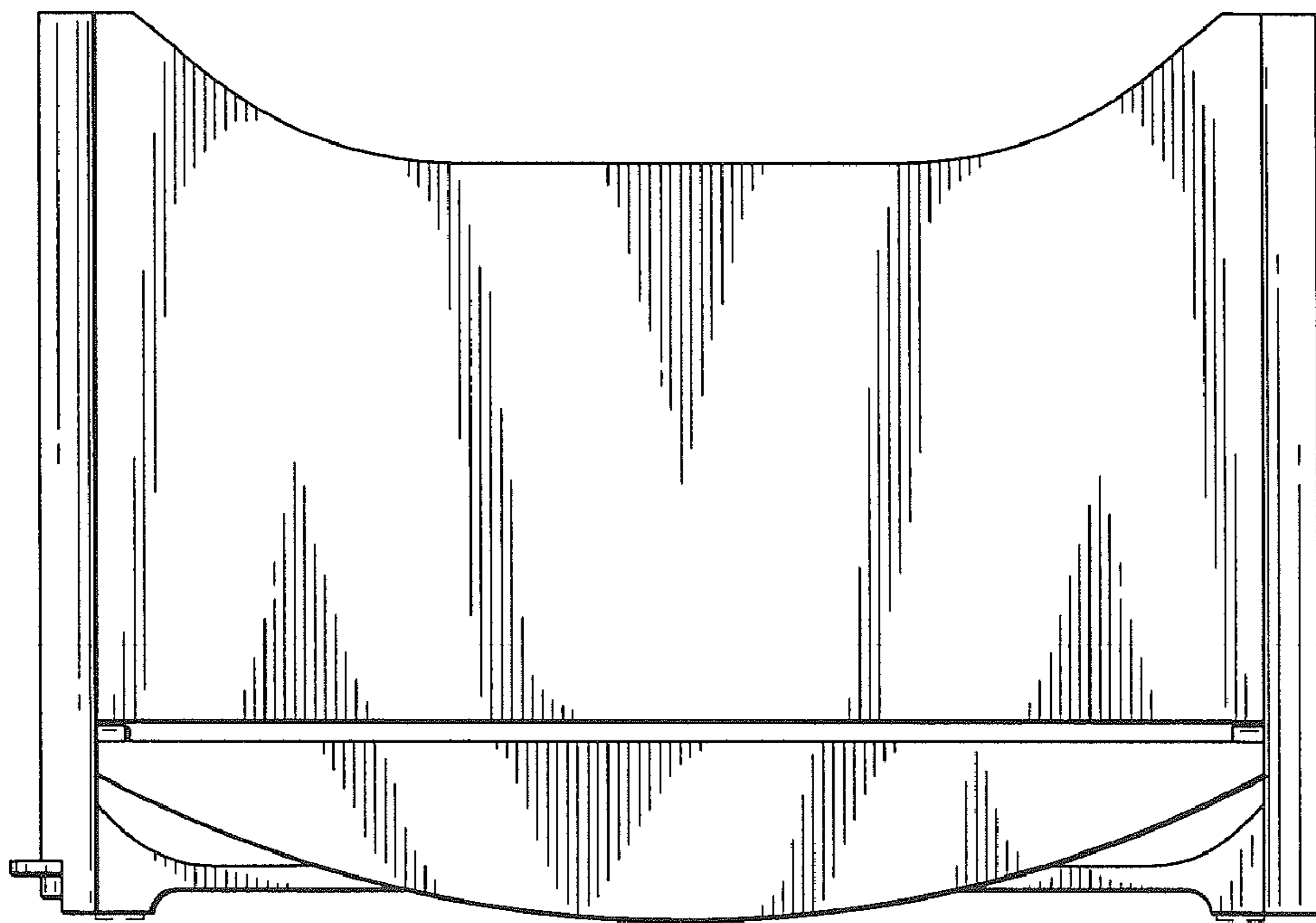


FIG. 9

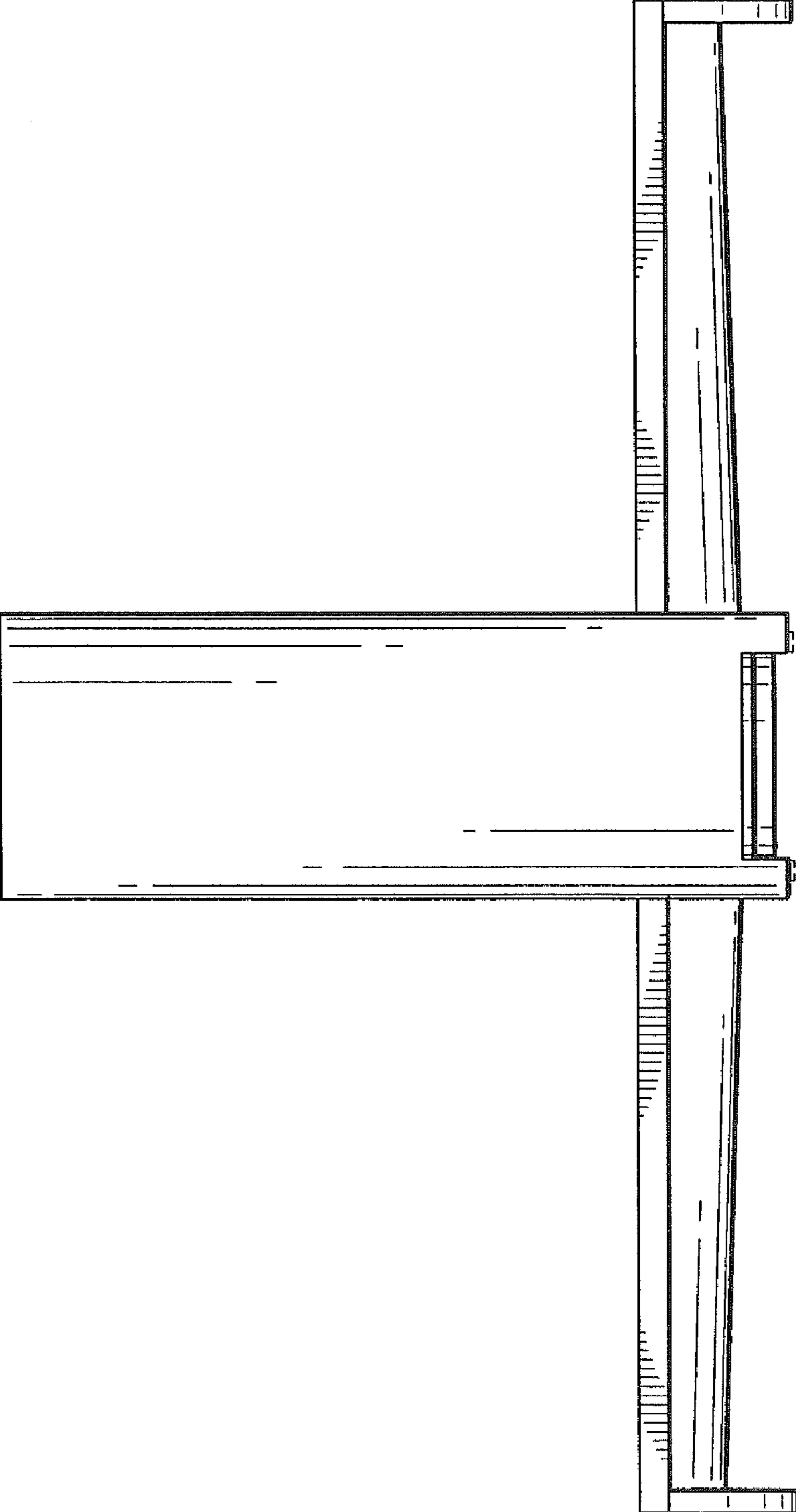


FIG. 10

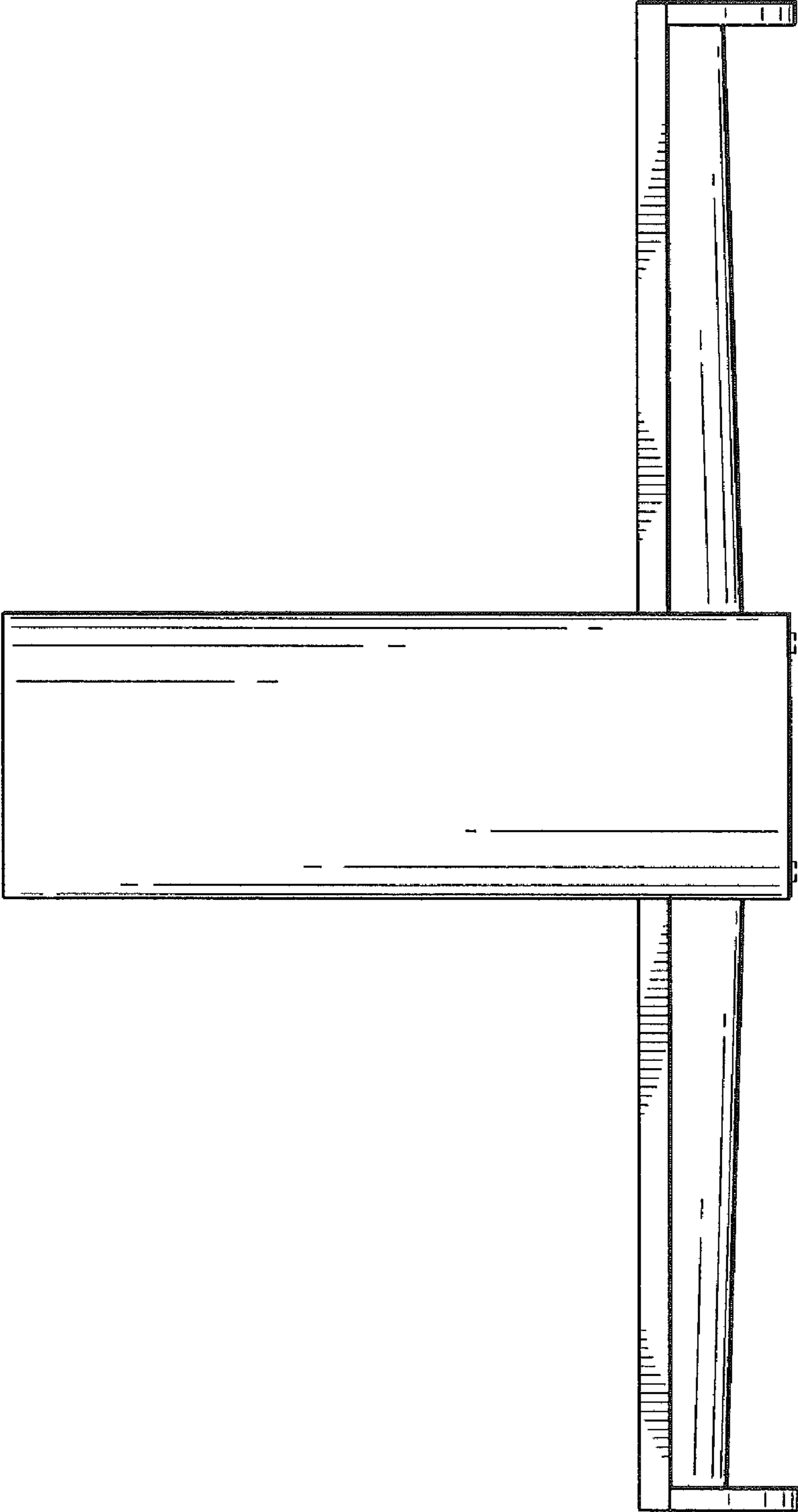


FIG. 11

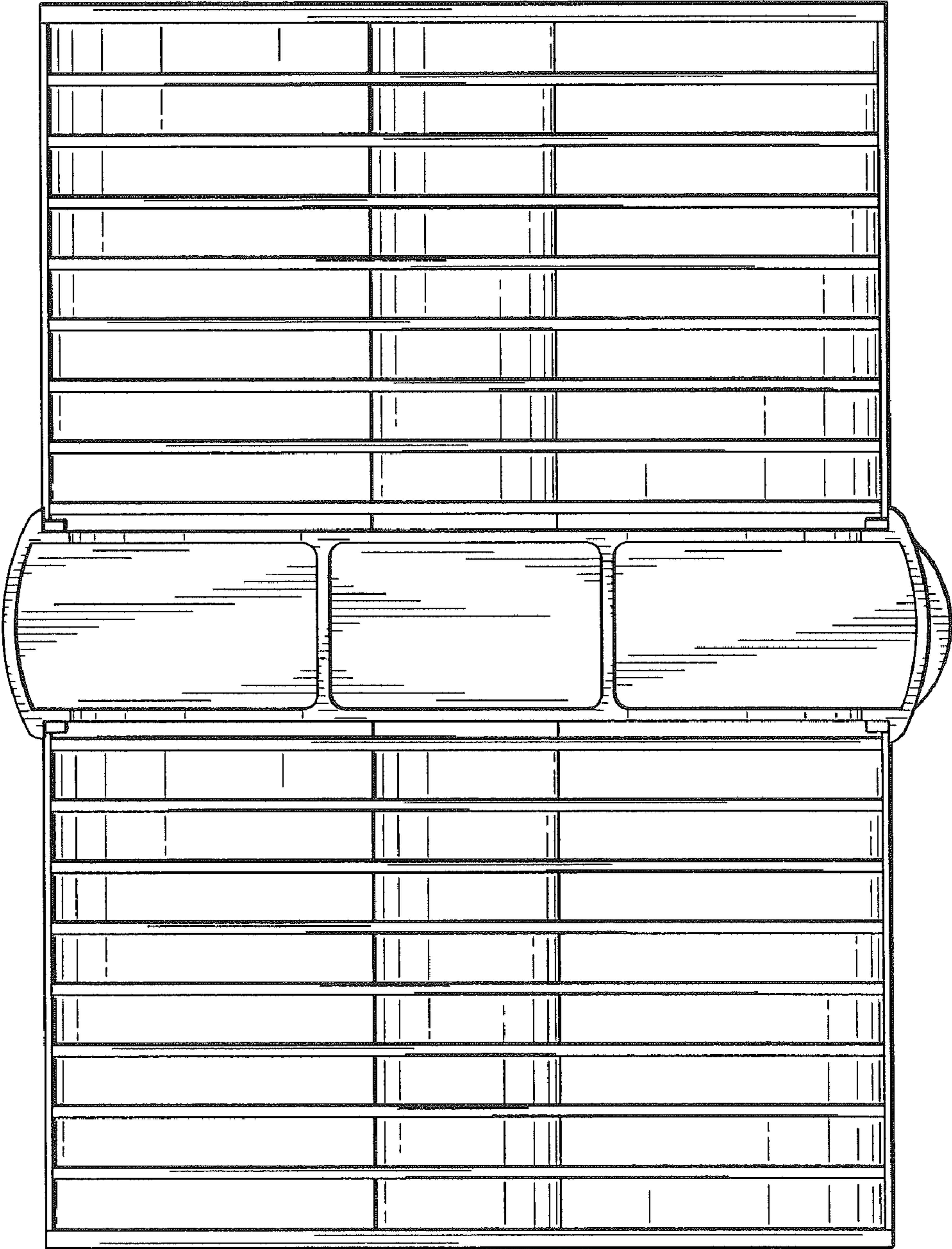
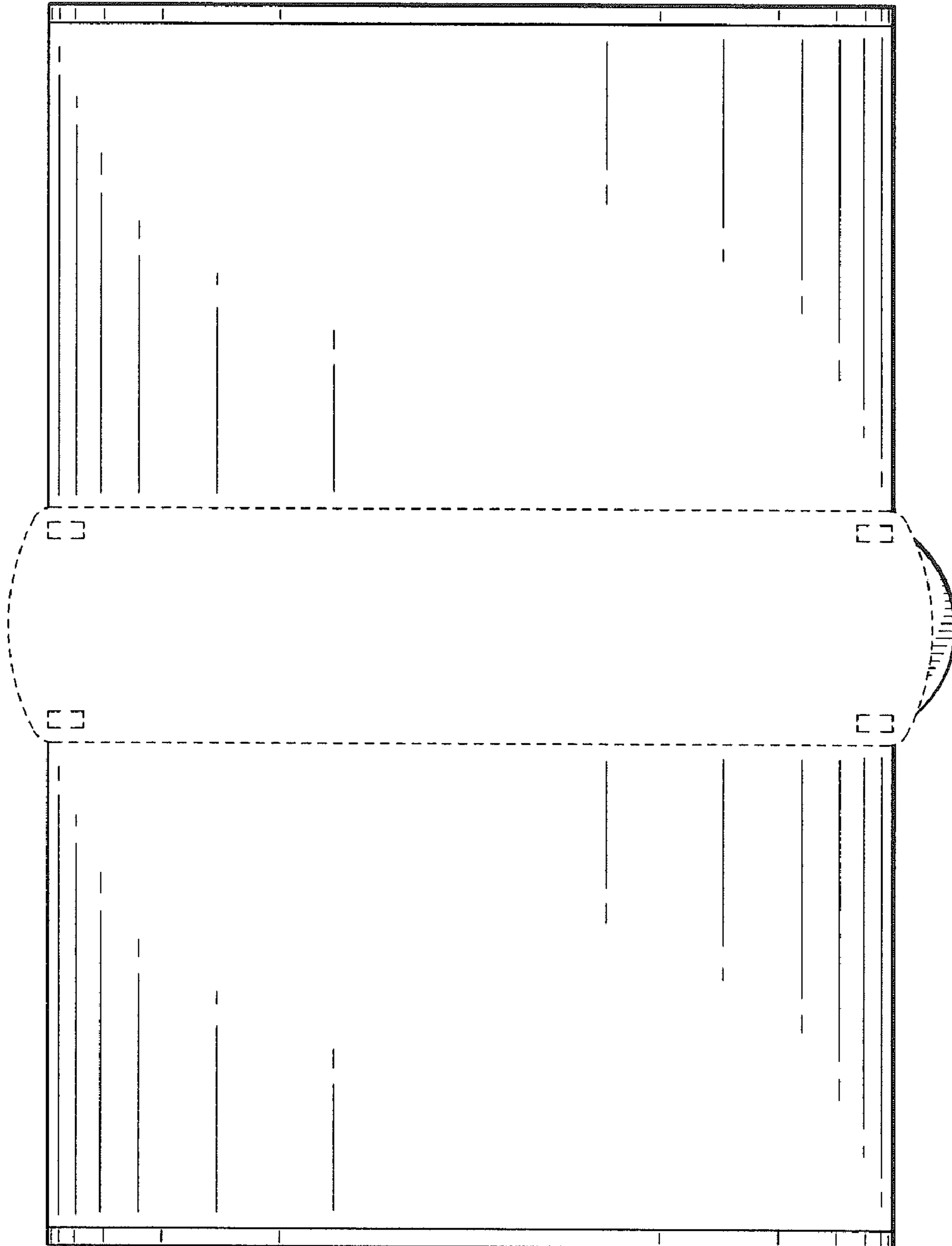


FIG. 12



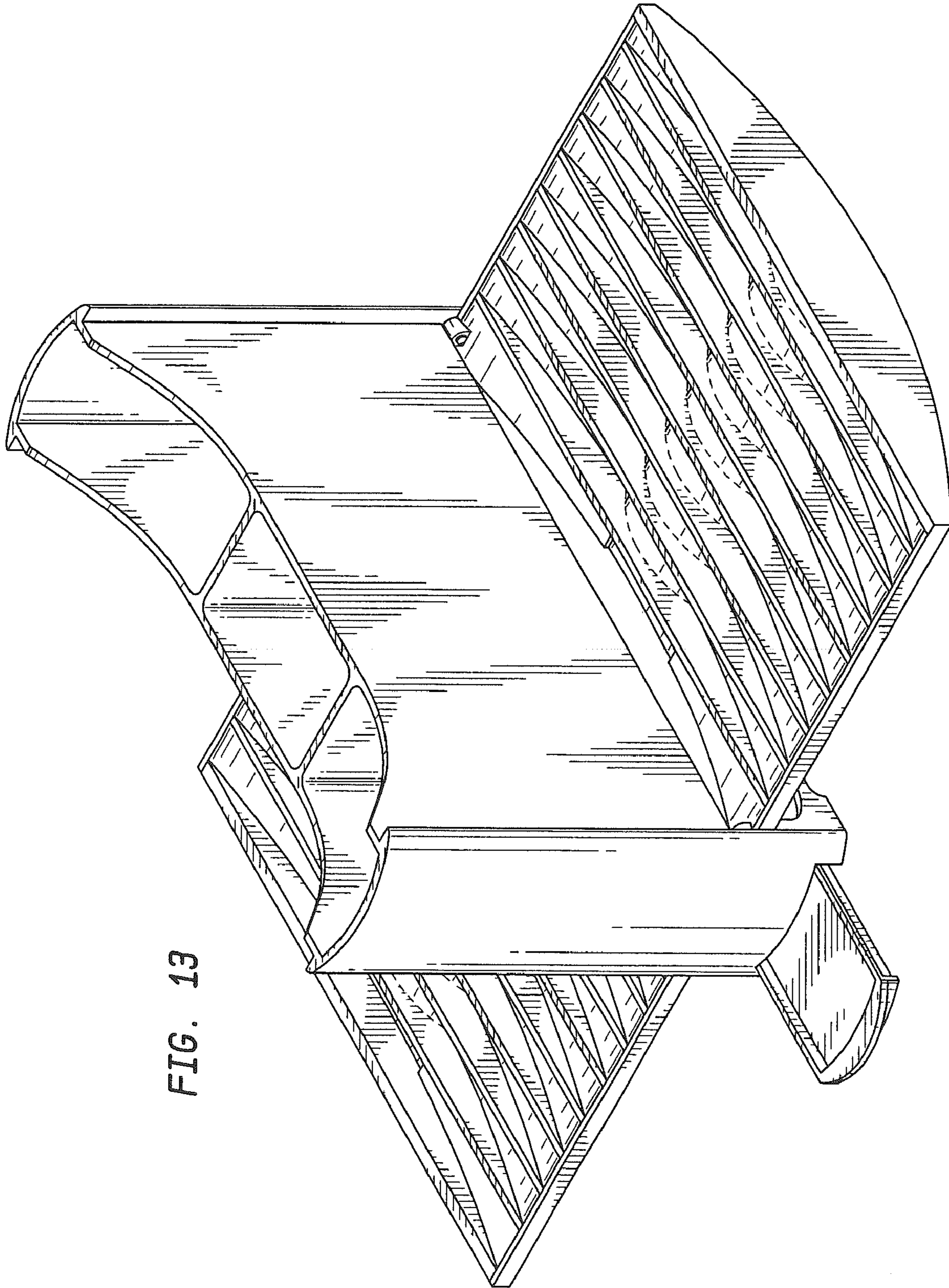


FIG. 13