

US00D627120S

(12) **United States Design Patent**  
**Davidson**

(10) **Patent No.:** **US D627,120 S**

(45) **Date of Patent:** **\*\* Nov. 9, 2010**

(54) **PAINT TRAY LINER**

(75) Inventor: **M. Richard Davidson**, Beloeil (CA)

(73) Assignee: **Design Styletto inc.**, Beloeil (CA)

(\*\*) Term: **14 Years**

(21) Appl. No.: **29/356,533**

(22) Filed: **Feb. 26, 2010**

(51) **LOC (9) Cl.** ..... **07-07**

(52) **U.S. Cl.** ..... **D32/54; D32/53.1**

(58) **Field of Classification Search** ..... D32/53,  
D32/53.1, 54; 15/257.01–257.06, 570, 495.01,  
15/495.02

See application file for complete search history.

(56) **References Cited**

**U.S. PATENT DOCUMENTS**

- D208,969 S \* 10/1967 Paxton ..... D32/53.1
- 3,514,012 A \* 5/1970 Martin ..... 220/570
- D264,897 S \* 6/1982 Smith ..... D32/53.1
- D280,855 S \* 10/1985 Smith ..... D32/53.1
- D569,567 S \* 5/2008 Kohn ..... D32/53.1

D583,521 S \* 12/2008 Arvinte et al. .... D32/53.1  
\* cited by examiner

*Primary Examiner*—Robin V Webster

(74) *Attorney, Agent, or Firm*—Benoît & Côté, s.e.n.c.

(57) **CLAIM**

The ornamental design for a paint tray liner, as shown and described.

**DESCRIPTION**

FIG. 1 is a top isometric view of the paint tray liner in accordance with the present design;

FIG. 2 is a bottom isometric view of the paint tray liner in accordance with the present design;

FIG. 3 is a top plan view of the present design;

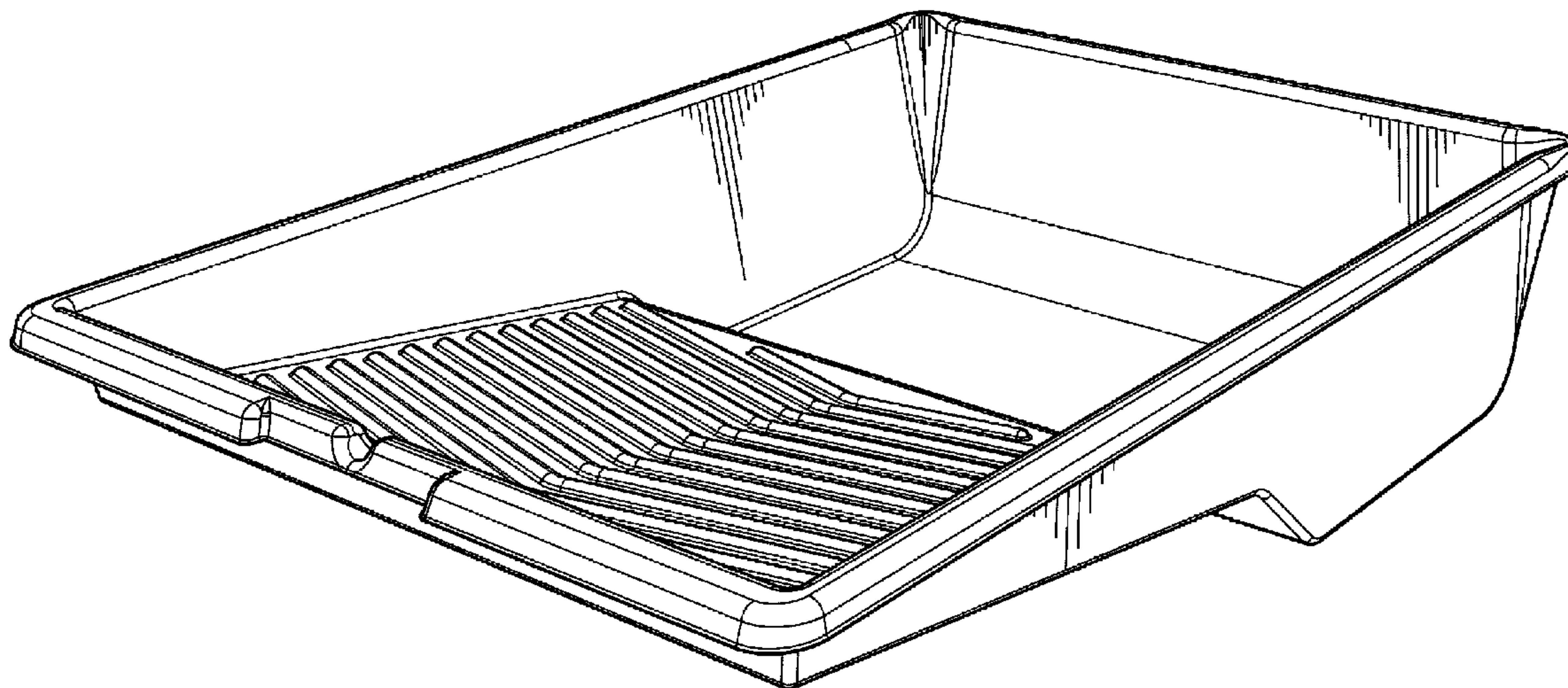
FIG. 4 is an elevational view of a first end of the present design;

FIG. 5 is an elevational view of the other end of the present design;

FIG. 6 is a bottom plan view of the present design; and,

FIG. 7 is a left side elevational view of the present design, the right side elevational view being a mirror image thereof.

**1 Claim, 6 Drawing Sheets**



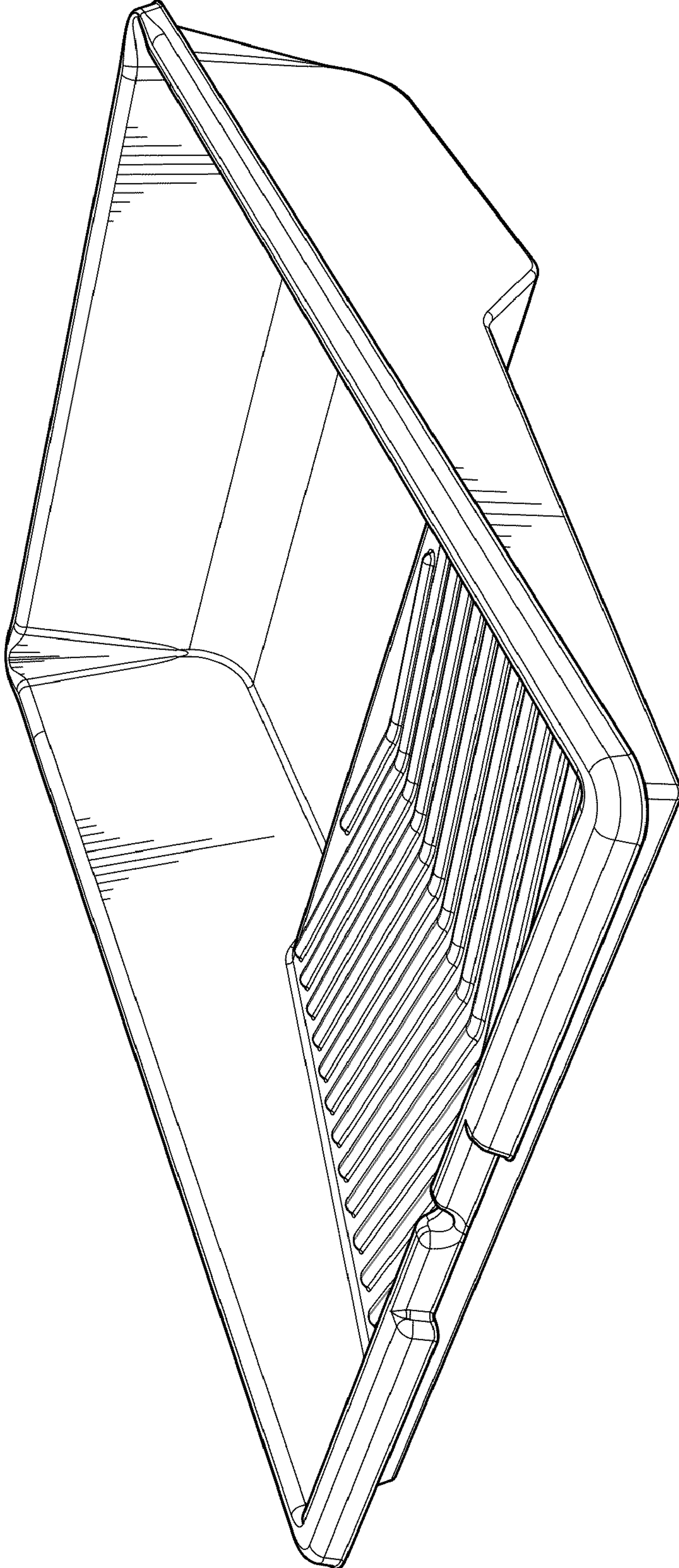


FIG. 1

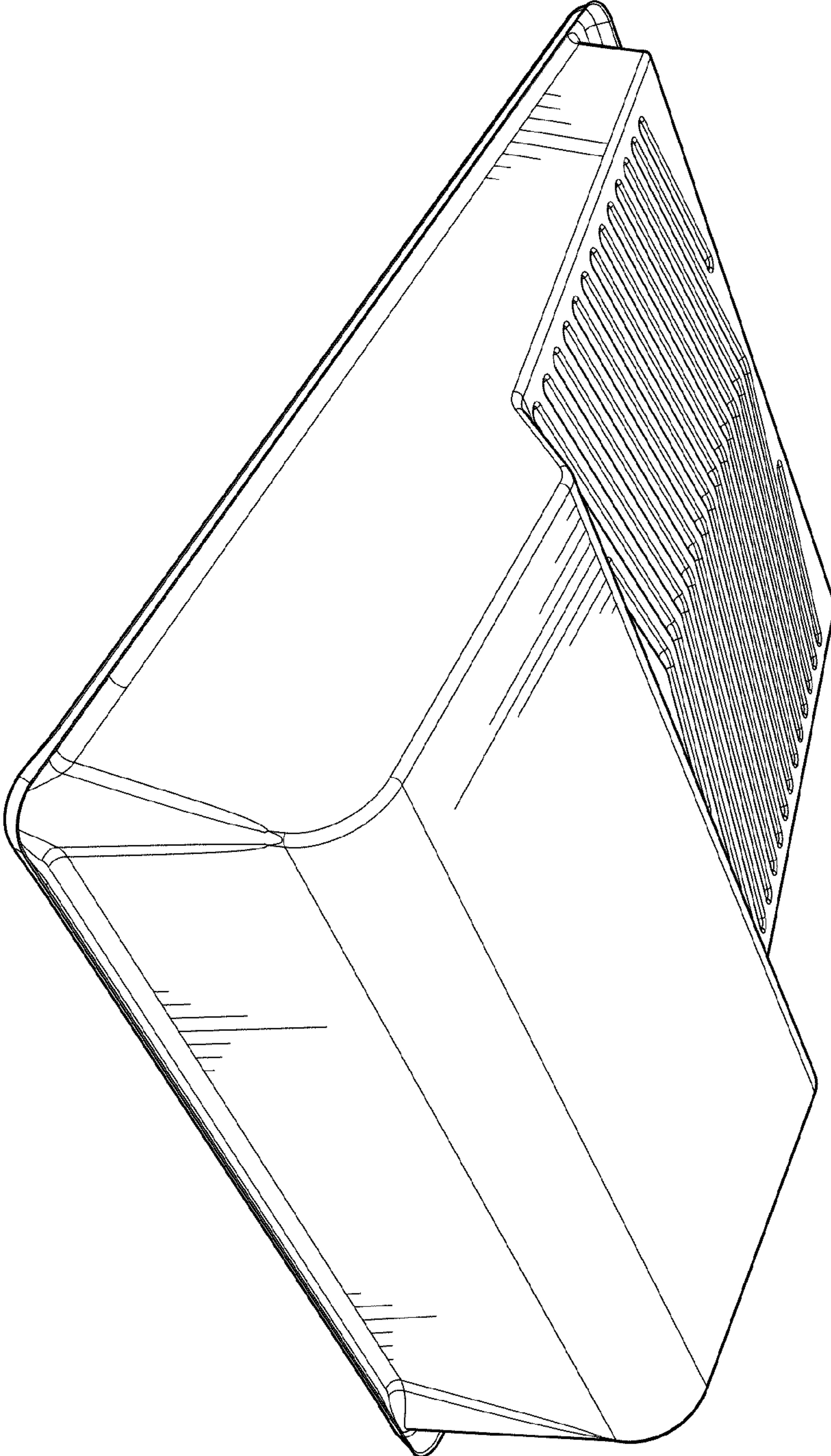


FIG. 2



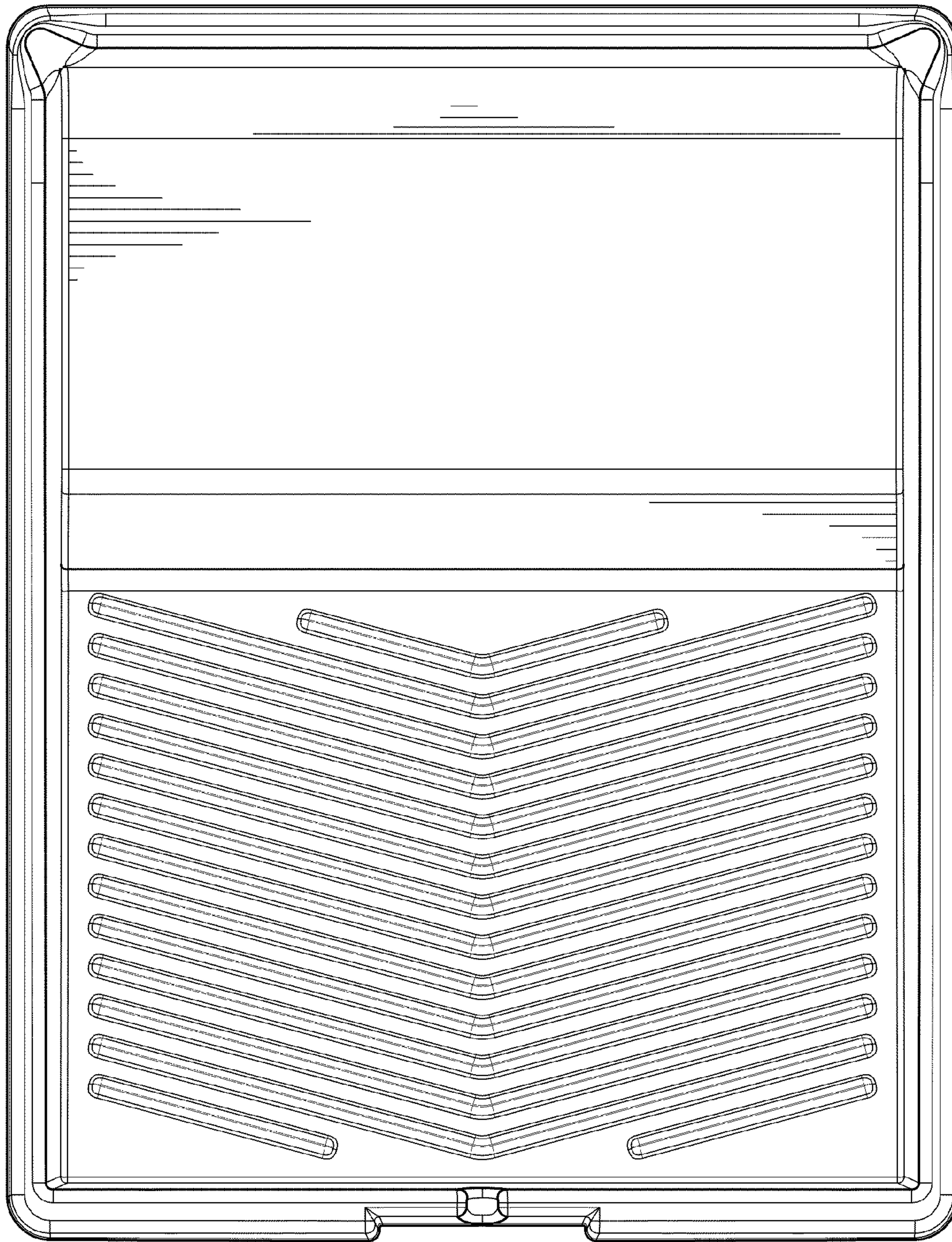


FIG. 3

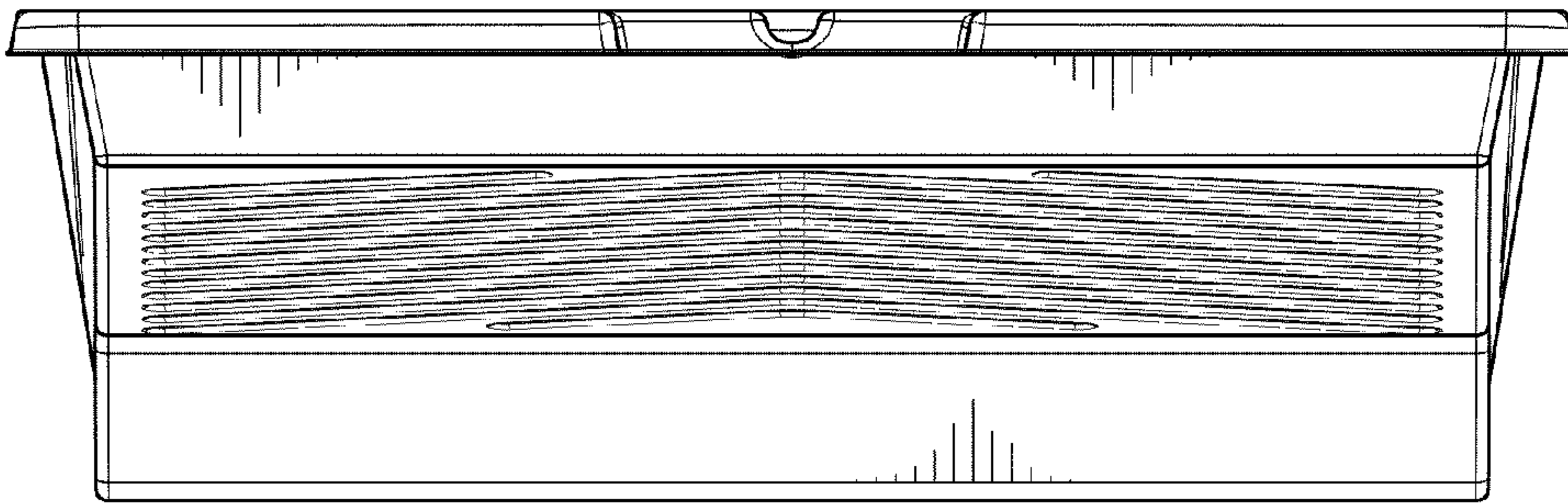


FIG. 4

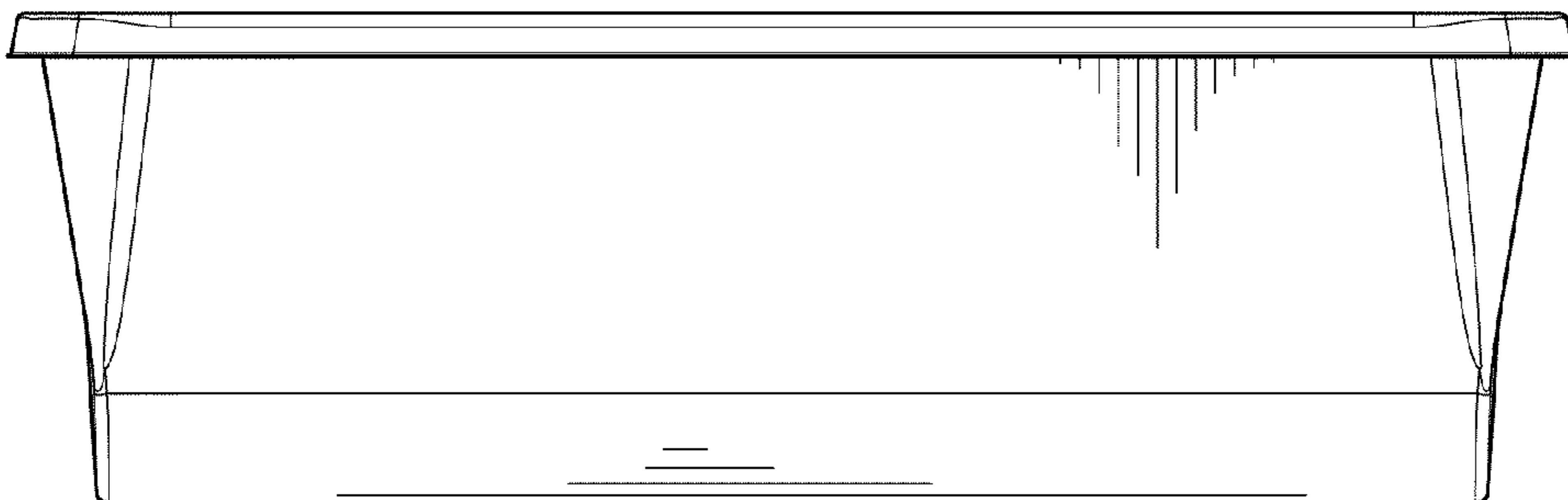


FIG. 5

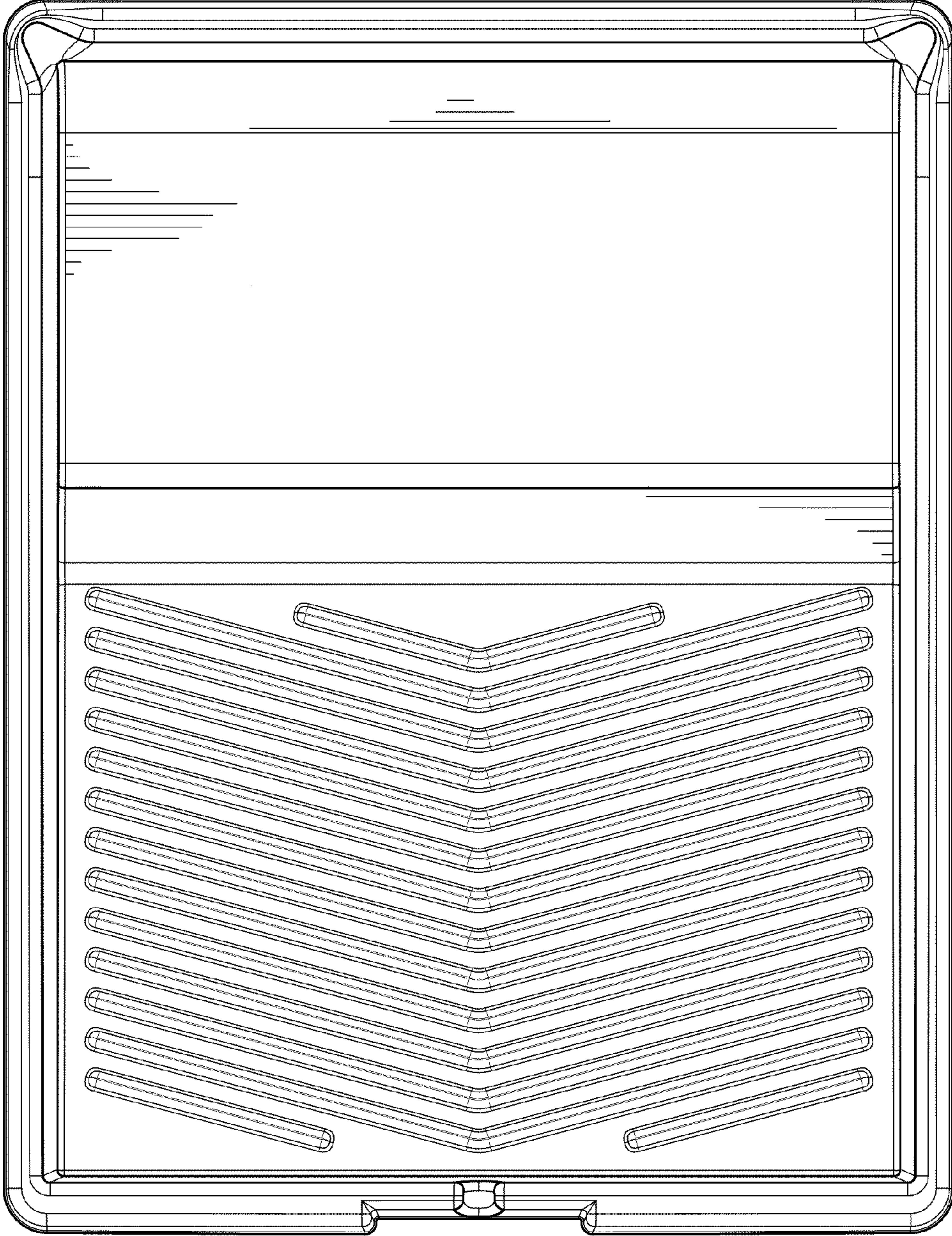


FIG. 6



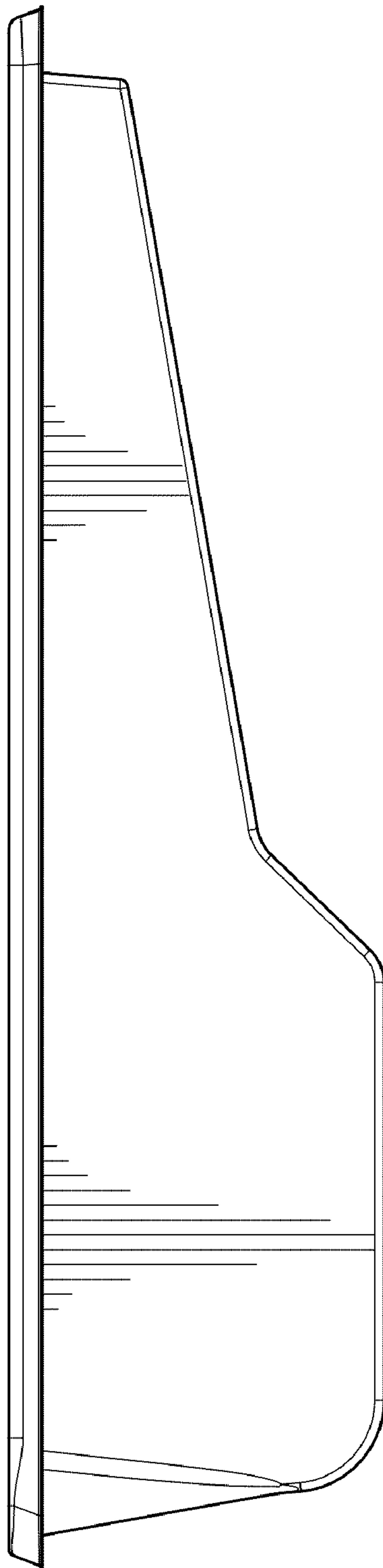


FIG. 7