



US00D627119S

(12) **United States Design Patent**
Bergman

(10) **Patent No.:** **US D627,119 S**
(45) **Date of Patent:** **** Nov. 9, 2010**

(54) **HAND-HELD CONTAINER**

FOREIGN PATENT DOCUMENTS

(75) Inventor: **Mark W. Bergman**, Minnetonka, MN (US)

GB 195523 4/1923
(Continued)

(73) Assignee: **Bercom International, LLC**, Chanhassen, MN (US)

OTHER PUBLICATIONS

Illustration (from Sporty's website showing a "Painter's Helper" ID#: 1610T) of the paint container manufactured by Aqua-Tainer Co., of Shorewood Illinois, (Published prior to Apr. 29, 2005).

(**) Term: **14 Years**

(Continued)

(21) Appl. No.: **29/345,509**

Primary Examiner—Cathron C Brooks
Assistant Examiner—Kevin K Rudzinski

(22) Filed: **Oct. 16, 2009**

(74) *Attorney, Agent, or Firm*—Westman, Champlin & Kelly, P.A.

Related U.S. Application Data

(62) Division of application No. 29/326,060, filed on Oct. 10, 2008, now Pat. No. Des. 604,471, which is a division of application No. 29/228,960, filed on Apr. 29, 2005, now Pat. No. Des. 581,118.

(57) **CLAIM**

The ornamental design for a hand-held container, as shown and described.

(51) **LOC (9) Cl.** **07-07**

(52) **U.S. Cl.** **D32/53.1**

(58) **Field of Classification Search** D32/30, D32/54, 53.1, 53; 210/232; 206/361; 220/495.02, 220/495.07, 495.08, 756, 757, 754, 570, 220/571, 571.1, 495.01, 495.05, 495.06
See application file for complete search history.

DESCRIPTION

FIG. 1 is a perspective view of the hand-held container, as viewed from the top, rear, and right side;

FIG. 2 is a top plan view of the hand-held container of FIG. 1; FIG. 3 is a front elevational view of the hand-held container of FIG. 1; and,

FIG. 4 is a bottom plan view of the hand-held container of FIG. 1.

Right and left side elevation views have been omitted because the claimed portion of the design is not visible from these views.

The broken lines in the drawings represent unclaimed portions of the handheld container and form no part thereof. Additionally, contour lines are also unclaimed, and are shown in broken lines to give an understanding of the shape of the unclaimed surface on which the claimed elements sit.

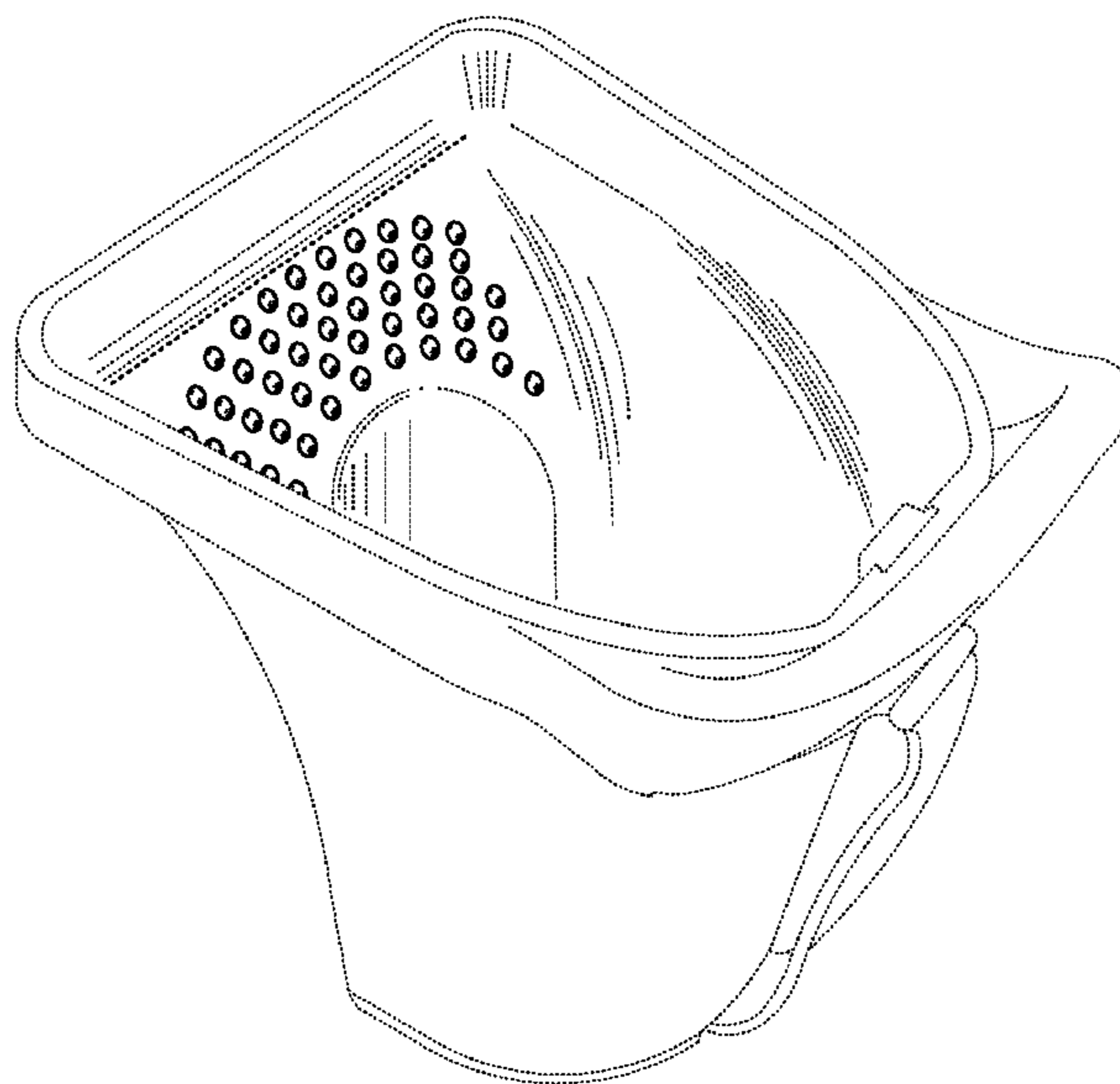
(56) **References Cited**

U.S. PATENT DOCUMENTS

1,304,415	A	5/1919	Tucker	
1,590,572	A	6/1926	Fredette	
1,734,976	A	11/1929	McClellan	
1,813,670	A *	7/1931	Kessler	220/527
1,950,505	A	3/1934	Matters	
2,228,536	A	1/1941	Scalph	

(Continued)

1 Claim, 4 Drawing Sheets



US D627,119 S

Page 2

U.S. PATENT DOCUMENTS

2,626,737 A 1/1953 Pitz
 2,661,858 A * 12/1953 Howell 15/257.06
 2,709,540 A 5/1955 Kenney
 2,712,668 A * 7/1955 Thiele 15/264
 D175,865 S 10/1955 Stone
 2,765,969 A 10/1956 Bennington
 D184,315 S 1/1959 Jennings et al.
 3,138,280 A 6/1964 Shafer
 3,139,646 A 7/1964 Vernon
 3,219,233 A 11/1965 Whiteford
 3,229,820 A 1/1966 Hentzi et al.
 3,311,252 A 3/1967 Swartwood et al.
 3,341,876 A * 9/1967 Campbell 15/1
 3,351,970 A * 11/1967 Engh 15/257.06
 3,425,012 A 1/1969 Gottinger
 D216,277 S * 12/1969 James D32/53
 3,536,285 A 10/1970 Vaughn
 3,590,416 A 7/1971 Henningsen
 3,595,431 A 7/1971 Bird
 3,602,939 A 9/1971 Schoenholz
 D223,864 S * 6/1972 Vines D32/53.1
 3,682,352 A 8/1972 Doucette
 3,729,158 A 4/1973 Nagy
 3,828,389 A 8/1974 Heisler
 3,940,824 A 3/1976 Gioia et al.
 4,061,242 A 12/1977 Donlon
 4,101,046 A 7/1978 Puntillo
 4,145,789 A * 3/1979 Morgan, Sr. 15/257.06
 4,164,299 A 8/1979 Fuhr
 D254,482 S * 3/1980 Bell D9/435
 D277,080 S 1/1985 Gagnon
 4,519,565 A 5/1985 Whitmore
 4,627,546 A 12/1986 Carranza
 4,691,840 A 9/1987 Ferbrache
 4,798,307 A * 1/1989 Evrard 220/501
 4,860,891 A 8/1989 Biggio
 4,895,269 A 1/1990 Cade
 4,927,046 A 5/1990 Armstrong
 4,928,873 A 5/1990 Johnson
 5,011,536 A 4/1991 Boom
 5,033,704 A 7/1991 Kerr
 5,083,733 A 1/1992 Marino et al.
 5,092,481 A 3/1992 Skelton
 5,147,067 A 9/1992 Effertz
 5,169,025 A 12/1992 Guo
 5,207,348 A * 5/1993 Fischer et al. 220/697
 5,222,656 A 6/1993 Carlson
 5,320,249 A 6/1994 Strech
 5,341,969 A 8/1994 Accardo et al.
 D350,632 S * 9/1994 Cummins D32/53
 D353,697 S 12/1994 Breen et al.
 5,400,916 A 3/1995 Weber
 5,429,262 A 7/1995 Sharkey
 5,493,751 A 2/1996 Misiukowiec et al.
 5,511,279 A 4/1996 Ippolito

5,549,216 A 8/1996 Scholl
 5,570,807 A 11/1996 Busch
 5,624,093 A 4/1997 Gemmell
 5,641,087 A 6/1997 Moffitt
 5,746,346 A 5/1998 Crilly
 D397,833 S 9/1998 Adams Zurawin
 5,810,196 A 9/1998 Lundy
 RE35,933 E 10/1998 Scholl
 D401,116 S 11/1998 Demore
 5,836,469 A 11/1998 Zebrowski
 5,971,201 A 10/1999 Daw
 D422,450 S 4/2000 Conti
 6,065,633 A 5/2000 Abbey
 6,119,303 A 9/2000 Passafiume
 6,138,963 A 10/2000 Malvasio
 D435,728 S 1/2001 Miles et al.
 D444,929 S 7/2001 Cox
 6,260,730 B1 7/2001 Fellman
 6,276,554 B1 * 8/2001 Lallement et al. 220/570
 D452,130 S 12/2001 Richardson
 D458,723 S 6/2002 Malvasio
 D460,845 S 7/2002 Bergman
 6,419,106 B1 7/2002 Bebak
 6,449,829 B1 9/2002 Malvasio et al.
 D466,407 S 12/2002 Nance
 D466,787 S 12/2002 Clancy
 D467,784 S 12/2002 Maier
 D482,274 S 11/2003 Walsh et al.
 D482,830 S 11/2003 Kohn
 6,708,838 B2 3/2004 Bergman et al.
 D493,035 S 7/2004 Bergman
 D499,027 S 11/2004 Walsh et al.
 D509,420 S 9/2005 Hauber
 6,991,829 B2 1/2006 Bergman
 D518,263 S * 3/2006 Verhaar D32/53.1
 D535,794 S * 1/2007 Lundy et al. D32/53.1
 D546,160 S 7/2007 Reithmeyer
 D548,913 S * 8/2007 Van Ledingham, Jr. D32/53
 D549,913 S * 8/2007 Bergman D32/53
 2002/0036206 A1 3/2002 Bergman et al.
 2002/0056714 A1 5/2002 Schinkel
 2004/0118861 A1 6/2004 Bergman et al.
 2004/0173622 A1 9/2004 Findleton
 2004/0195248 A1 10/2004 Garcia
 2004/0206761 A1 10/2004 Frantz
 2004/0208083 A1 10/2004 Armendariz et al.
 2004/0256335 A1 12/2004 Sholem

FOREIGN PATENT DOCUMENTS

JP 10 287339 10/1998

OTHER PUBLICATIONS

Fourteen (14) photos of a pail known to the public prior to Apr. 29, 2004 (14 pages).

* cited by examiner

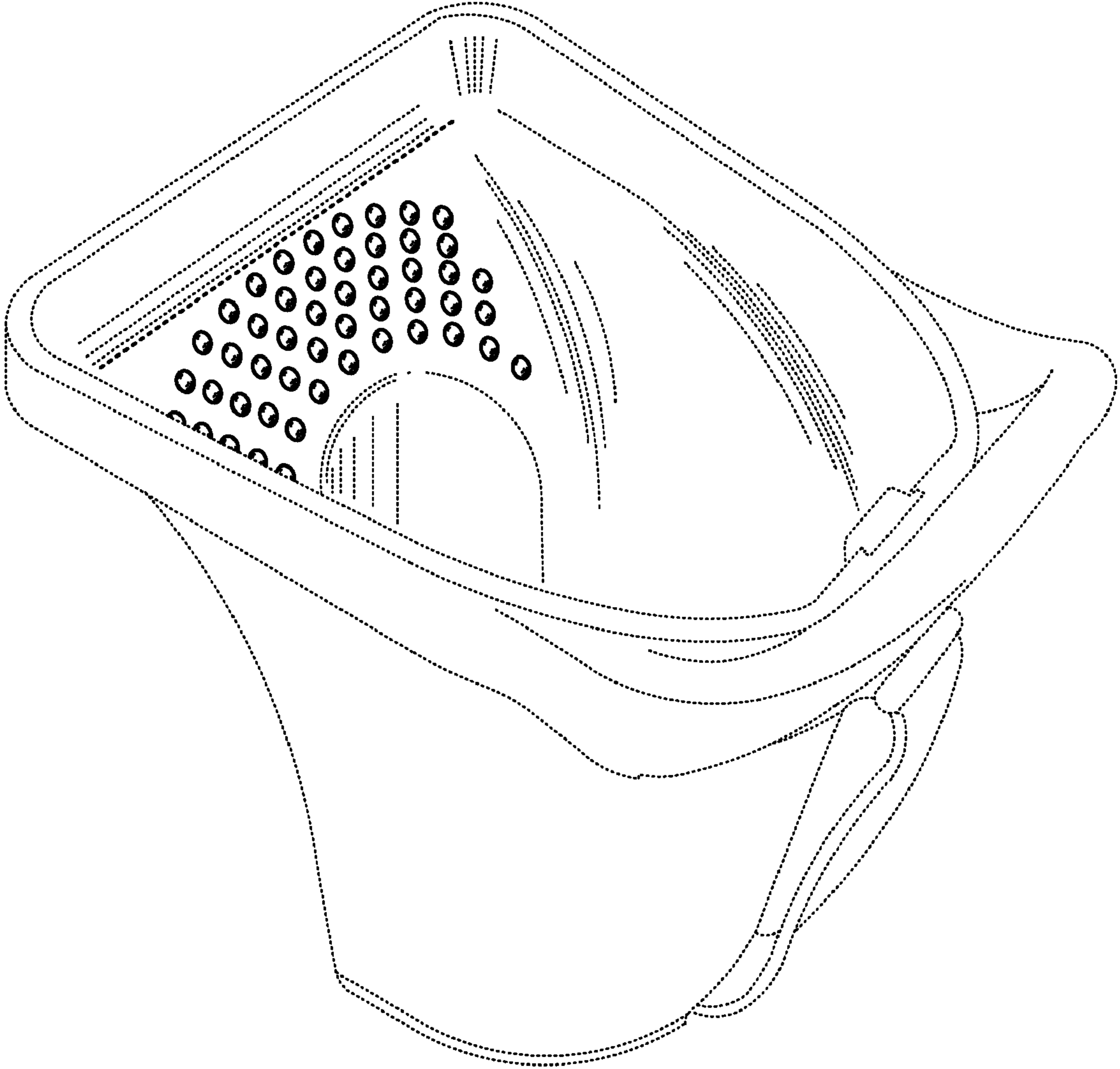


Fig. 1

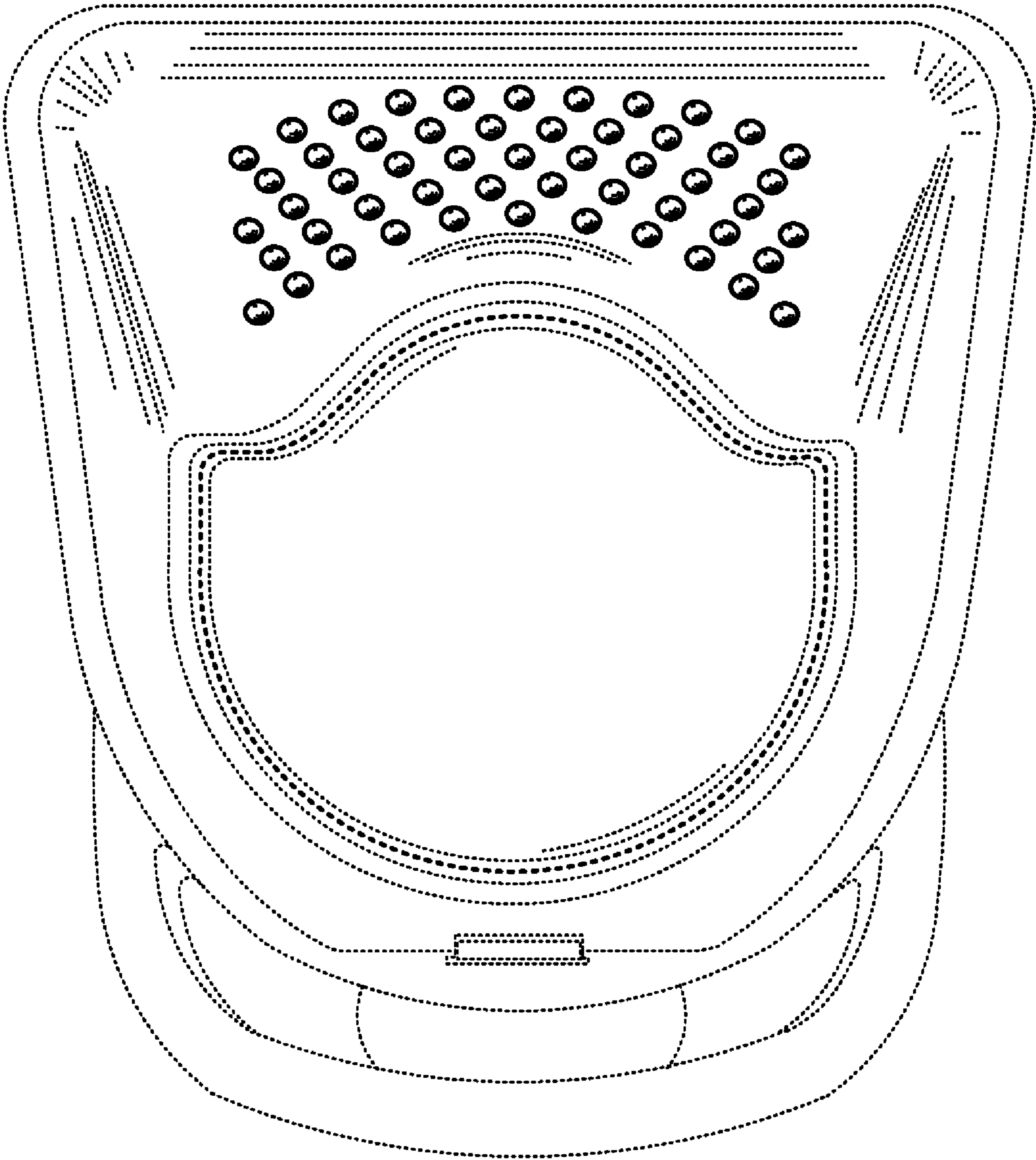


Fig. 2

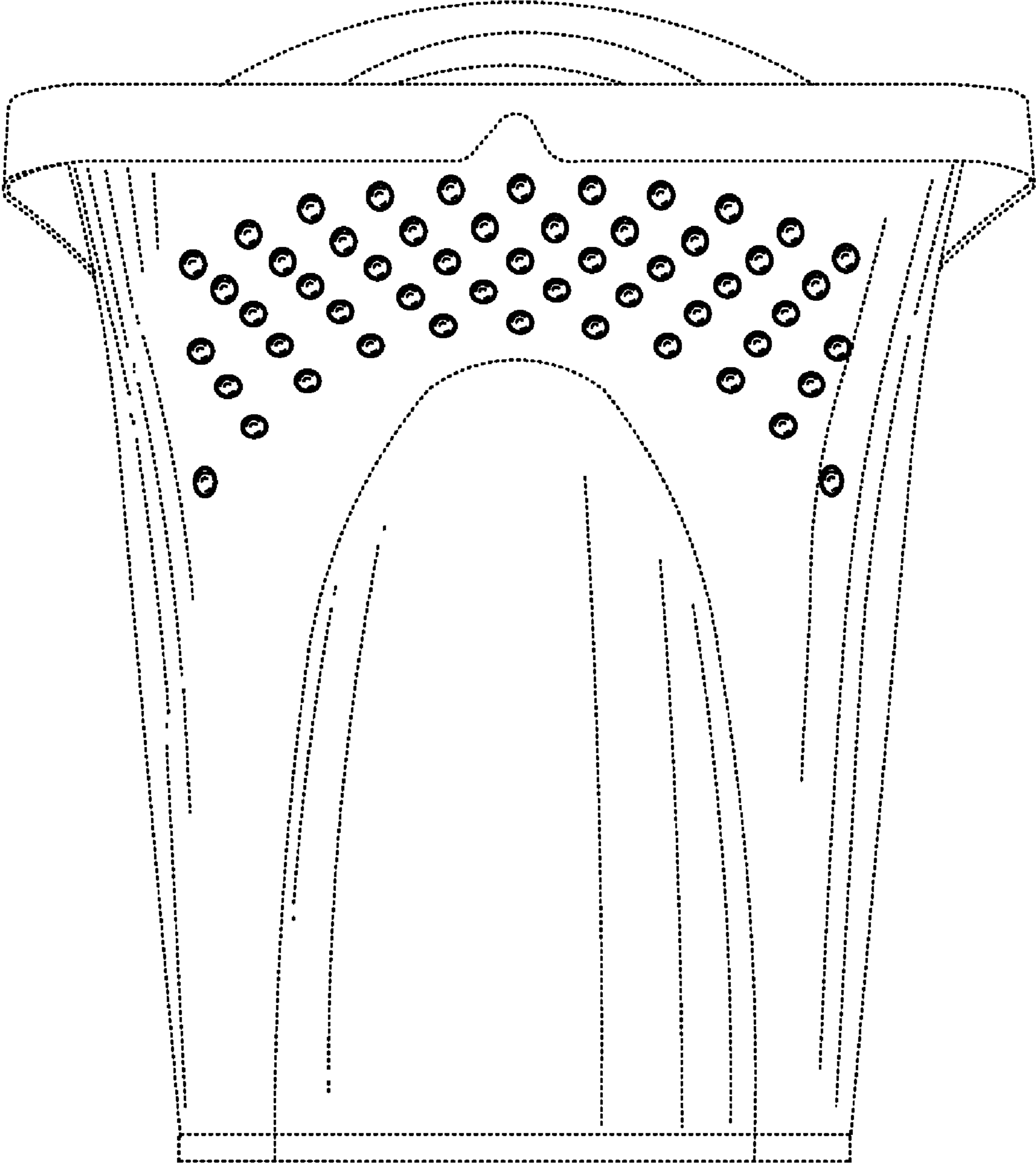


Fig. 3

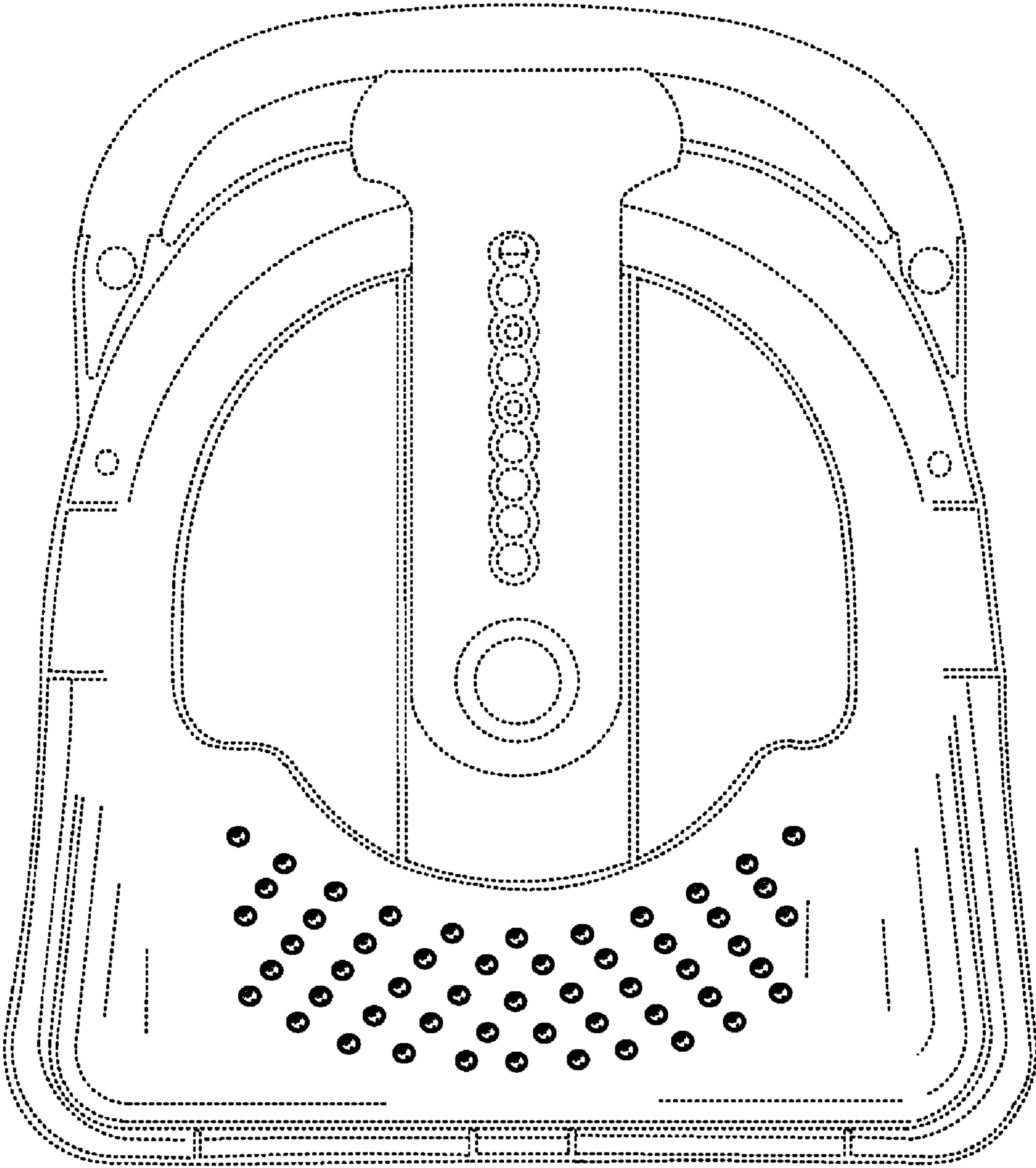


Fig. 4

UNITED STATES PATENT AND TRADEMARK OFFICE
Certificate

Patent No. D. 627,119 S

Patented: November 9, 2010

On petition requesting issuance of a certificate for correction of inventorship pursuant to 35 U.S.C. 256, it has been found that the above identified patent, through error and without any deceptive intent, improperly sets forth the inventorship.

Accordingly, it is hereby certified that the correct inventorship of this patent is: Mark W. Bergman, Minnetonka, MN (US); Matthew V. Leyden, St. Paul, MN (US); and Jeffrey B. Waffensmith, North Oaks, MN (US).

Signed and Sealed this Second Day of July 2013.

CATHRON BROOKS
Supervisory Patent Examiner
Art Unit 2911
Technology Center 2900