



US00D627111S

(12) **United States Design Patent**
Seliskar

(10) **Patent No.:** **US D627,111 S**
(45) **Date of Patent:** **** Nov. 9, 2010**

(54) **CAT SCRATCHER**

(75) Inventor: **Carolyn Jill Seliskar**, 114 Mount Zion Loop, Morrilton, AR (US) 72110

(73) Assignee: **Carolyn Jill Seliskar**, Morrilton, AR (US)

(**) Term: **14 Years**

(21) Appl. No.: **29/332,681**

(22) Filed: **Feb. 23, 2009**

(51) **LOC (9) Cl.** **30-99**

(52) **U.S. Cl.** **D30/160; D6/349**

(58) **Field of Classification Search** 119/702, 119/706-711, 28.5; D30/118-119, 160; D21/405-407, 465, 467, 474-476; D24/194; 446/227; D6/349, 382, 388, 597-598, 601
See application file for complete search history.

(56) **References Cited**

U.S. PATENT DOCUMENTS

D109,796 S *	5/1938	Brenner	D6/349
D194,841 S *	3/1963	Ridder et al.	D6/349
D237,764 S *	11/1975	Prevost	D6/334
4,027,888 A *	6/1977	Wilcox	D6/601
D269,821 S *	7/1983	Hurley	D30/160
D334,107 S *	3/1993	Johnson	D6/601
D334,637 S *	4/1993	Mitchell	D30/160
D353,173 S *	12/1994	Almeda	D6/601

D372,805 S *	8/1996	Bonaddio et al.	D6/375
5,592,901 A *	1/1997	Birmingham	119/706
5,682,633 A *	11/1997	Davis	5/636
D466,749 S *	12/2002	O'Quinn	D6/601
D501,064 S *	1/2005	Williams	D30/160
D504,244 S *	4/2005	Mourgue	D6/361
D555,299 S *	11/2007	Tsengas	D30/160
D557,464 S *	12/2007	Novak	D30/160
D582,611 S *	12/2008	Bise	D30/118
D589,657 S *	3/2009	Lamstein	D30/118
D604,018 S *	11/2009	Simpson et al.	D30/160
D610,316 S *	2/2010	Handal	D30/160
D616,160 S *	5/2010	Kellogg et al.	D30/160

* cited by examiner

Primary Examiner—Cathy Anne MacCormac

(57) **CLAIM**

The ornamental design for a cat scratcher, as shown and described.

DESCRIPTION

FIG. 1 is a perspective view of a cat scratcher showing my new design;

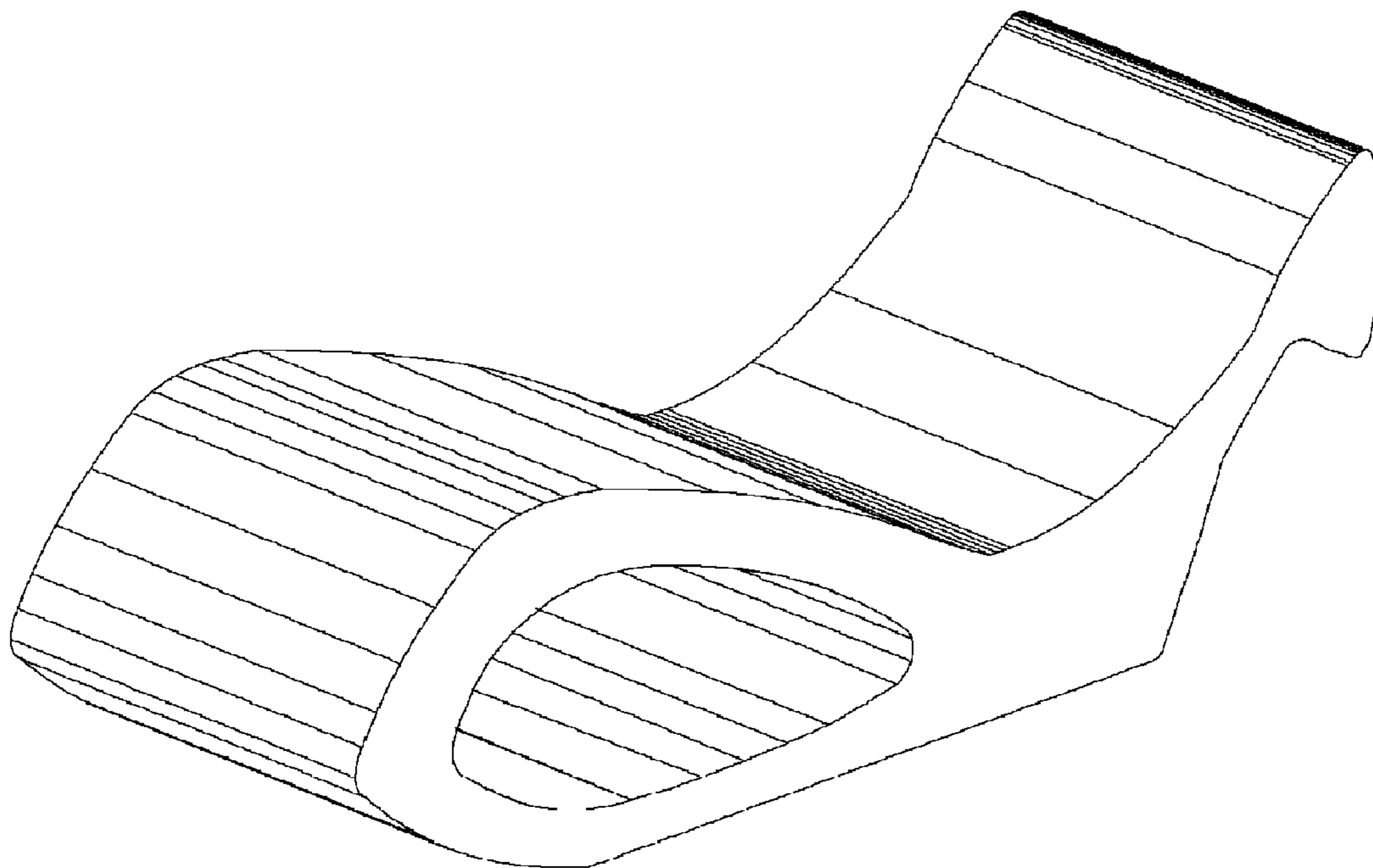
FIG. 2 is a left side elevational view thereof, a right side being a mirror image of the left side shown;

FIG. 3 is a bottom view thereof;

FIG. 4 is a top view thereof; and,

FIG. 5 is a back view thereof.

1 Claim, 3 Drawing Sheets



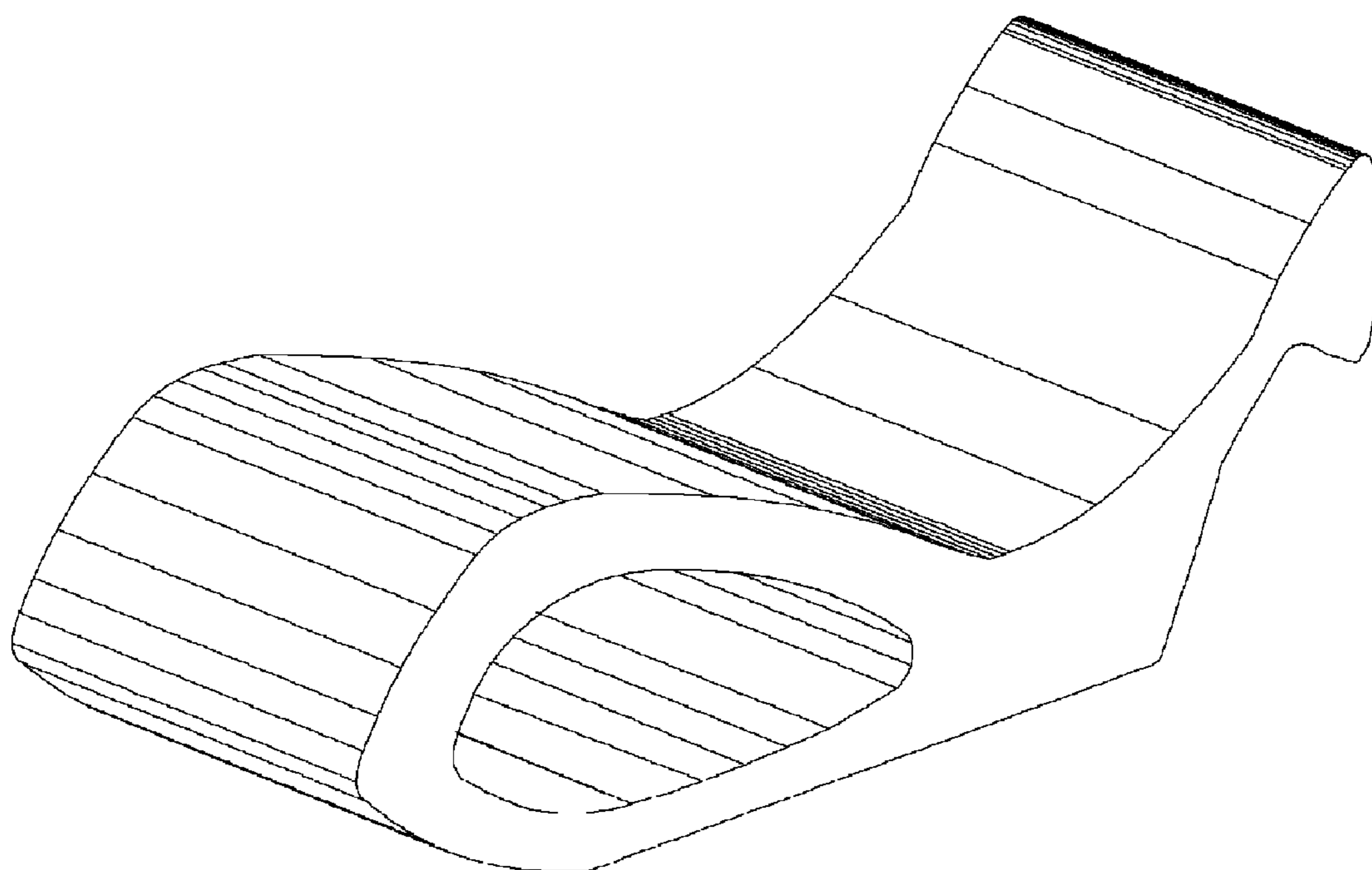


Fig. 1

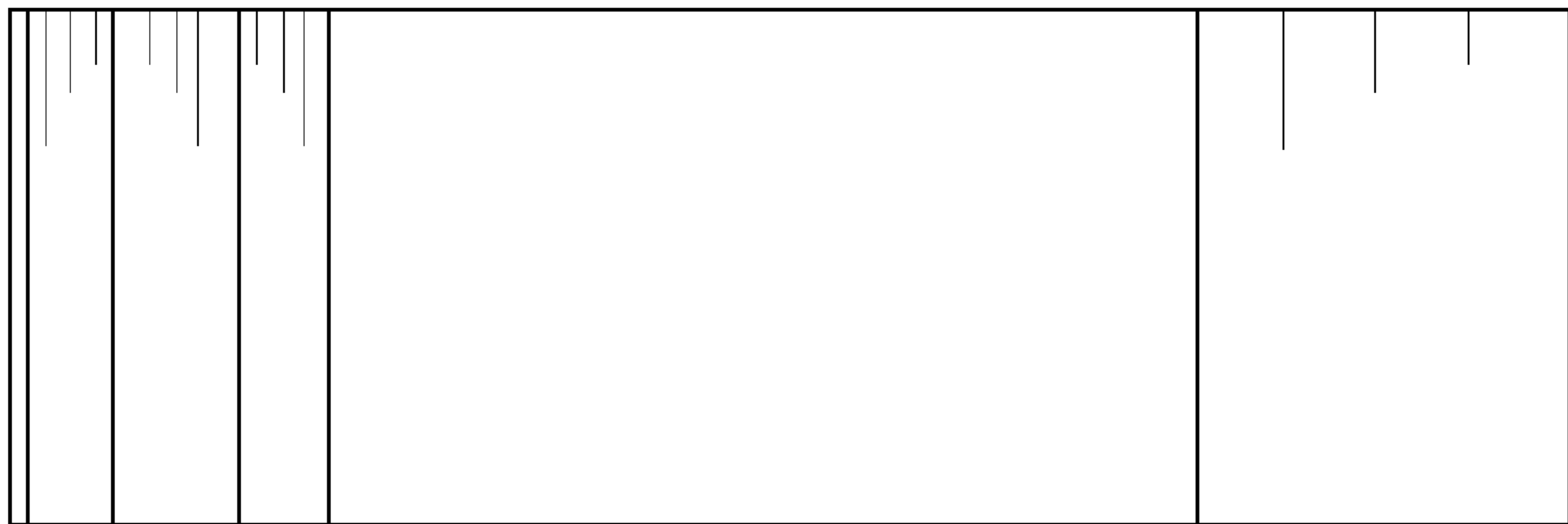
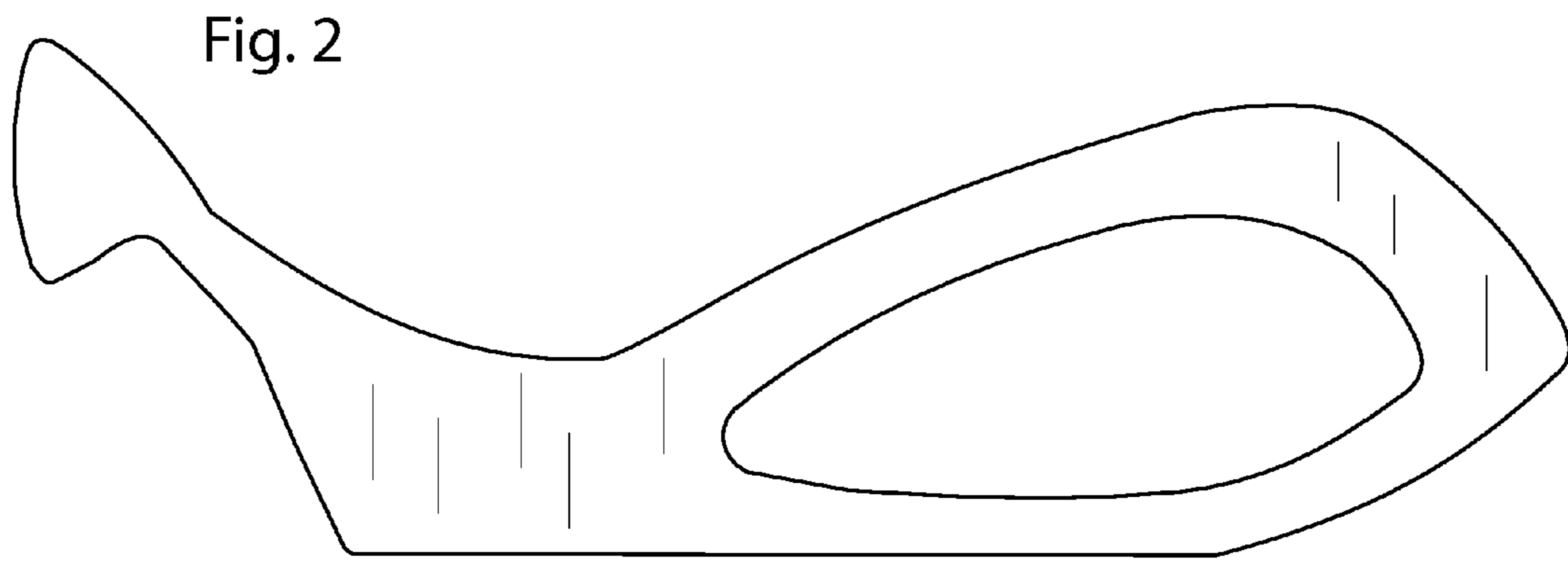


Fig. 3

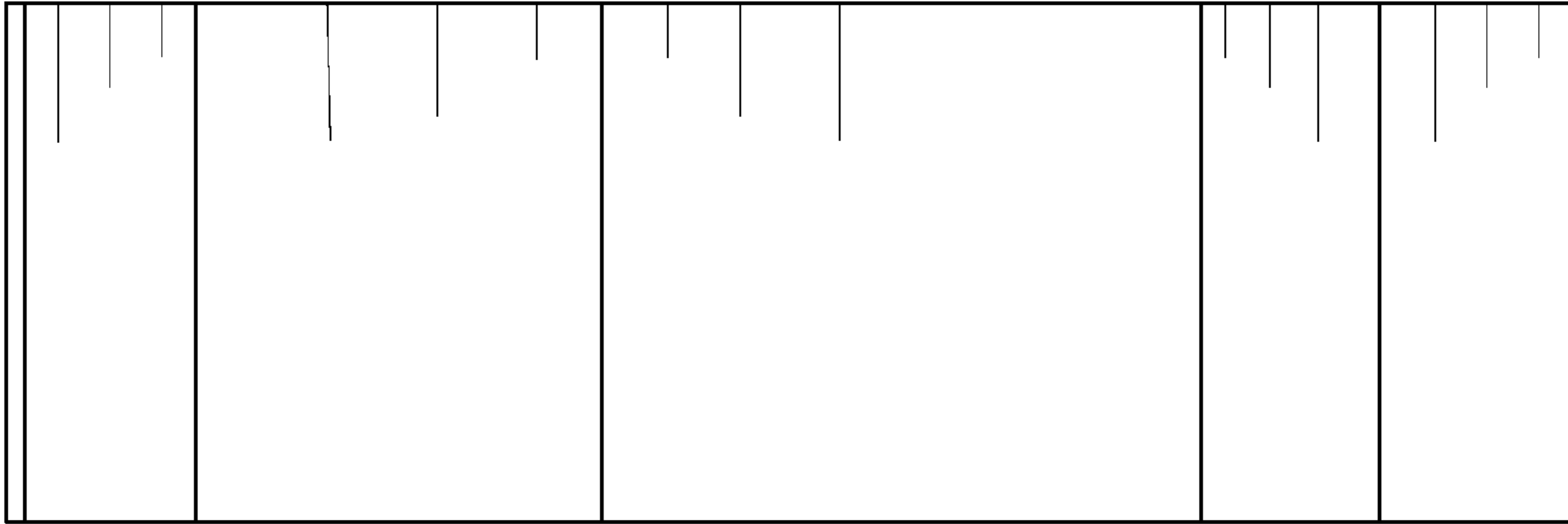


Fig. 4

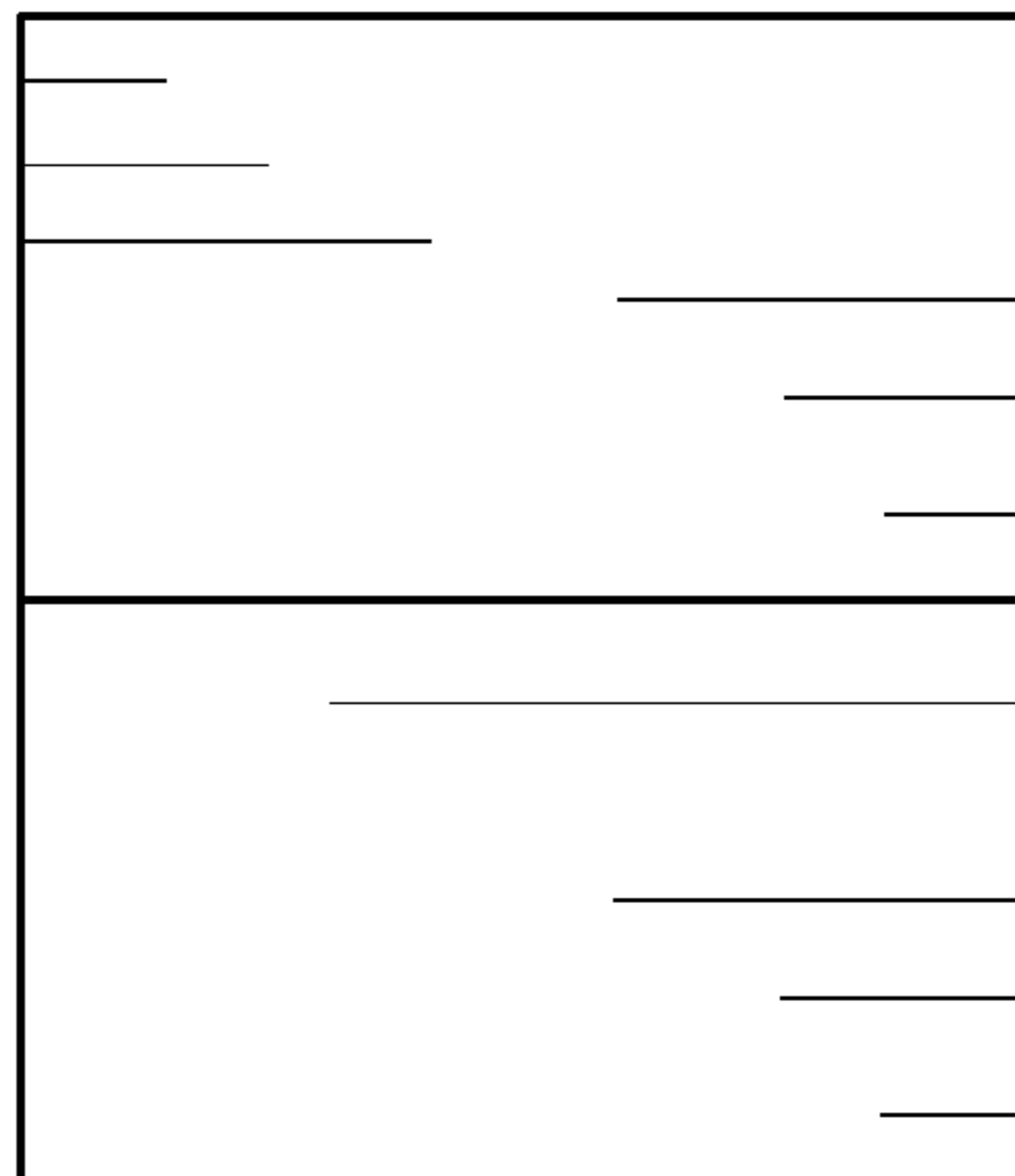


Fig. 5