



US00D627109S

(12) **United States Design Patent**  
**Man**

(10) **Patent No.:** **US D627,109 S**

(45) **Date of Patent:** **\*\* Nov. 9, 2010**

(54) **PET STAND FOR ANIMALS**

(75) Inventor: **Hang Lam Man**, Harlow (GB)

(73) Assignee: **Elite Dogstands Ltd.**, Harlow (GB)

(\*\*) Term: **14 Years**

(21) Appl. No.: **29/360,577**

(22) Filed: **Apr. 28, 2010**

**Related U.S. Application Data**

(62) Division of application No. 29/336,953, filed on May 12, 2009.

(30) **Foreign Application Priority Data**

Nov. 24, 2008 (EM) ..... 1044804

(51) **LOC (9) Cl.** ..... **30-03**

(52) **U.S. Cl.** ..... **D30/133; D30/130**

(58) **Field of Classification Search** ..... D30/133,  
D30/121, 128, 130, 132; 119/52.1, 55, 61.5-61.56;  
D6/480-488, 495-499, 429, 422; 248/188;  
312/204; 108/153.1-157; D11/130.1  
See application file for complete search history.

(56) **References Cited**

**U.S. PATENT DOCUMENTS**

3,995,595	A *	12/1976	Williams	.....	119/61.53
D249,605	S *	9/1978	Skermetta	.....	D6/539
D273,549	S *	4/1984	Petitt	.....	D6/498
D292,446	S *	10/1987	Gilbert	.....	D3/238
D294,748	S *	3/1988	Dobelle	.....	D30/109
4,763,604	A *	8/1988	Meekins	.....	119/28.5
D298,671	S *	11/1988	Simerson	.....	D30/130
D300,068	S *	2/1989	Pritikin et al.	.....	D30/129
D331,340	S *	12/1992	Lossing	.....	D6/487
D333,058	S *	2/1993	Diffrient	.....	D6/498
D361,874	S *	8/1995	Keller et al.	.....	D30/129
D401,761	S *	12/1998	Sandmann et al.	.....	D3/238
D409,419	S *	5/1999	Wilkinson	.....	D6/486

(Continued)

*Primary Examiner*—Susan Moon Lee

(74) *Attorney, Agent, or Firm*—Thomas, Kayden, Horstemeyer & Risley, LLP; Todd Deveau

(57) **CLAIM**

The ornamental design for pet stand for animals, as shown and described.

**DESCRIPTION**

FIG. 1 is an overall perspective view from above of one embodiment of my pet stand for animals;

FIG. 2 is a top plan view of my new pet stand for animals of FIG. 1;

FIG. 3 is a front elevational view of my new pet stand for animals of FIG. 1;

FIG. 4 is a side elevational view of my new pet stand for animals of FIG. 1;

FIG. 5 is a bottom plan view of my new pet stand for animals of FIG. 1;

FIG. 6 is a perspective view from below of my new pet stand for animals of FIG. 1;

FIG. 7 is an overall perspective view from above of an alternate embodiment of my new pet stand for animals of FIG. 1;

FIG. 8 is a top plan view of my new pet stand for animals of FIG. 7;

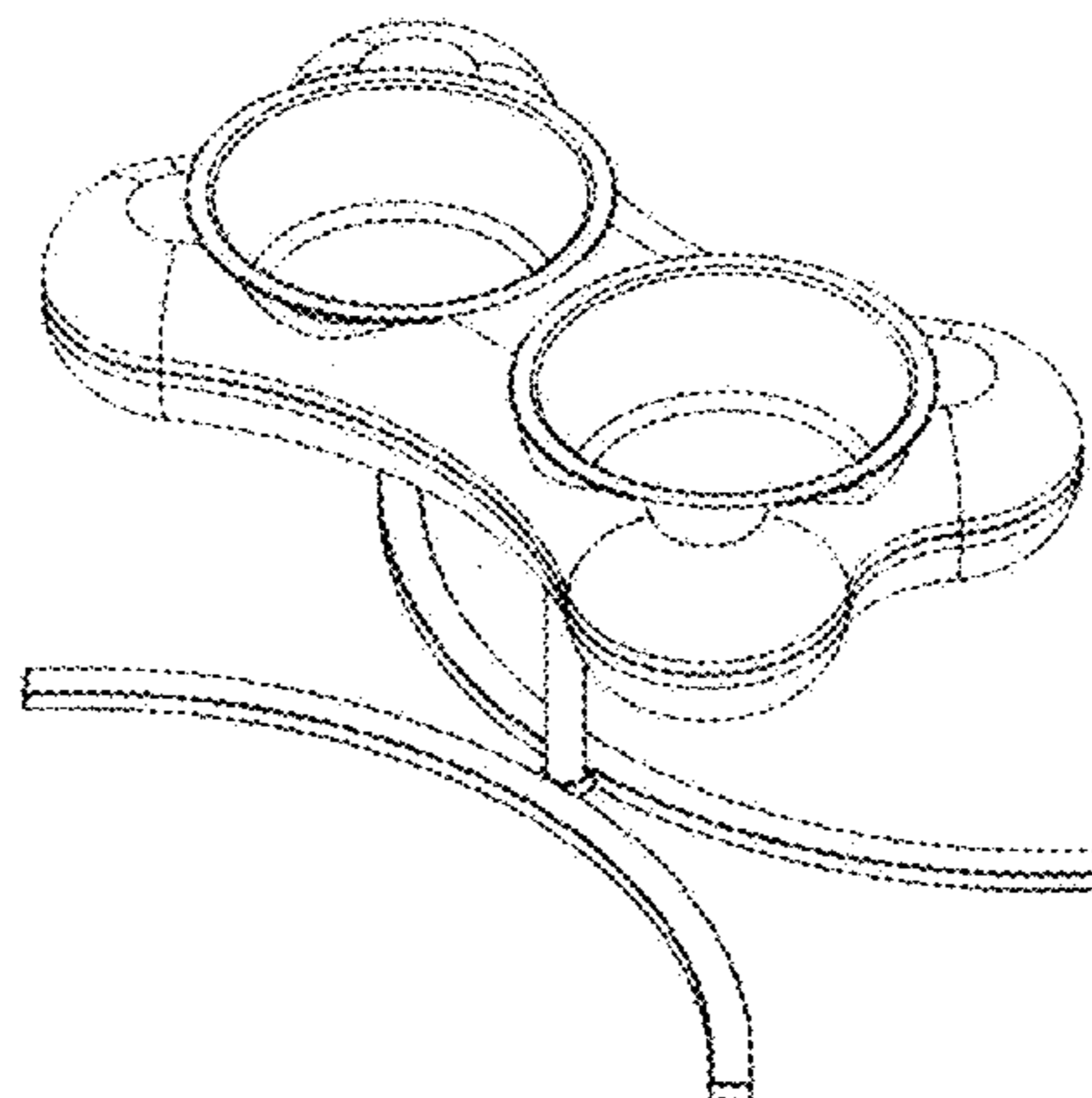
FIG. 9 is a front elevational view of my new pet stand for animals of FIG. 7;

FIG. 10 is a side elevational view of my new pet stand for animals of FIG. 7;

FIG. 11 is a bottom plan view of my new pet stand for animals of FIG. 7; and,

FIG. 12 is a perspective view from below of my new pet stand for animals of FIG. 7.

**1 Claim, 12 Drawing Sheets**



# US D627,109 S

Page 2

## U.S. PATENT DOCUMENTS

D424,281	S *	5/2000	Jebber et al. ....	D2/869	D529,279	S *	10/2006	Parks .....	D3/203.3
6,209,487	B1 *	4/2001	Quinlan et al. ....	119/51.01	D550,987	S *	9/2007	Brevda et al. ....	D6/495
6,427,626	B1 *	8/2002	Quinlan et al. ....	119/51.01	D551,400	S *	9/2007	Tsengas et al. ....	D30/133
D476,808	S *	7/2003	Carr .....	D3/271.2	D552,634	S *	10/2007	Janiszewski .....	D15/90
D481,867	S *	11/2003	Hotz .....	D3/271.2	D557,916	S *	12/2007	Dietrich .....	D6/366
D487,327	S *	3/2004	Andersen et al. ....	D1/199	D569,136	S *	5/2008	Pearsons et al. ....	D6/498
6,705,249	B2 *	3/2004	Quinlan et al. ....	119/51.01	D571,060	S *	6/2008	Addeo .....	D30/158
6,786,177	B1 *	9/2004	Lemkin .....	119/51.01	D575,967	S *	9/2008	Cuvilly .....	D6/498
D498,955	S *	11/2004	Edwards .....	D6/515	D576,358	S *	9/2008	Rutherford .....	D30/160
D499,907	S *	12/2004	Zarelius .....	D6/495	D577,466	S *	9/2008	Shamoon .....	D30/133
D512,189	S *	11/2005	Byrne .....	D30/160	D578,714	S *	10/2008	Rutherford .....	D30/160
D512,539	S *	12/2005	Brunes et al. ....	D30/130	D595,998	S *	7/2009	Hauser .....	D7/672
D516,806	S *	3/2006	Lawrence .....	D3/271.1	D597,262	S *	7/2009	Shamoon et al. ....	D30/130
D521,690	S *	5/2006	Krcek et al. ....	D30/133	D606,801	S *	12/2009	Kirk .....	D7/354
D521,782	S *	5/2006	Edwards .....	D6/518	2003/0037732	A1 *	2/2003	Quinlan et al. ....	119/51.01
					2005/0115508	A1 *	6/2005	Little .....	119/61.5

\* cited by examiner

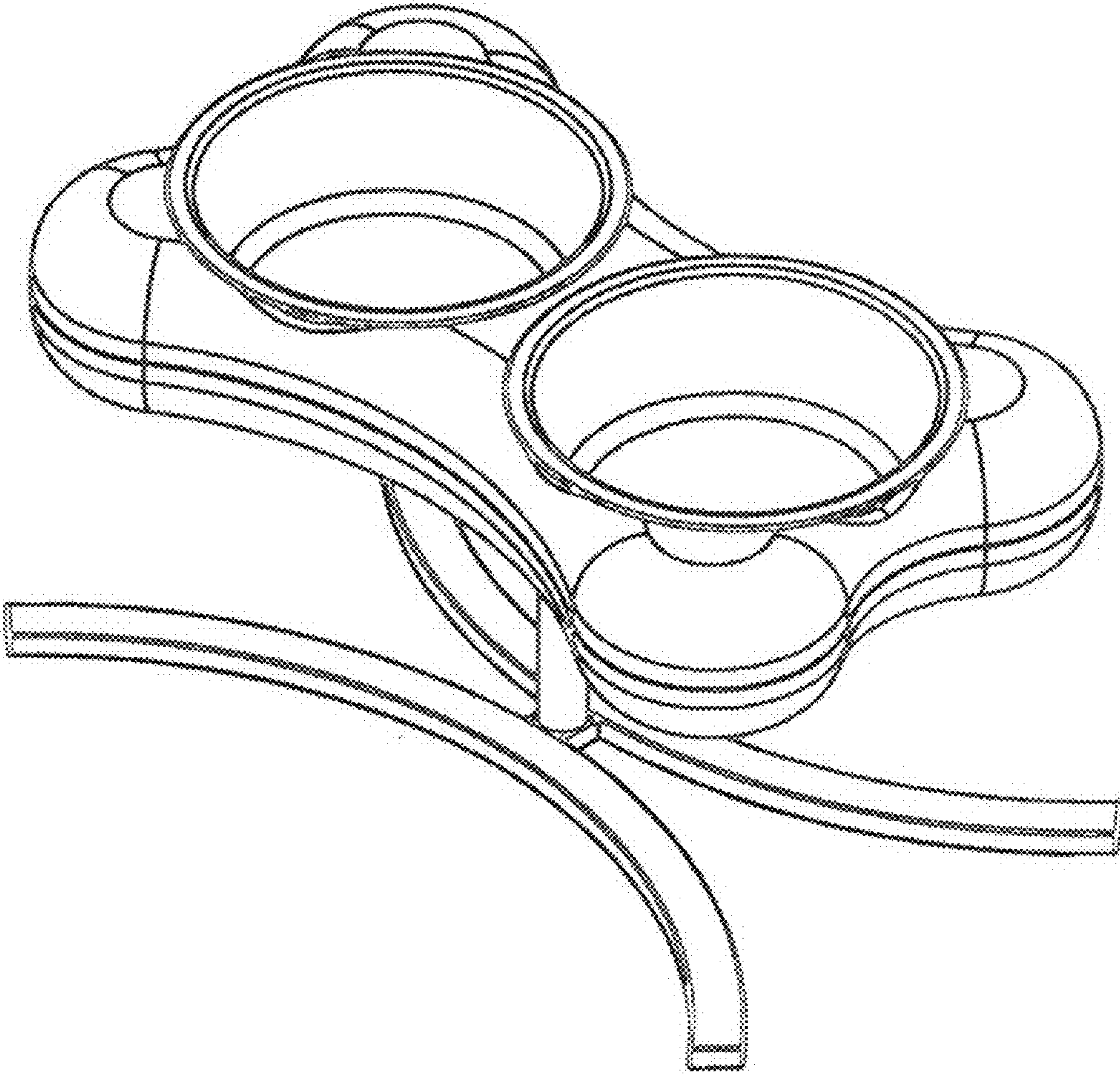


FIG. 1

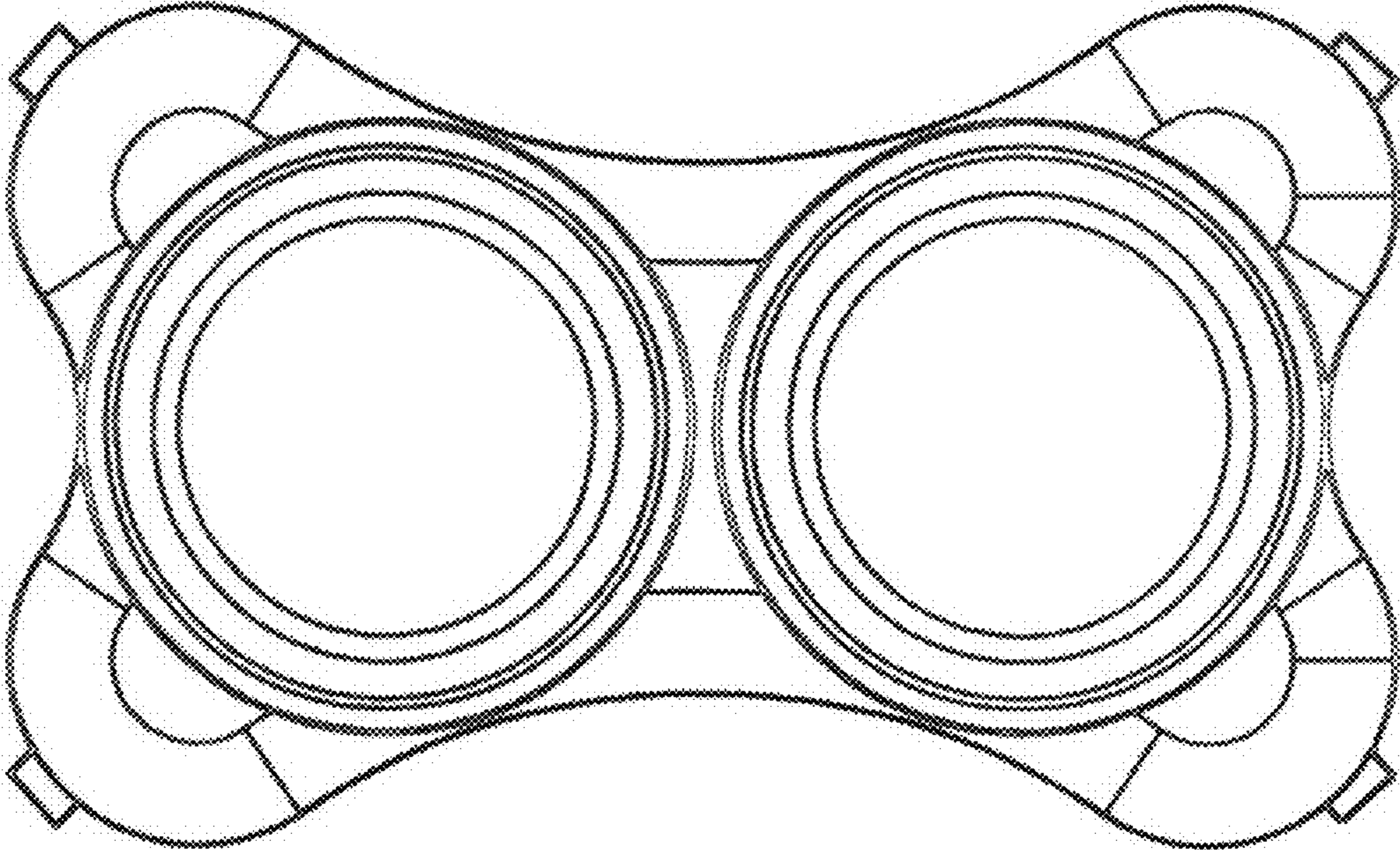


FIG. 2

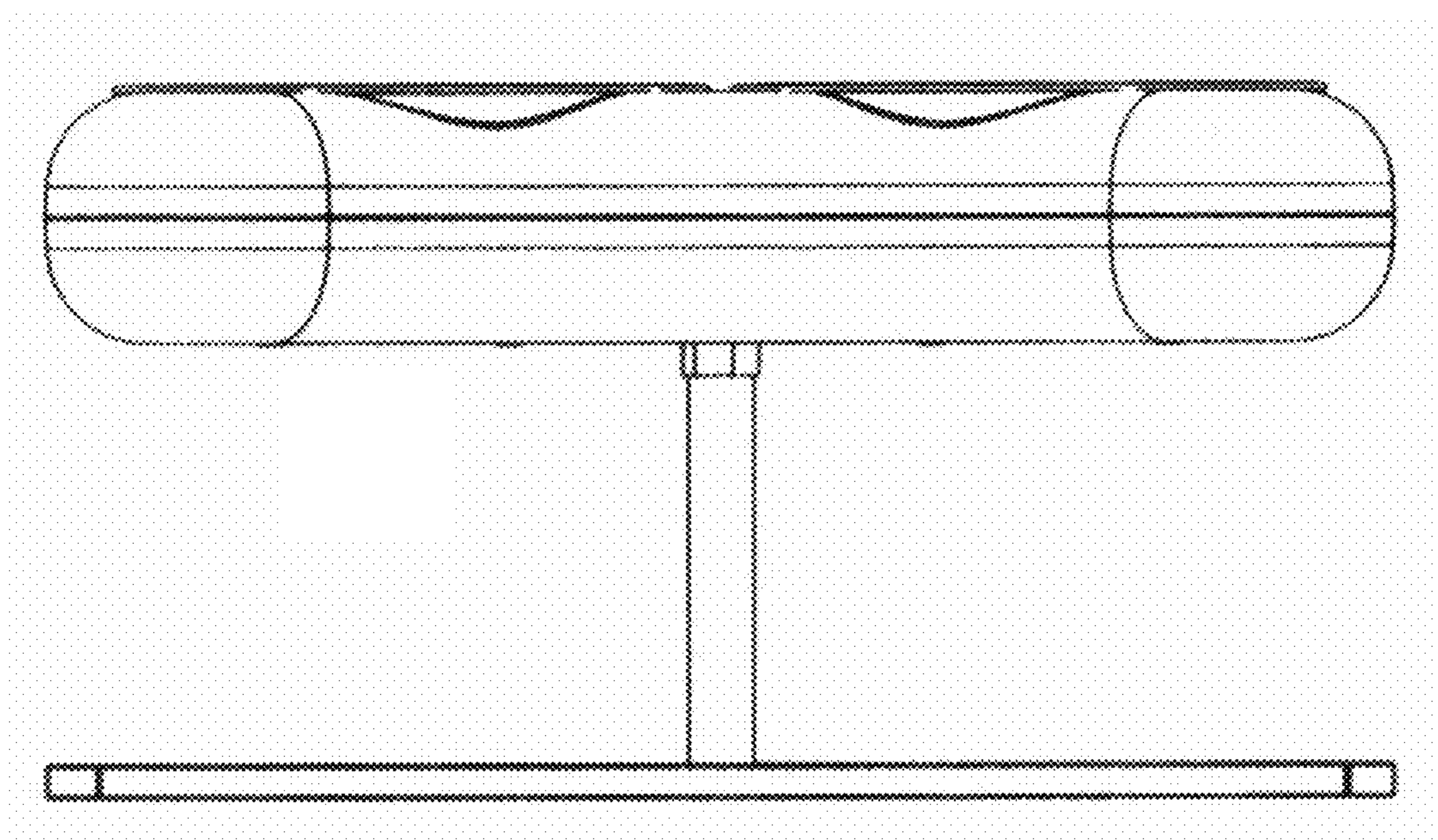


FIG. 3

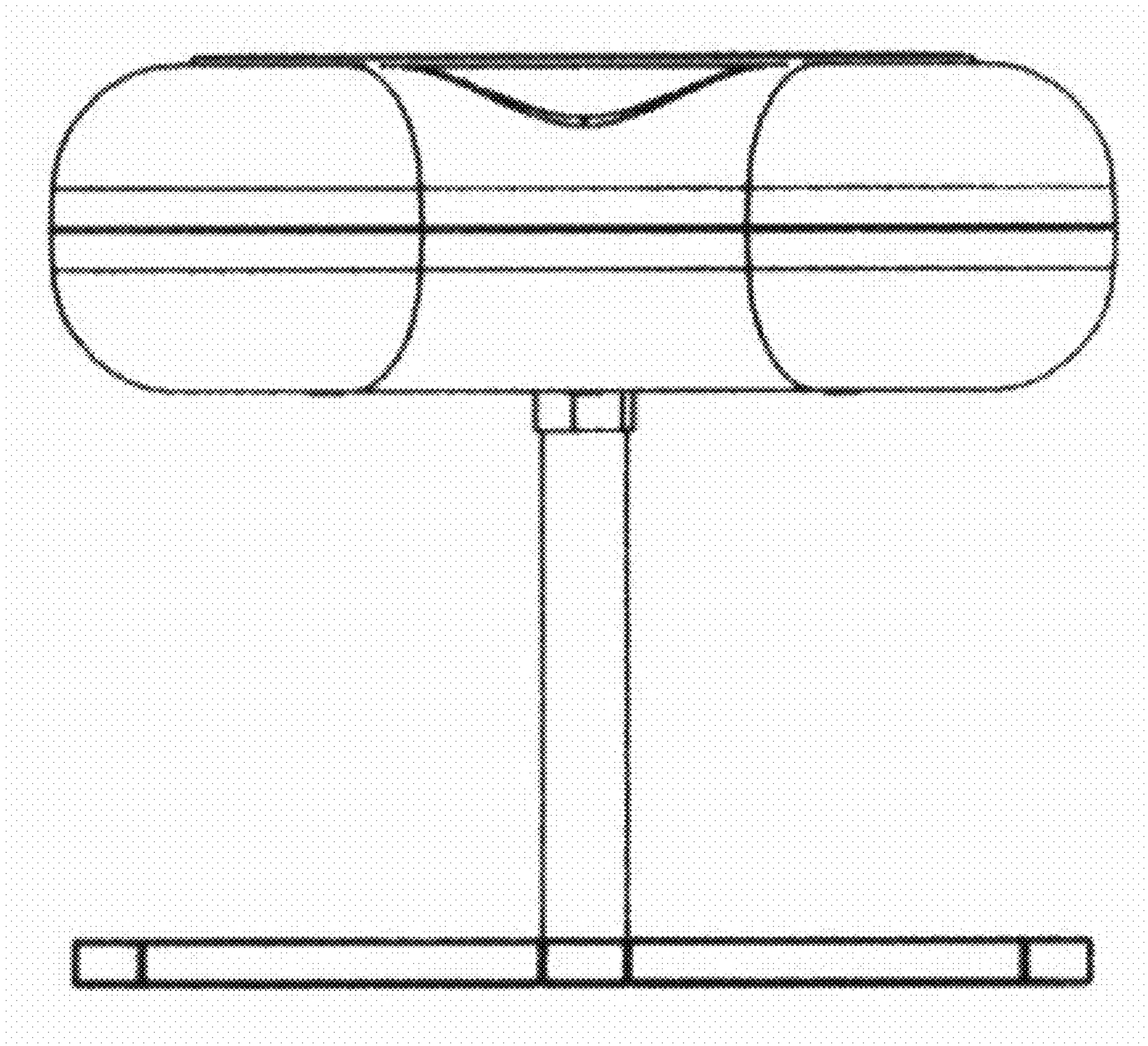


FIG. 4

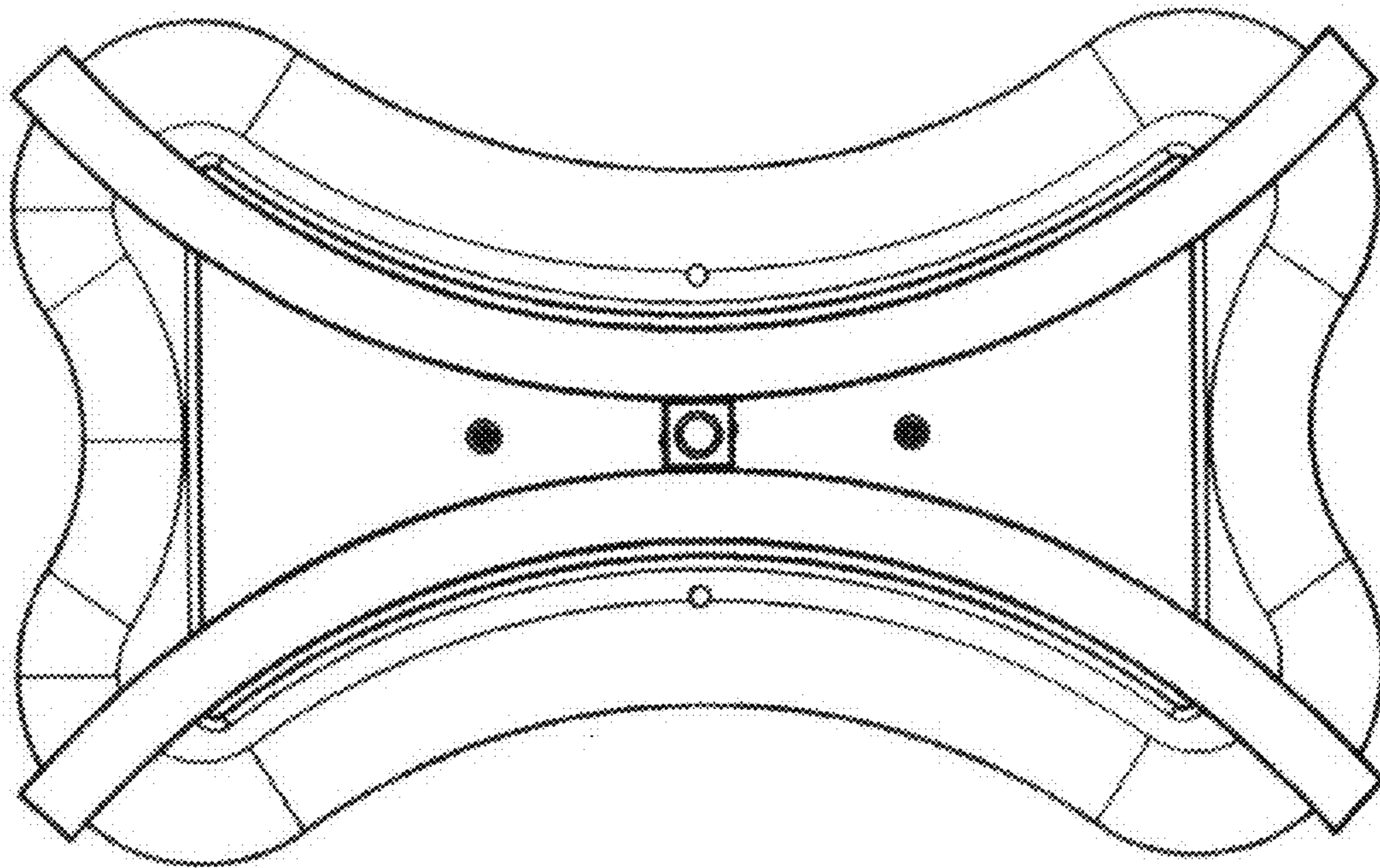


FIG. 5

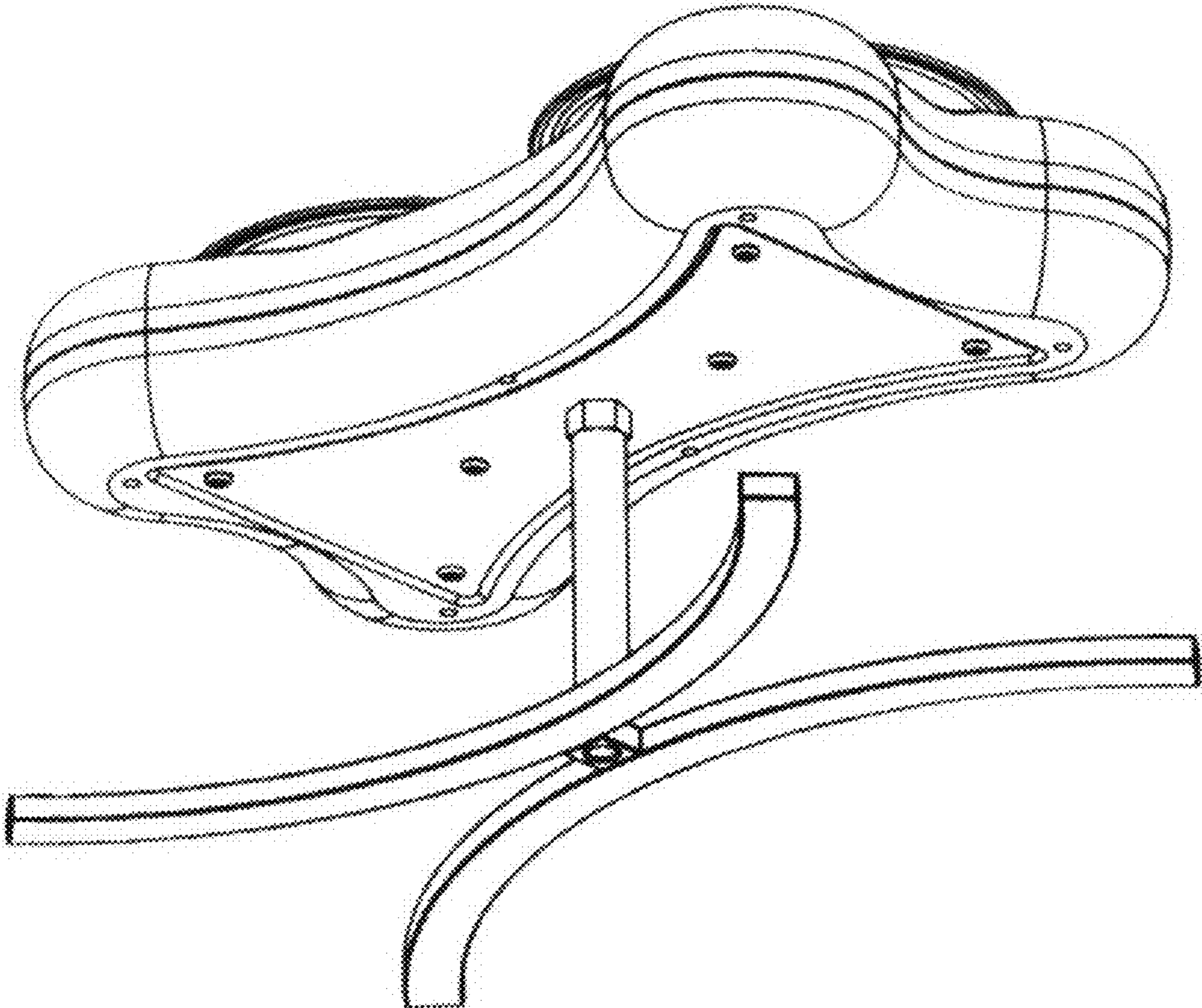


FIG. 6



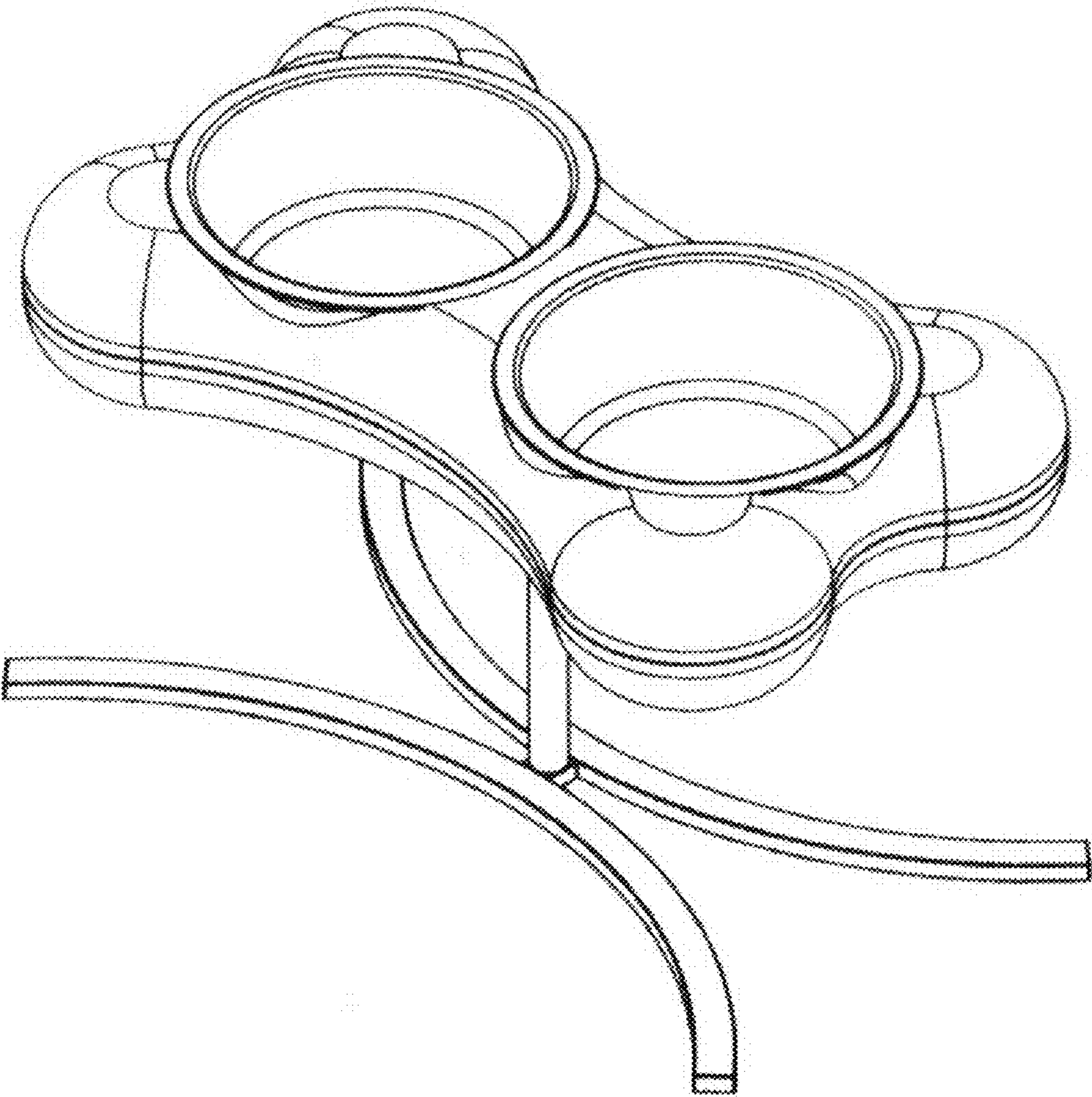


FIG. 7

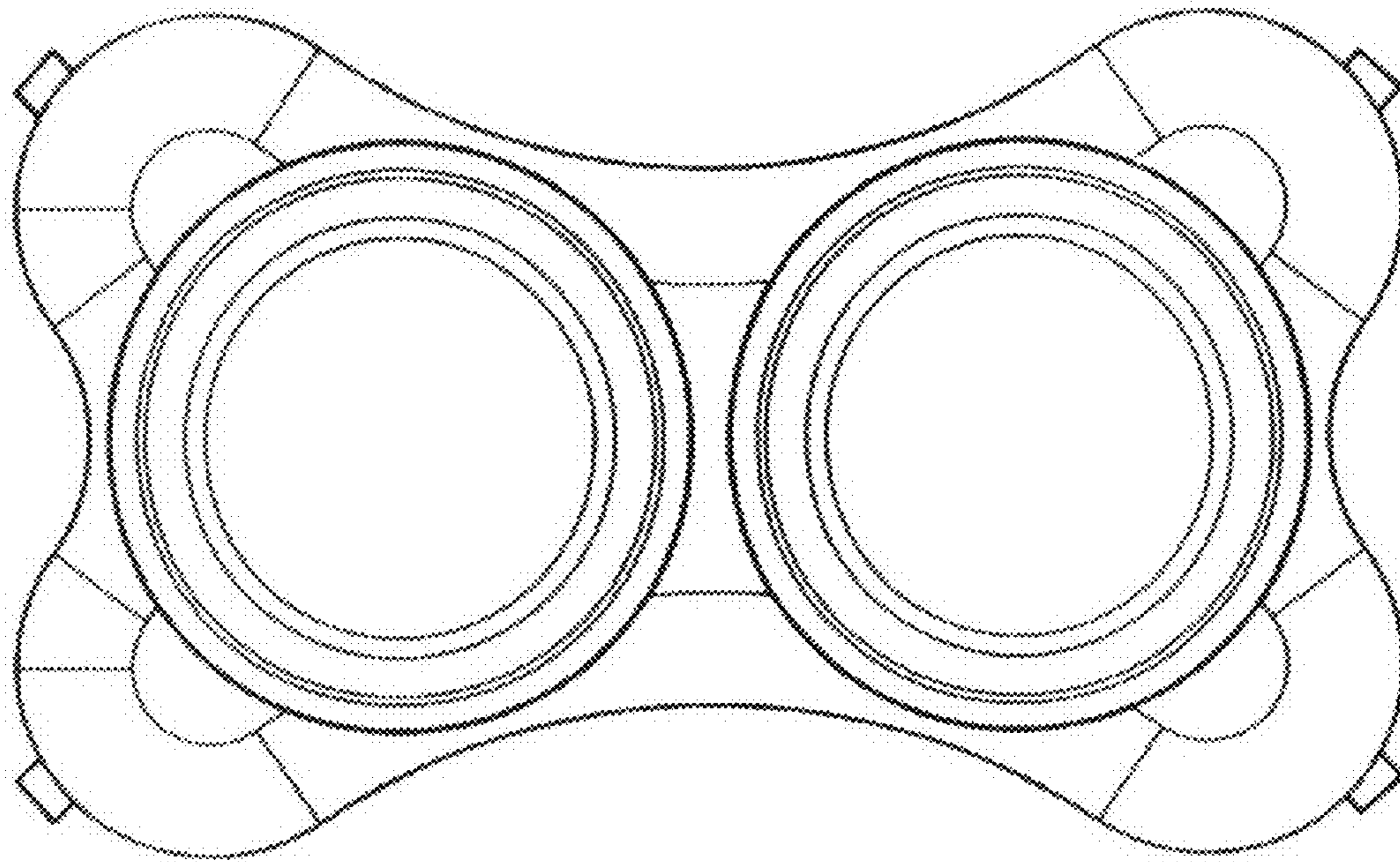


FIG. 8

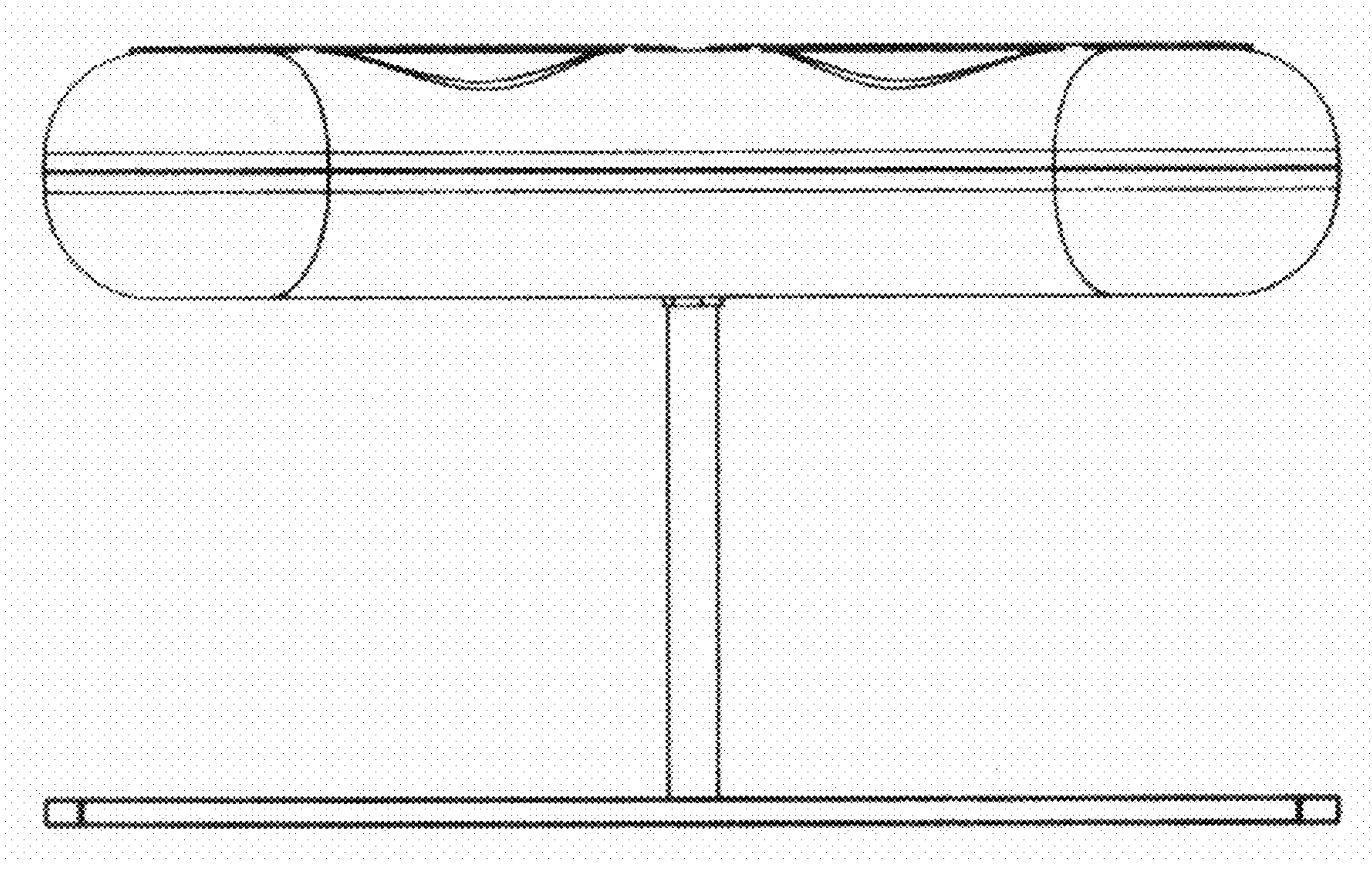


FIG. 9

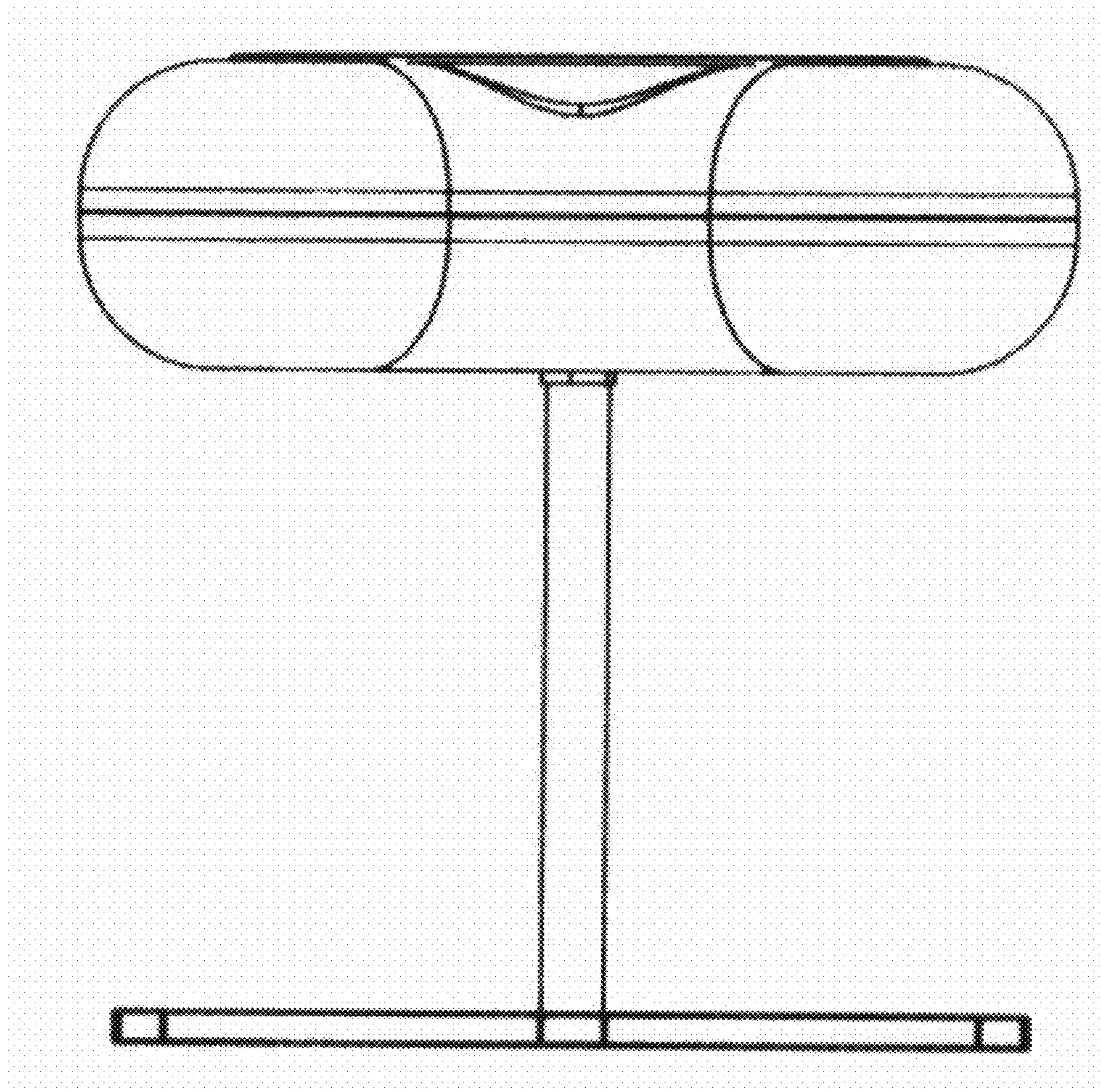


FIG. 10

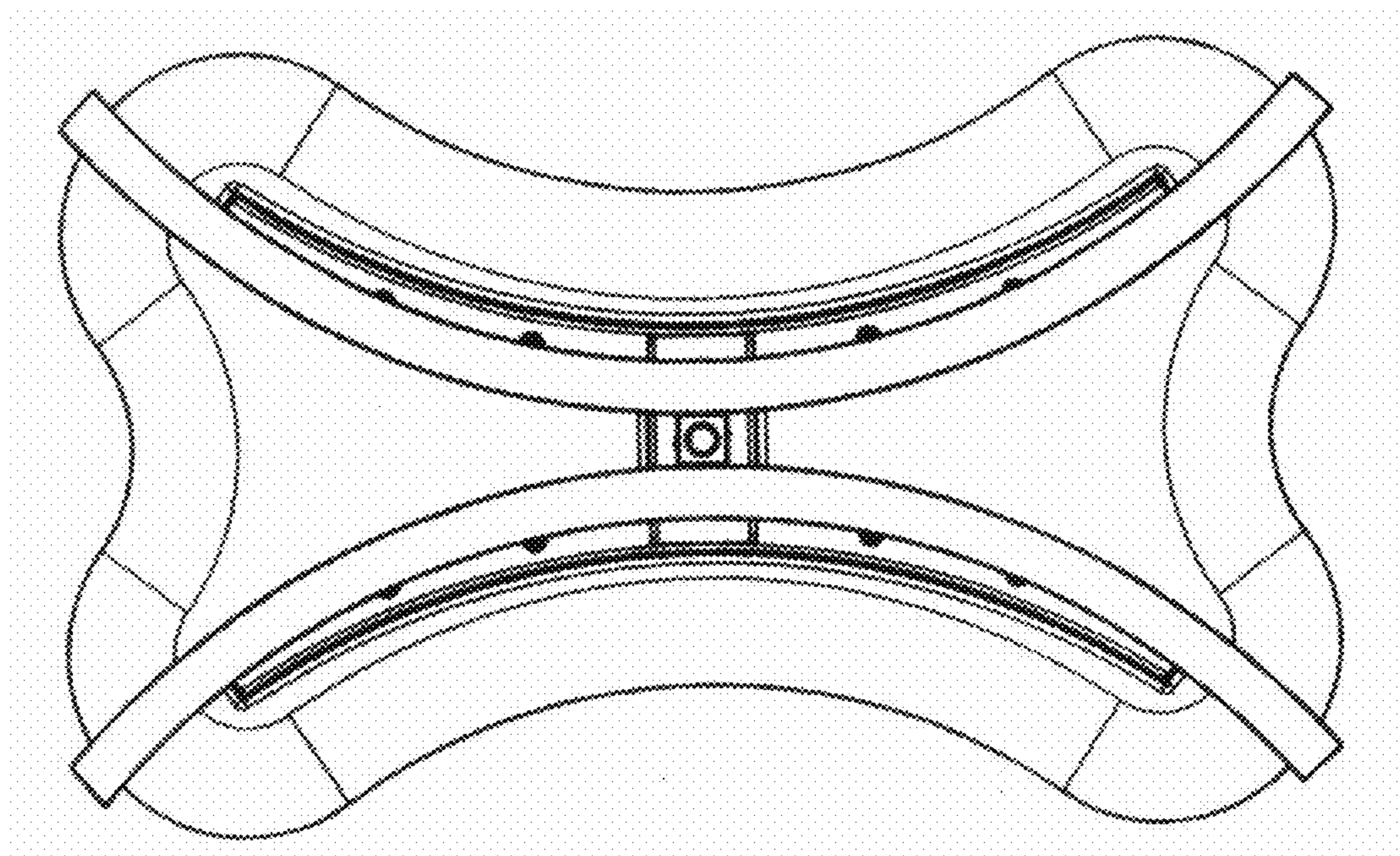


FIG. 11

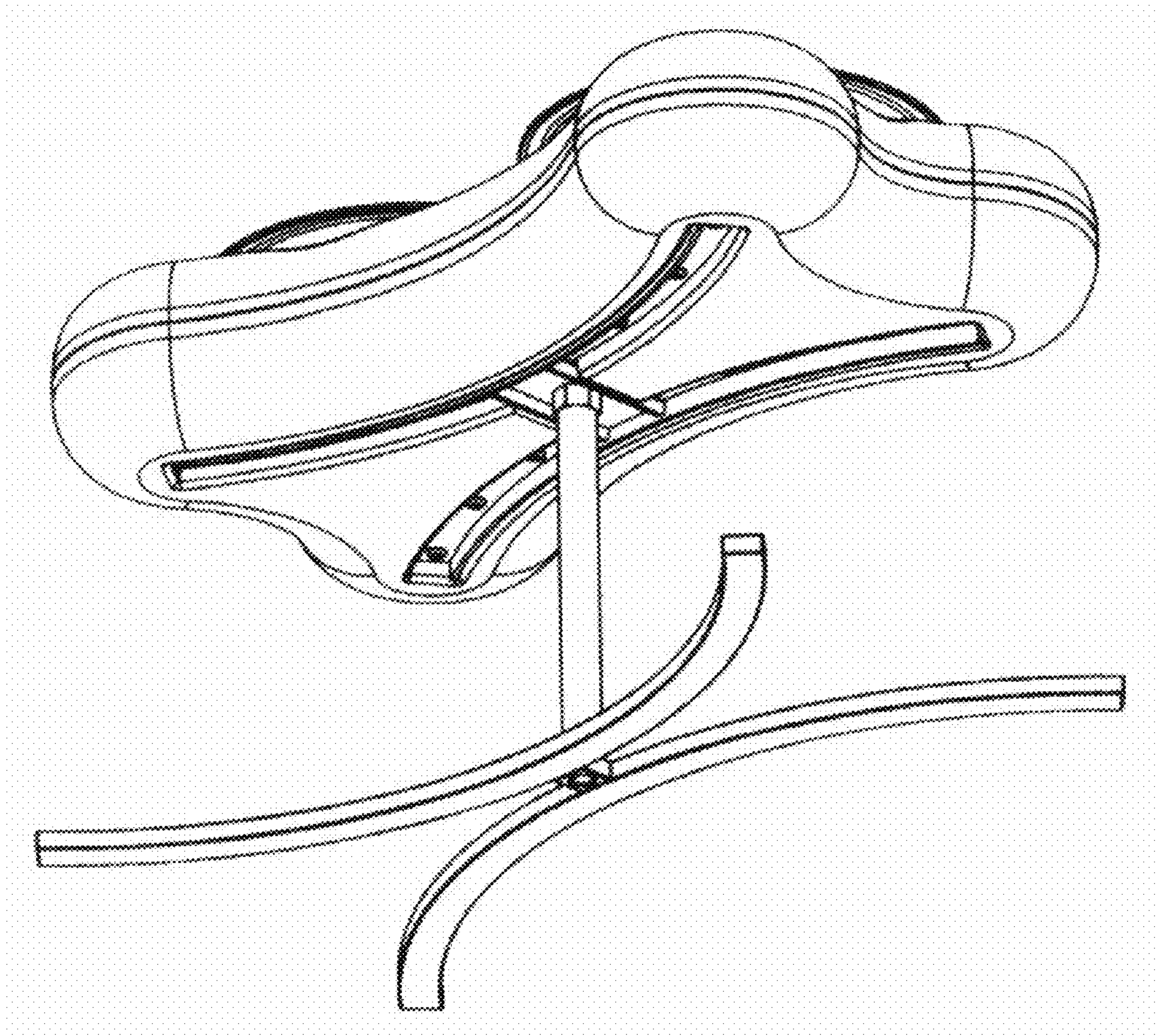


FIG. 12