



US00D627106S

(12) **United States Design Patent**  
**Comin**

(10) **Patent No.:** **US D627,106 S**  
(45) **Date of Patent:** **\*\* Nov. 9, 2010**

(54) **BACK SCRATCHING DEVICE WITH MULTIPLE HANDLES**

(76) Inventor: **Kathryn Comin**, 450 Smith Ave., Evanston, WY (US) 82930

(\*\*) Term: **14 Years**

(21) Appl. No.: **29/361,577**

(22) Filed: **May 12, 2010**

(51) **LOC (9) Cl.** ..... **28-99**

(52) **U.S. Cl.** ..... **D28/91.2; D24/214**

(58) **Field of Classification Search** ..... **D28/91.2; 601/143; D24/214; 15/236.01, 236.07, 236.08, 15/222; D32/43, 46**

See application file for complete search history.

(56) **References Cited**

**U.S. PATENT DOCUMENTS**

1,232,075	A *	7/1917	Oates	15/222
1,699,261	A *	1/1929	Wissmar	15/222
2,238,967	A *	4/1941	Brown	601/143
3,213,474	A *	10/1965	Toth	15/222
4,023,567	A *	5/1977	Wessel	601/143
4,168,704	A *	9/1979	Wessel	601/143
4,196,490	A *	4/1980	Jonzon	15/222
4,761,849	A *	8/1988	Taylor	15/222
4,915,096	A *	4/1990	Winstone et al.	601/143
D320,674	S *	10/1991	Pinkston	D28/91.2
D372,978	S *	8/1996	Harvey	D28/91.2
5,676,638	A *	10/1997	Shefi	601/143
5,736,213	A *	4/1998	Meier	15/222
D412,365	S *	7/1999	Szabo	D24/214
5,983,436	A *	11/1999	Mason et al.	15/222

6,026,531 A \* 2/2000 Pruitt ..... 15/222

\* cited by examiner

*Primary Examiner*—Jennifer Rivard

(74) *Attorney, Agent, or Firm*—Thorpe North & Western LLP

(57) **CLAIM**

The ornamental design for a back scratching device with multiple handles, as shown and described.

**DESCRIPTION**

FIG. 1 is a perspective side view of the back scratching device with multiple handles showing segmented sections in accordance with my invention;

FIG. 2 is a detailed view of a section of FIG. 1 showing the segmented sections;

FIG. 3 is a top view thereof showing the segmented sections and the multiple handles;

FIG. 4 is a detailed view of a section of FIG. 3 showing the segmented sections;

FIG. 5 is a bottom view thereof showing the multiple handles;

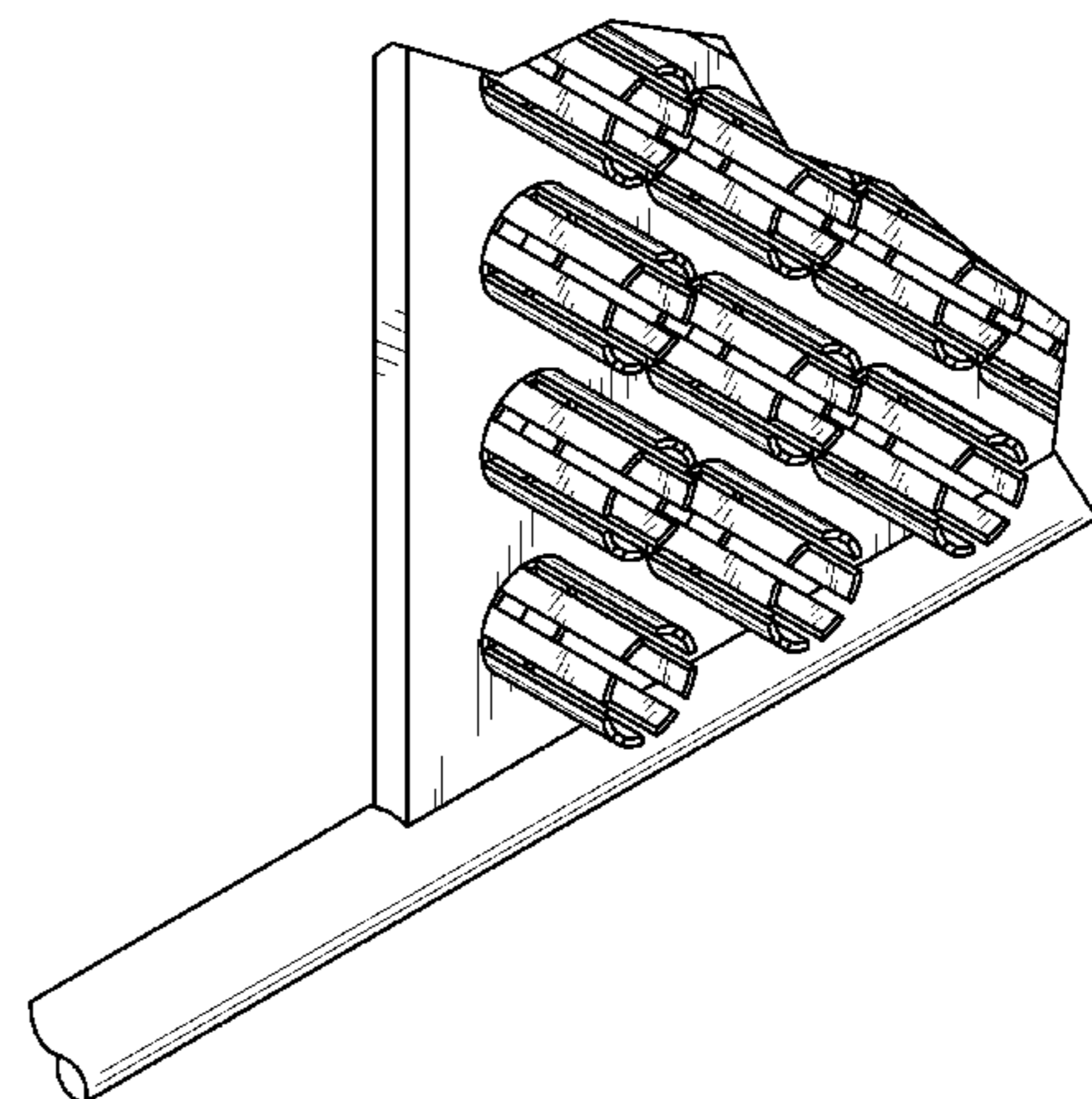
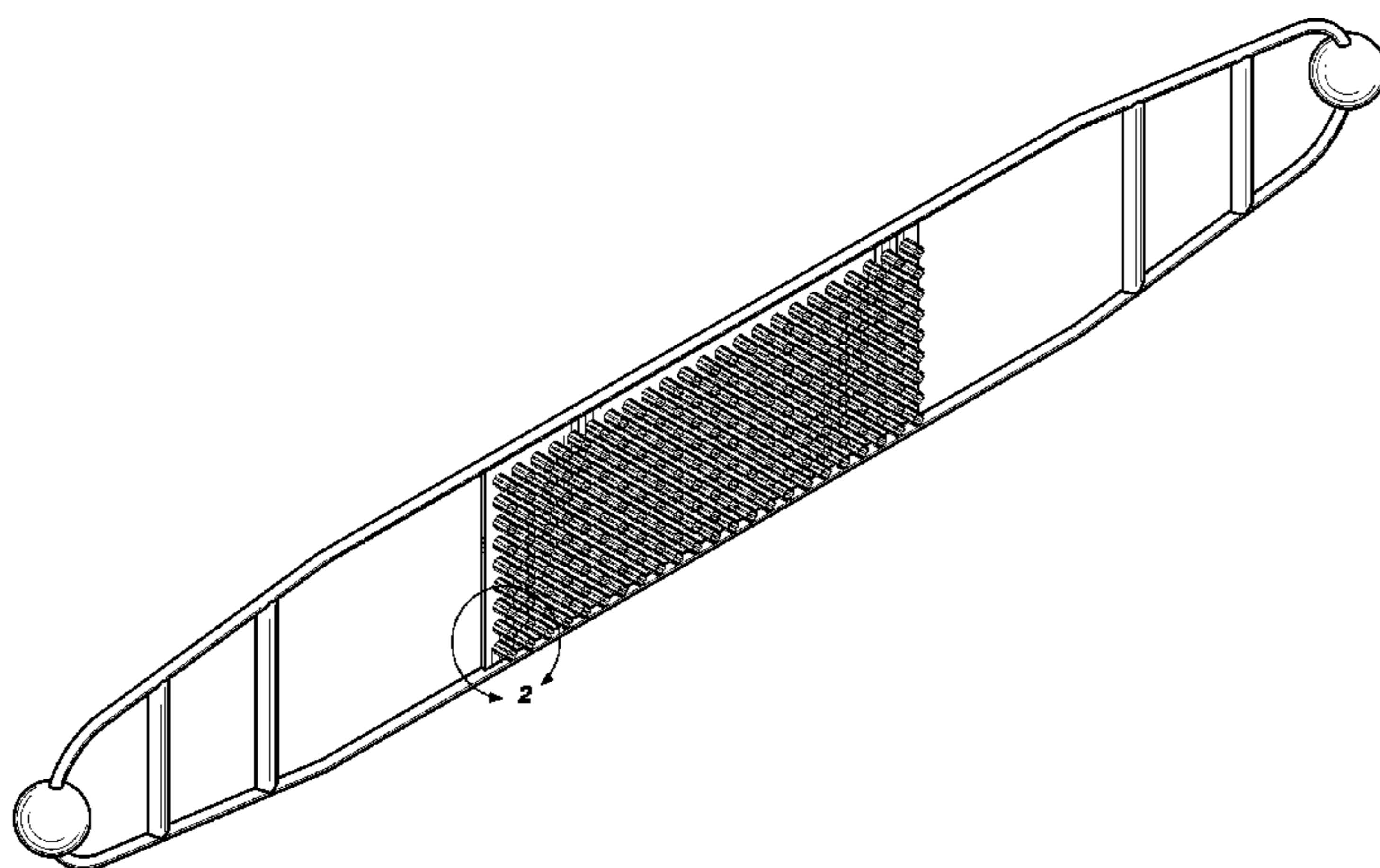
FIG. 6 is a left side view thereof showing the segmented sections, the right side view being a mirror image thereof;

FIG. 7 is a detailed view of a section of FIG. 6 showing the segmented sections; and,

FIG. 8 is a front end view thereof, the back end view being a mirror image thereof.

The segmented sections of the back scratching device are disclosed separately for convenience of illustration.

**1 Claim, 4 Drawing Sheets**



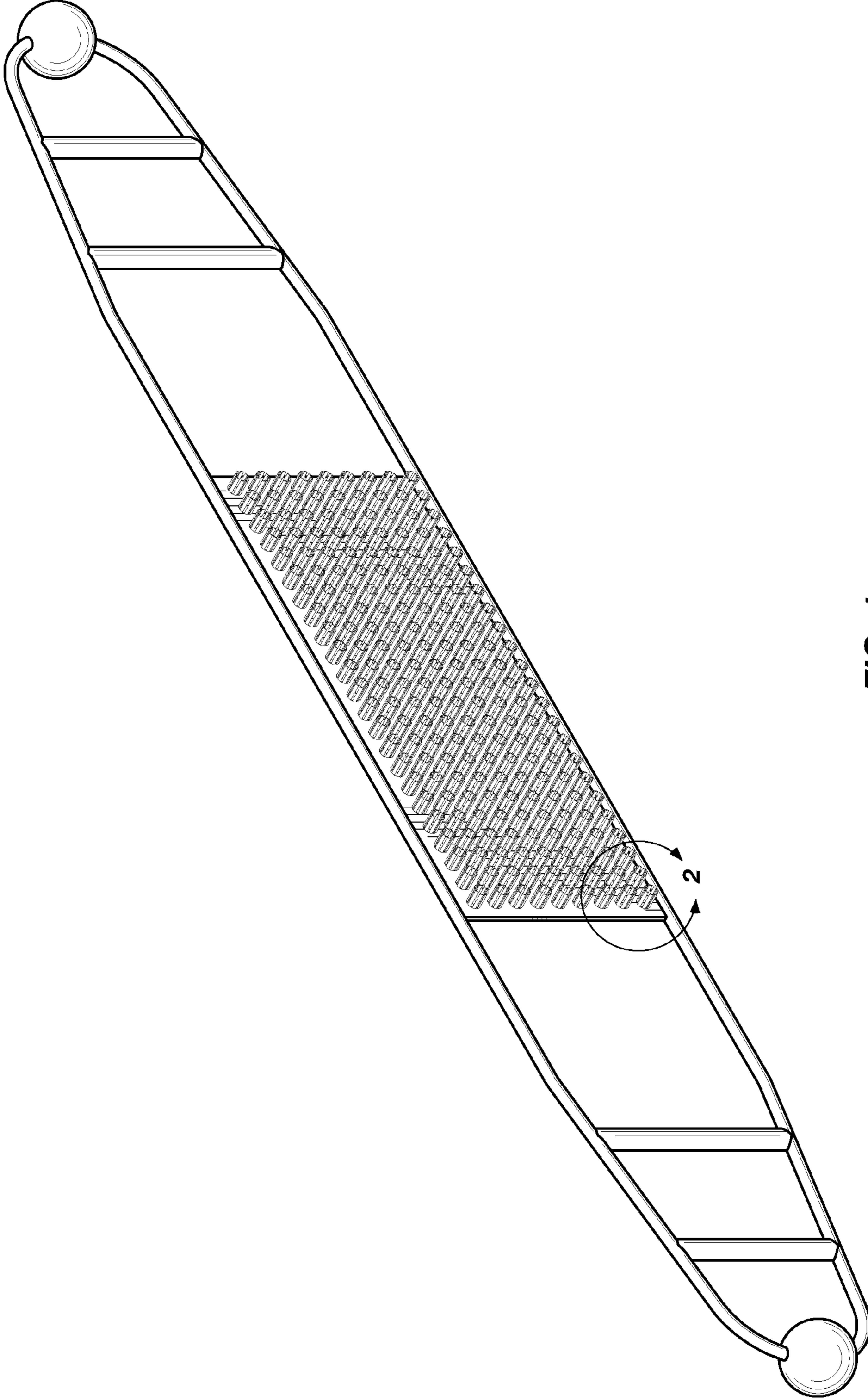


FIG. 1



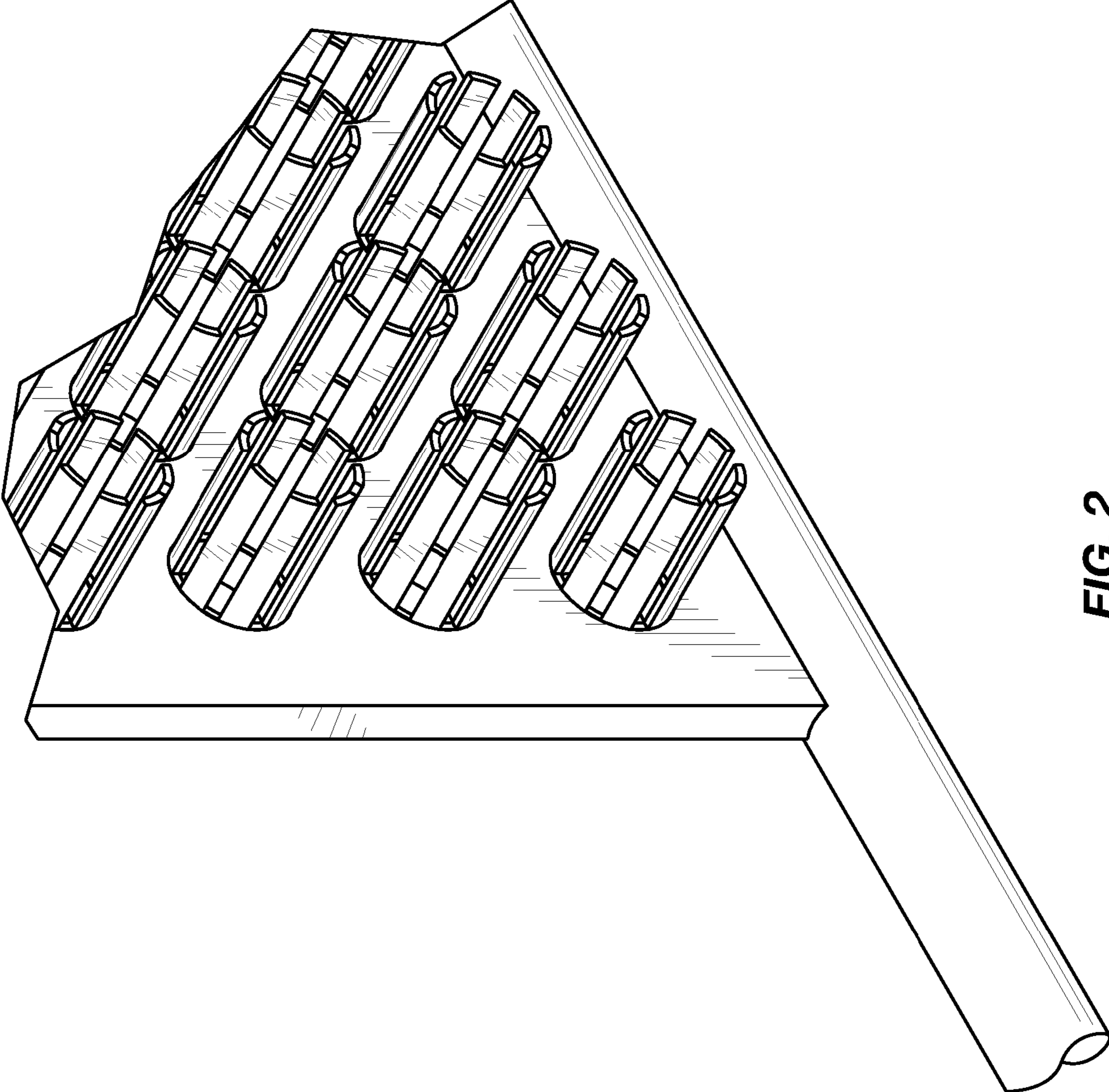
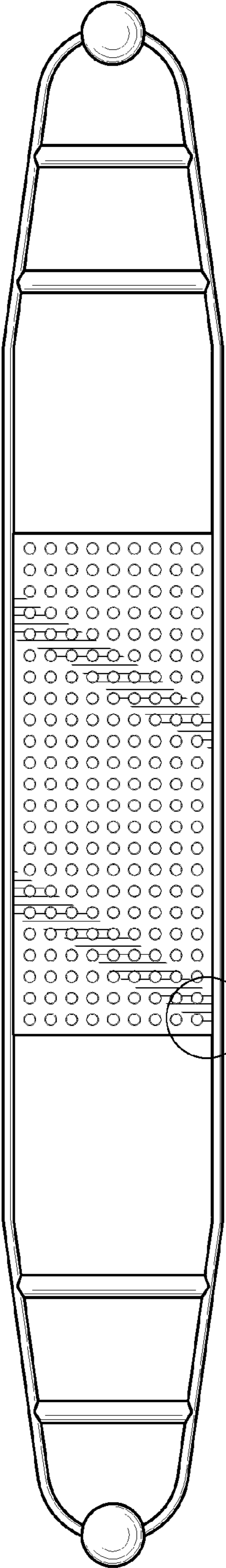
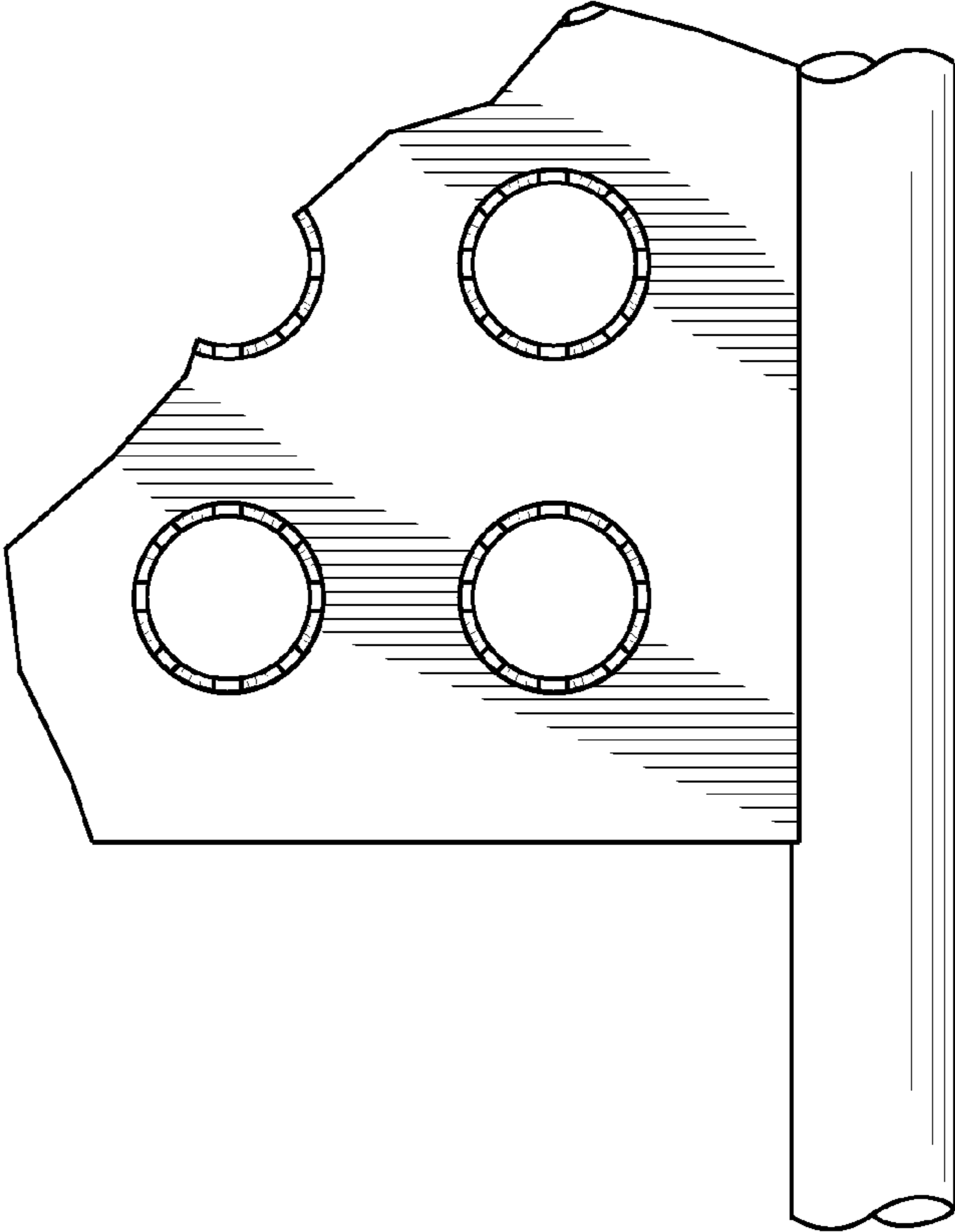


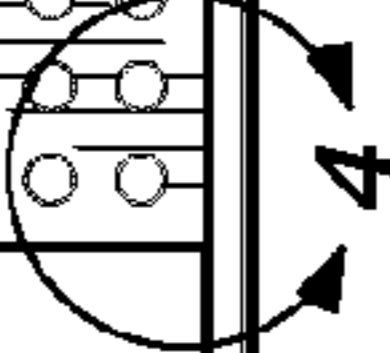
FIG. 2



**FIG. 3**



**FIG. 4**



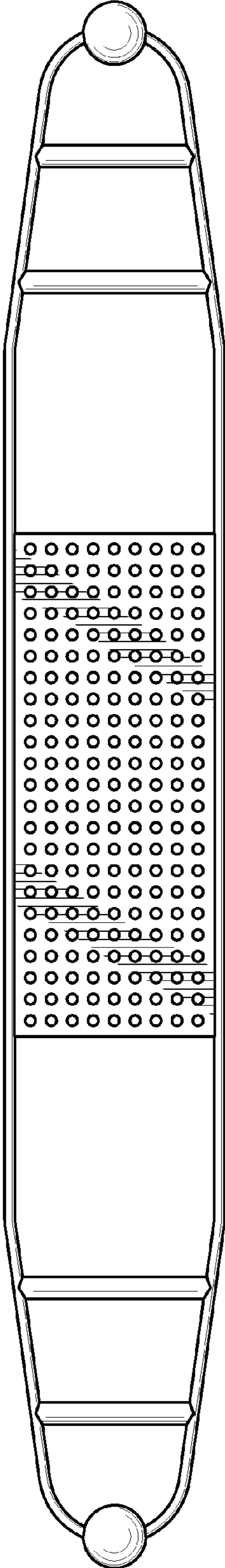


FIG. 5

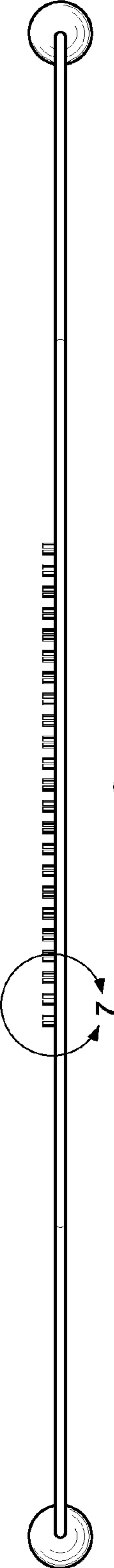


FIG. 6



FIG. 8

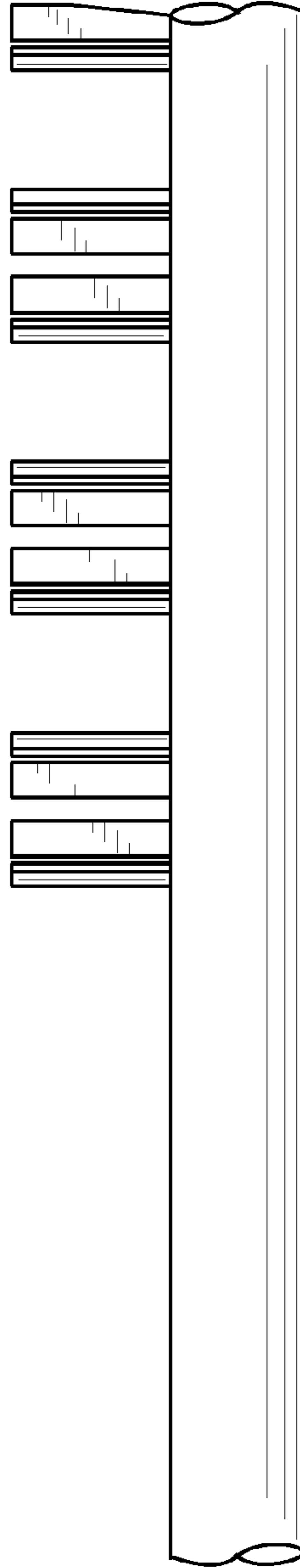


FIG. 7