



US00D627105S

(12) **United States Design Patent**  
**Cho**

(10) **Patent No.:** **US D627,105 S**  
(45) **Date of Patent:** **\*\* Nov. 9, 2010**

(54) **ILLUMINATED TWEEZERS**

(74) *Attorney, Agent, or Firm*—Maria Erlinda Co Sarno

(76) **Inventor:** **Yong Hoon Cho**, 604 Murfield Ct.,  
Fullerton, CA (US) 92835

(57) **CLAIM**

The ornamental design for an illuminated tweezers, as shown and described.

(\*\*) **Term:** **14 Years**

(21) **Appl. No.:** **29/349,500**

**DESCRIPTION**

(22) **Filed:** **Apr. 9, 2010**

FIG. 1 is a front perspective view of the illuminated tweezers showing my new design;

(51) **LOC (9) Cl.** ..... **28-03**

FIG. 2 is a front view of the illuminated tweezers;

(52) **U.S. Cl.** ..... **D28/55; D24/143**

FIG. 3 is a left side view of the illuminated tweezers thereof;

(58) **Field of Classification Search** ..... **D24/143;**  
**D28/55; 606/210, 211; 294/99.2; 362/120**

FIG. 4 is a rear view of the illuminated tweezers thereof;

See application file for complete search history.

FIG. 5 is a right side view of the illuminated tweezers thereof;

(56) **References Cited**

FIG. 6 is a top end view of the illuminated tweezers thereof;

**U.S. PATENT DOCUMENTS**

FIG. 7 is a bottom end view of the illuminated tweezers thereof; and,

D171,264	S	*	1/1954	Peterson et al.	.....	D28/55
3,287,547	A	*	11/1966	Spedding	.....	294/99.2
D253,974	S	*	1/1980	Nalbandian	.....	D28/55
D587,405	S	*	2/2009	Edwards	.....	D28/55
D598,165	S	*	8/2009	Platek	.....	D28/55
D614,355	S	*	4/2010	Epstein	.....	D28/55

FIG. 8 is a front perspective view of the illuminated tweezers with a cover.

\* cited by examiner

The broken lines shown at the ends of the tweezers' tips represent the bounds of the claim. All other broken lines illustrate portions of the article. None of the broken lines form a part of the claimed design.

*Primary Examiner*—Jennifer Rivard

**1 Claim, 2 Drawing Sheets**

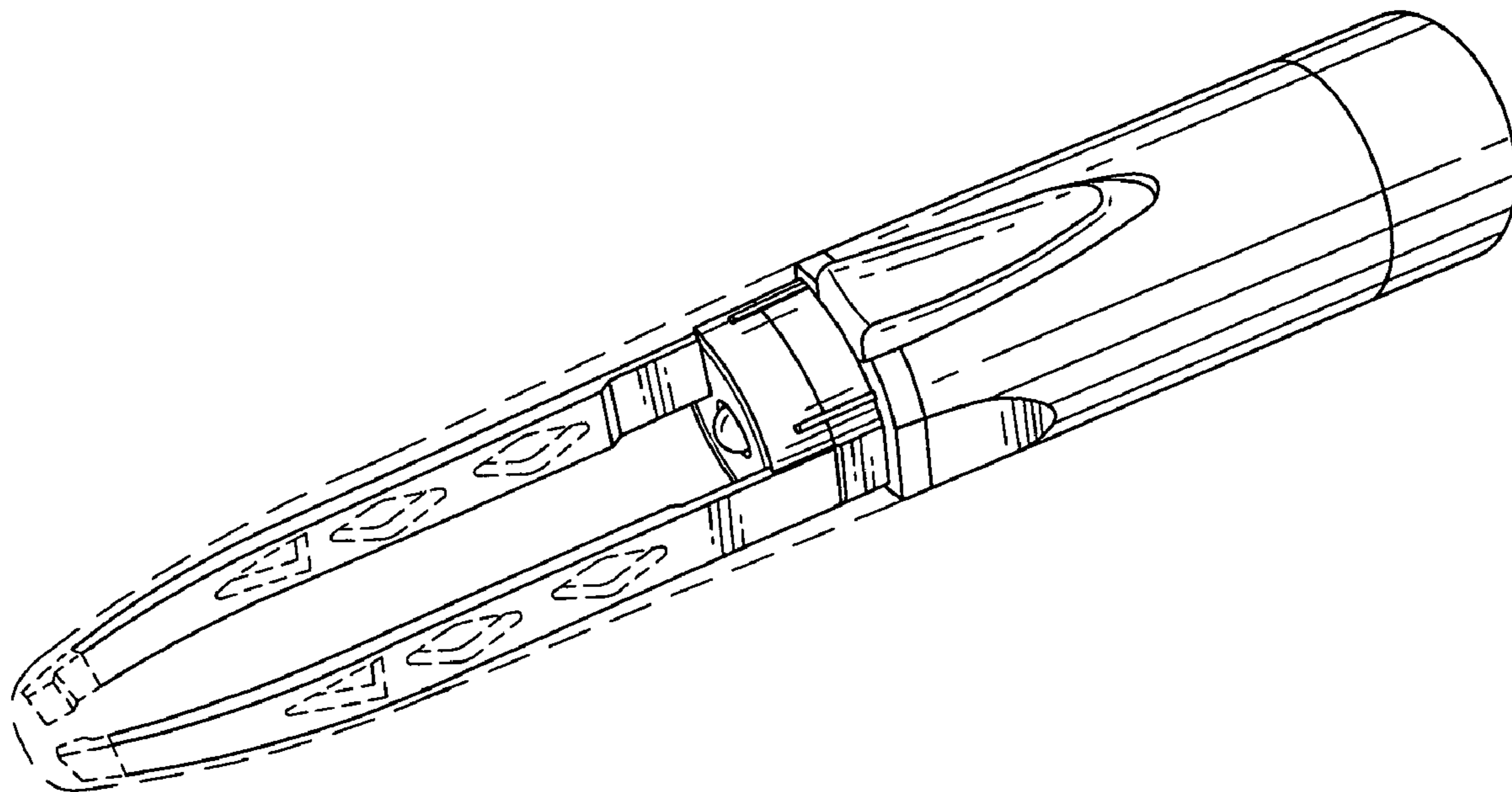


FIG. 1

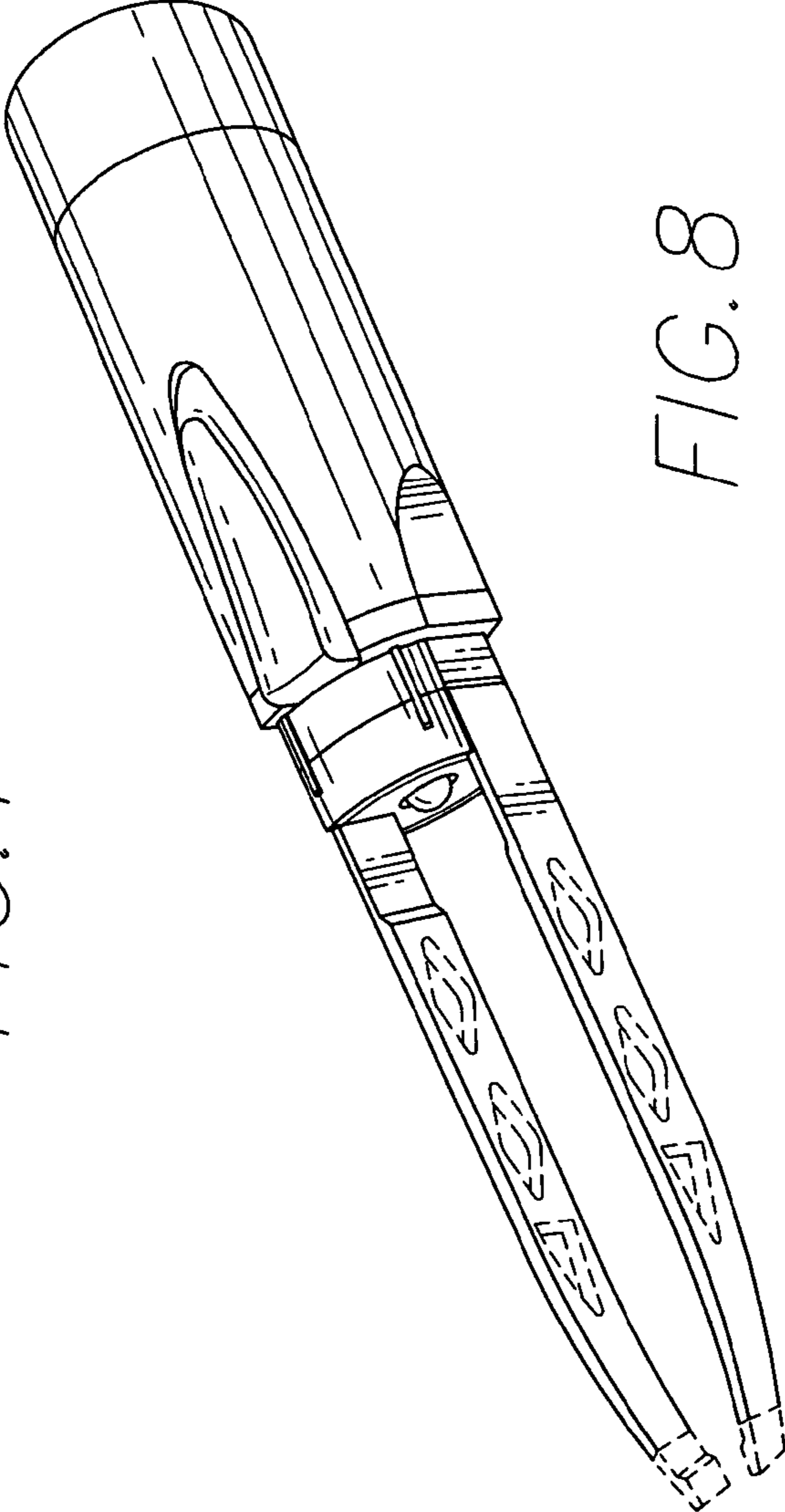


FIG. 8

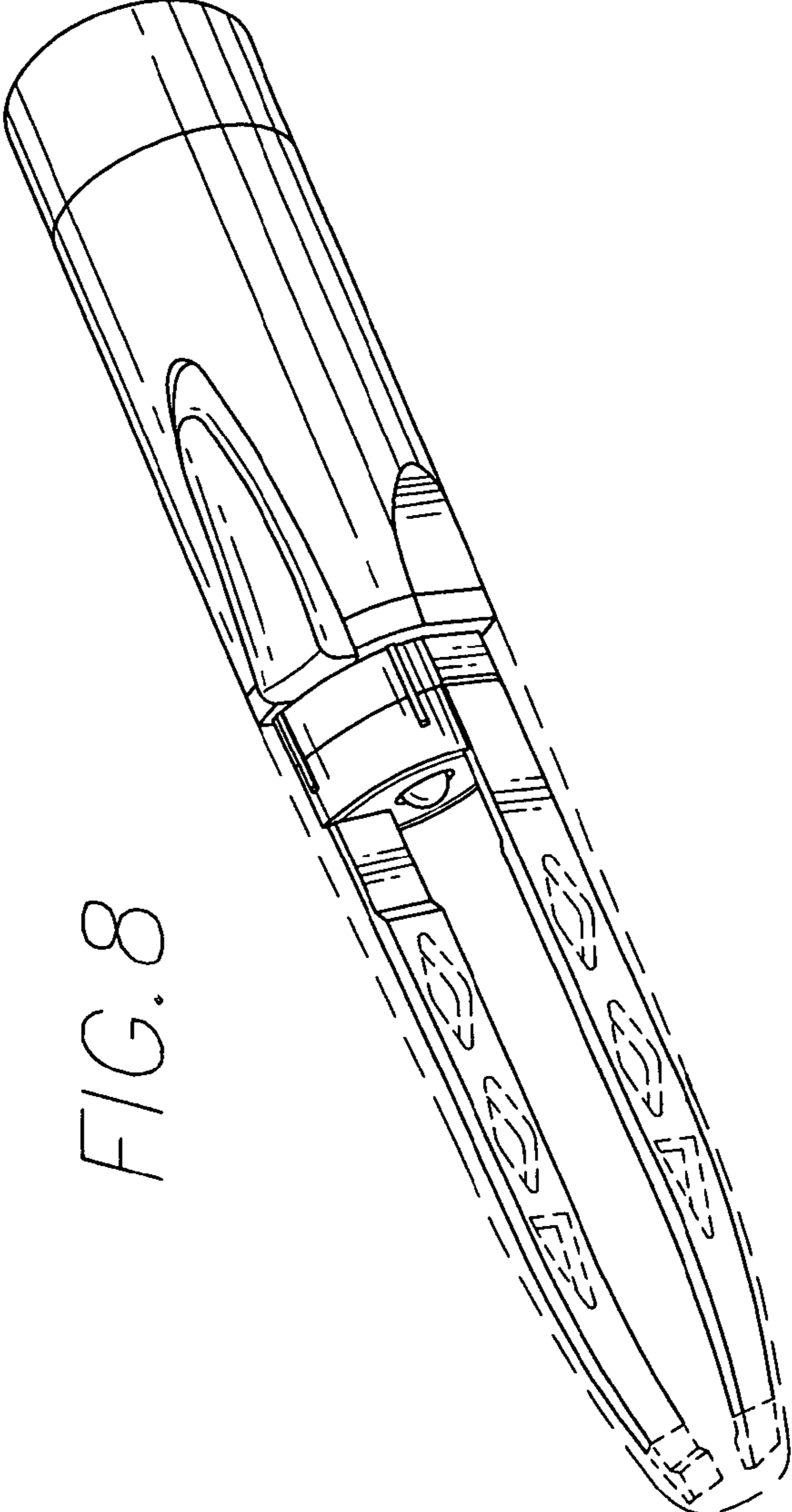


FIG. 2

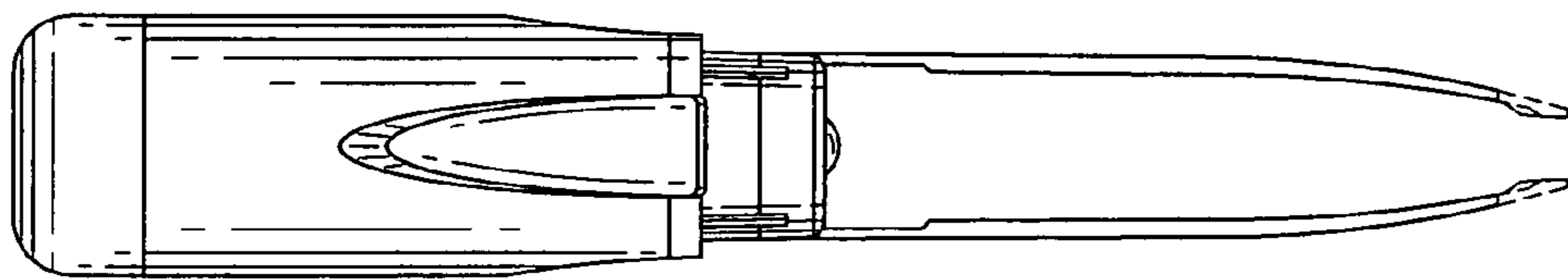


FIG. 3

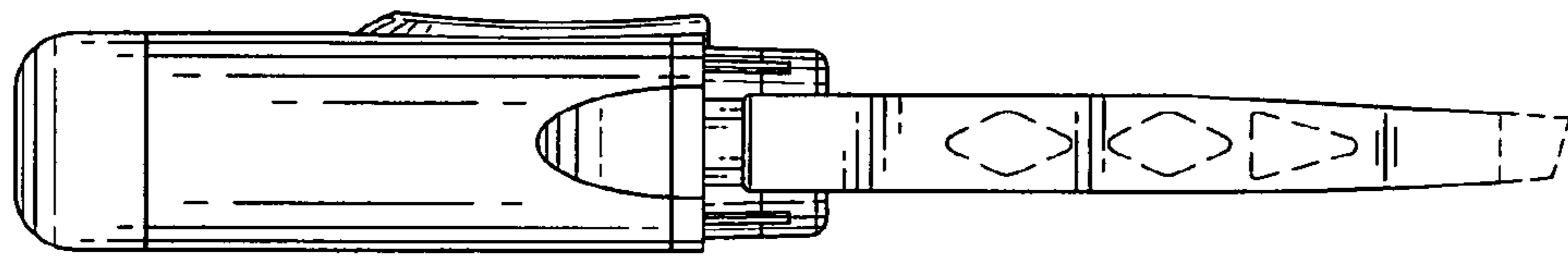


FIG. 4

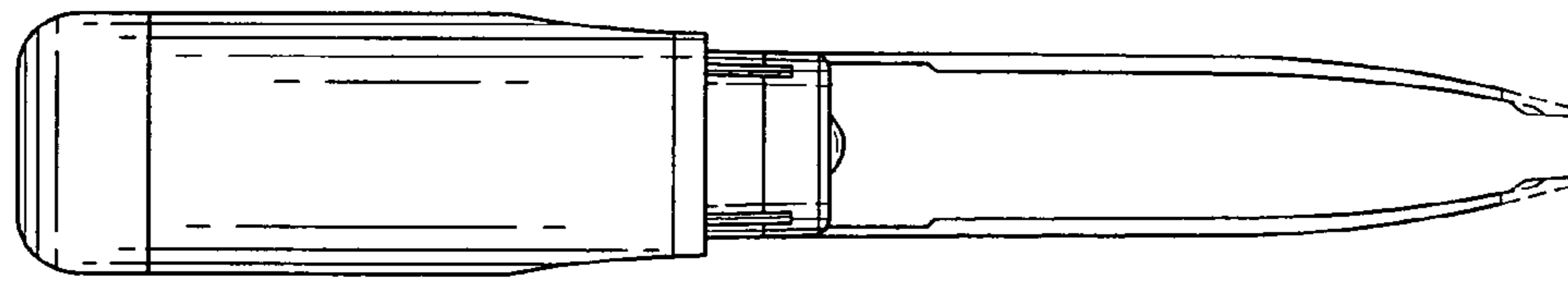


FIG. 5

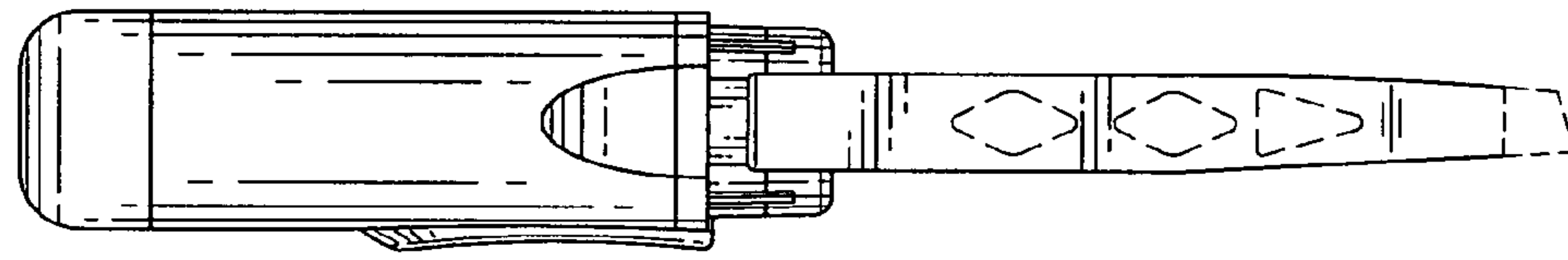


FIG. 6

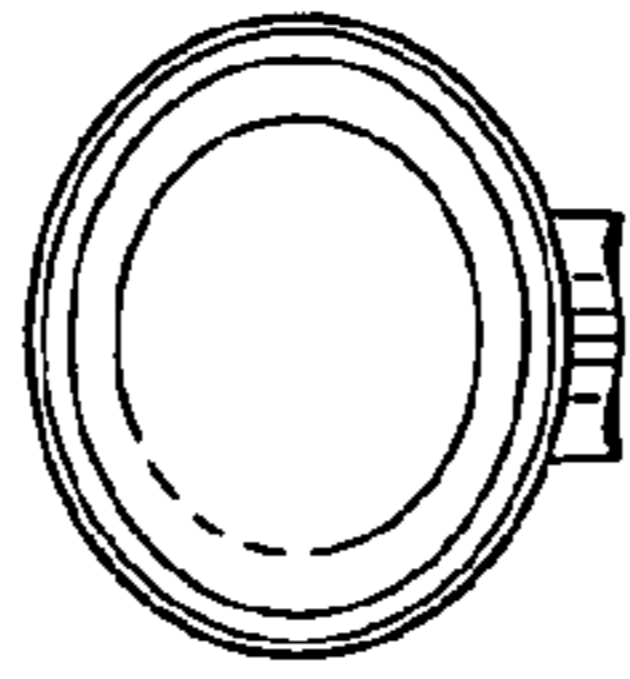


FIG. 7

