



US00D627098S

(12) **United States Design Patent**
Kim

(10) **Patent No.:** **US D627,098 S**
(45) **Date of Patent:** **** Nov. 9, 2010**

(54) **HAIR DRYER**

(75) Inventor: **Hae Jin Kim**, Seoul (KR)

(73) Assignee: **GHD Korea, Inc.** (KR)

(**) Term: **14 Years**

(21) Appl. No.: **29/343,653**

(22) Filed: **Sep. 16, 2009**

(51) **LOC (9) Cl.** **28-03**

(52) **U.S. Cl.** **D28/13**

(58) **Field of Classification Search** D28/12-19;
34/96-101; 392/380-385; 219/222

See application file for complete search history.

(56) **References Cited**

U.S. PATENT DOCUMENTS

- D281,360 S * 11/1985 Wistrand D28/13
- D345,042 S * 3/1994 Montagnino et al. D28/13
- D386,815 S * 11/1997 Muller D28/13
- D398,717 S * 9/1998 Kling et al. D28/13
- D425,662 S * 5/2000 Cheung D28/13
- D429,028 S * 8/2000 Muller et al. D28/13
- D438,340 S * 2/2001 Gudfin D28/13
- D456,943 S * 5/2002 Micinilio et al. D28/13
- D527,145 S * 8/2006 Zimmermann D28/13

D541,982 S * 5/2007 Choi D28/13

* cited by examiner

Primary Examiner—Janice E Seeger

Assistant Examiner—Zenia I Bennett

(74) *Attorney, Agent, or Firm*—Park & Associates IP Law LLC

(57) **CLAIM**

The ornamental design for a hair dryer, as shown and described.

DESCRIPTION

FIG. 1 is a perspective view of a hair dryer in accordance with the new design;

FIG. 2 is a front elevational view thereof;

FIG. 3 is a rear elevational view thereof;

FIG. 4 is a left side elevational view thereof;

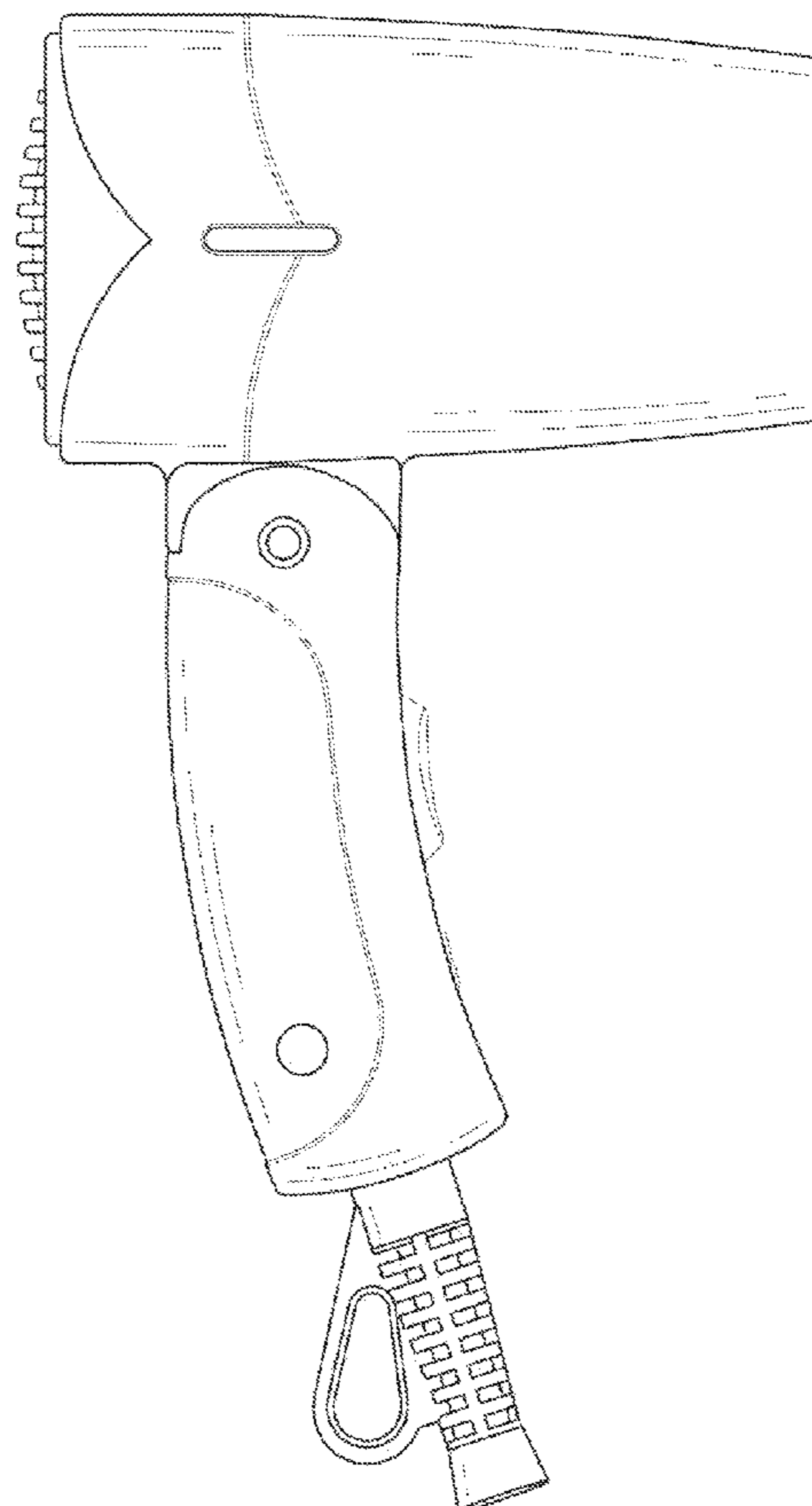
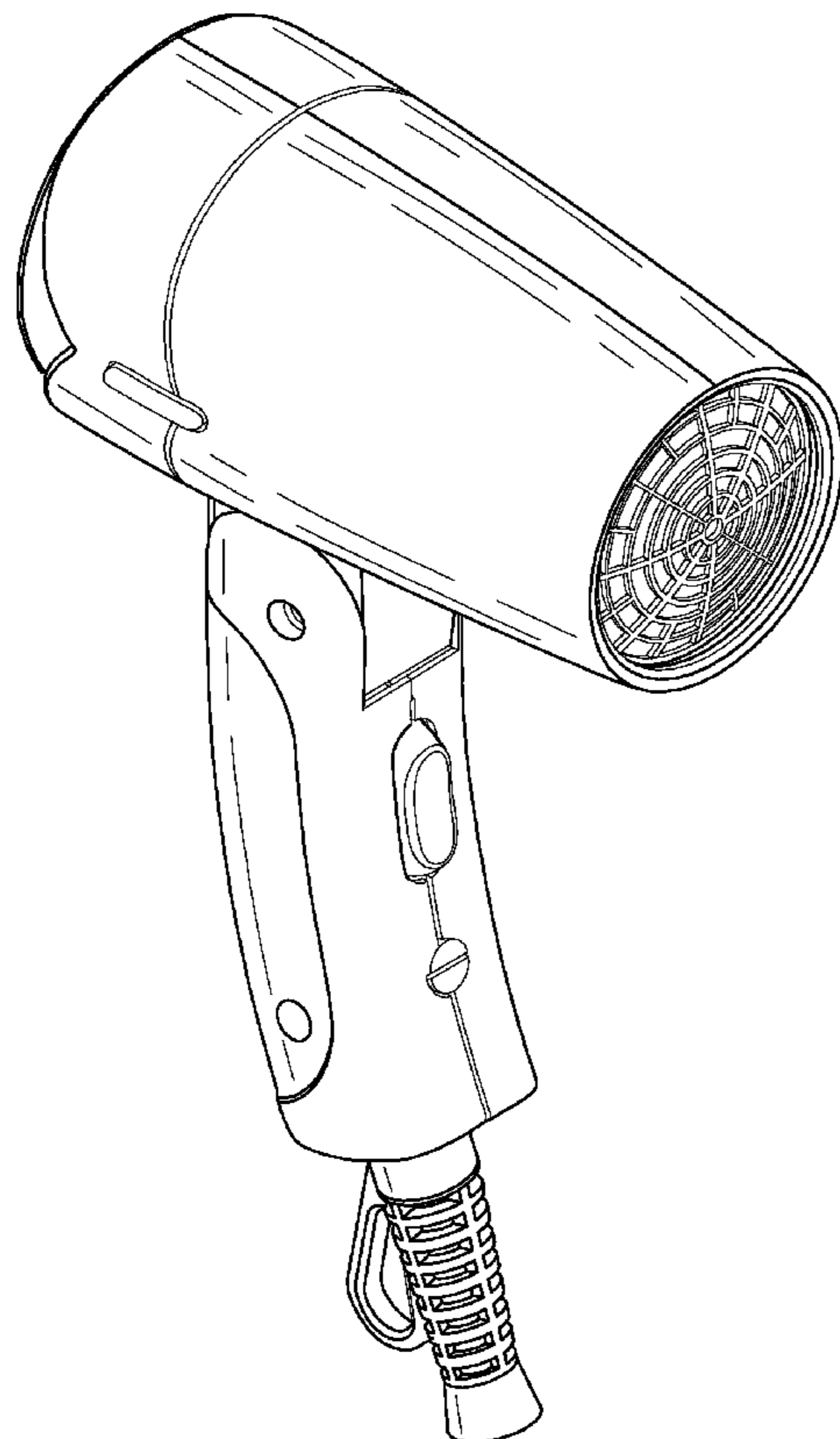
FIG. 5 is a right side elevational view thereof;

FIG. 6 is a top plan view thereof; and,

FIG. 7 is a bottom plan view thereof.

The broken lines in the drawing are for illustrative purposes only and form no part of the claimed design.

1 Claim, 6 Drawing Sheets



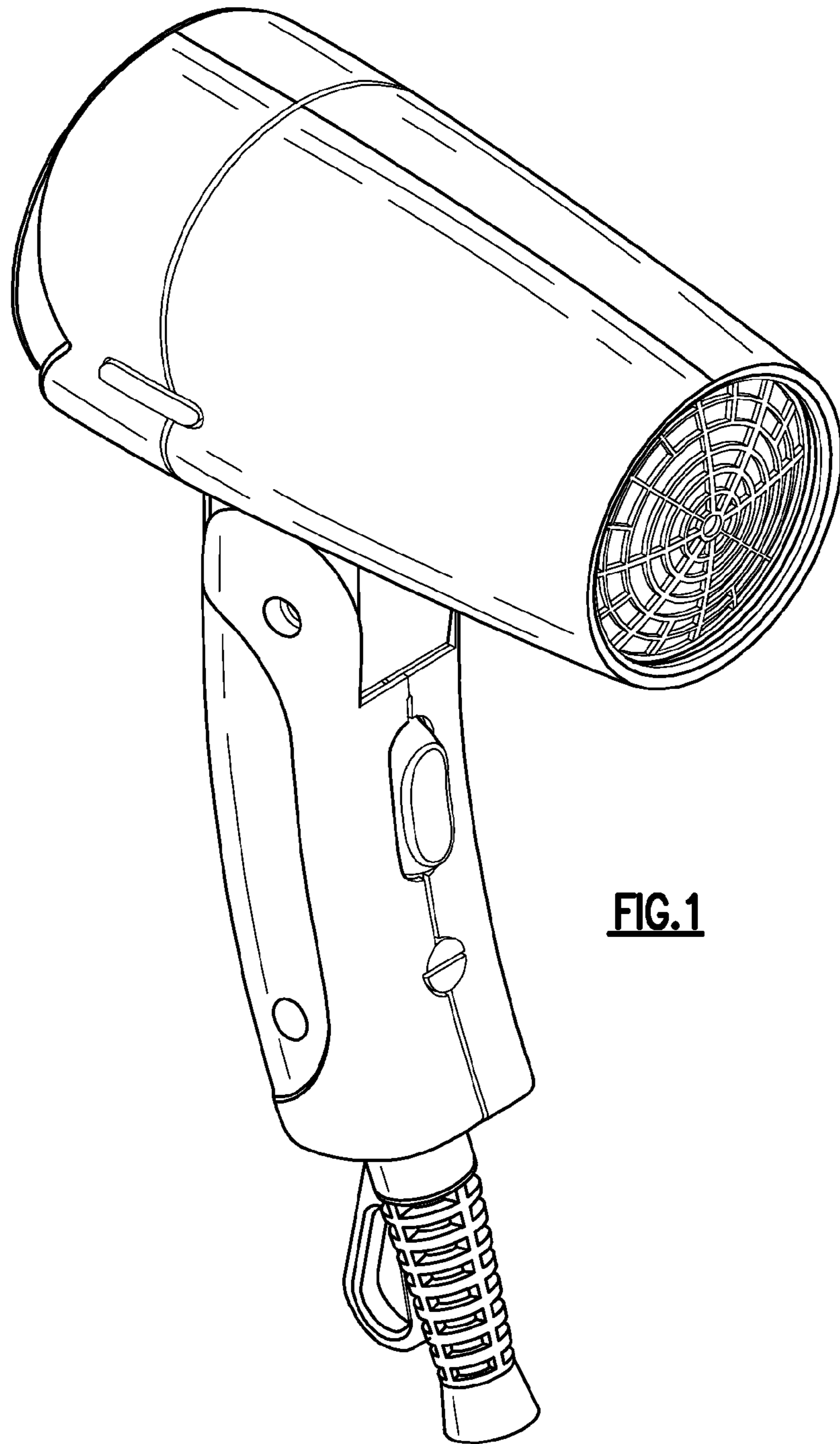


FIG. 1

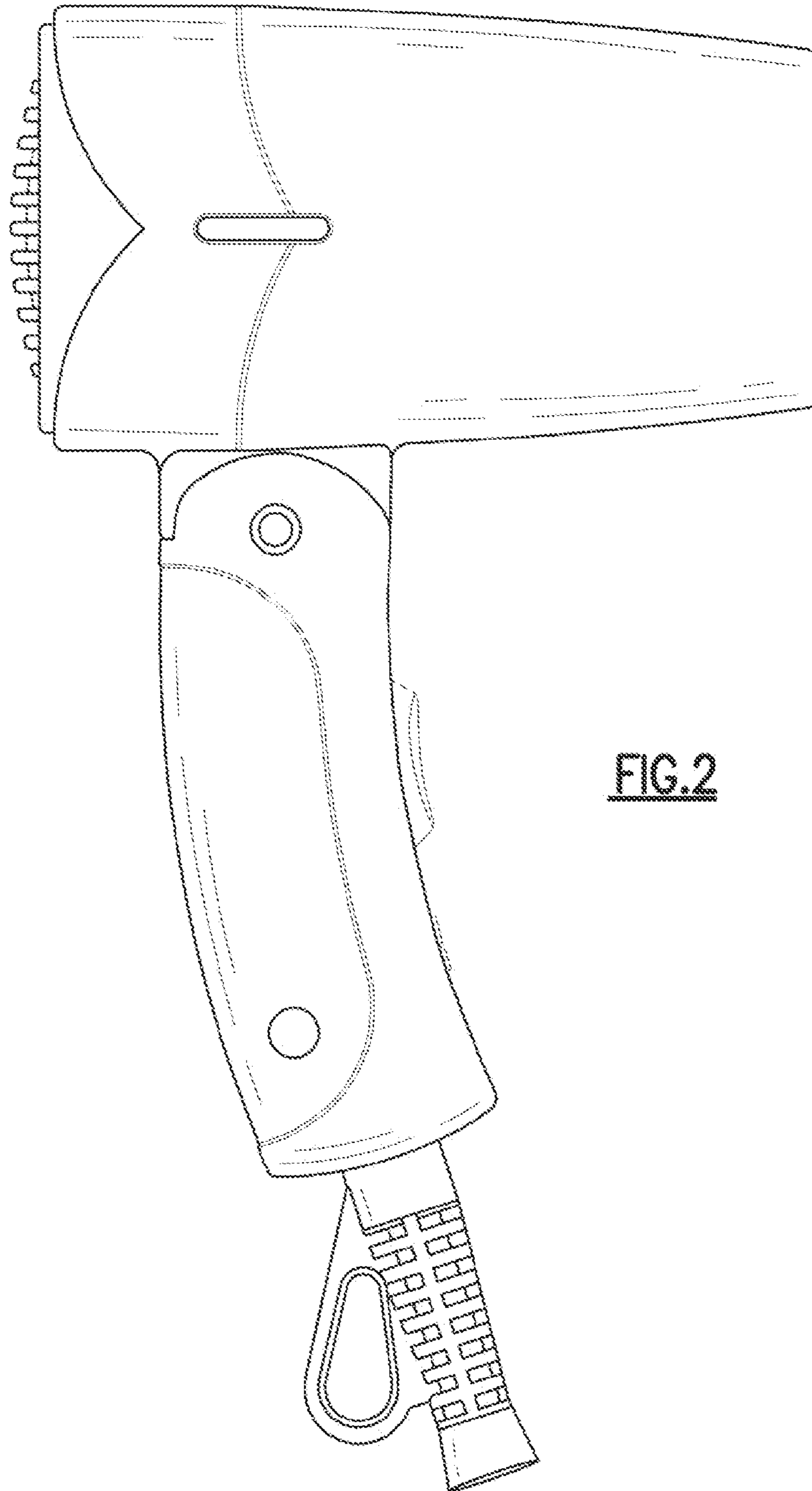


FIG. 2

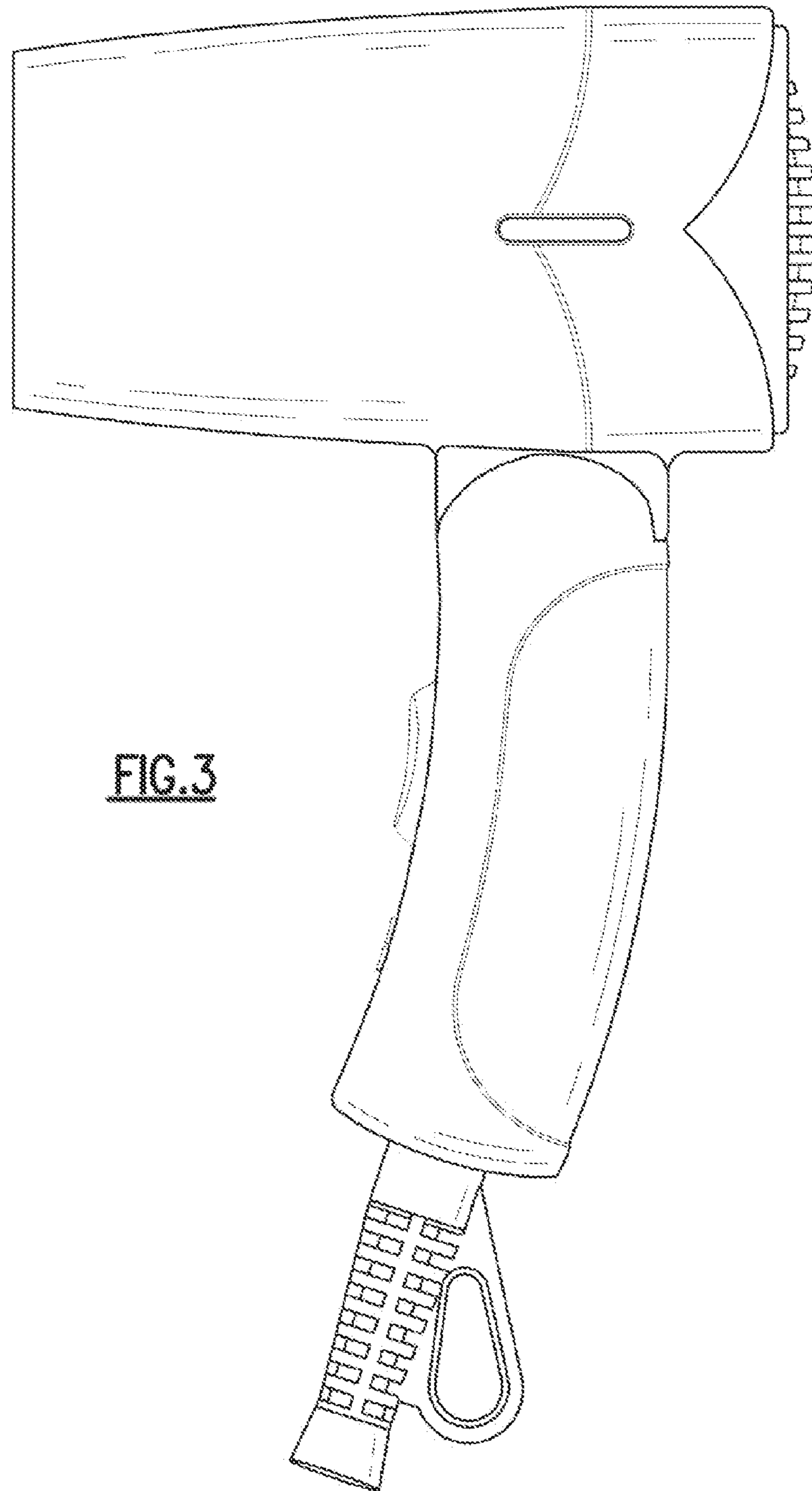


FIG. 3

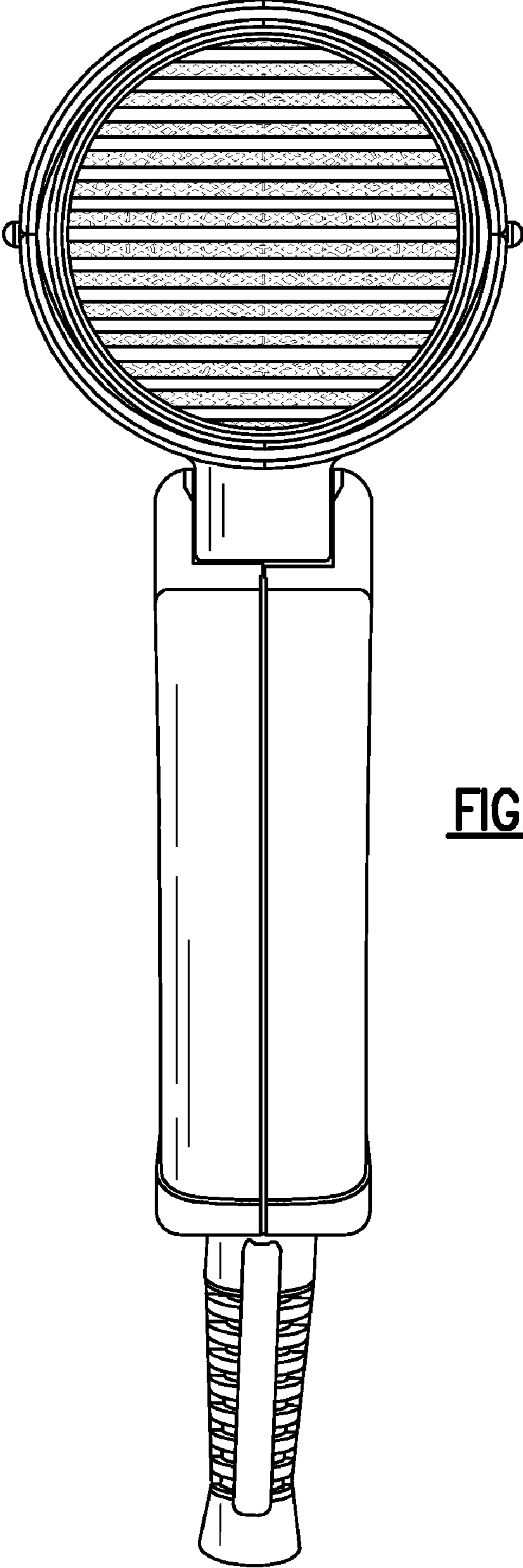


FIG.4

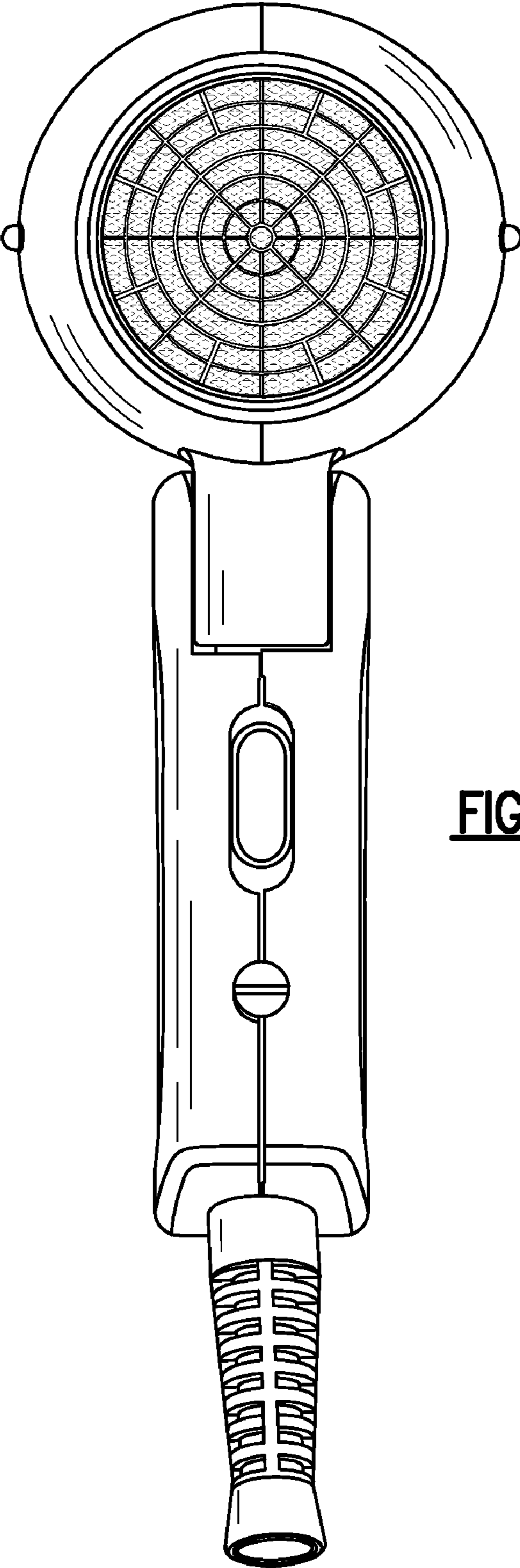


FIG.5

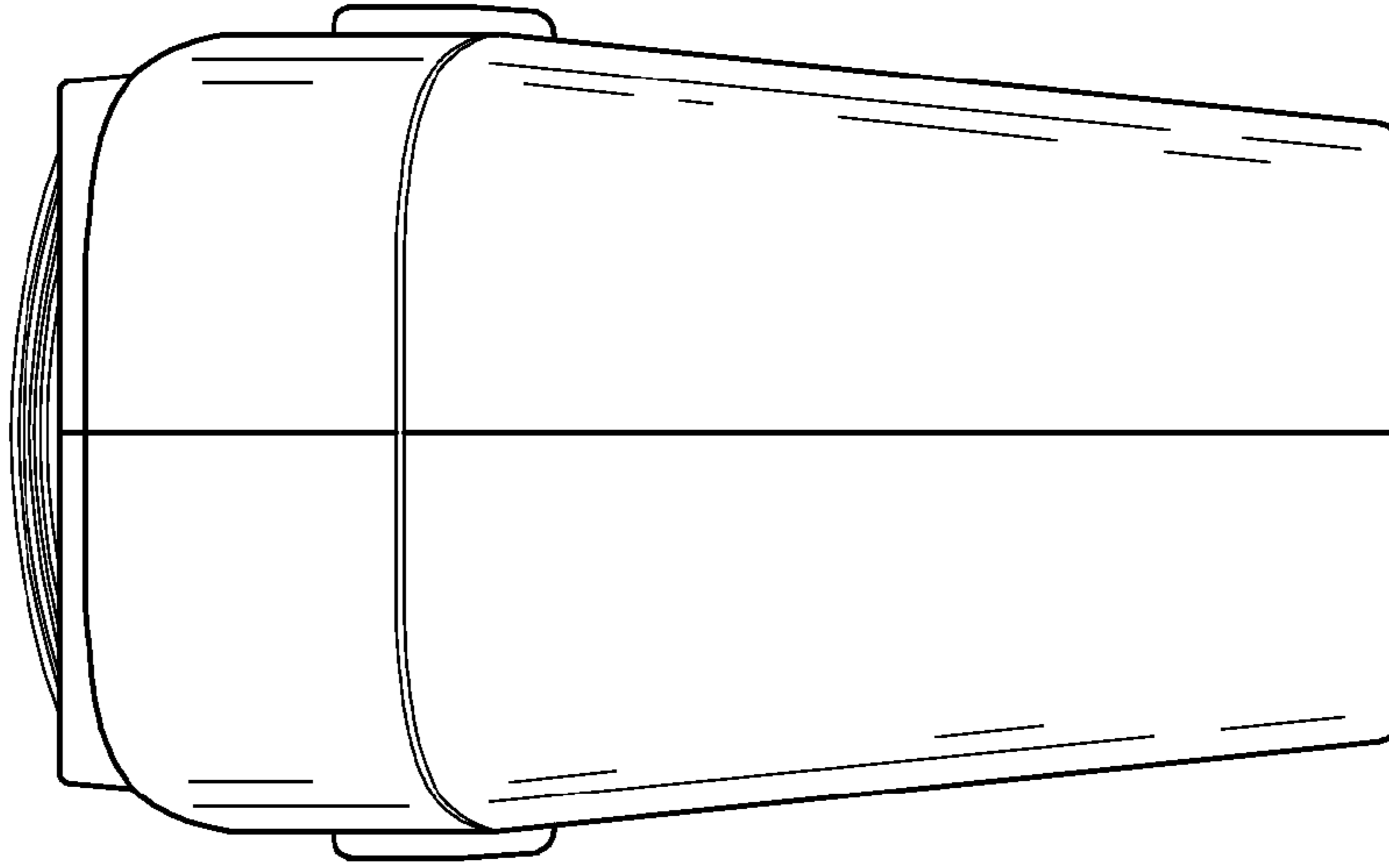


FIG. 6

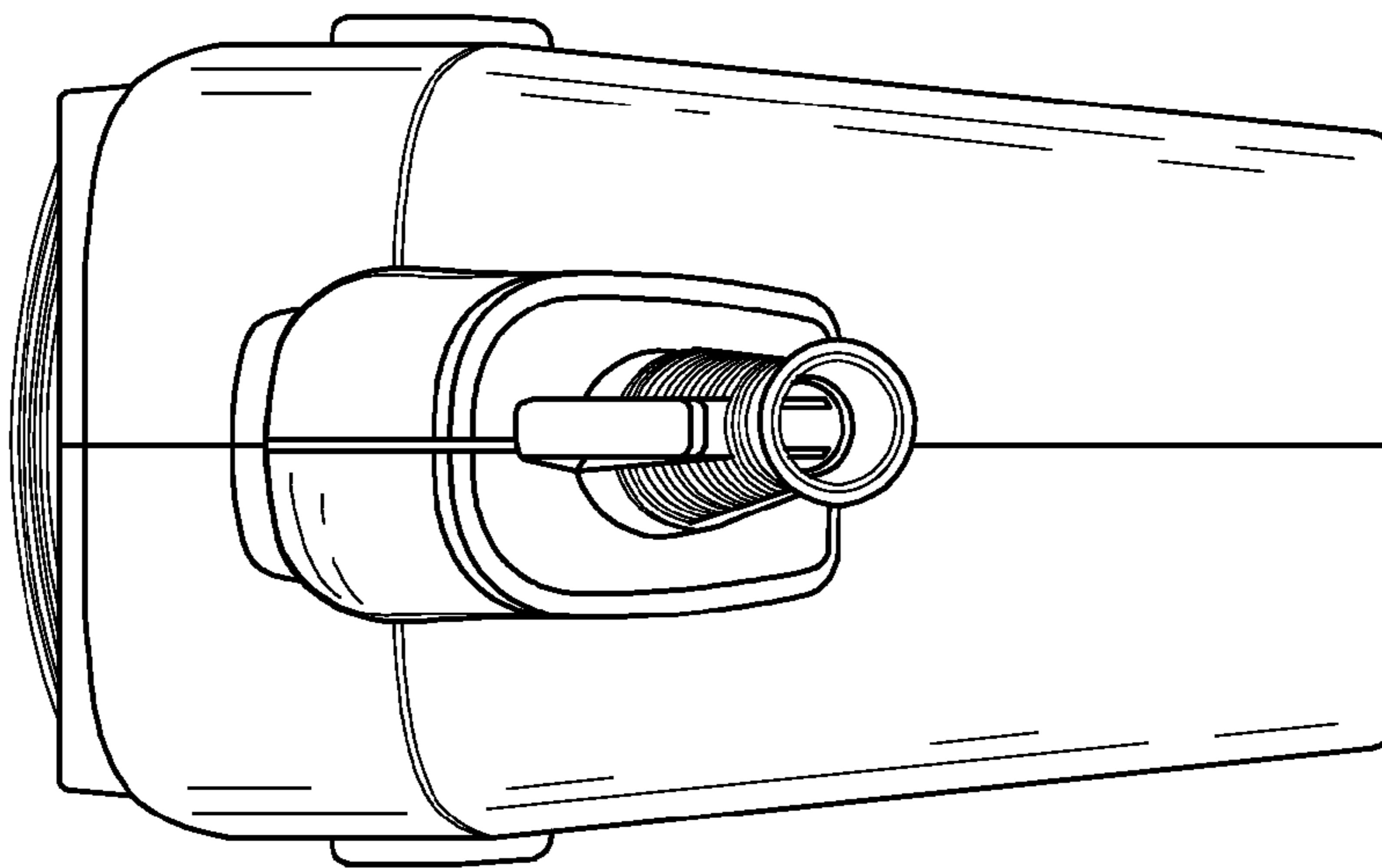


FIG. 7