



US00D627097S

(12) **United States Design Patent**
Rothenberg

(10) **Patent No.:** **US D627,097 S**

(45) **Date of Patent:** **** Nov. 9, 2010**

(54) **CIGAR HOLDER**

(75) Inventor: **Bruce Rothenberg**, San Francisco, CA
(US)

(73) Assignee: **Vendetta, Inc.**, San Francisco, CA (US)

(**) Term: **14 Years**

(21) Appl. No.: **29/344,950**

(22) Filed: **Oct. 6, 2009**

(51) **LOC (9) Cl.** **27-06**

(52) **U.S. Cl.** **D27/192; D27/195**

(58) **Field of Classification Search** D27/172,
D27/183, 186-188, 193-195; 131/330, 175,
131/187, 188, 190

See application file for complete search history.

(56) **References Cited**

U.S. PATENT DOCUMENTS

1,376,335	A *	4/1921	Hentschel	131/254
1,475,238	A *	11/1923	Montgomery	131/190
D166,924	S *	6/1952	Roller	D27/192
3,001,529	A *	9/1961	Watson	131/257
D245,347	S *	8/1977	Casey	D27/195
D254,811	S *	4/1980	Katz	D27/195

4,838,285	A *	6/1989	Petrone	131/259
D385,059	S *	10/1997	Jenkins	D27/183
D388,532	S *	12/1997	Wander	D27/195
D399,597	S *	10/1998	Craven	D27/183
D451,636	S *	12/2001	Chang	D27/183
D586,411	S *	2/2009	Iacono	D21/717

* cited by examiner

Primary Examiner—Stella M Reid

Assistant Examiner—Keli L Hill

(74) *Attorney, Agent, or Firm*—Westberg Law Offices

(57) **CLAIM**

The ornamental design for a cigar holder, as shown and described.

DESCRIPTION

FIG. 1 is a perspective view of my new design;

FIG. 2 is a front elevation view thereof, the rear elevation view being a mirror image of the front view;

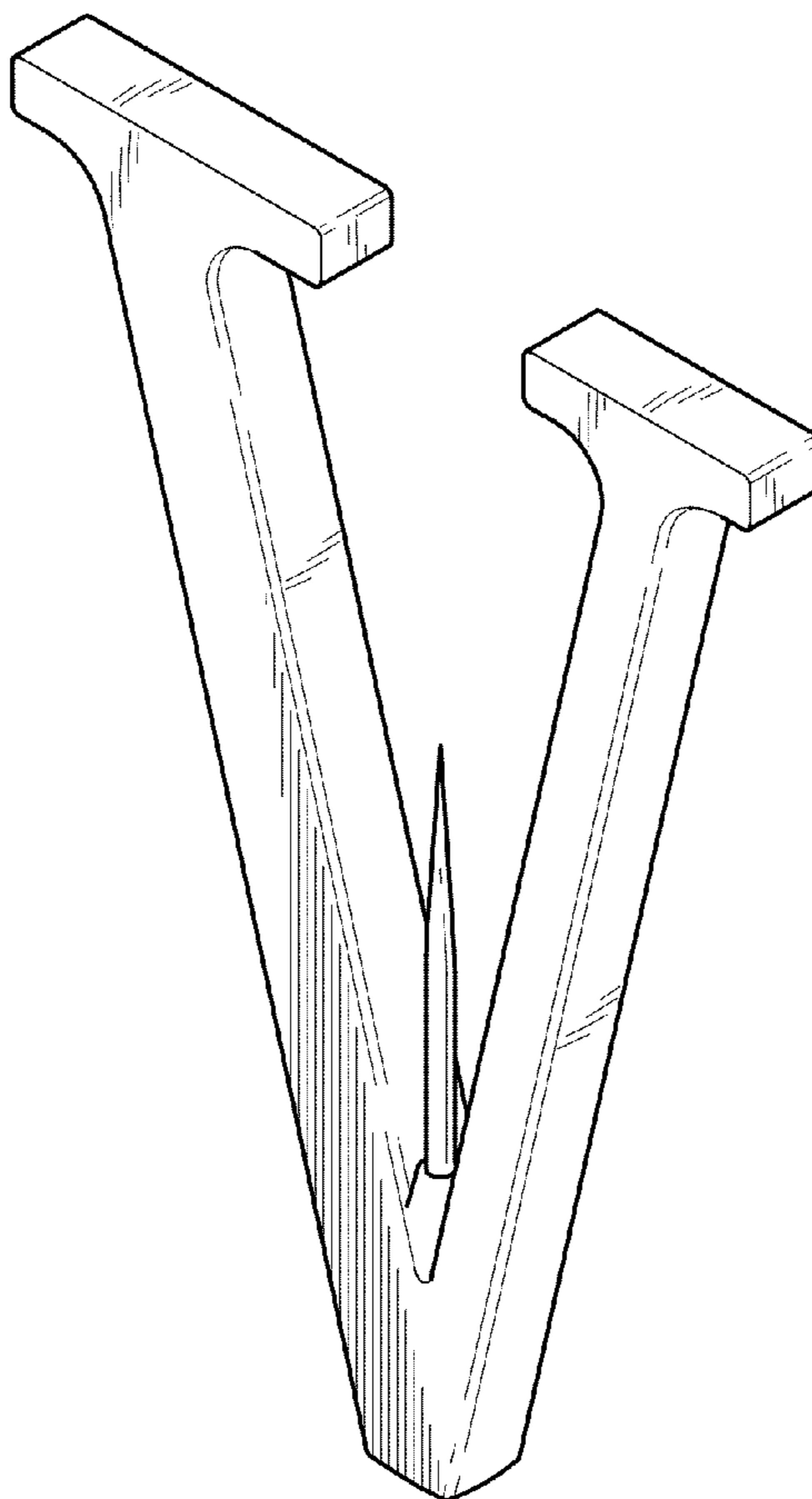
FIG. 3 is a right side elevation view thereof;

FIG. 4 is a left side elevation view thereof;

FIG. 5 is a top plan view thereof; and,

FIG. 6 is a bottom plan view thereof.

1 Claim, 3 Drawing Sheets



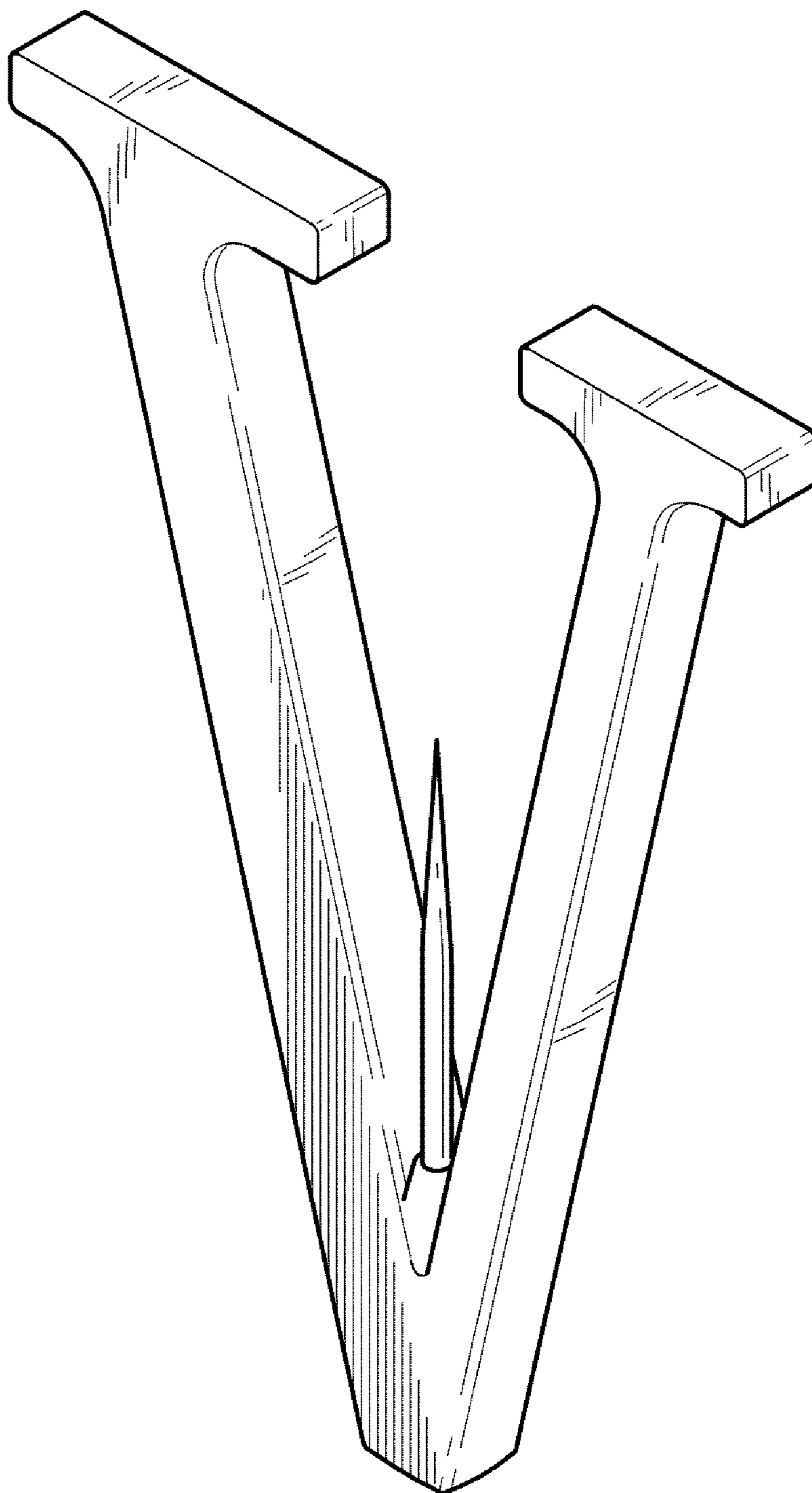


FIG. 1

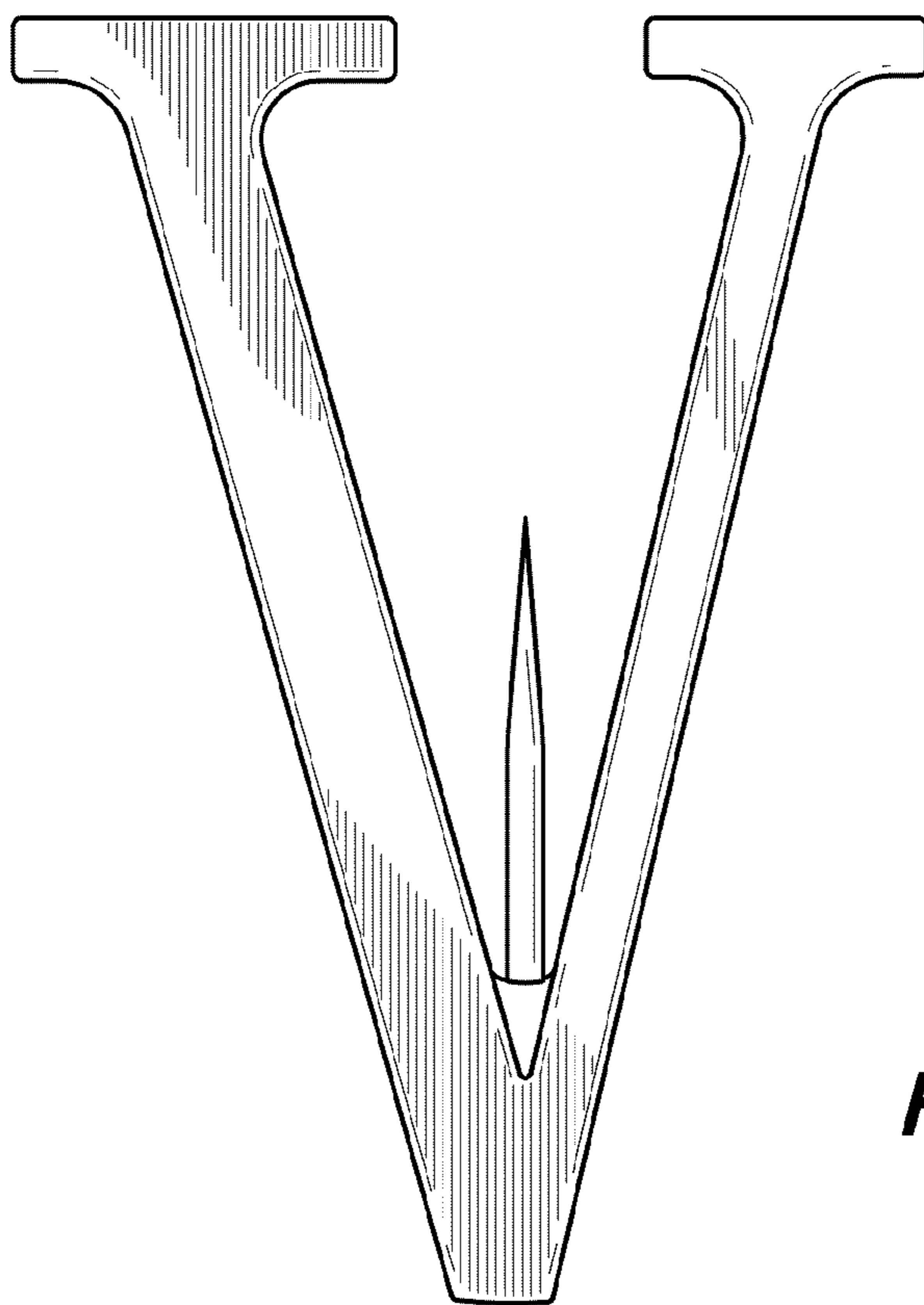


FIG. 2

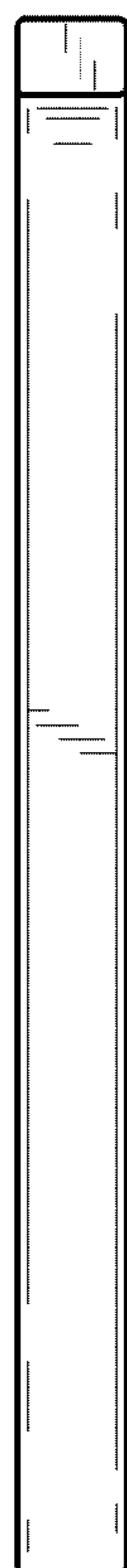


FIG. 3

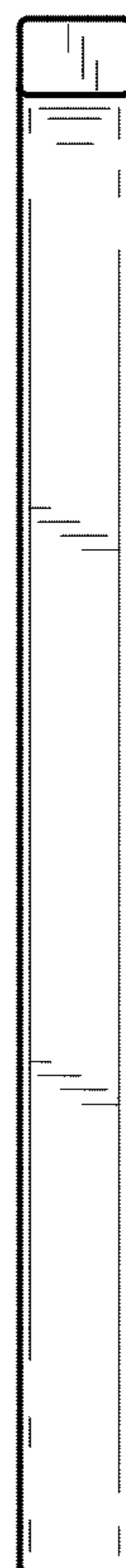


FIG. 4



FIG. 5

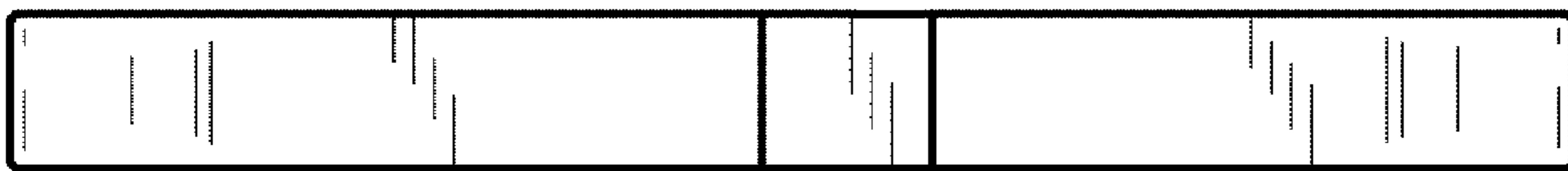


FIG. 6