



US00D627096S

(12) **United States Design Patent**
Cost

(10) **Patent No.:** **US D627,096 S**

(45) **Date of Patent:** **** Nov. 9, 2010**

(54) **BEZEL**

D564,110 S * 3/2008 Huang D26/31
D603,536 S * 11/2009 Tsai et al. D26/31

(75) Inventor: **Evan J. Cost**, Audubon, PA (US)

* cited by examiner

(73) Assignee: **MEI, Inc.**, West Chester, PA (US)

Primary Examiner—Marcus A Jackson
(74) *Attorney, Agent, or Firm*—Fish & Richardson P.C.

(**) Term: **14 Years**

(57) **CLAIM**

(21) Appl. No.: **29/326,312**

The ornamental design for a bezel, substantially as shown and described.

(22) Filed: **Oct. 15, 2008**

(51) **LOC (9) Cl.** **26-99**

(52) **U.S. Cl.** **D26/139; D26/31**

(58) **Field of Classification Search** D26/28–36,
D26/139; 362/459–468, 475–478, 485–487
See application file for complete search history.

DESCRIPTION

FIG. 1 is a perspective view of the bezel;
FIG. 2 is a front view thereof;
FIG. 3 is a rear view thereof;
FIG. 4 is a right side view thereof;
FIG. 5 is a left side view thereof;
FIG. 6 is a top view thereof; and,
FIG. 7 is a bottom view thereof.

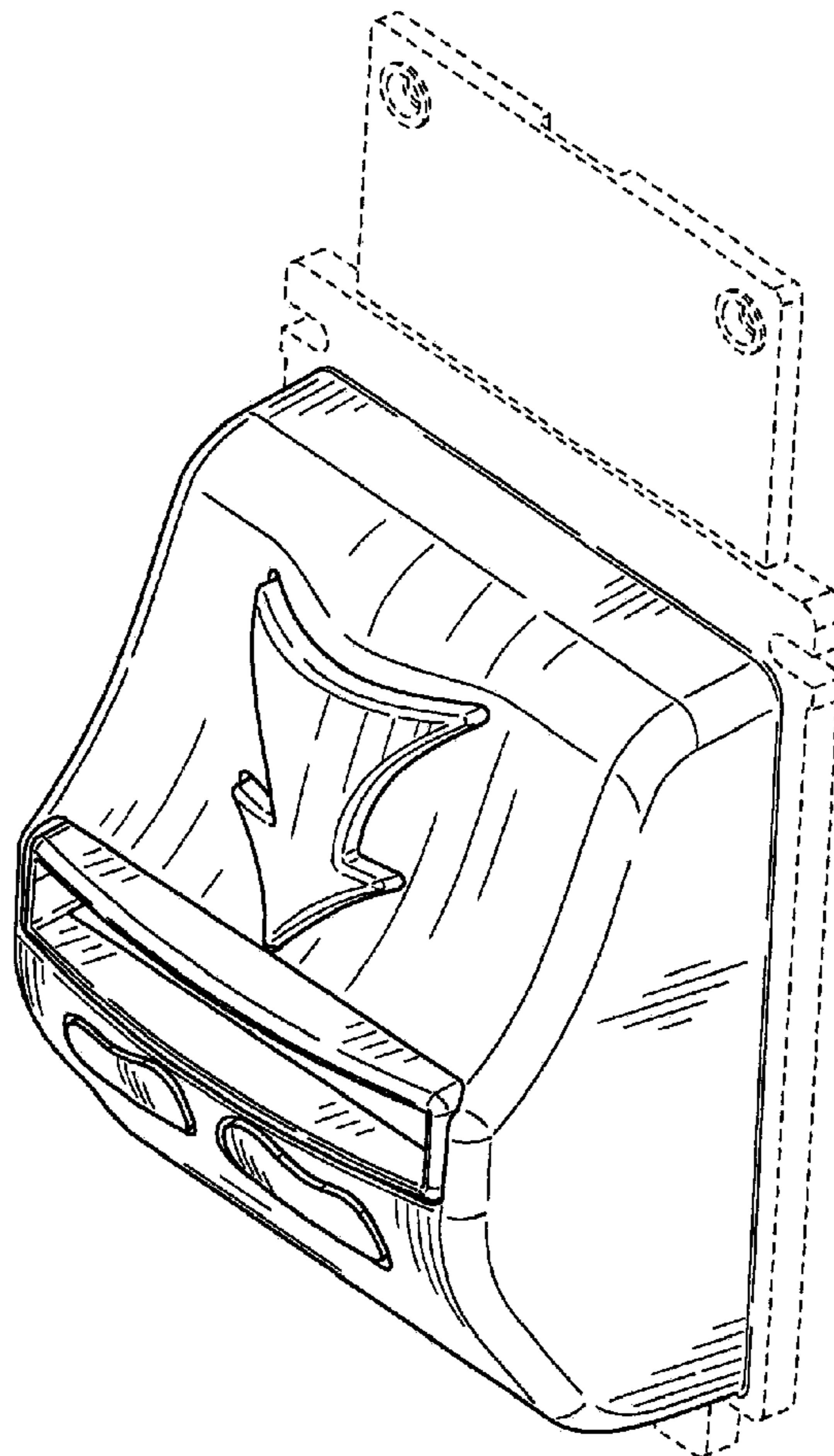
The broken lines in the drawings form no part of the claimed design.

(56) **References Cited**

U.S. PATENT DOCUMENTS

D320,666 S * 10/1991 Brandon D26/31
D533,678 S * 12/2006 Conrad D26/139
D549,387 S * 8/2007 Special et al. D26/139

1 Claim, 4 Drawing Sheets



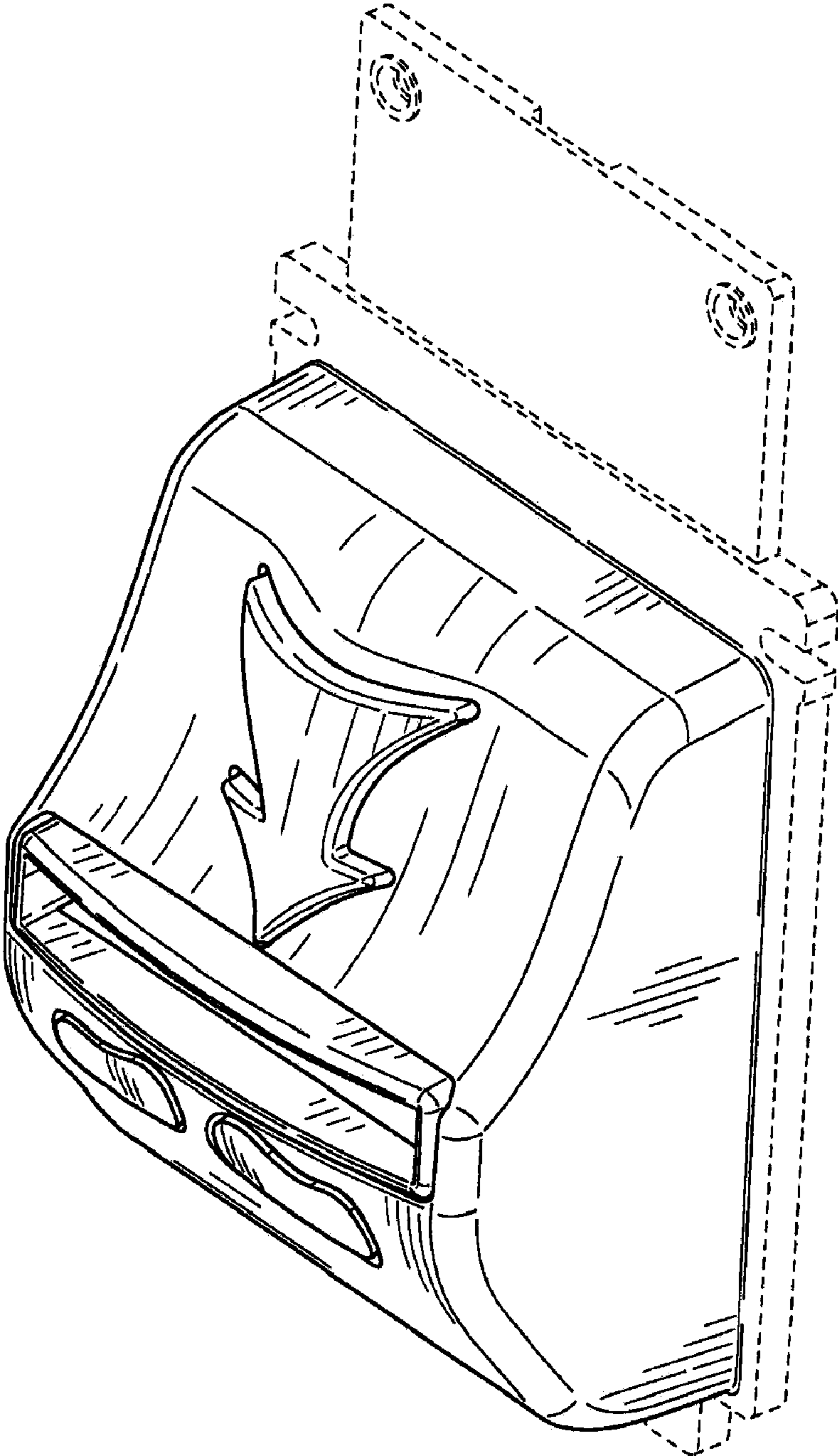


FIG. 1

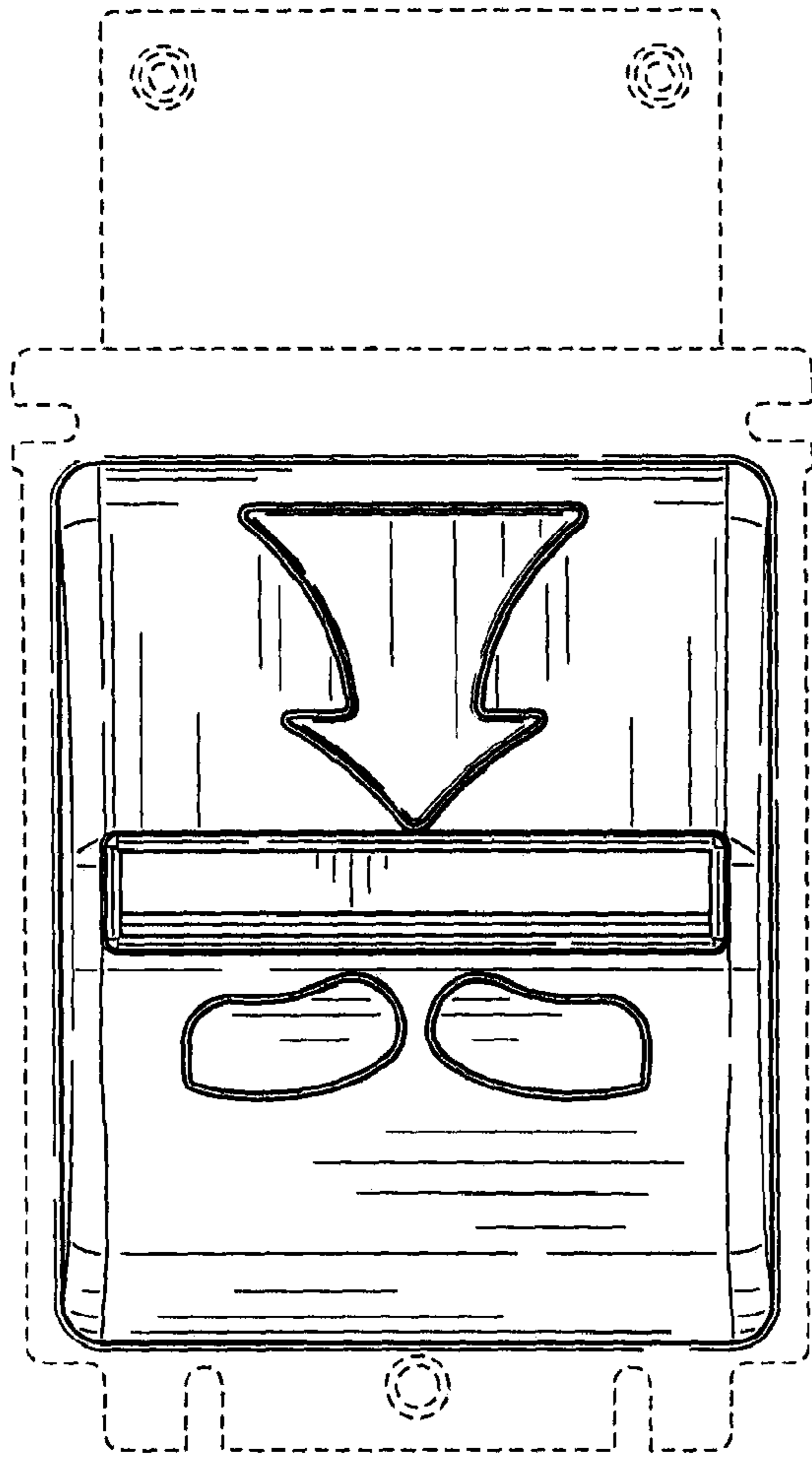


FIG. 2

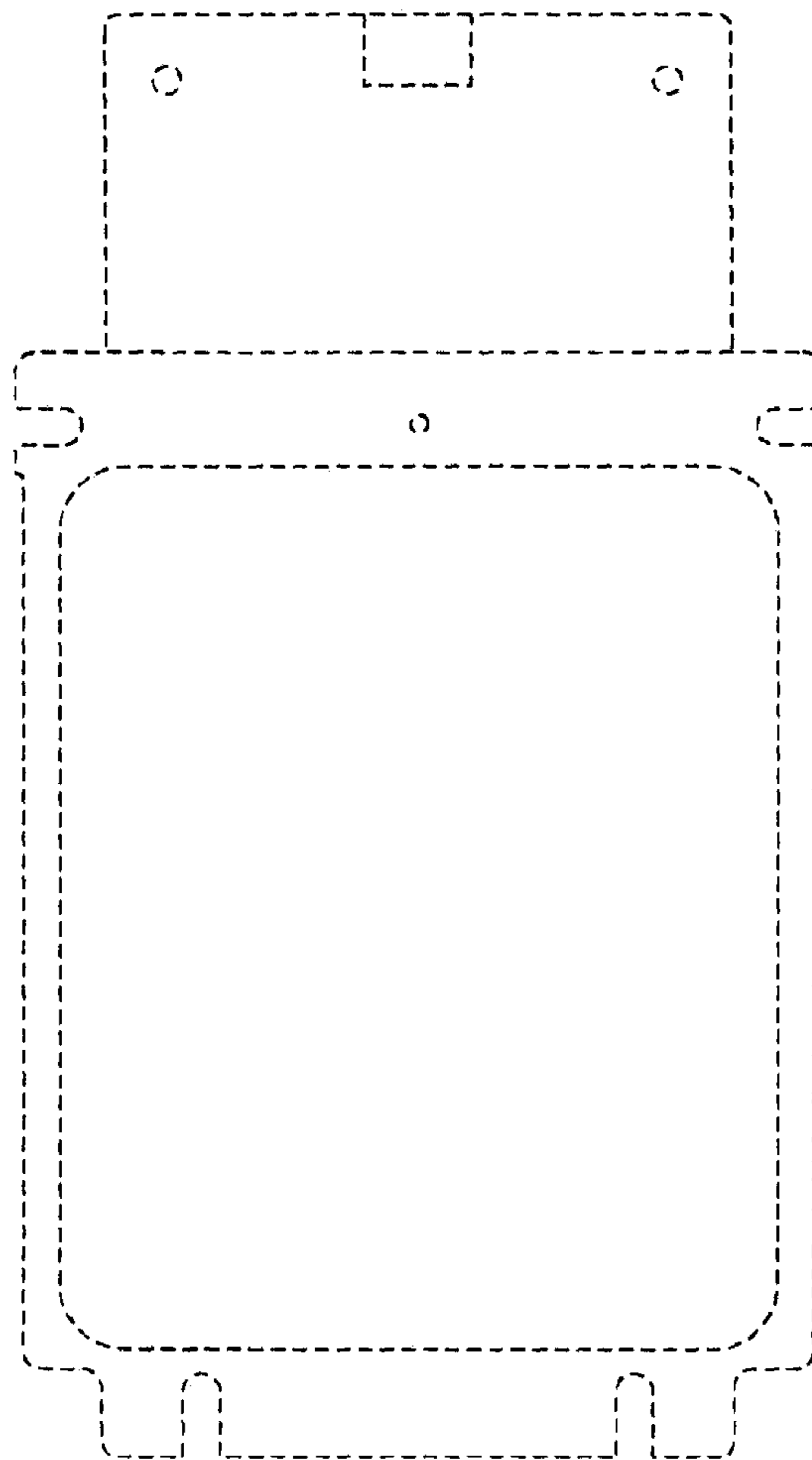


FIG. 3

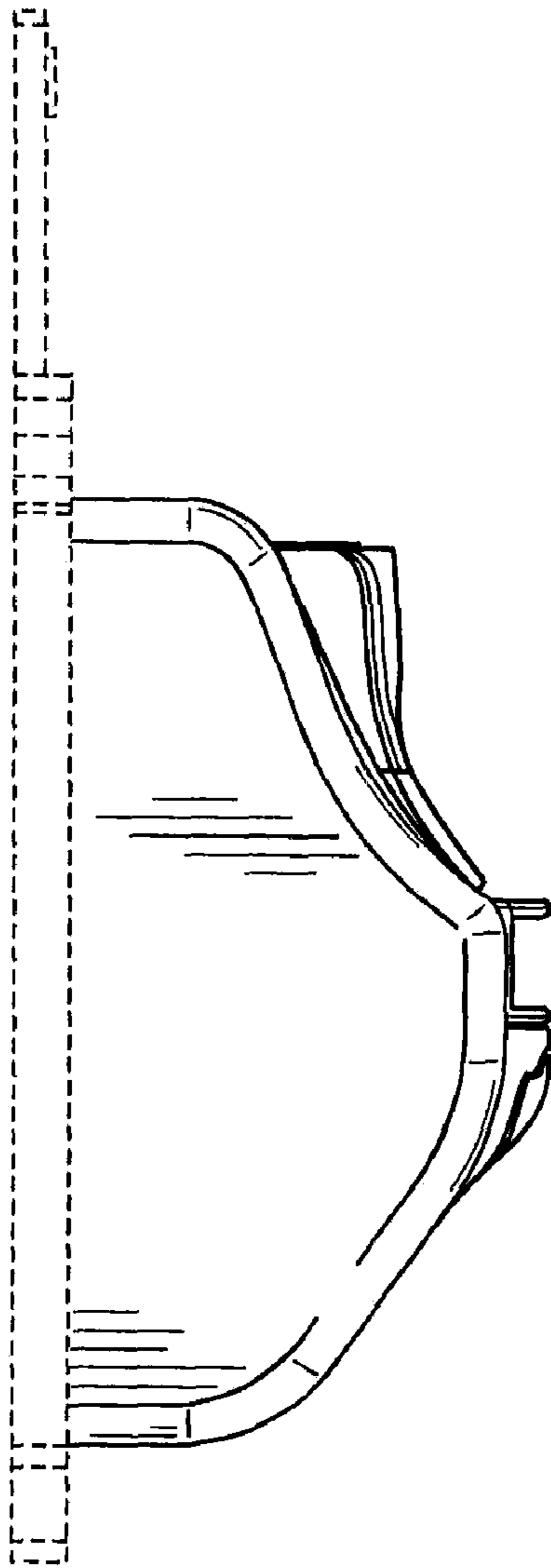


FIG. 4

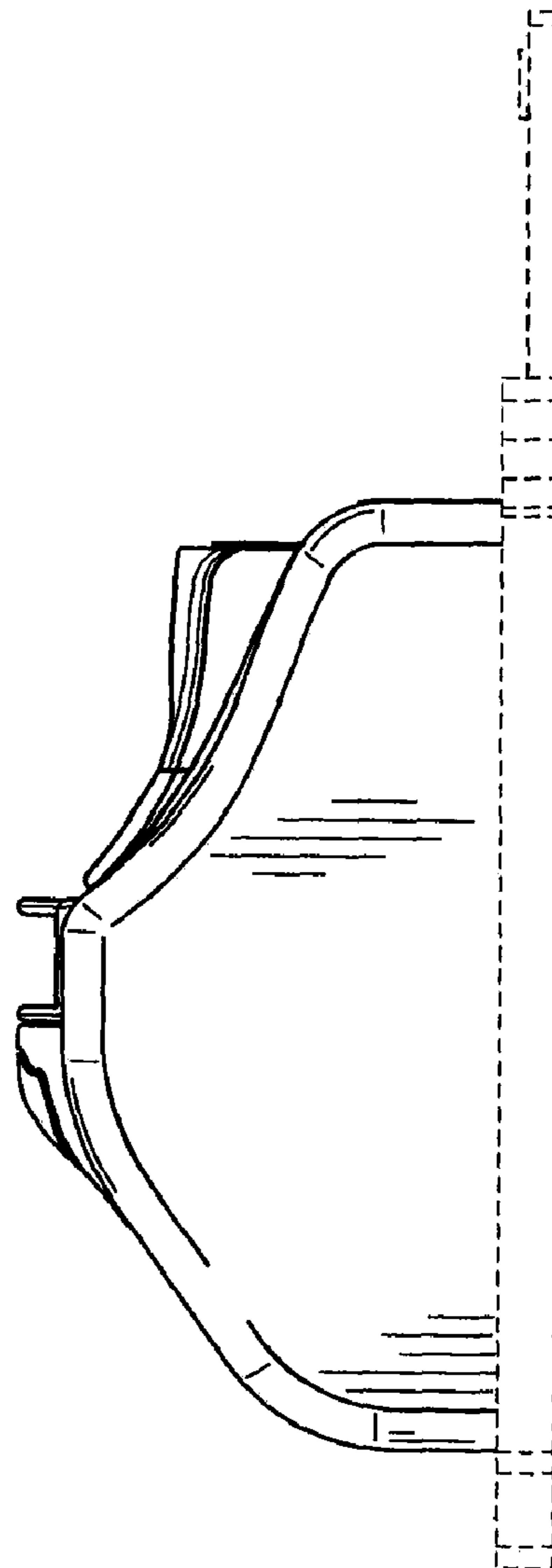


FIG. 5

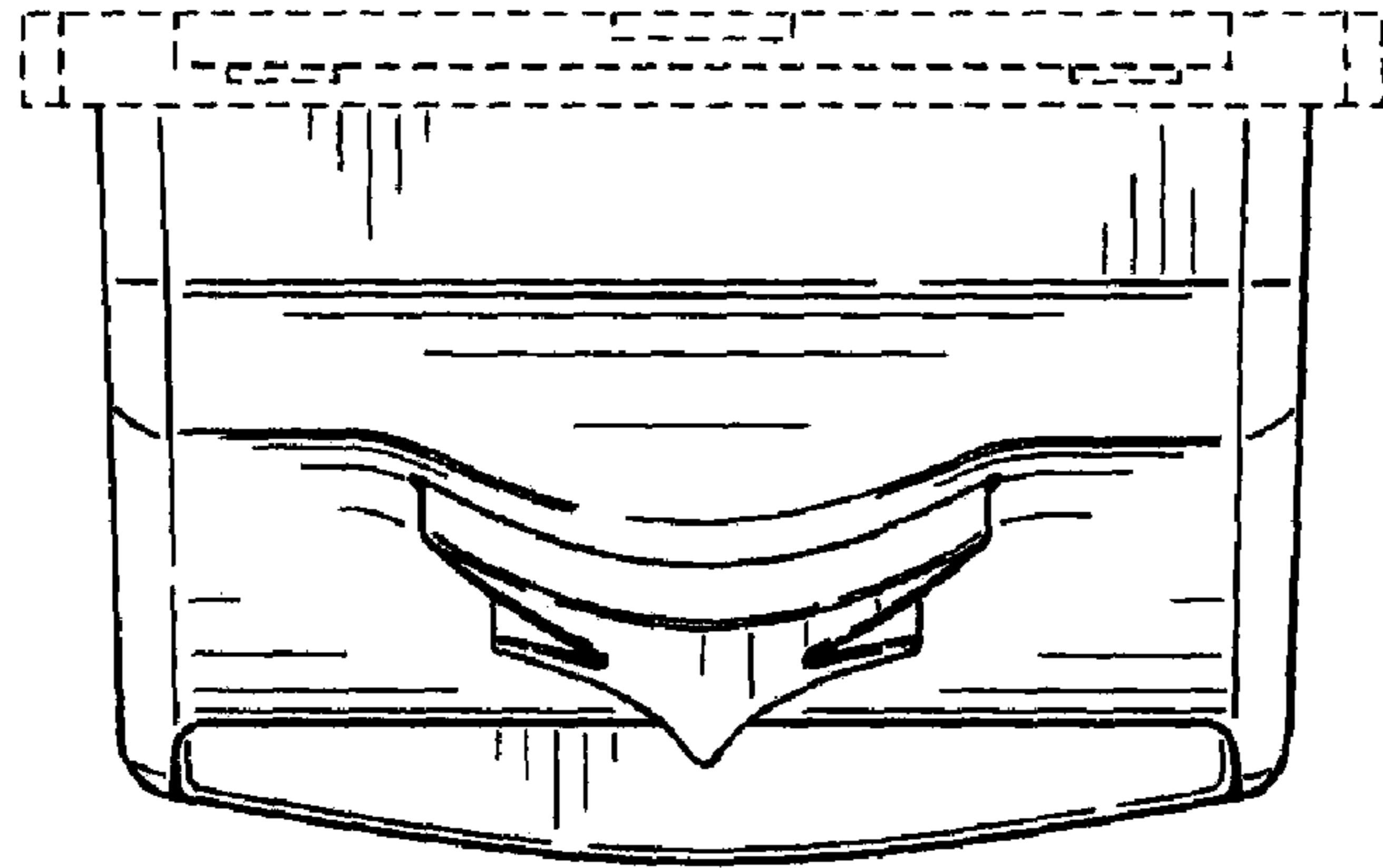


FIG. 6

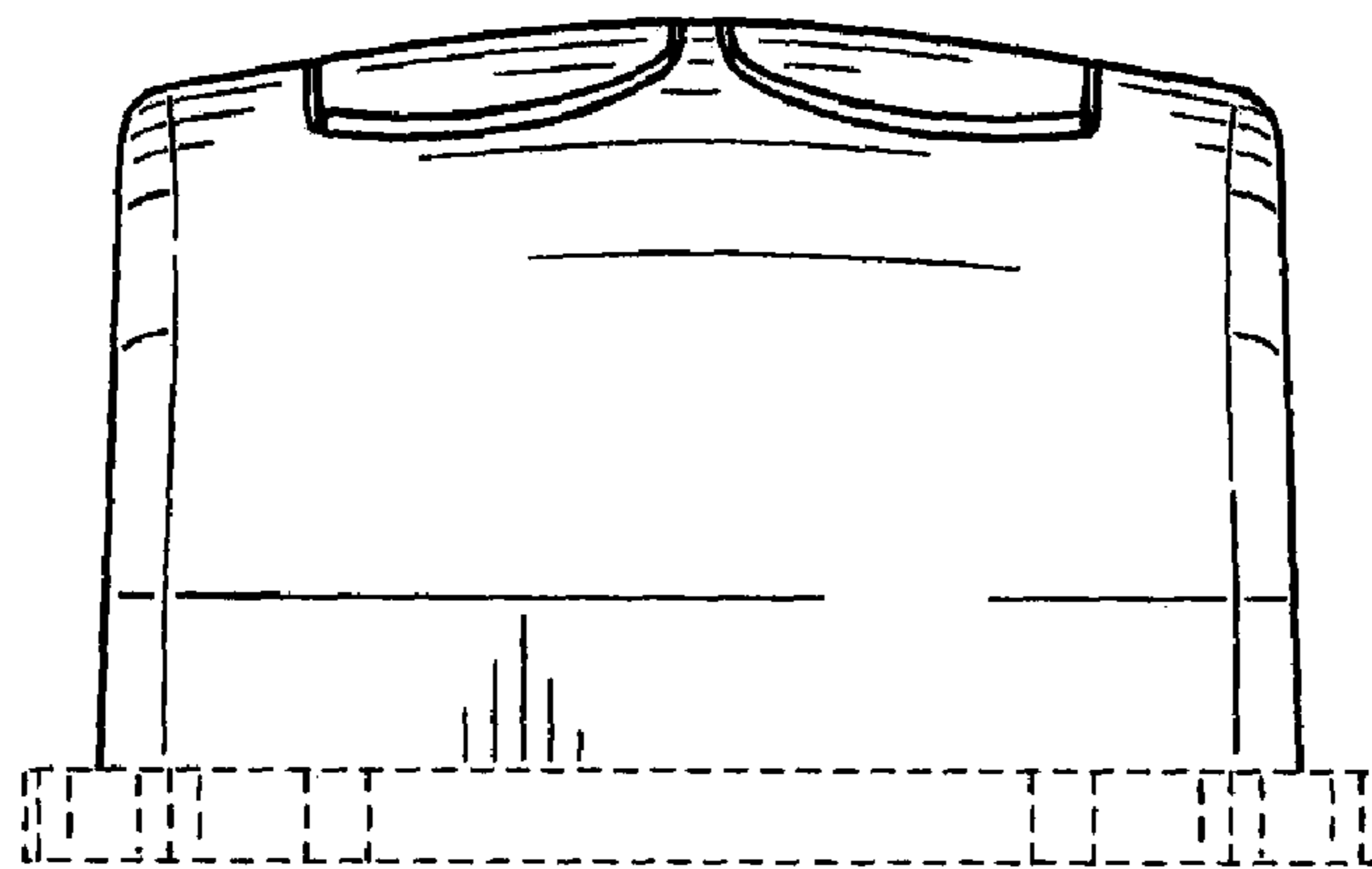


FIG. 7