



US00D627093S

(12) **United States Design Patent**
Shiau et al.

(10) **Patent No.:** **US D627,093 S**

(45) **Date of Patent:** **** Nov. 9, 2010**

(54) **LED STREETLIGHT HOUSING**

(75) Inventors: **Fuh-Yuarn Shiau**, Hsinchu (TW);
Chin-Chun Wu, Sihu Township, Yunlin
County (TW)

(73) Assignee: **Thermoshuttle Co., Ltd.**, Tao Yuan
(TW)

(**) Term: **14 Years**

(21) Appl. No.: **29/352,615**

(22) Filed: **Dec. 23, 2009**

(30) **Foreign Application Priority Data**

Sep. 7, 2009 (TW) 98304205

(51) **LOC (9) Cl.** **26-05**

(52) **U.S. Cl.** **D26/71**

(58) **Field of Classification Search** D26/67-71,
D26/85, 92; 362/145, 183, 231, 240, 249.02,
362/249.03, 249.04, 249.06, 249.16, 373,
362/431

See application file for complete search history.

(56) **References Cited**

U.S. PATENT DOCUMENTS

D198,183 S * 5/1964 Akely D26/71
D199,327 S * 10/1964 Guth, Jr. D26/72
D447,590 S * 9/2001 Raouf et al. D26/71
D573,741 S * 7/2008 Lou D26/71

D603,077 S * 10/2009 Kinnune et al. D26/71
D612,090 S * 3/2010 Yu D26/92
D615,233 S * 5/2010 Josefowicz et al. D26/71
D617,033 S * 6/2010 Gaskins D26/85
7,771,087 B2 * 8/2010 Wilcox et al. 362/294
2009/0251898 A1 * 10/2009 Kinnune et al. 362/249.02
2010/0085751 A1 * 4/2010 Shaner 362/249.02

* cited by examiner

Primary Examiner—Clare E Heflin

(74) *Attorney, Agent, or Firm*—Thomas, Kayden,
Horstemeyer & Risley, LLP

(57) **CLAIM**

The ornamental design for LED streetlight housing, as shown
and described.

DESCRIPTION

FIG. 1 is a top perspective view of an LED streetlight housing
showing our new design;

FIG. 2 is a bottom perspective view thereof;

FIG. 3 is a left side view thereof;

FIG. 4 is a right side view thereof;

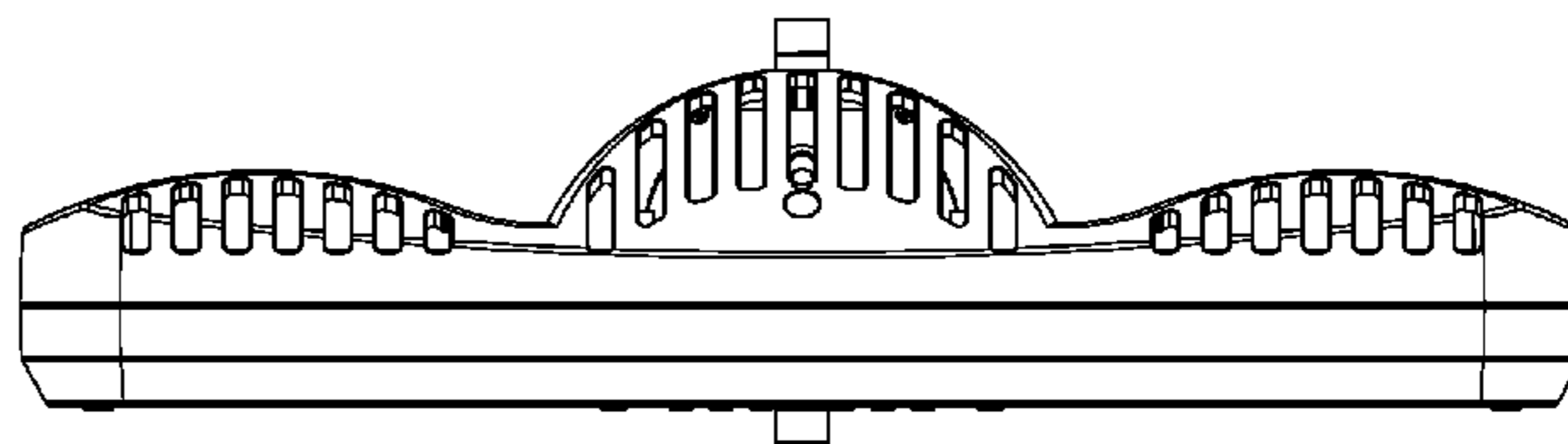
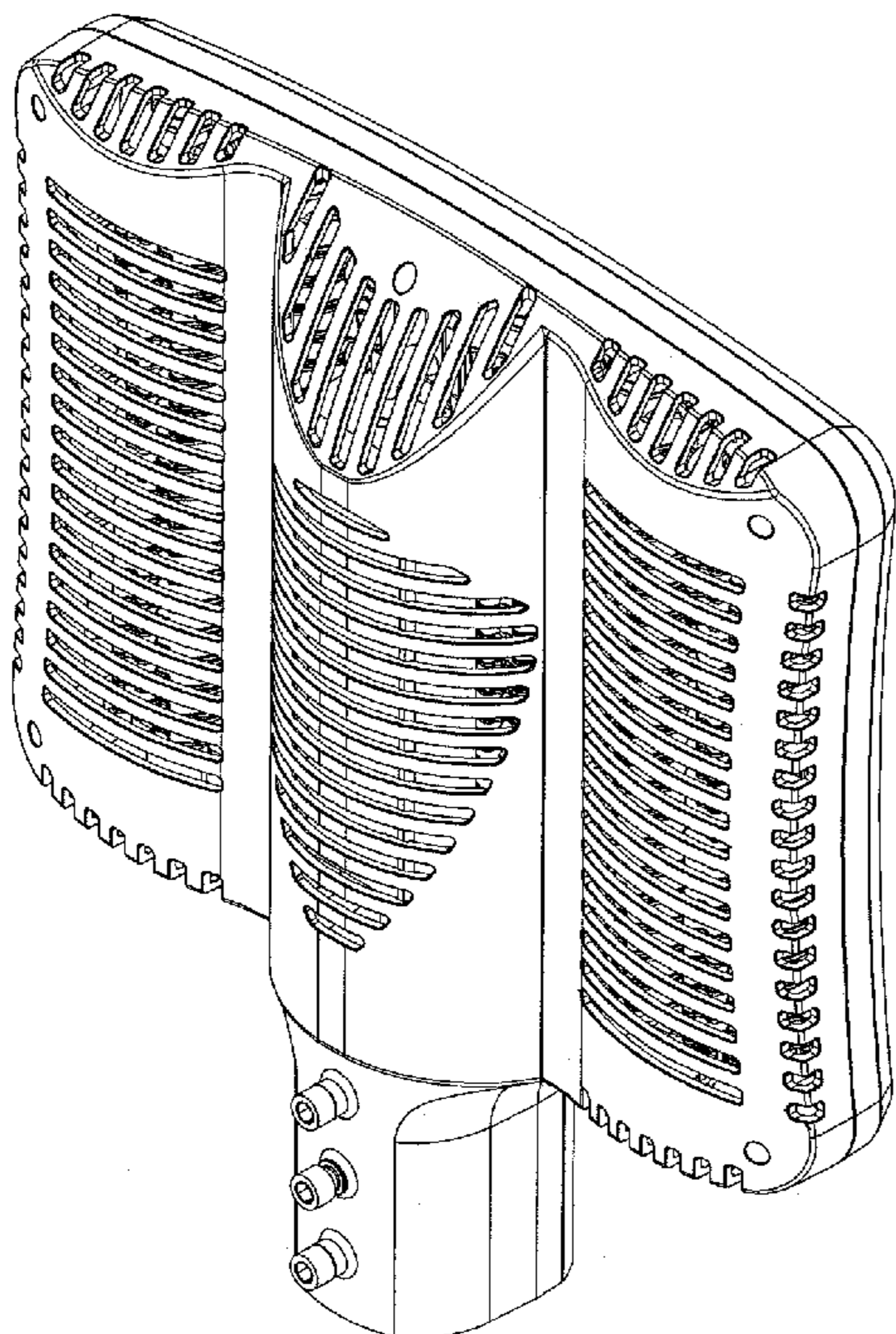
FIG. 5 is a rear elevational view thereof;

FIG. 6 is a front elevational view thereof;

FIG. 7 is a top view thereof; and,

FIG. 8 is a bottom view thereof.

1 Claim, 7 Drawing Sheets



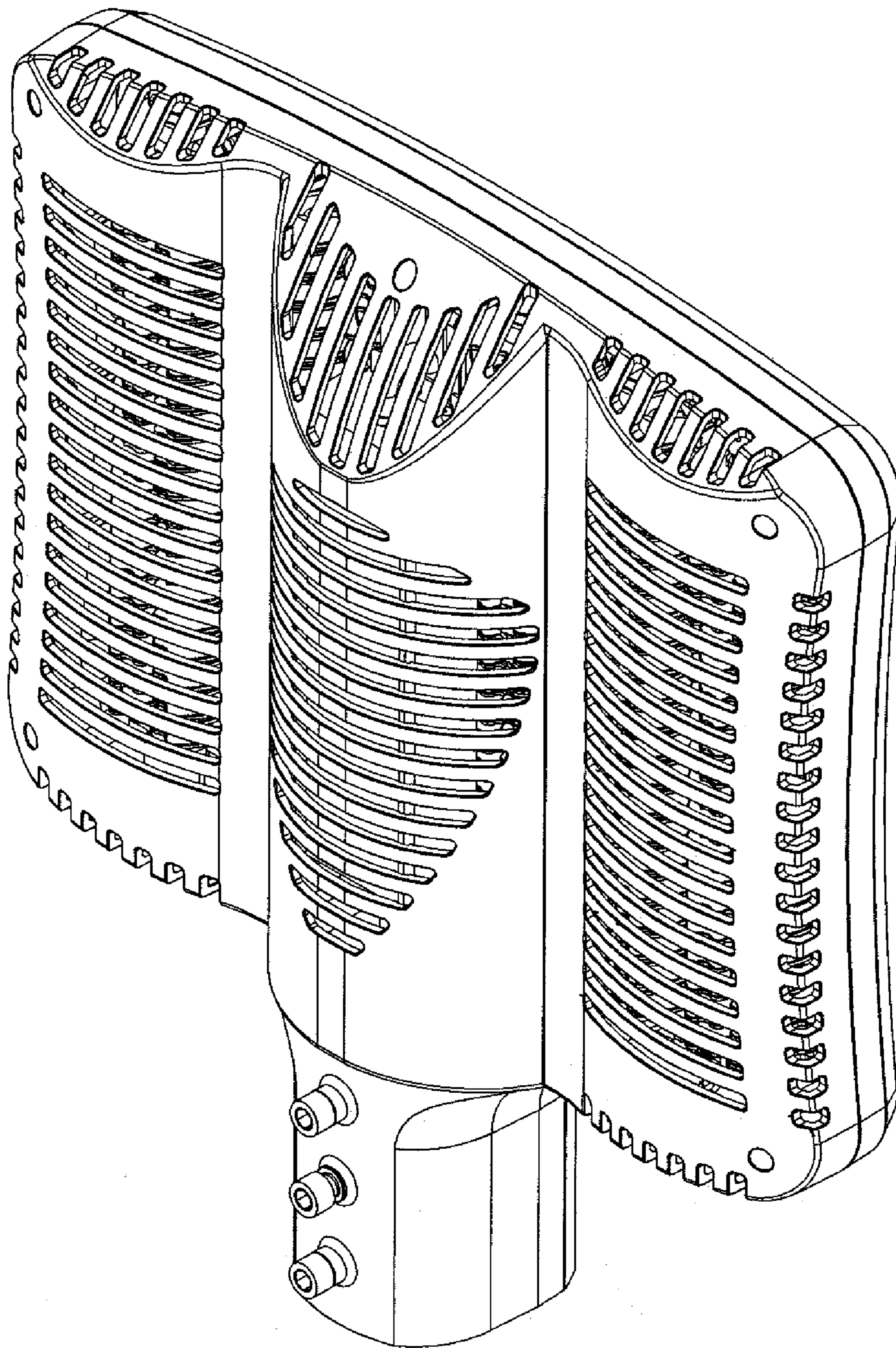


FIG. 1

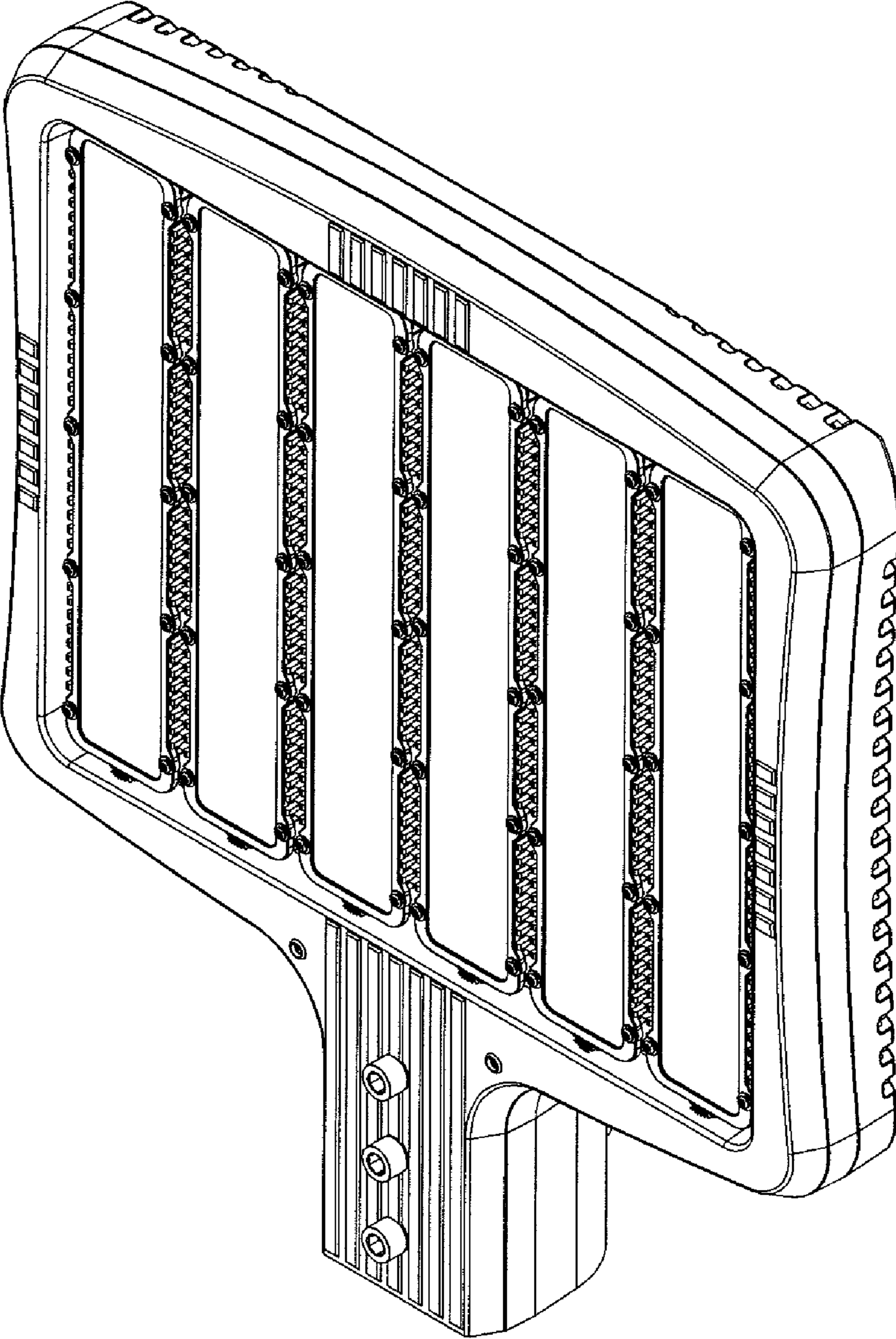


FIG. 2

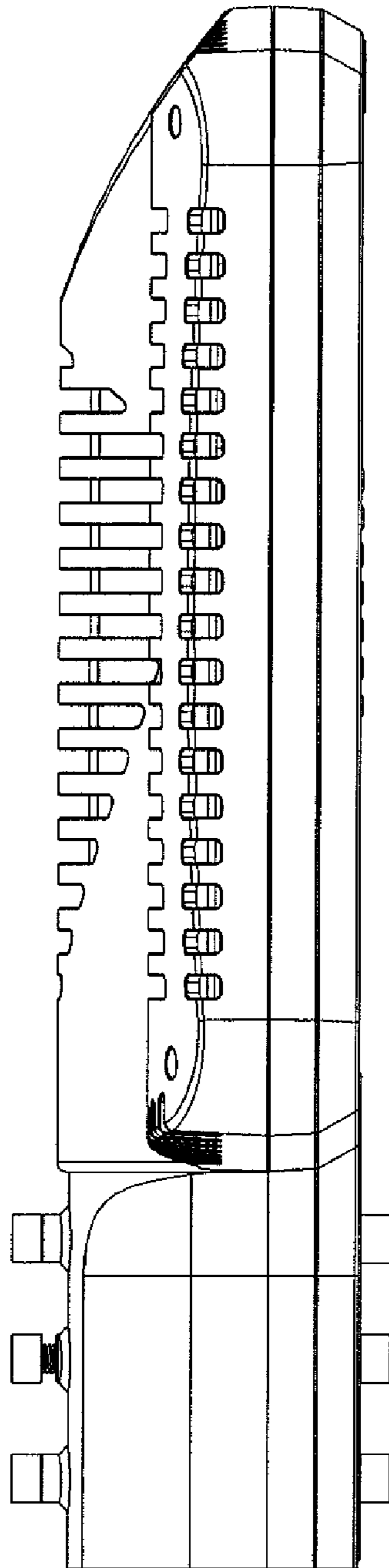


FIG. 3

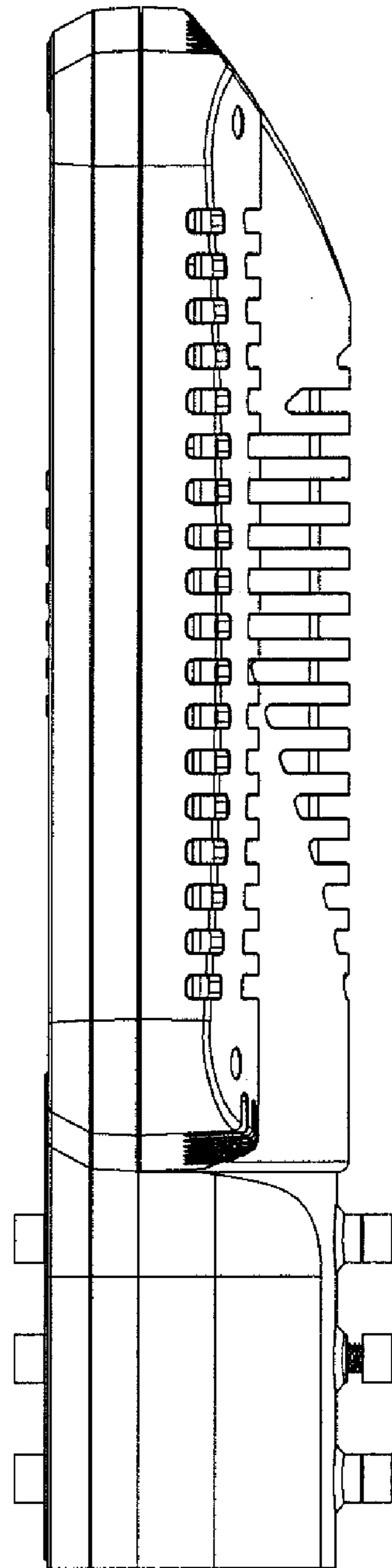


FIG. 4

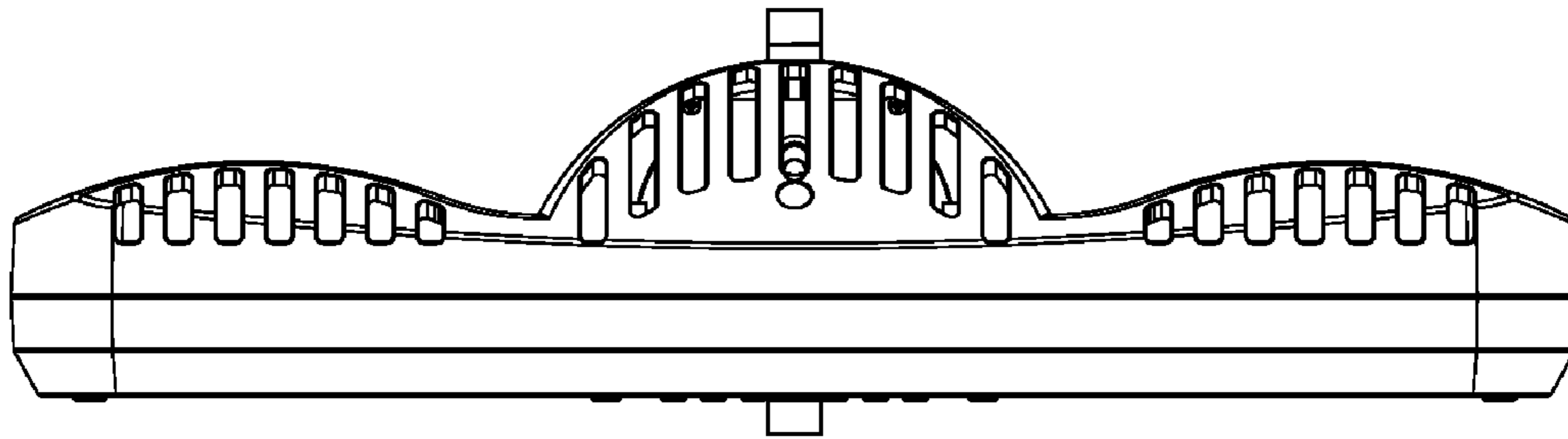


FIG. 5

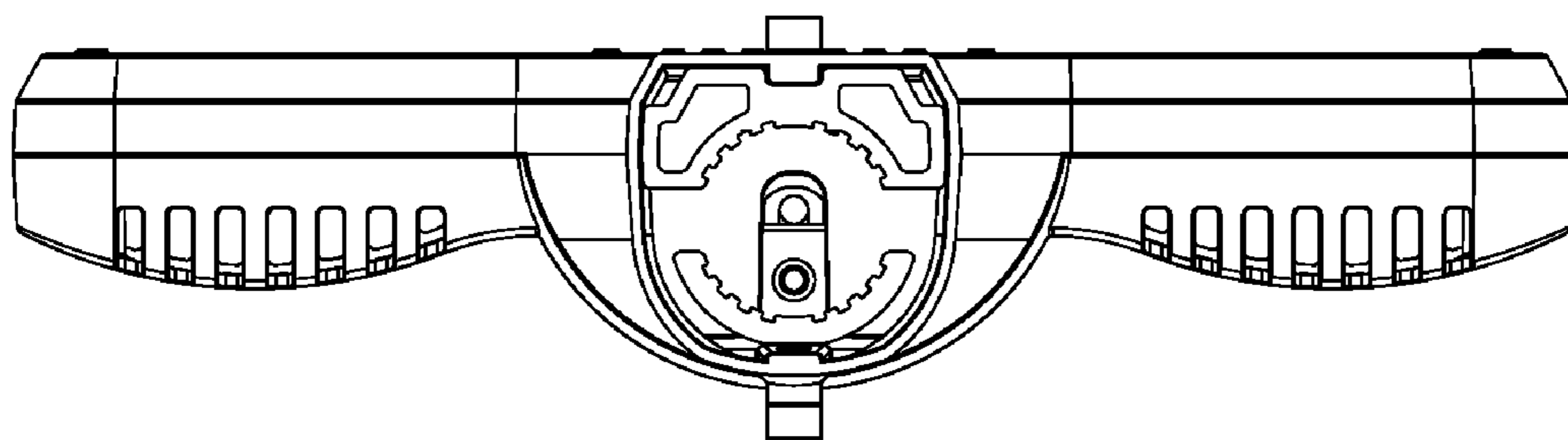


FIG. 6

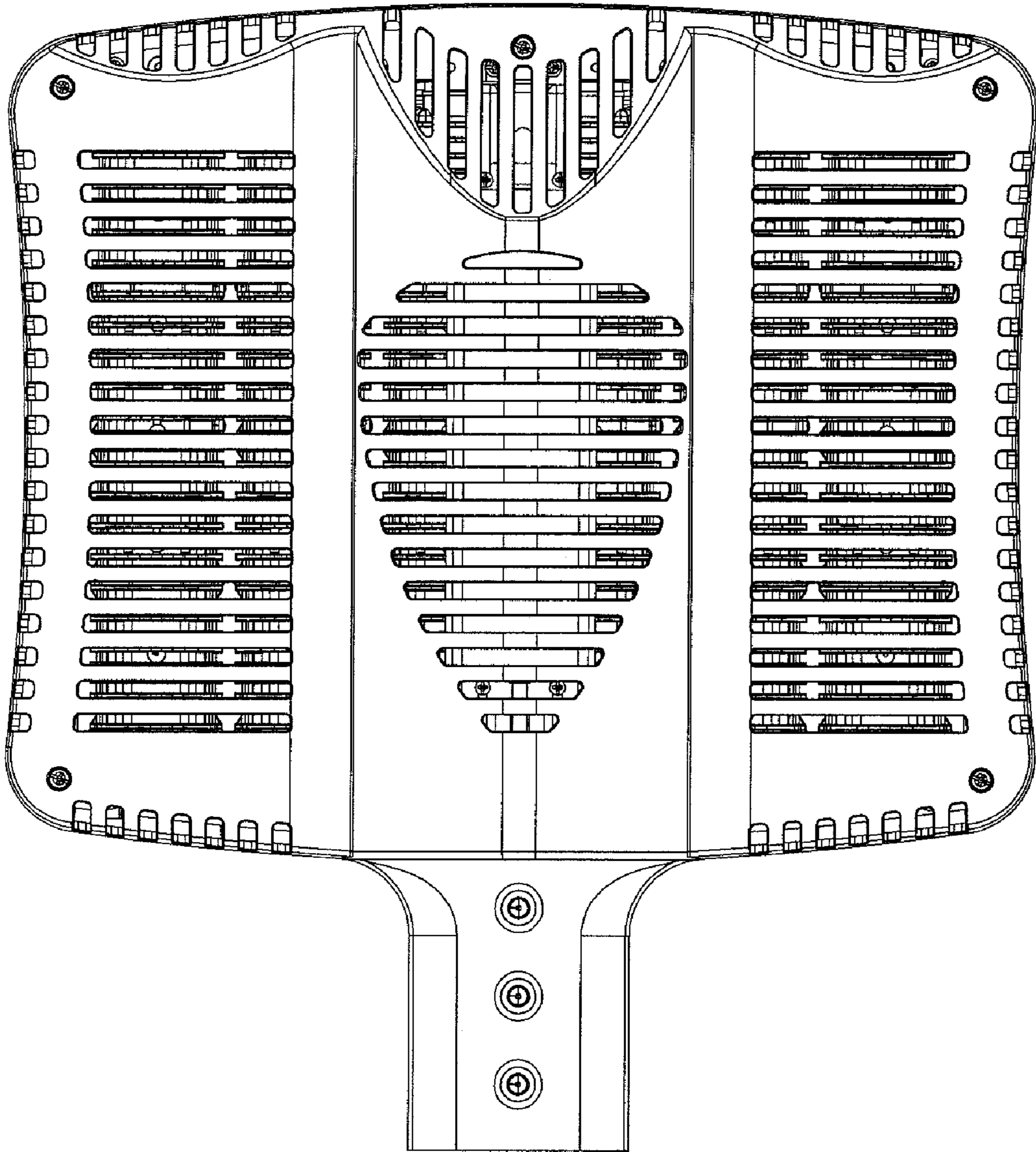


FIG. 7

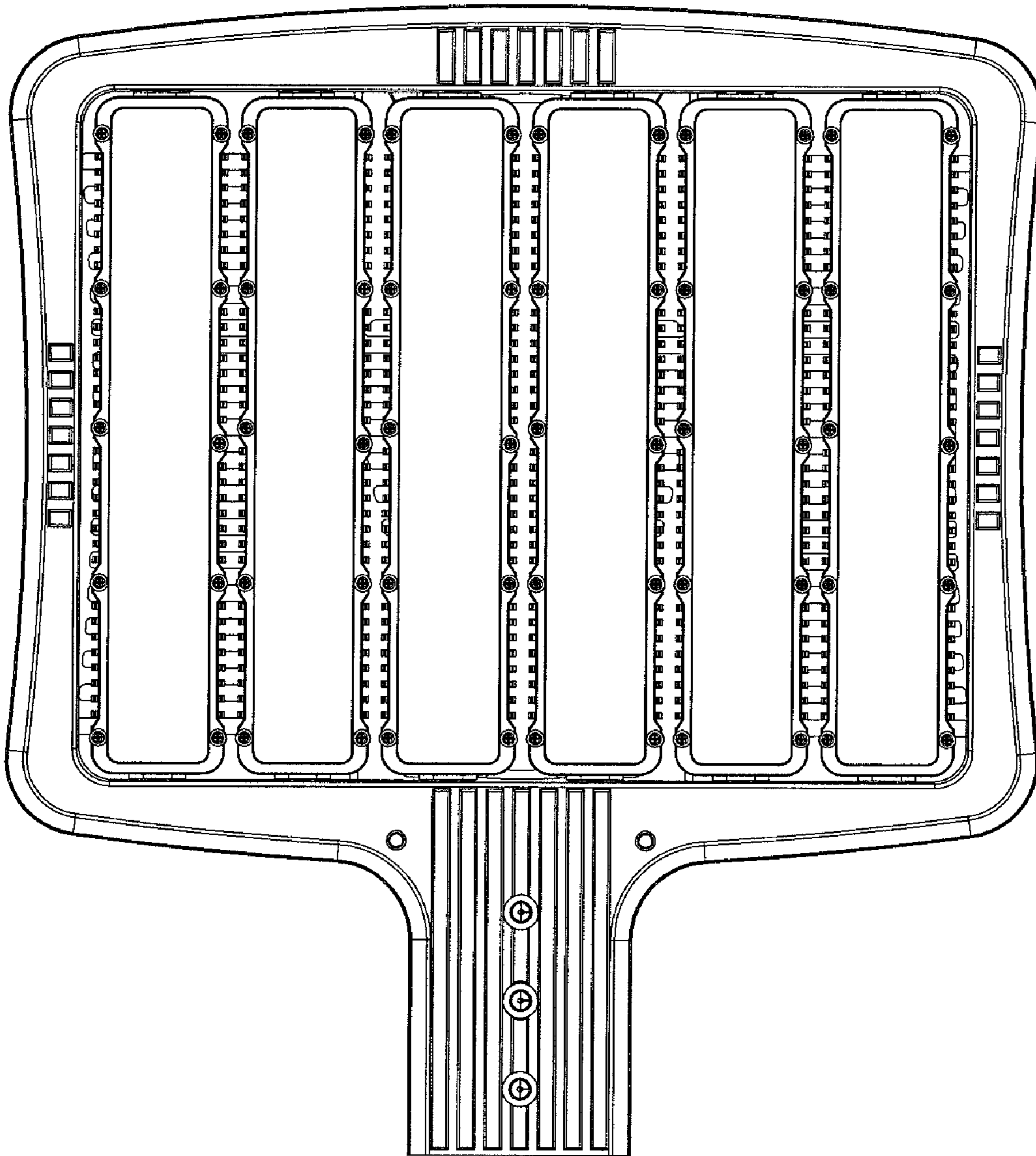


FIG. 8