



US00D627089S

(12) **United States Design Patent**  
**Loibl**

(10) **Patent No.:** **US D627,089 S**

(45) **Date of Patent:** **\*\* Nov. 9, 2010**

(54) **LIGHT**

2010/0039801 A1\* 2/2010 Pelletier et al. .... 362/184

(75) Inventor: **Byron N. Loibl**, Wichita, KS (US)

\* cited by examiner

(73) Assignee: **The Coleman Company, Inc.**, Wichita, KS (US)

*Primary Examiner*—Charles A Rademaker

*Assistant Examiner*—Carissa C Fitts

(74) *Attorney, Agent, or Firm*—Kelly S. Elsea

(\*\*) Term: **14 Years**

(21) Appl. No.: **29/354,722**

(57) **CLAIM**

The ornamental design for a light, as shown and described.

(22) Filed: **Jan. 27, 2010**

**DESCRIPTION**

(51) **LOC (9) Cl.** ..... **26-02**

(52) **U.S. Cl.** ..... **D26/40; D26/38**

(58) **Field of Classification Search** ..... D26/37,  
D26/38, 40, 41, 42; 362/103, 104, 105, 106,  
362/108, 157, 158, 174, 183, 184, 190, 191,  
362/200–208, 253

See application file for complete search history.

FIG. 1 is a front perspective view of a light showing my new design;

FIG. 2 is a front elevation view thereof;

FIG. 3 is a rear elevation view thereof;

FIG. 4 is a left side elevation view thereof;

FIG. 5 is a right side elevation view thereof;

FIG. 6 is a top plan view thereof;

FIG. 7 is a bottom plan view thereof; and,

FIG. 8 is a front side perspective view thereof, shown with a removable light in the dis-engaged position.

The broken line showing is for illustrative purposes only and forms no part of the claimed design.

(56) **References Cited**

**U.S. PATENT DOCUMENTS**

|              |         |           |       |         |
|--------------|---------|-----------|-------|---------|
| D576,756 S * | 9/2008  | DeBrunner | ..... | D26/40  |
| D606,685 S * | 12/2009 | Holsinger | ..... | D26/40  |
| D608,920 S * | 1/2010  | Loibl     | ..... | D26/40  |
| D610,283 S * | 2/2010  | Loibl     | ..... | D26/40  |
| D612,084 S * | 3/2010  | Hillard   | ..... | D26/40  |
| D612,979 S * | 3/2010  | Holsinger | ..... | D26/138 |
| D617,480 S * | 6/2010  | DeBrunner | ..... | D26/40  |

**1 Claim, 4 Drawing Sheets**

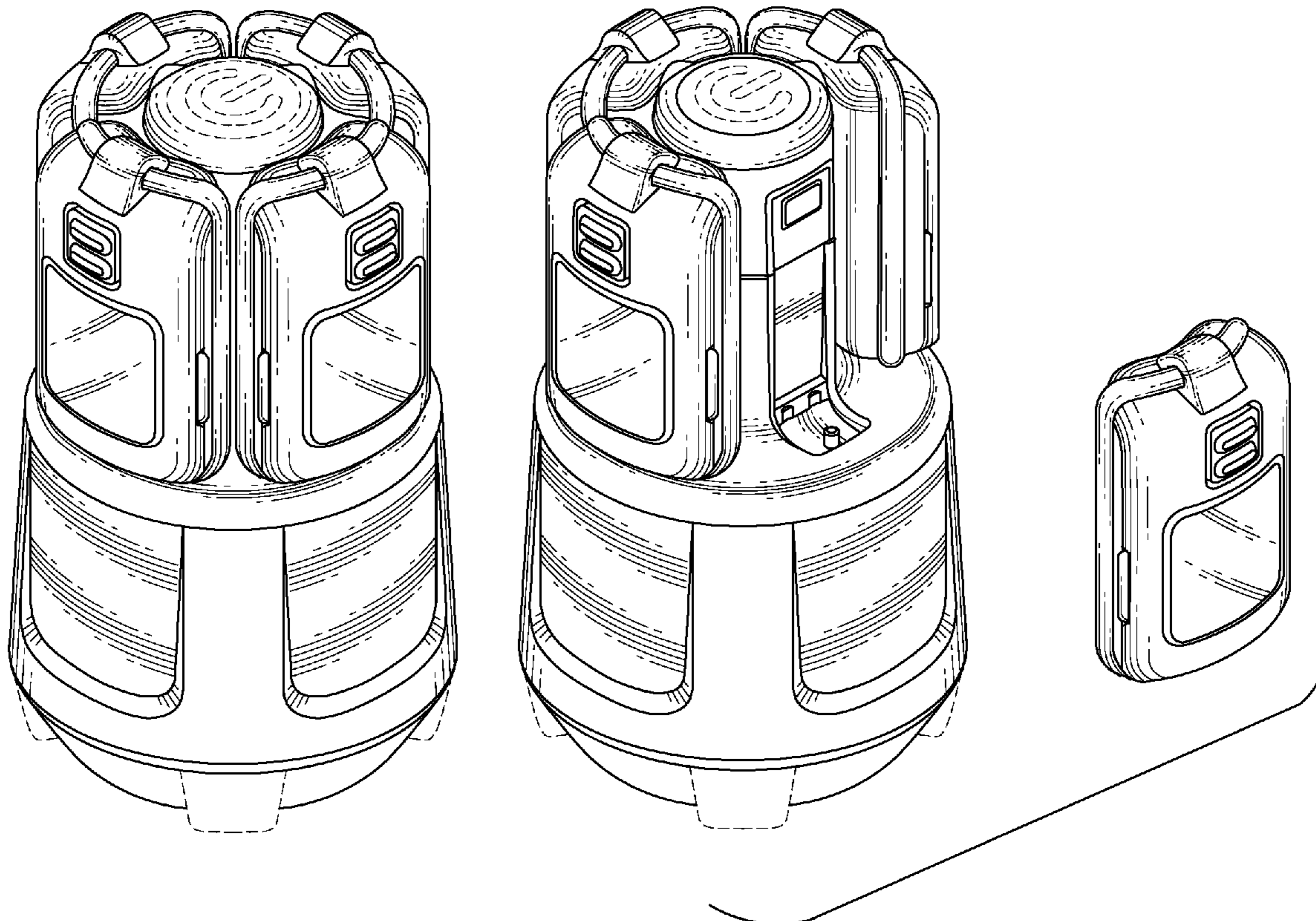


FIG. 1

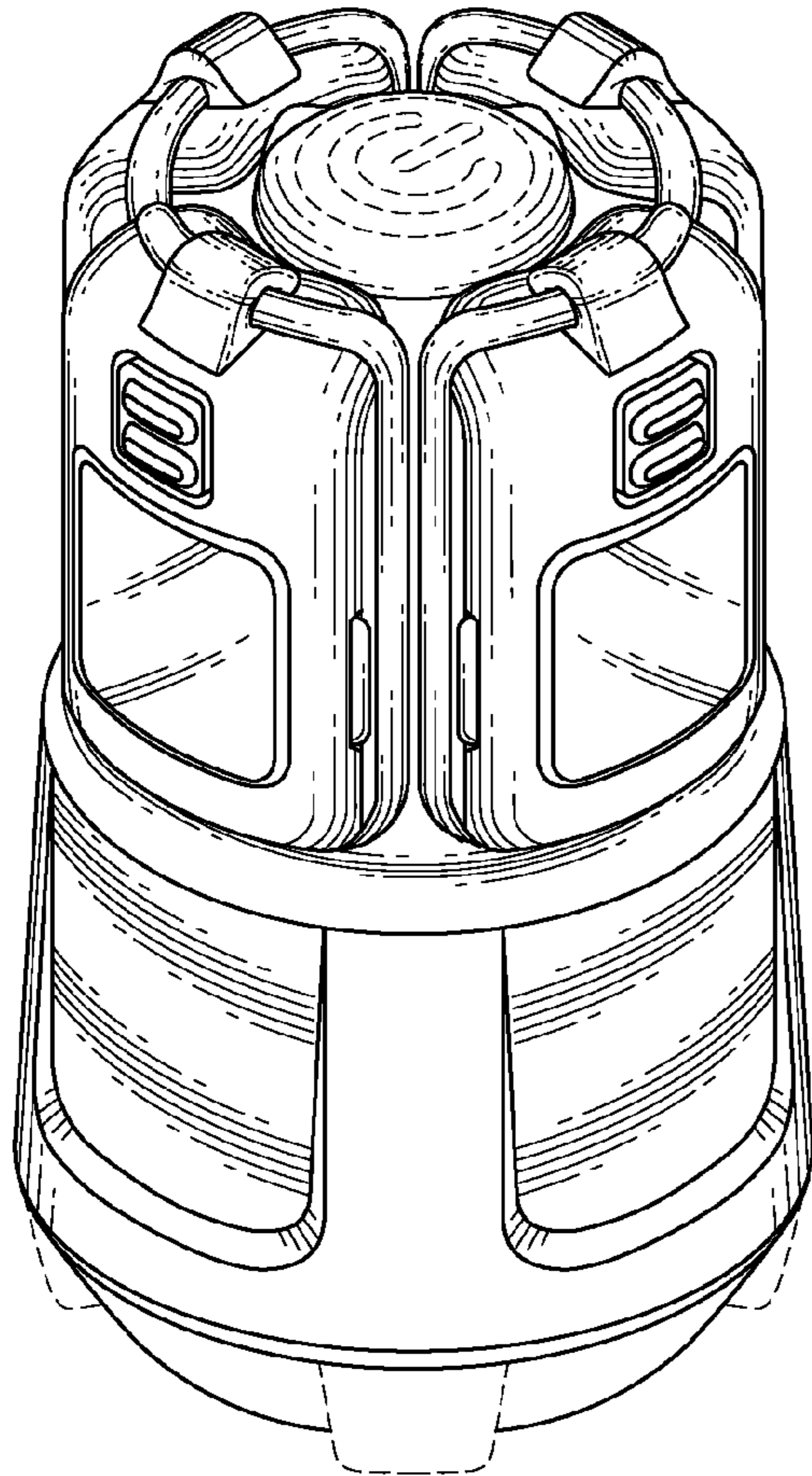


FIG. 6

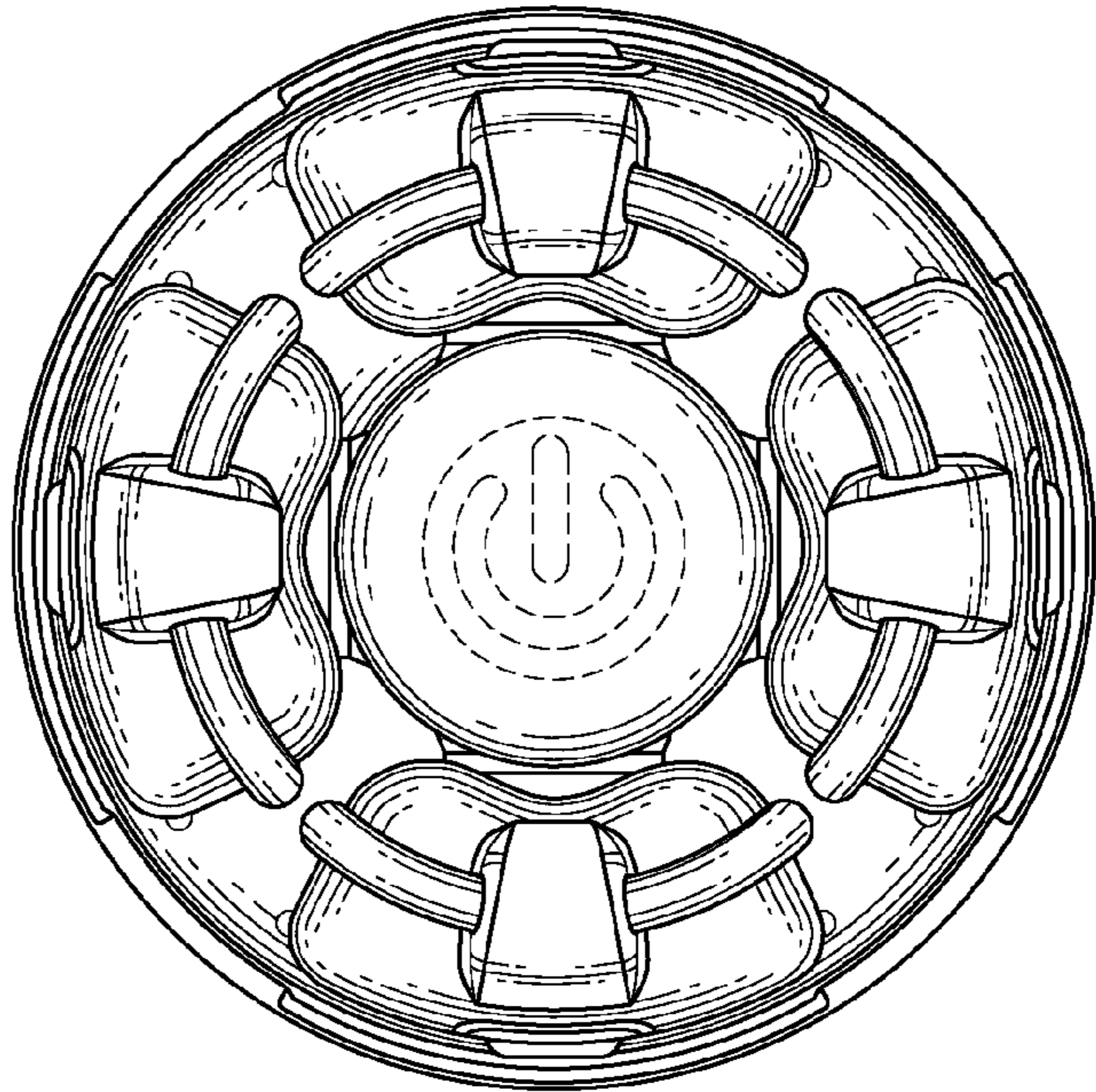


FIG. 7

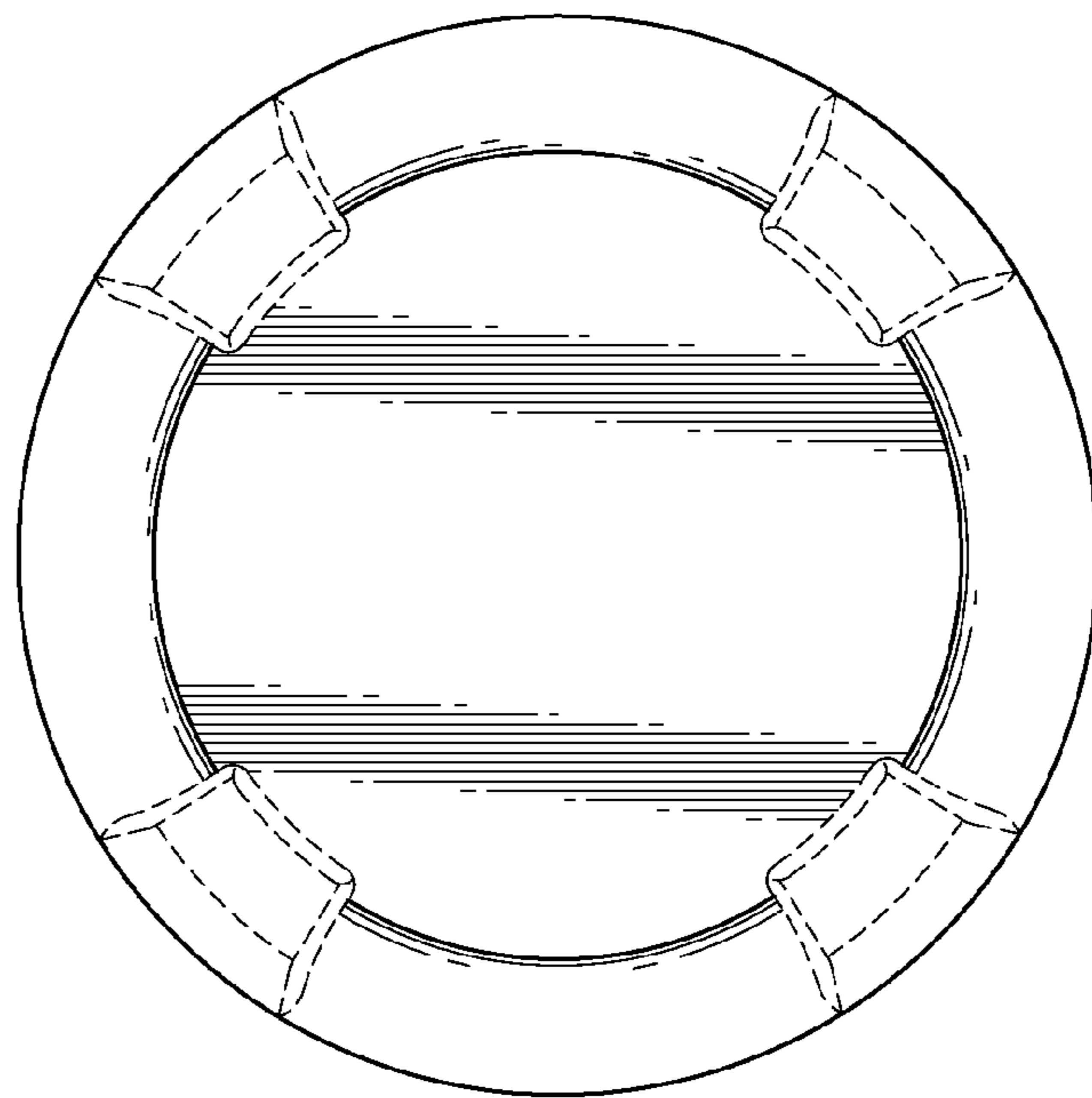


FIG. 3

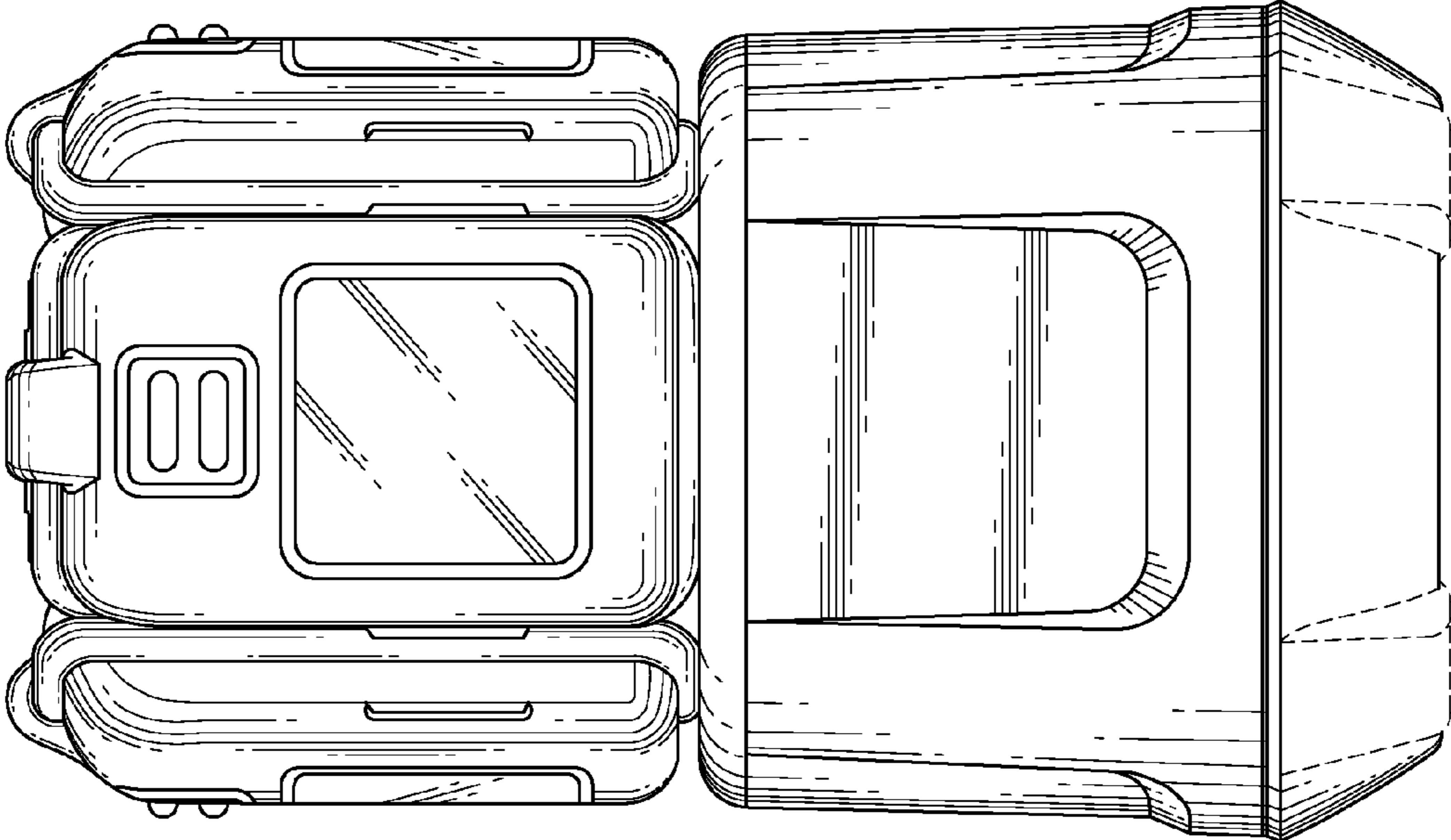


FIG. 2

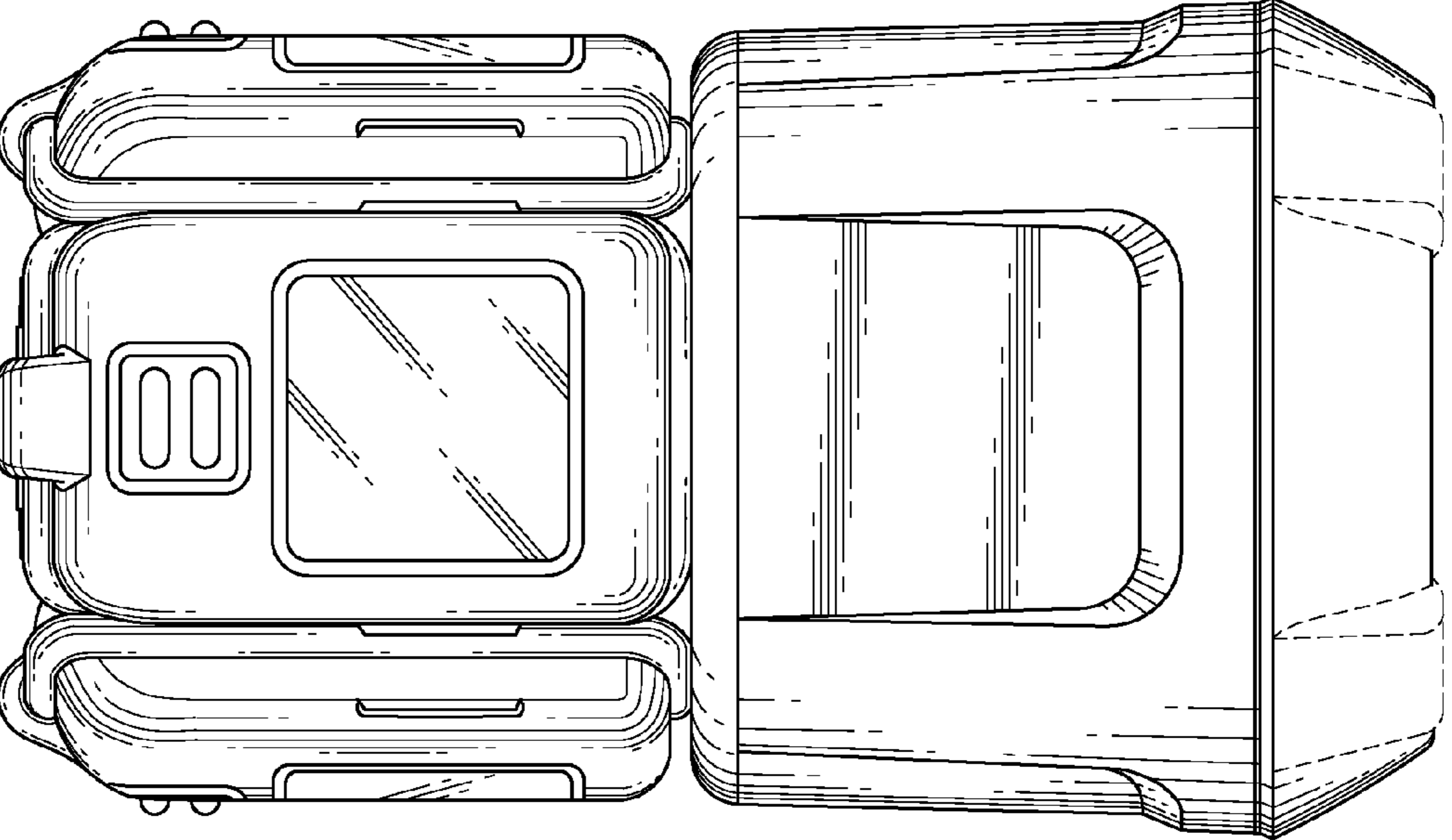


FIG. 5

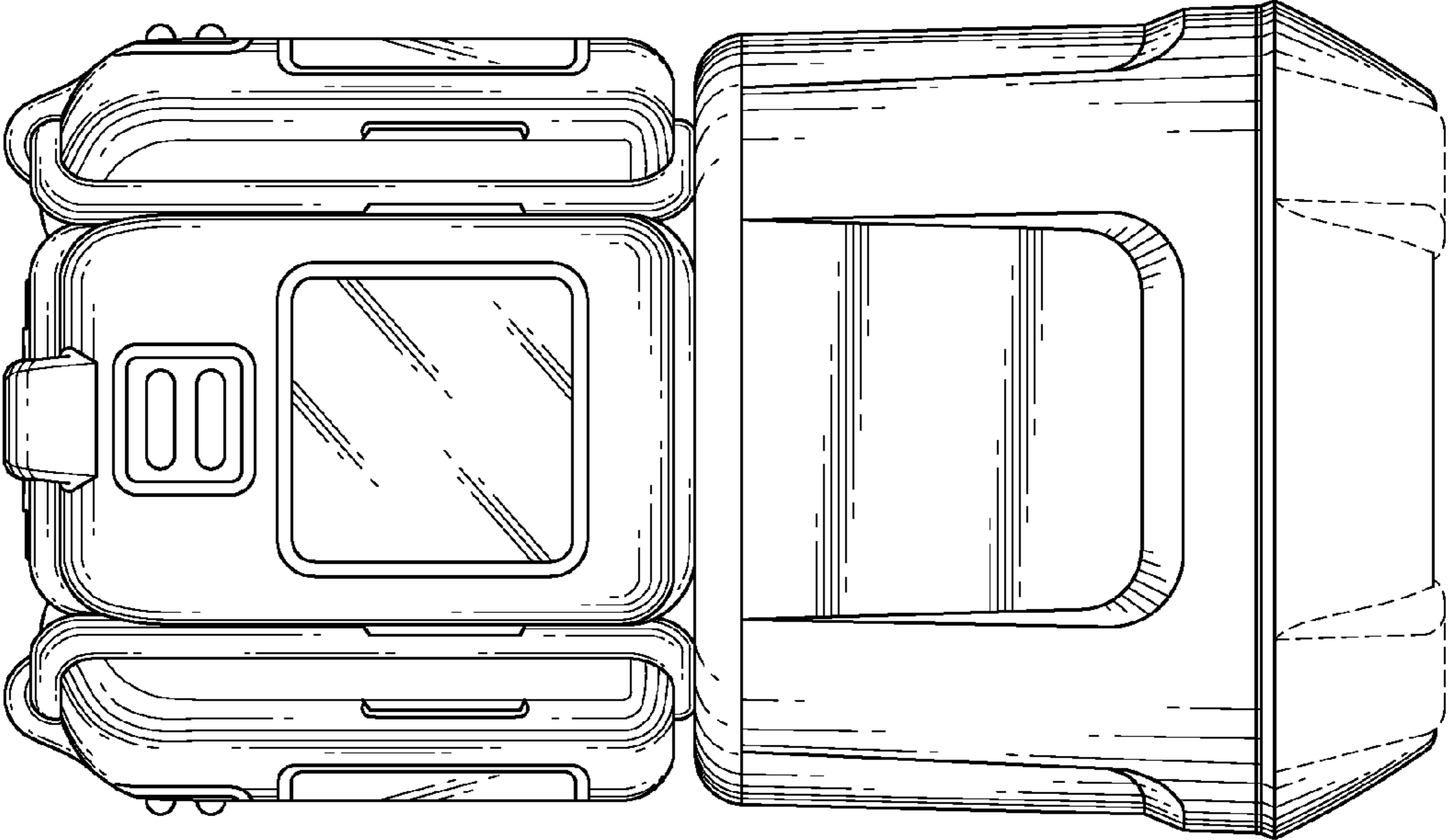


FIG. 4

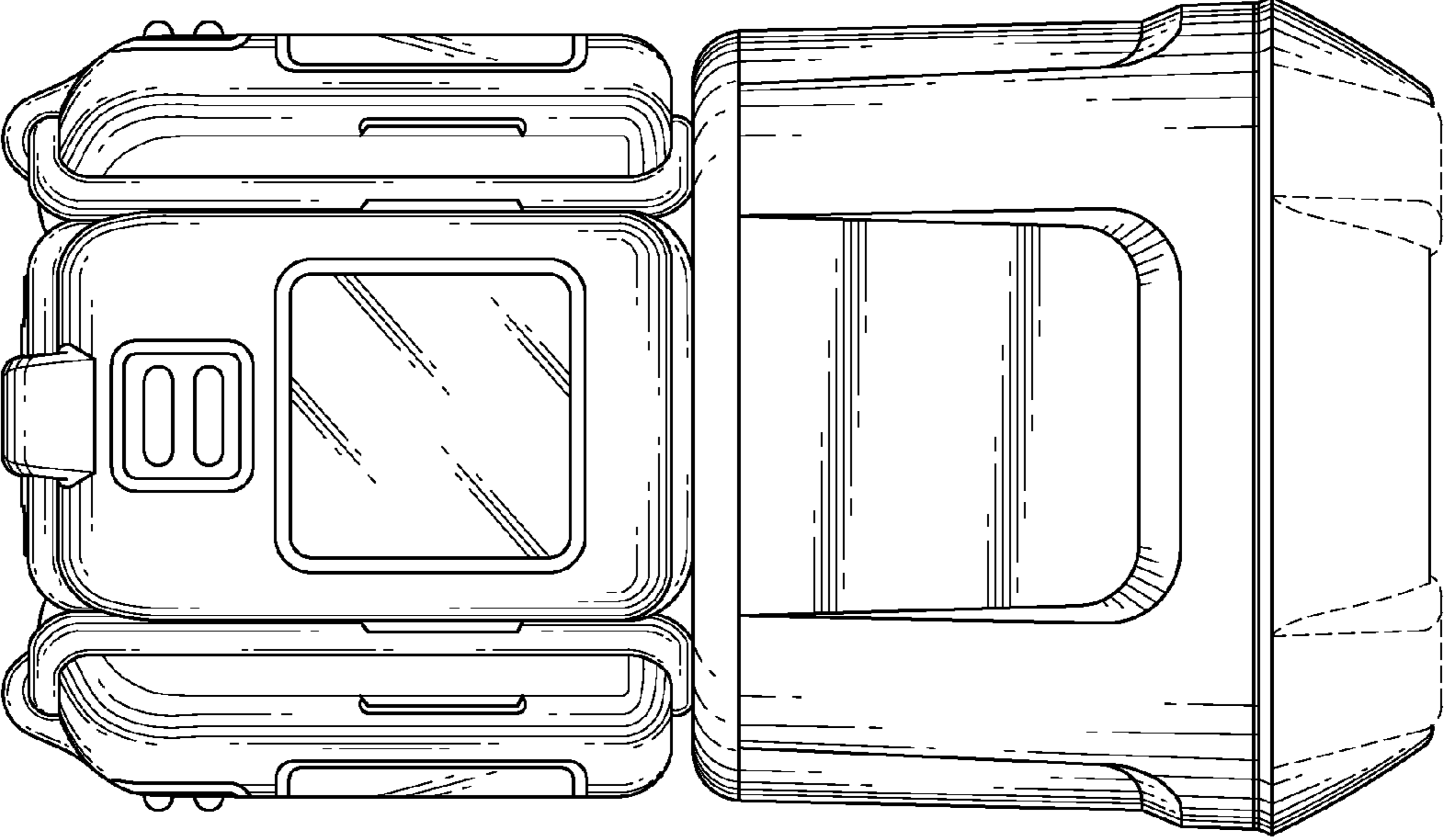


FIG. 8

