



US00D627088S

(12) **United States Design Patent**
Schwartz et al.

(10) **Patent No.:** **US D627,088 S**
(45) **Date of Patent:** **** Nov. 9, 2010**

(54) **CANDLE CONTAINER LID**

D292,674 S * 11/1987 Morris et al. D9/439
4,760,935 A * 8/1988 van den Beld et al. 220/789

(75) Inventors: **Keara Elyse Schwartz**, Cincinnati, OH (US); **Michael Thomas Seum**, Cincinnati, OH (US); **Norio Fujikawa**, San Francisco, CA (US); **Shujan Sung Bertrand**, San Francisco, CA (US); **Anh Tuan Nguyen**, Portland, OR (US)

(Continued)

OTHER PUBLICATIONS

www.candlewic.com/candle-making-newsletter/0106.asp—Jan. 2006
How to Make Candles, Candle Making Newsletter, printed Sep. 25, 2006, 7 pages.

(Continued)

(73) Assignee: **The Procter & Gamble Company**, Cincinnati, OH (US)

Primary Examiner—T. Chase Nelson
Assistant Examiner—Ania K Dworzecka

(**) Term: **14 Years**

(74) *Attorney, Agent, or Firm*—Julie A. Glazer; Leonard W. Lewis; Steven W. Miller

(21) Appl. No.: **29/301,060**

(57) **CLAIM**

(22) Filed: **Feb. 7, 2008**

The ornamental design for a candle container lid, as shown and described.

(51) **LOC (9) Cl.** **26-01**

(52) **U.S. Cl.** **D26/23**

(58) **Field of Classification Search** D26/5,
D26/6, 7, 9, 10, 11, 12, 13, 14, 15, 16, 17,
D26/18, 19, 20, 21, 22, 23, 114–137; D11/117,
D11/121, 125, 131; 428/7–9, 11; 431/291,
431/311, 320, 298; 362/161–163, 351; D9/516,
D9/434, 435, 439, 445, 454, 499
See application file for complete search history.

DESCRIPTION

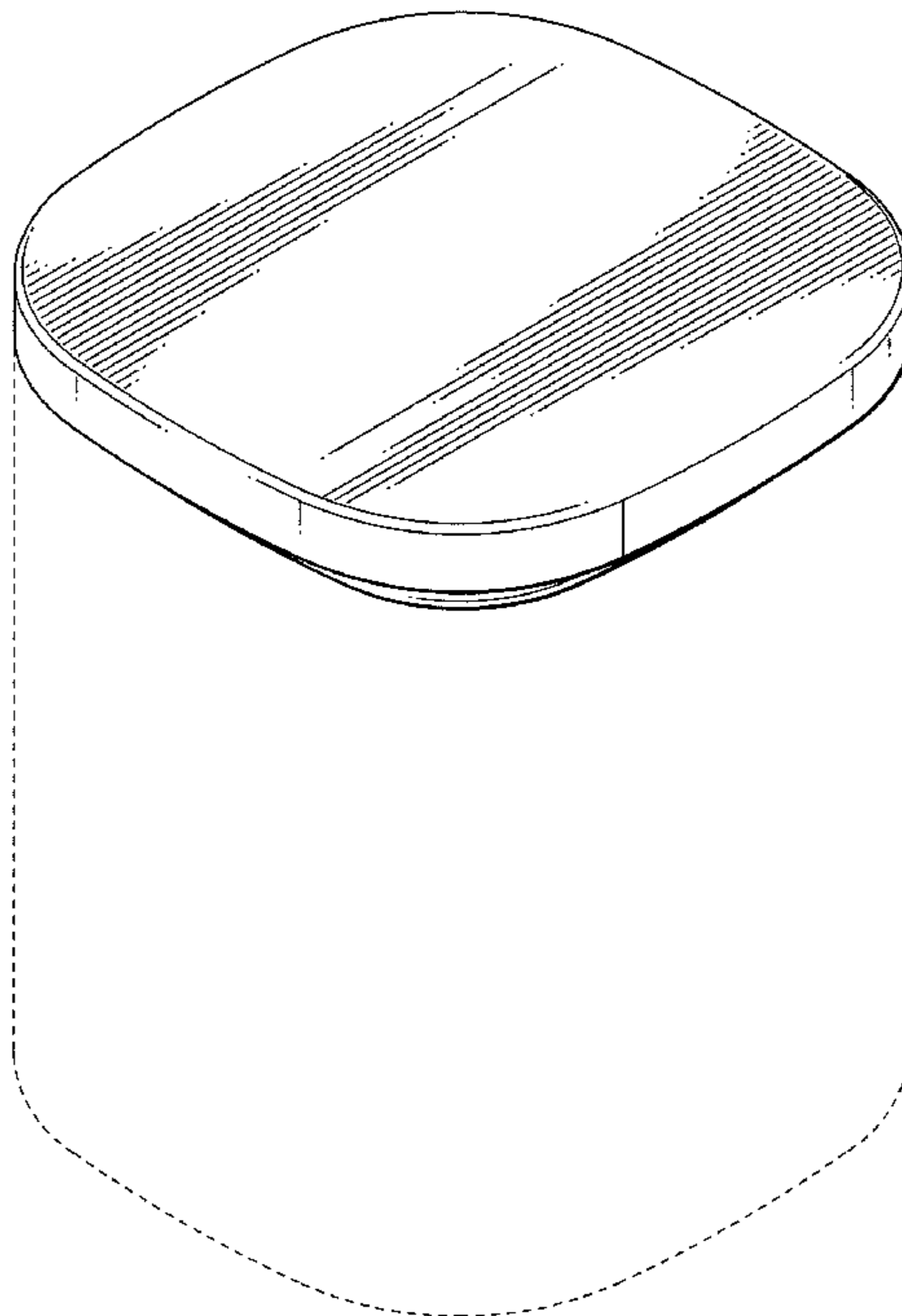
FIG. 1 is a perspective view of a candle container lid.
FIG. 2 is a bottom perspective view of the candle container lid of FIG. 1.
FIG. 3 is a front view of the candle container lid of FIG. 1.
FIG. 4 is a rear view of the candle container lid of FIG. 1.
FIG. 5 is a left side view of the candle container lid of FIG. 1.
FIG. 6 is a right side view of the candle container lid of FIG. 1.
FIG. 7 is a top view of the candle container lid of FIG. 1; and,
FIG. 8 is a bottom view of the candle container lid of FIG. 1.
The broken line showing of environmental structure in FIG. 1 is for illustrative purposes only and forms no part of the claimed design.

(56) **References Cited**

U.S. PATENT DOCUMENTS

D32,681 S * 5/1900 Morgenthaler D9/434
D45,242 S * 2/1914 Schulhoff D9/439
2,057,972 A * 10/1936 Pieck 47/71
3,362,565 A * 1/1968 McCormick 220/203.09
D265,176 S * 6/1982 Bock D34/39
4,538,741 A * 9/1985 Jacobs 215/320
D285,657 S * 9/1986 Poore D9/734

1 Claim, 8 Drawing Sheets



US D627,088 S

Page 2

U.S. PATENT DOCUMENTS

D312,785 S * 12/1990 Tucker D9/447
4,974,741 A * 12/1990 Gustafson et al. 220/739
D322,753 S * 12/1991 Sussman D9/504
D340,385 S * 10/1993 Durand D7/509
D355,735 S * 2/1995 Shaffer et al. D32/53
D366,186 S * 1/1996 Kato D7/536
D381,561 S * 7/1997 Manca D7/590
5,839,598 A * 11/1998 Mitchell 220/321
D405,696 S * 2/1999 Ullrich D9/454
D407,979 S * 4/1999 Zemlo D9/454
D411,800 S * 7/1999 Kokenge et al. D9/454
D414,694 S * 10/1999 Richter D9/439
D424,875 S * 5/2000 Husted D7/510
D439,348 S * 3/2001 Poppick et al. D26/9
D443,080 S * 5/2001 Klett et al. D26/7
D443,083 S * 5/2001 Dearth D26/10
6,241,512 B1 6/2001 Freeman et al.
D452,155 S * 12/2001 Stodd D9/454
6,435,694 B1 8/2002 Bell et al.
D469,316 S * 1/2003 Quan D7/615
D471,453 S * 3/2003 Stodd D9/434
D480,304 S * 10/2003 Stodd D9/434
D484,365 S * 12/2003 Wyche D7/587
D490,313 S * 5/2004 DeBiasse et al. D9/444
D498,341 S * 11/2004 Baker D1/102

D506,136 S * 6/2005 Wilde et al. D9/503
D547,467 S 7/2007 Horenziak et al.
D547,468 S 7/2007 Horenziak et al.
D547,470 S 7/2007 Horenziak et al.
D548,393 S * 8/2007 Smith D27/133
D565,241 S 3/2008 Horenziak et al.
7,337,916 B2 * 3/2008 Clougherty 220/785
D581,809 S * 12/2008 Wichowski D9/772
D597,840 S * 8/2009 Biesecker et al. D9/454
D605,940 S * 12/2009 Lin D9/435
2002/0102187 A1 * 8/2002 Bellenger et al. 422/126
2003/0104330 A1 6/2003 Joyner
2007/0169404 A1 7/2007 Cagle
2007/0169405 A1 7/2007 Cagle
2008/0081305 A1 4/2008 Horenziak et al.

OTHER PUBLICATIONS

<http://oami.europa.eu/RCDOnline/RequestManager>—European Registered Community Design 000078829-0001.
U.S. Appl. No. 29/286,997, filed May 25, 2007, Horenziak et al.
U.S. Appl. No. 29/288,002, filed May 25, 2007, Horenziak et al.
U.S. Appl. No. 29/291,314, filed Aug. 23, 2007, Seum et al.
U.S. Appl. No. 29/291,315, filed Aug. 23, 2007, Scum et al.
U.S. Appl. No. 29/294,816, filed Jan. 29, 2008, Horenziak et al.
U.S. Appl. No. 29/301,038, filed Feb. 7, 2008, Schwartz et al.

* cited by examiner

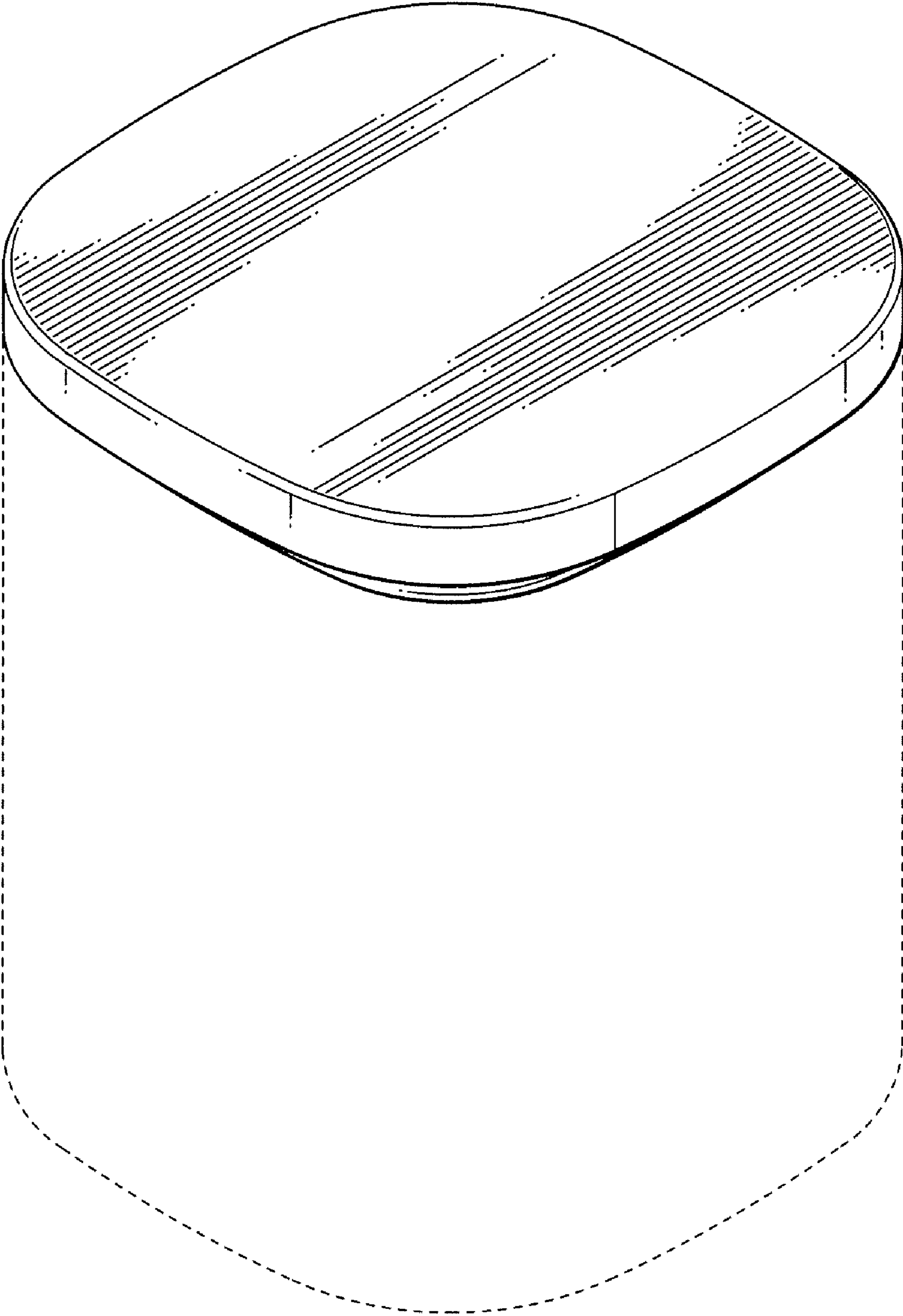


Fig. 1

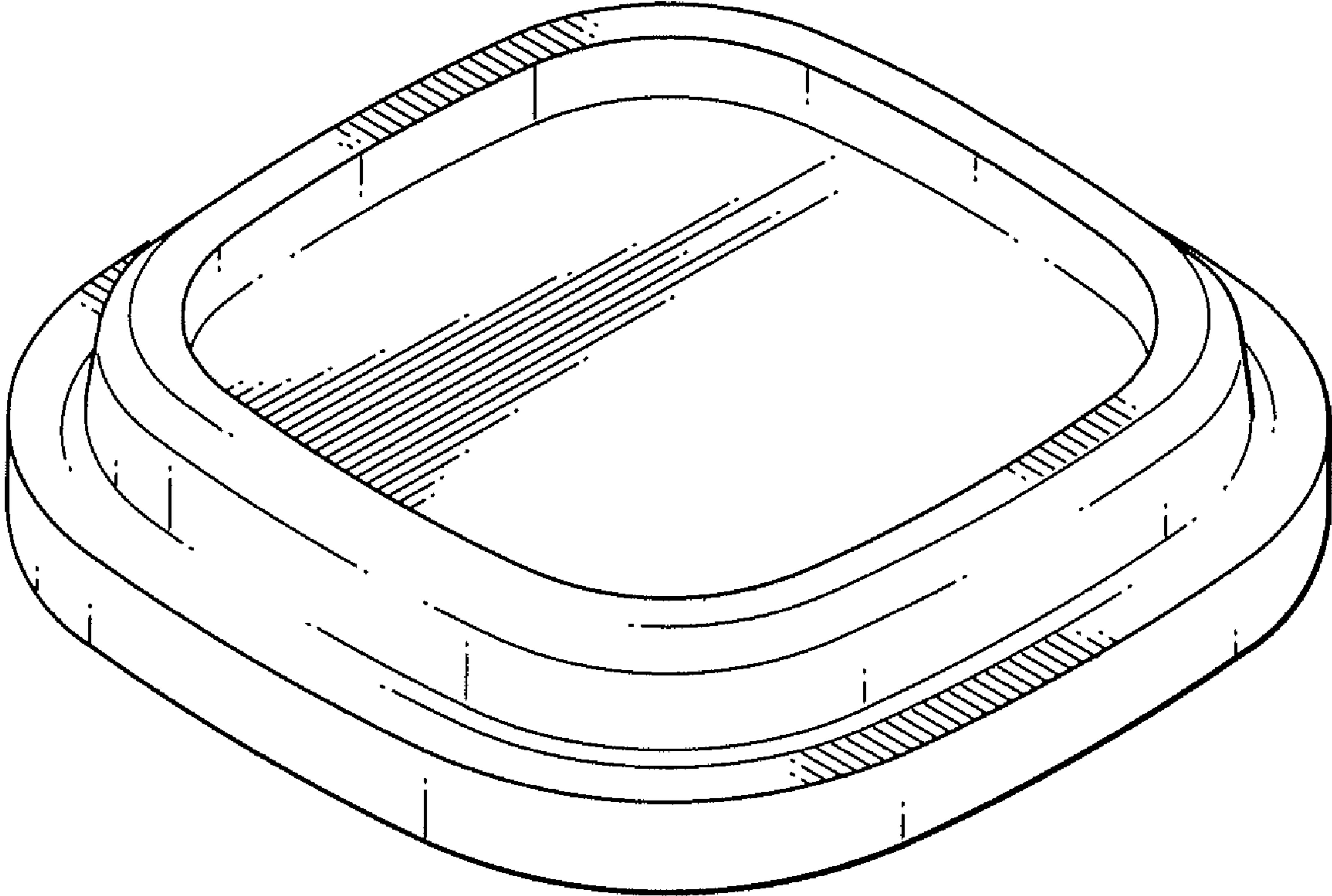


Fig. 2

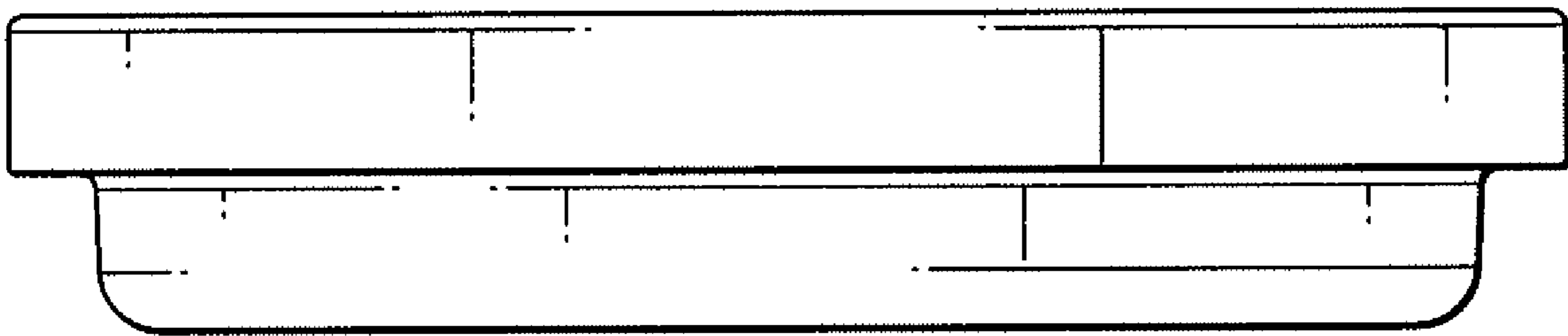


Fig. 3

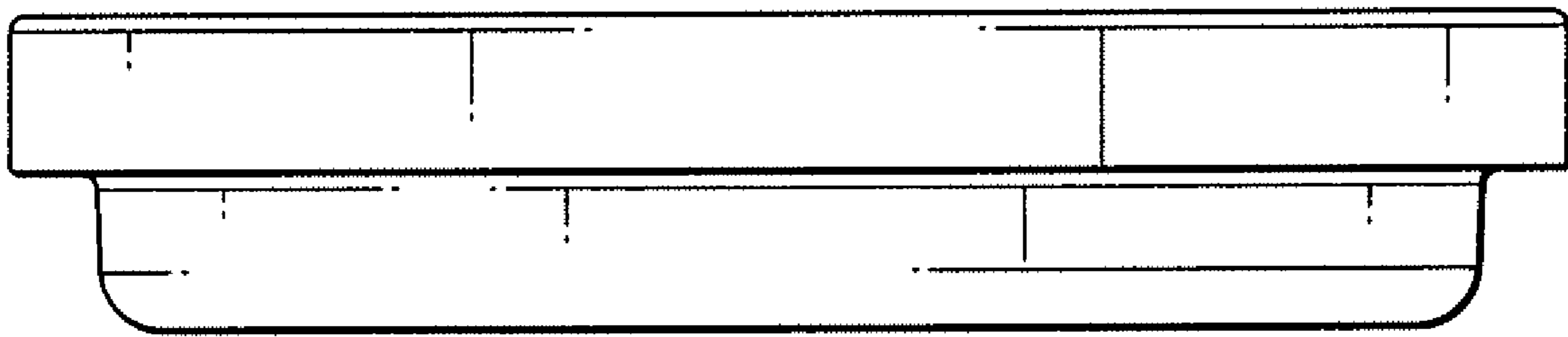


Fig. 4

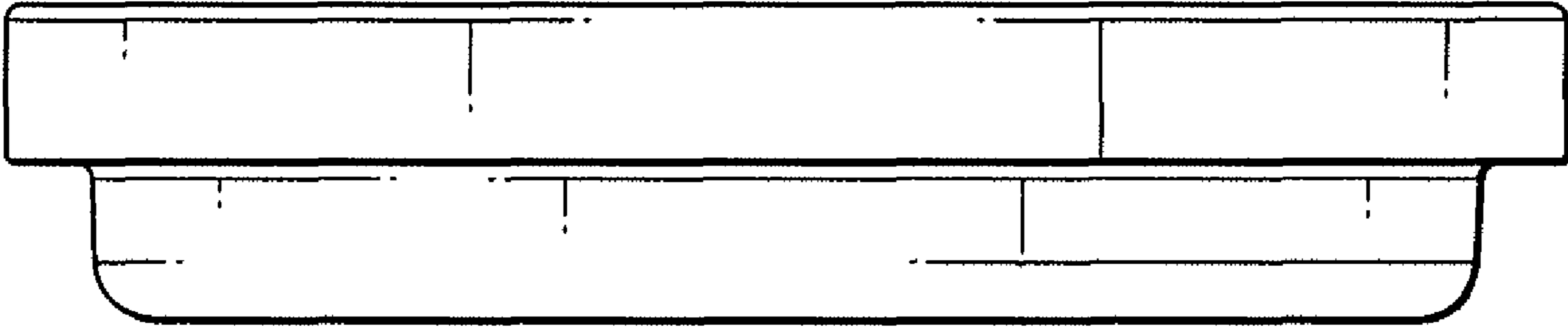


Fig. 5

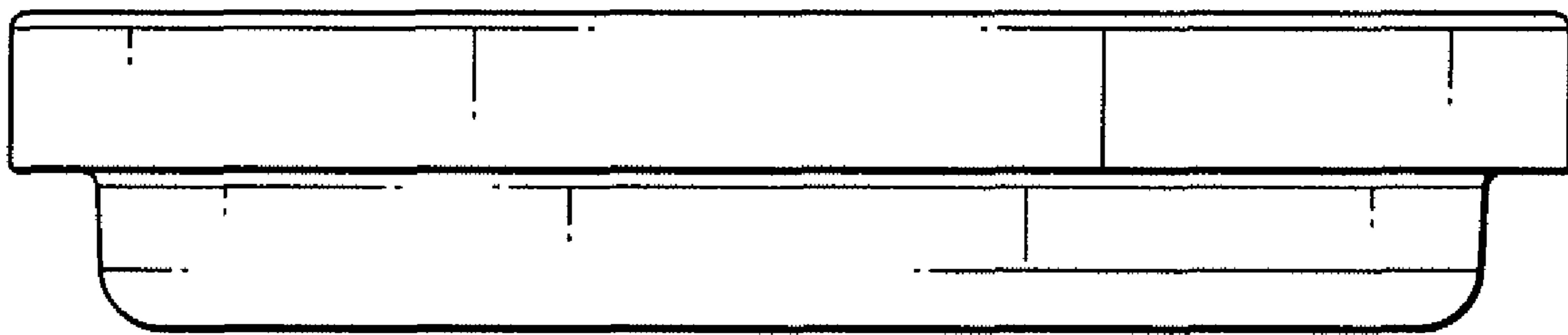


Fig. 6

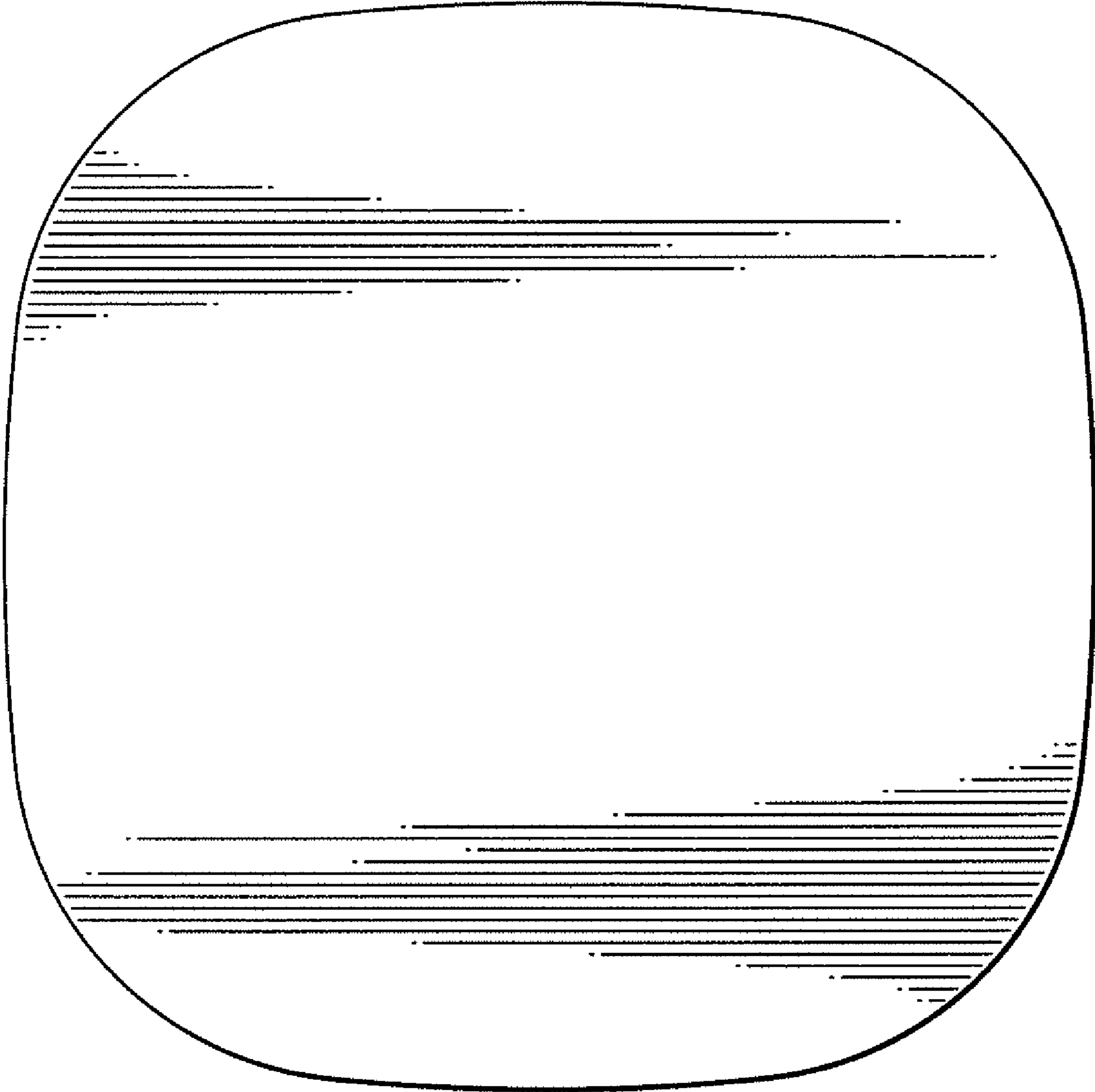


Fig. 7

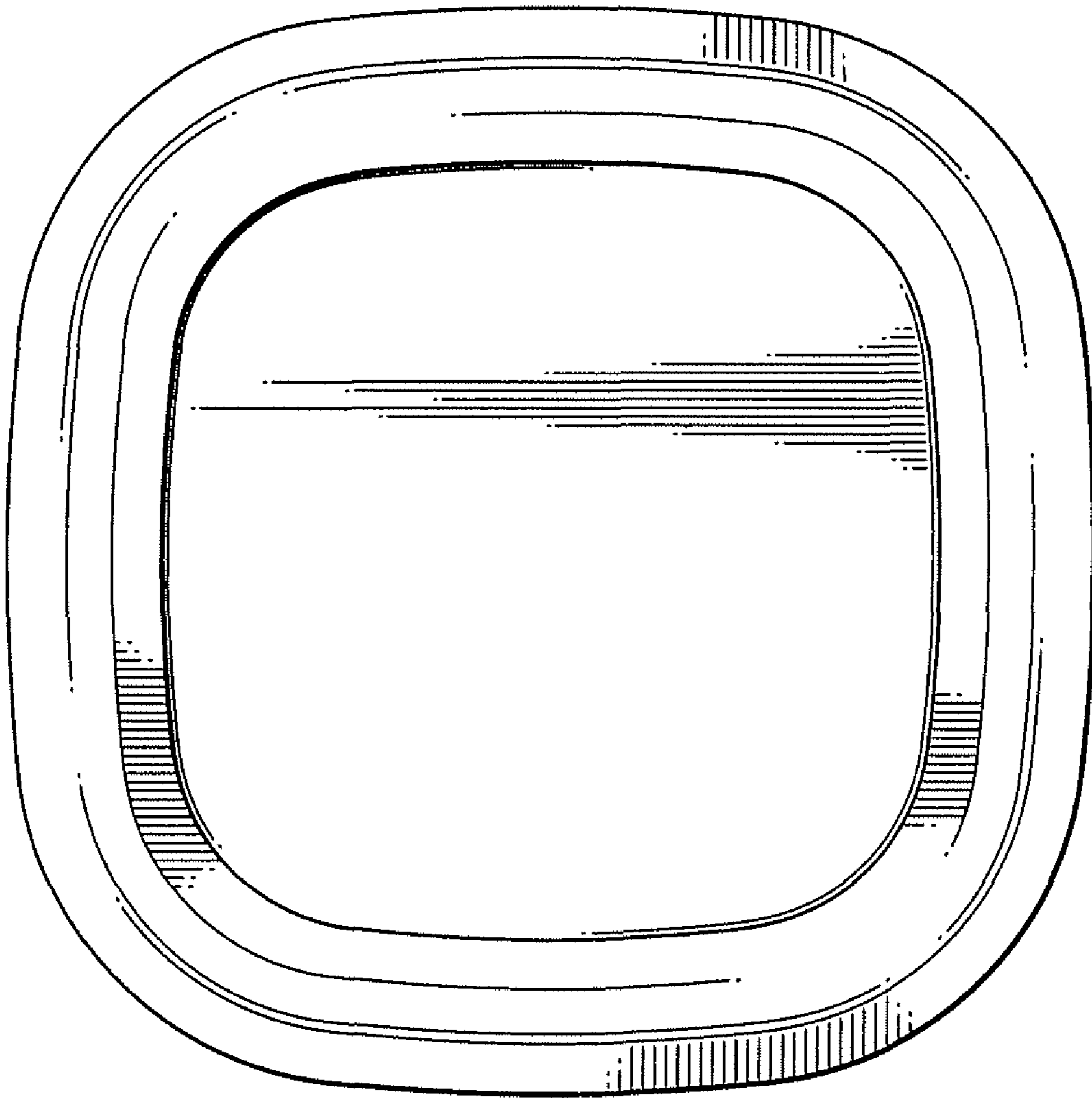


Fig. 8