



US00D627080S

(12) **United States Design Patent**  
**Fuster**

(10) **Patent No.:** **US D627,080 S**  
(45) **Date of Patent:** **\*\* Nov. 9, 2010**

(54) **HEAD FOR MASSAGE APPARATUS**

(75) Inventor: **Arnaud Fuster**, Beaumont-les-Valence (FR)

(73) Assignee: **LPG Finance Industrie**, Valence (FR)

(\*\*) Term: **14 Years**

(21) Appl. No.: **29/353,774**

(22) Filed: **Jan. 14, 2010**

(30) **Foreign Application Priority Data**

Jul. 16, 2009 (EM) ..... 1584525-0007

(51) **LOC (9) Cl.** ..... **28-03**

(52) **U.S. Cl.** ..... **D24/215**

(58) **Field of Classification Search** ..... D24/200,  
D24/204, 206, 211–215, 201; 601/19, 22,  
601/27, 28, 29, 30, 31, 39, 46, 56, 63, 68,  
601/72, 80, 125, 135, 157, 169, DIG. 12,  
601/DIG. 14, DIG. 16, DIG. 17; D6/335,  
D6/336; D21/685

See application file for complete search history.

(56) **References Cited**

**U.S. PATENT DOCUMENTS**

D300,853 S \* 4/1989 Smal ..... D24/211

D345,424 S \* 3/1994 Gudeein ..... D24/215  
D530,019 S \* 10/2006 Crunick et al. .... D24/211  
D610,692 S \* 2/2010 Heilman ..... D24/201  
2005/0192519 A1 \* 9/2005 Crunick ..... 601/72

\* cited by examiner

*Primary Examiner*—Sandra Snapp

(74) *Attorney, Agent, or Firm*—Burr & Brown

(57) **CLAIM**

The ornamental design for a head for massage apparatus, as shown and described.

**DESCRIPTION**

FIG. 1 is perspective view of a head for massage apparatus illustrating my new design;

FIG. 2 a front view thereof;

FIG. 3 is a rear view thereof;

FIG. 4 is a right side view thereof;

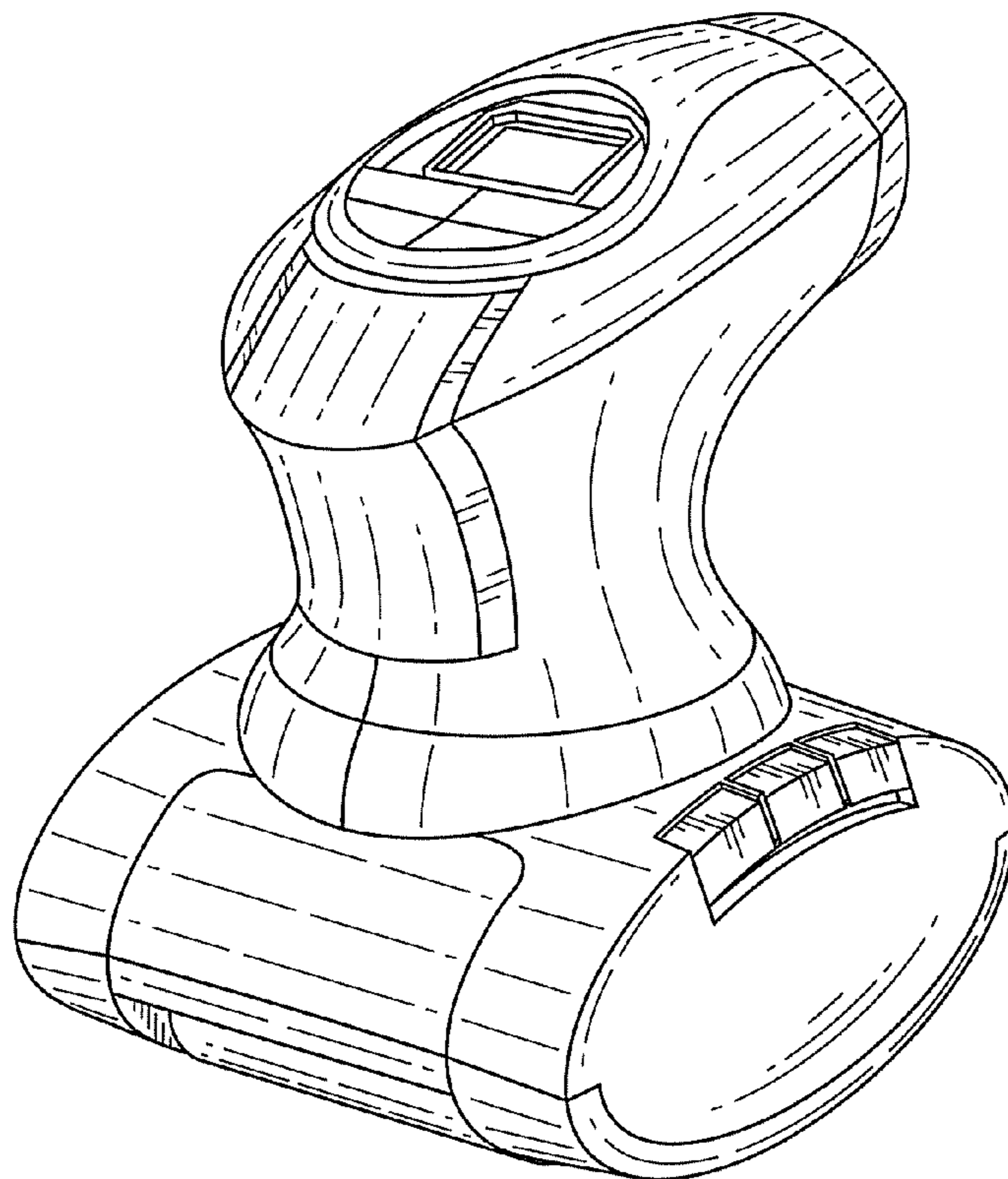
FIG. 5 is a left side view thereof;

FIG. 6 is a top view thereof; and,

FIG. 7 is a bottom view thereof.

The broken lines shown in the drawings are for illustrative purposes only and form no part of the claimed design.

**1 Claim, 7 Drawing Sheets**



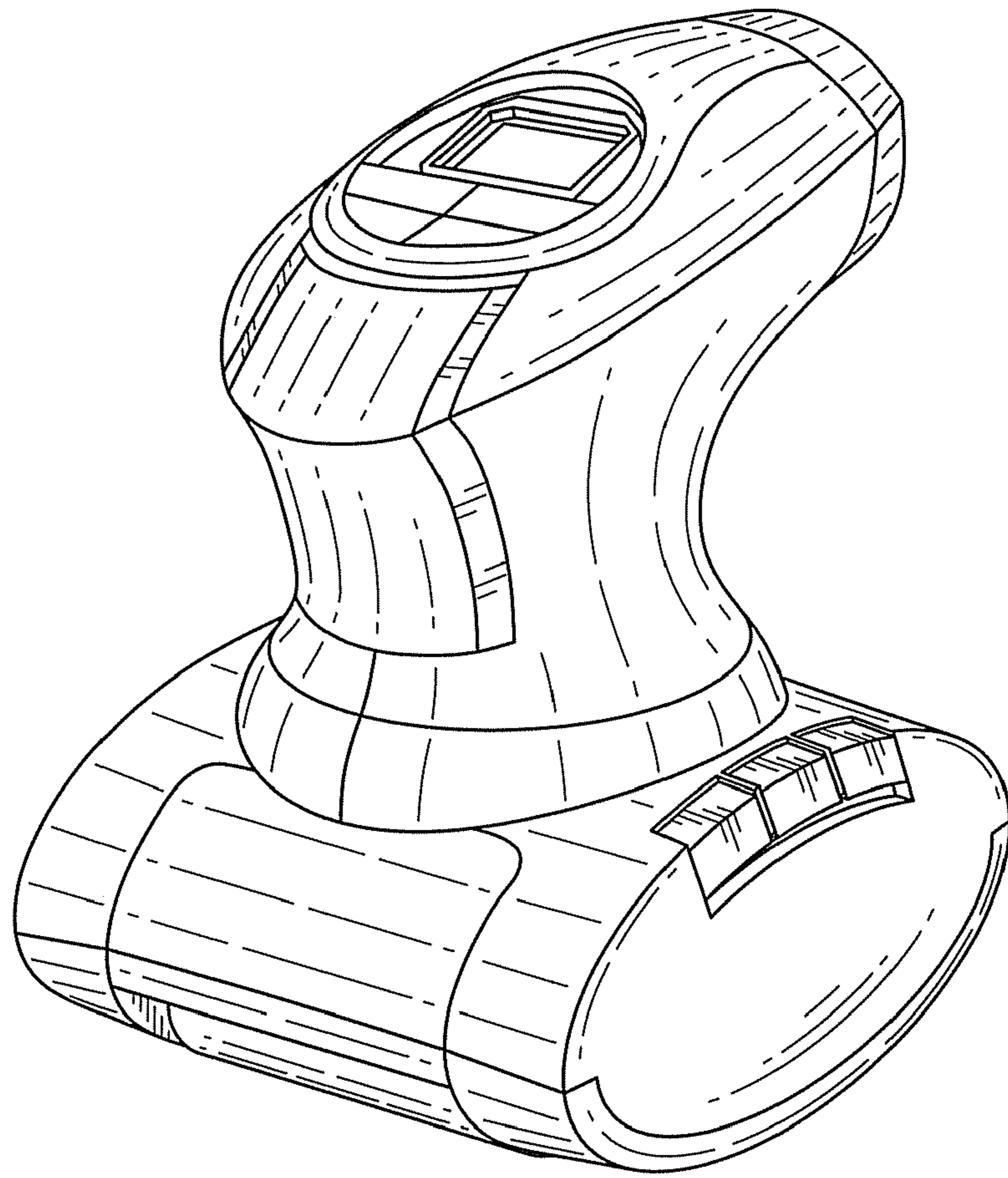


FIG. 1

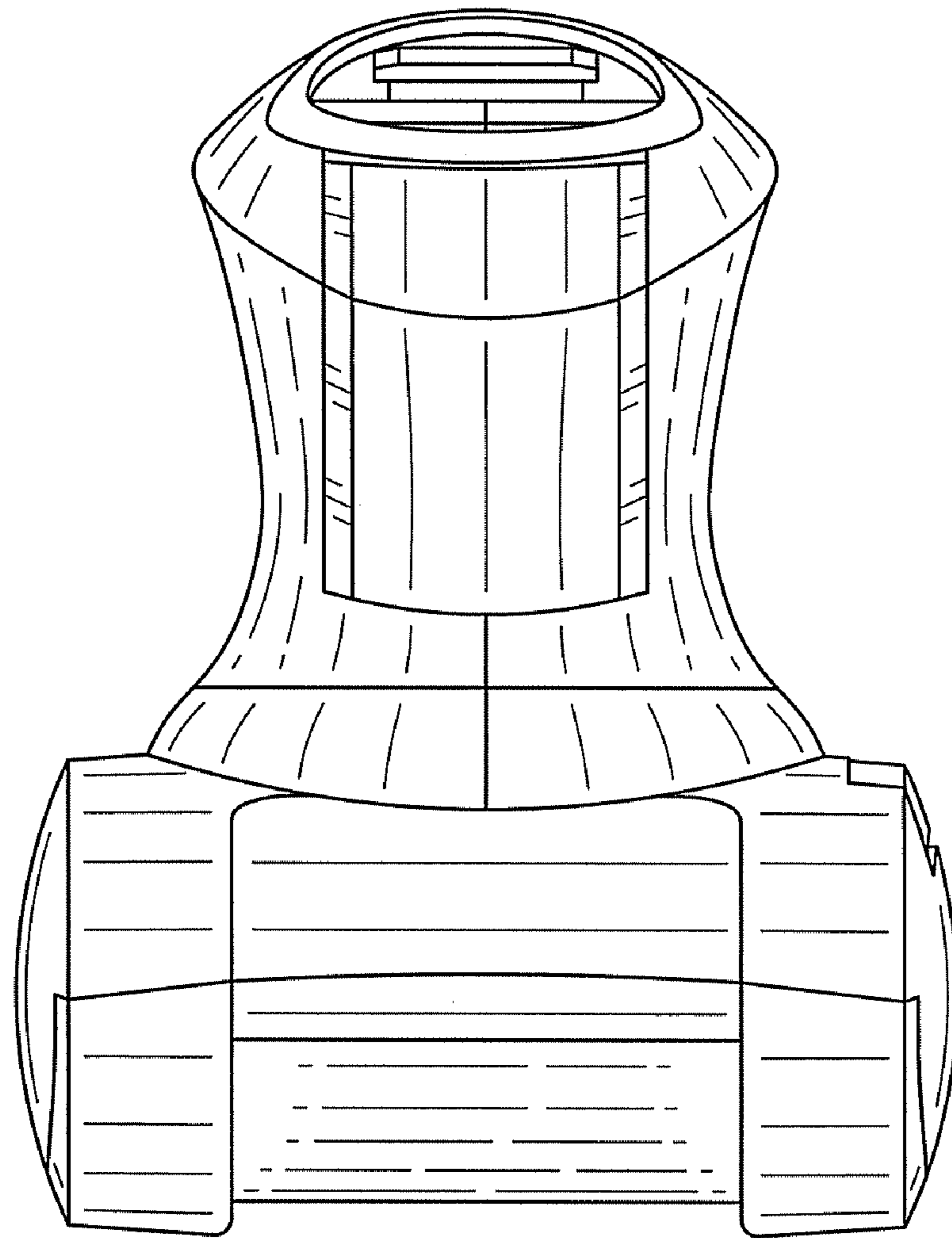


FIG. 2

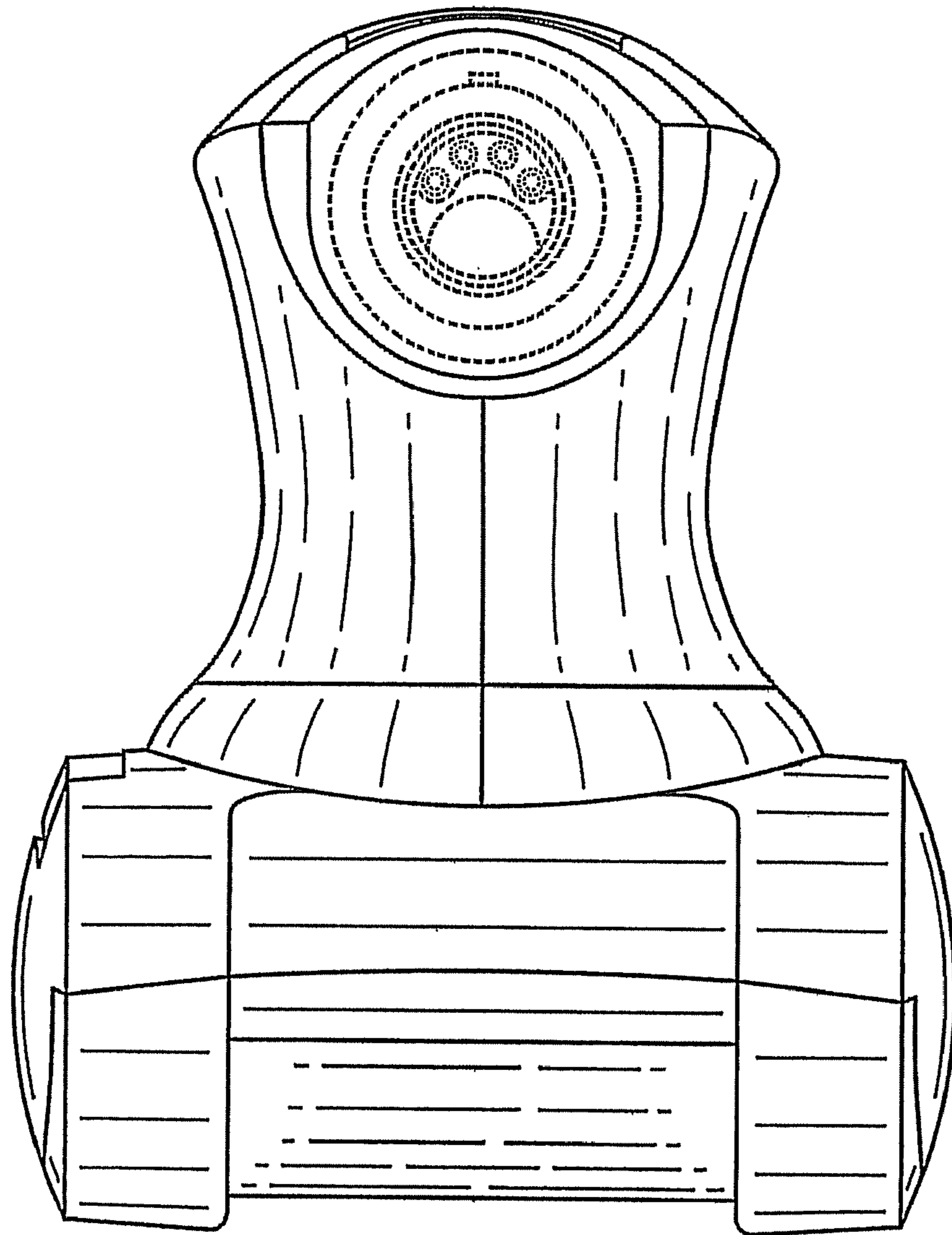


FIG. 3

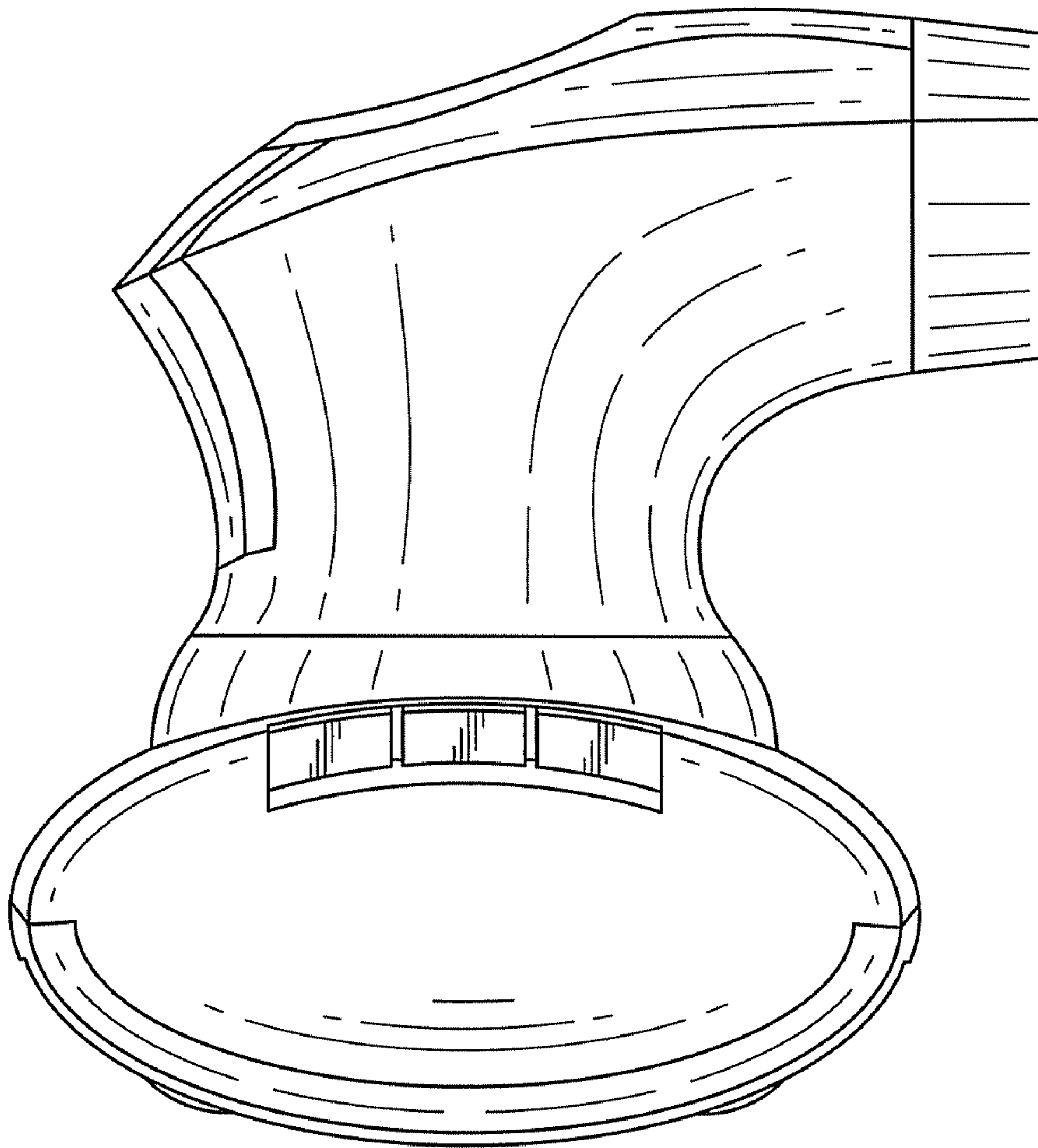


FIG. 4



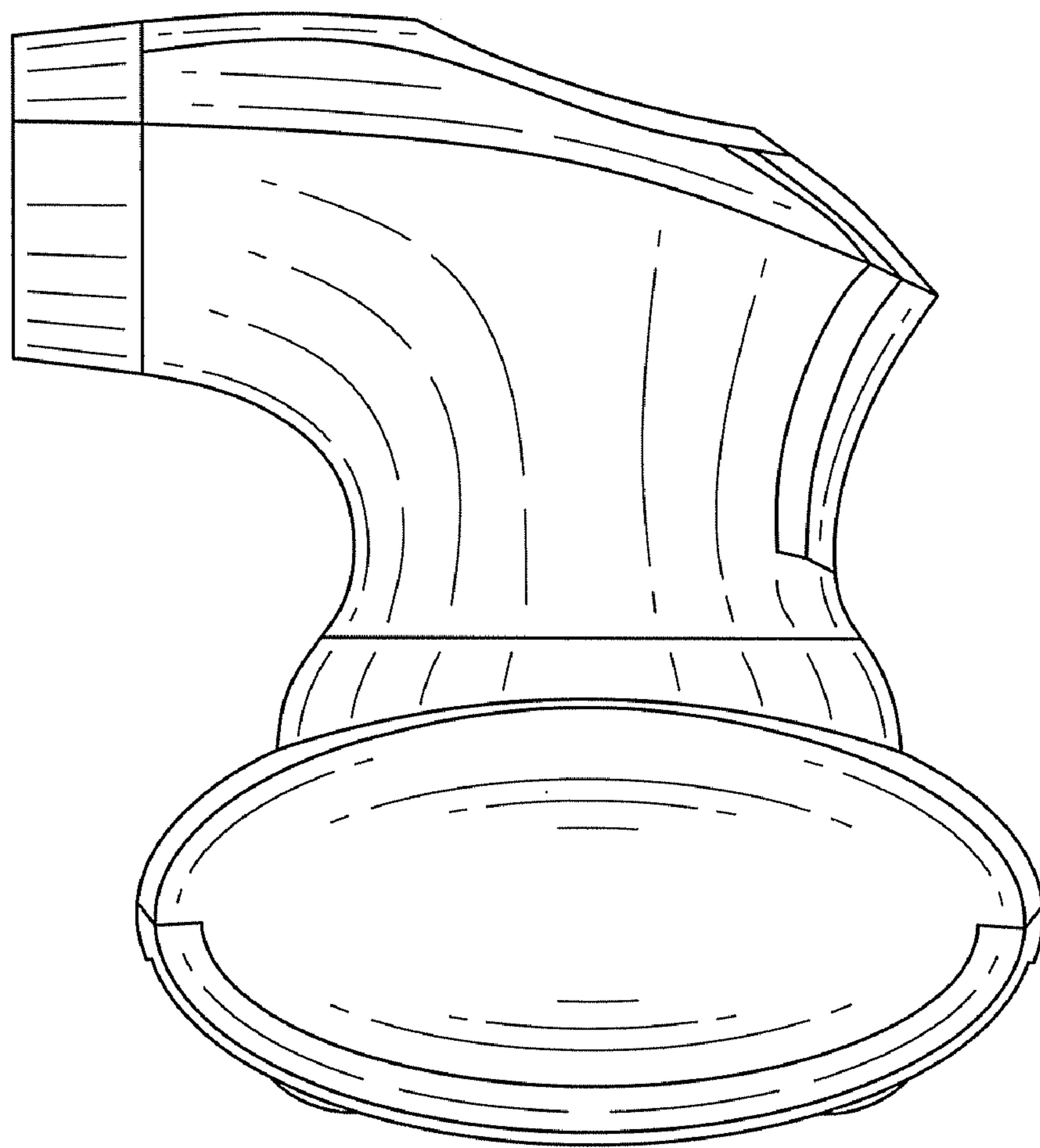


FIG. 5

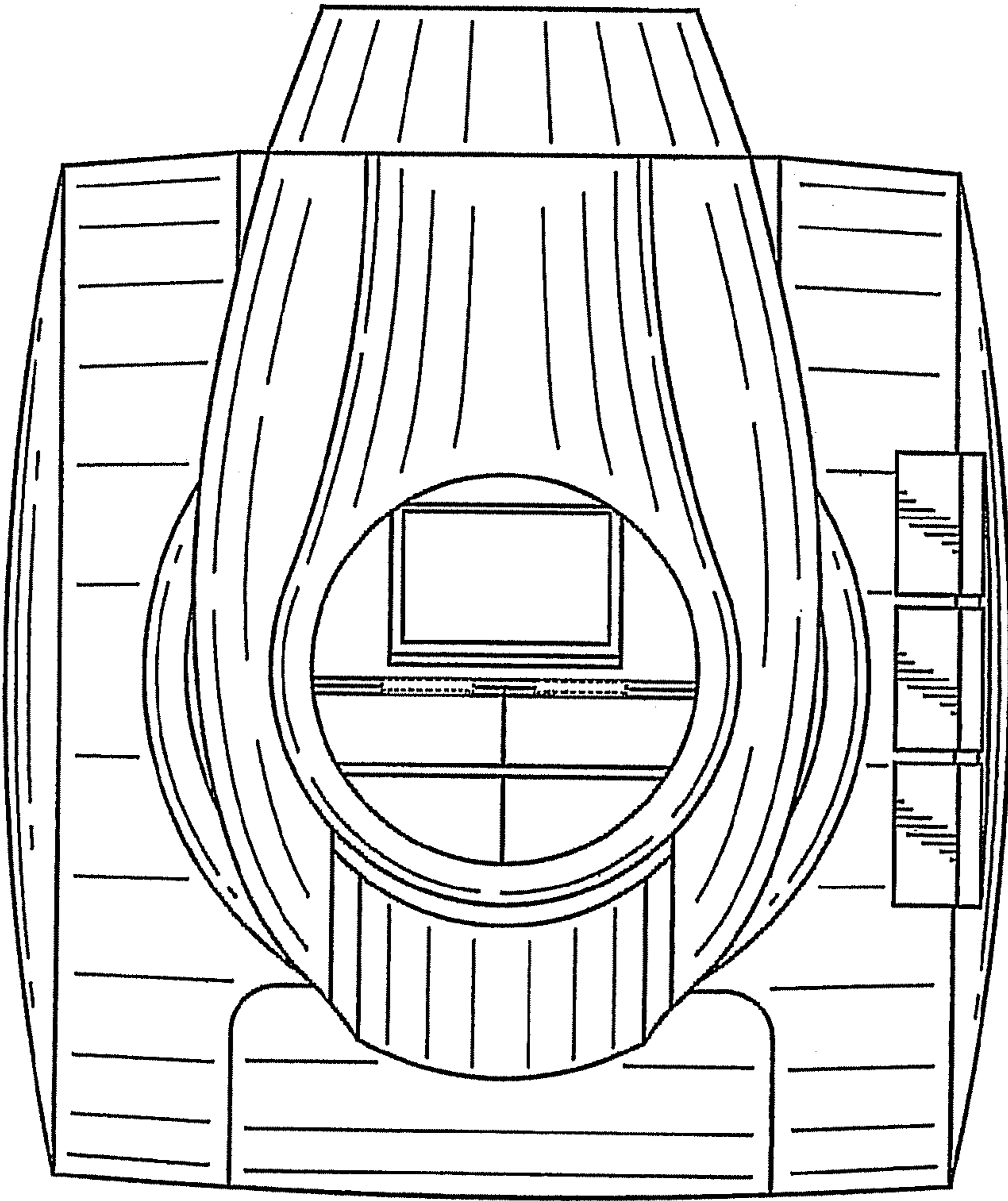


FIG. 6

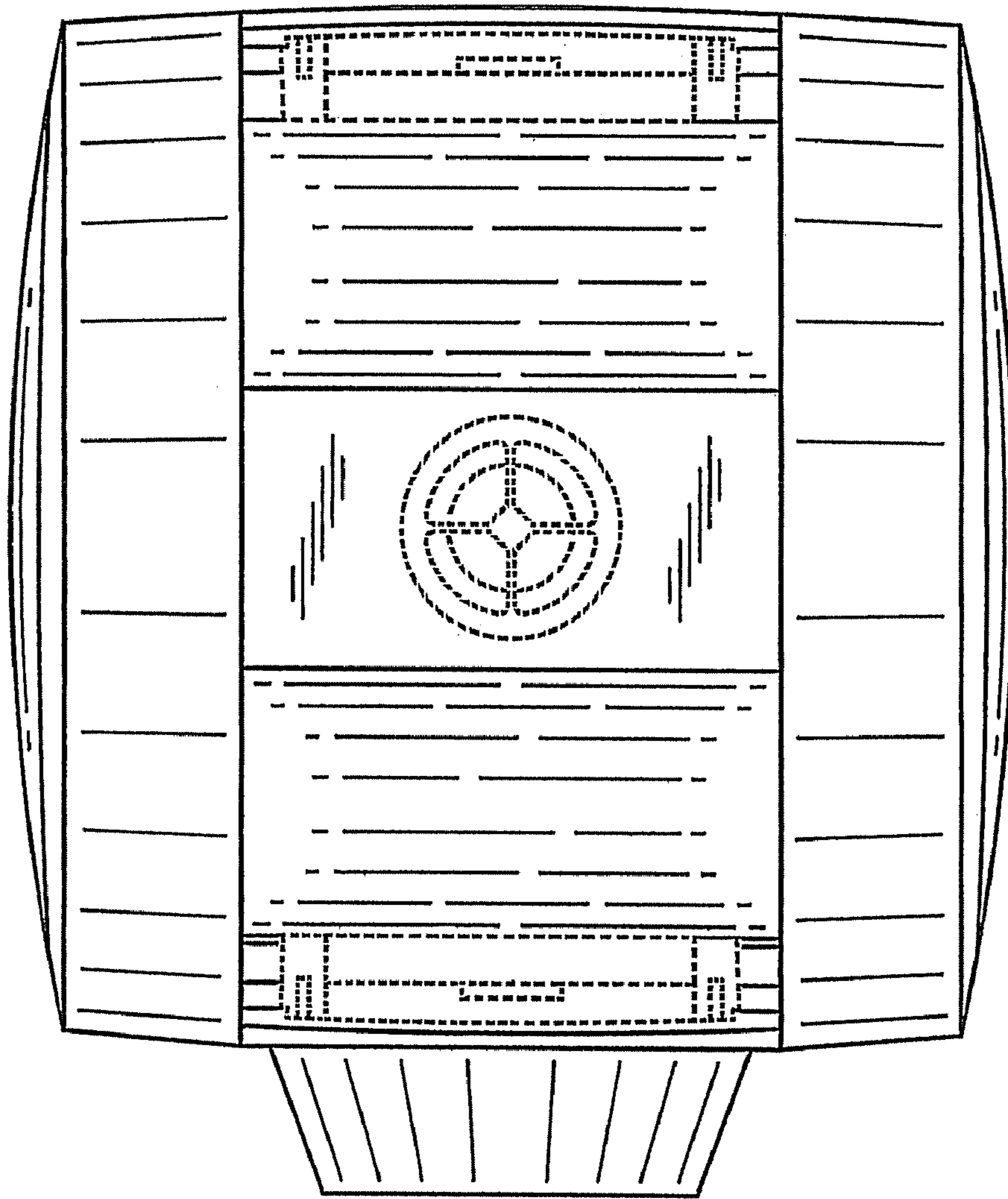


FIG. 7