



US00D627078S

(12) **United States Design Patent**  
**Matsuo et al.**

(10) **Patent No.:** **US D627,078 S**  
(45) **Date of Patent:** **\*\* Nov. 9, 2010**

(54) **PERSONAL WARMING APPARATUS FOR WAIST**

(75) Inventors: **Atsushi Matsuo**, Osaka (JP); **James McCay**, Fairfield, CT (US); **Ashish B. Patel**, West Orange, NJ (US); **Eric R. First**, Morristown, NJ (US)

(73) Assignee: **Kobayashi Pharmaceutical Co., Ltd.** (JP)

(\*\*) Term: **14 Years**

(21) Appl. No.: **29/357,707**

(22) Filed: **Mar. 16, 2010**

(30) **Foreign Application Priority Data**

Sep. 18, 2009 (JP) ..... 2009-021811

(51) **LOC (9) Cl.** ..... **24-04**

(52) **U.S. Cl.** ..... **D24/206**

(58) **Field of Classification Search** ..... D24/206–208, D24/189–192; 602/1–7, 17–27, 61–66, 74; 128/95.1, 100.1, 101.1, 876; 606/204; 607/96, 607/108, 109, 111, 112; D2/702, 894, 627; 2/458, 464–468, 16, 22, 44, 45; D29/101.2, D29/101.5, 120.1, 121.1

See application file for complete search history.

(56) **References Cited**

**U.S. PATENT DOCUMENTS**

4,622,957 A \* 11/1986 Curlee ..... 602/19  
4,872,215 A \* 10/1989 Sliger ..... 2/463  
5,195,948 A \* 3/1993 Hill et al. .... 602/19  
D353,890 S \* 12/1994 McKeel ..... D24/190  
D353,892 S \* 12/1994 Shaw et al. .... D24/207  
5,450,858 A \* 9/1995 Zablotzky et al. .... 128/876

5,728,055 A \* 3/1998 Sebastian ..... 602/19  
5,948,010 A \* 9/1999 Adamec ..... 607/96  
6,071,175 A \* 6/2000 Working, III ..... 2/44  
6,666,838 B2 \* 12/2003 Modglin et al. .... 602/19  
D496,108 S \* 9/2004 Machin et al. .... D24/206  
D518,895 S \* 4/2006 Weaver et al. .... D24/190  
D609,360 S \* 2/2010 Yim ..... D24/206

\* cited by examiner

*Primary Examiner*—David G Muller

(74) *Attorney, Agent, or Firm*—Saidman DesignLaw Group

(57) **CLAIM**

The ornamental design for a personal warming apparatus for waist, as shown and described.

**DESCRIPTION**

FIG. 1 is a front view of a personal warming apparatus for waist showing our new design;

FIG. 2 is a rear view thereof;

FIG. 3 is a top view thereof;

FIG. 4 is a bottom view thereof;

FIG. 5 is a right-side view thereof;

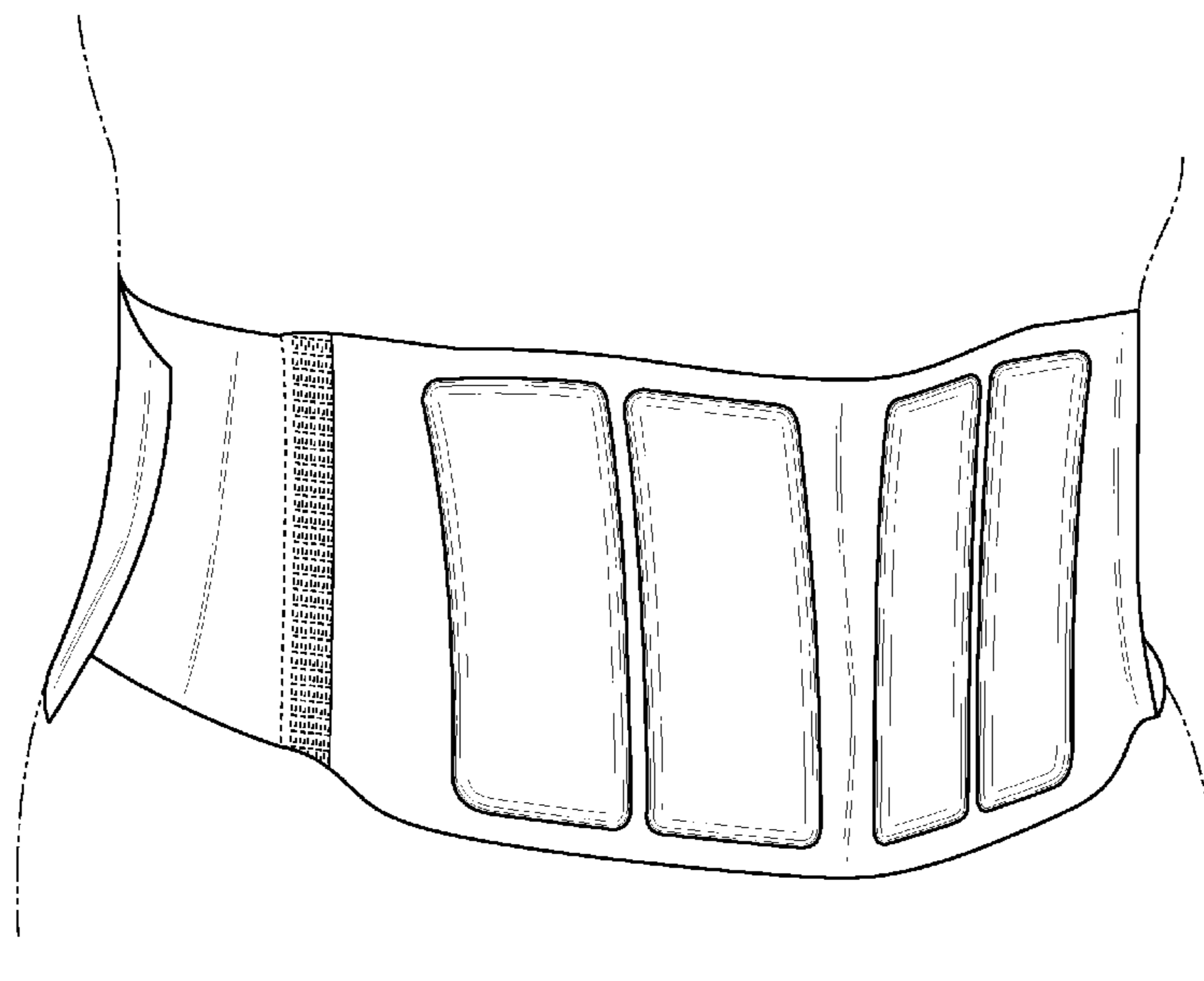
FIG. 6 is a left-side view thereof;

FIG. 7 is a sectional view taken along line 7—7 in FIG. 5; and,

FIG. 8 is a reference view of the design in use.

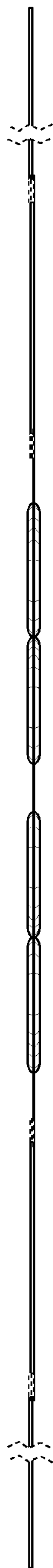
The dashed broken line showing of weld spots and fasteners is for the purpose of illustrating portions of the personal warming apparatus for waist and forms no part of the claimed design. The dash-dot-dot showing of a person's waist in FIG. 8 is for the purpose of illustrating environment and forms no part of the claimed design. The pairs of closely spaced jagged lines indicate no particular length and form no part of the claimed design.

**1 Claim, 4 Drawing Sheets**





**Fig. 1**



**Fig. 2**

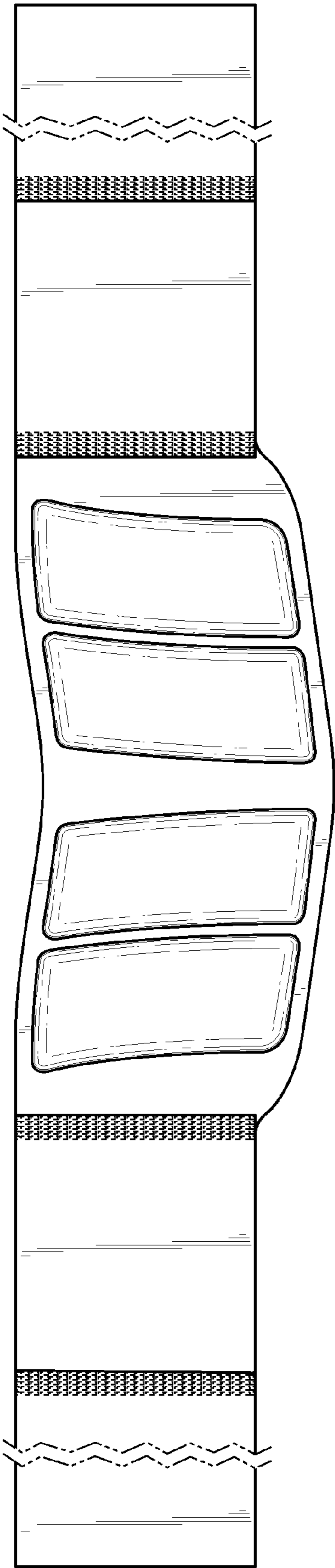


Fig. 3

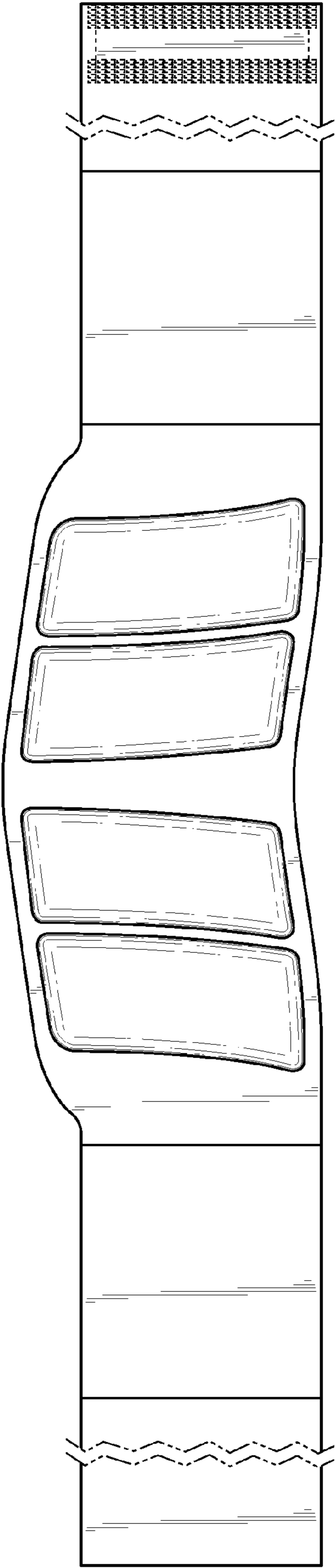


Fig. 4



Fig. 6

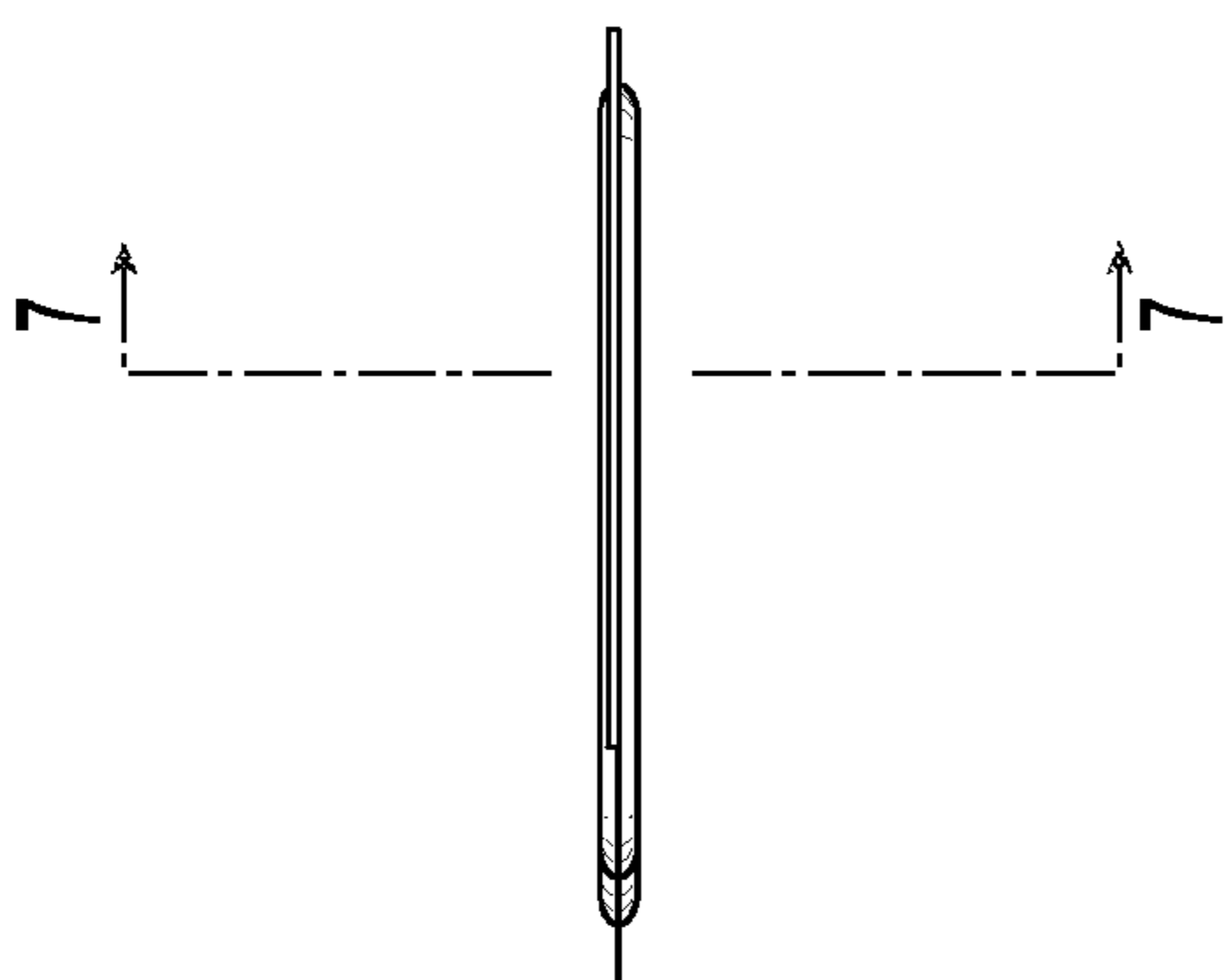


Fig. 5

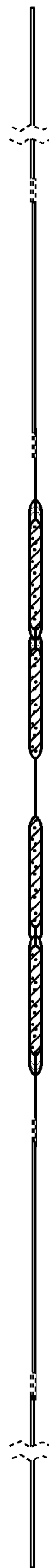


Fig. 7

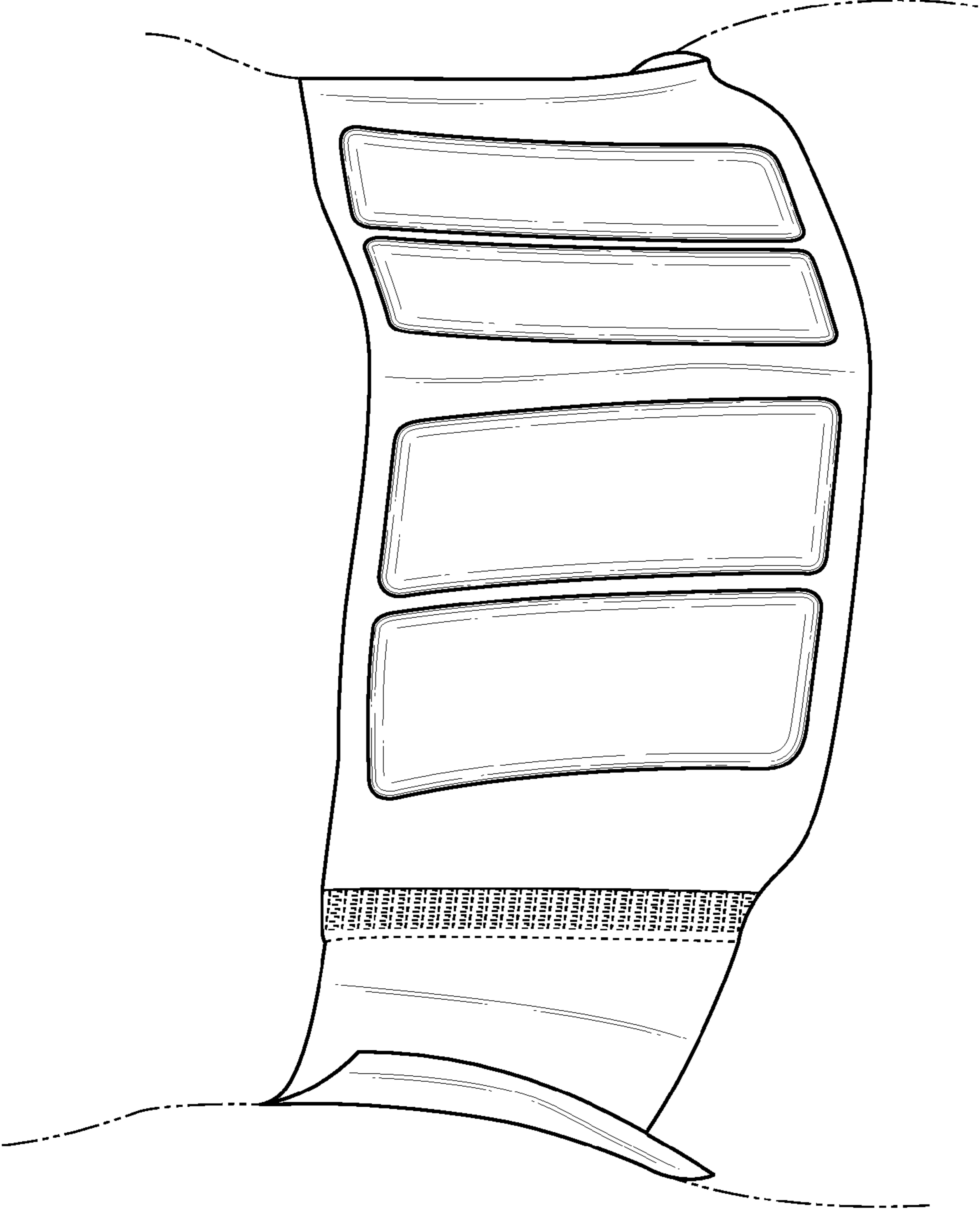


Fig. 8

UNITED STATES PATENT AND TRADEMARK OFFICE  
**CERTIFICATE OF CORRECTION**

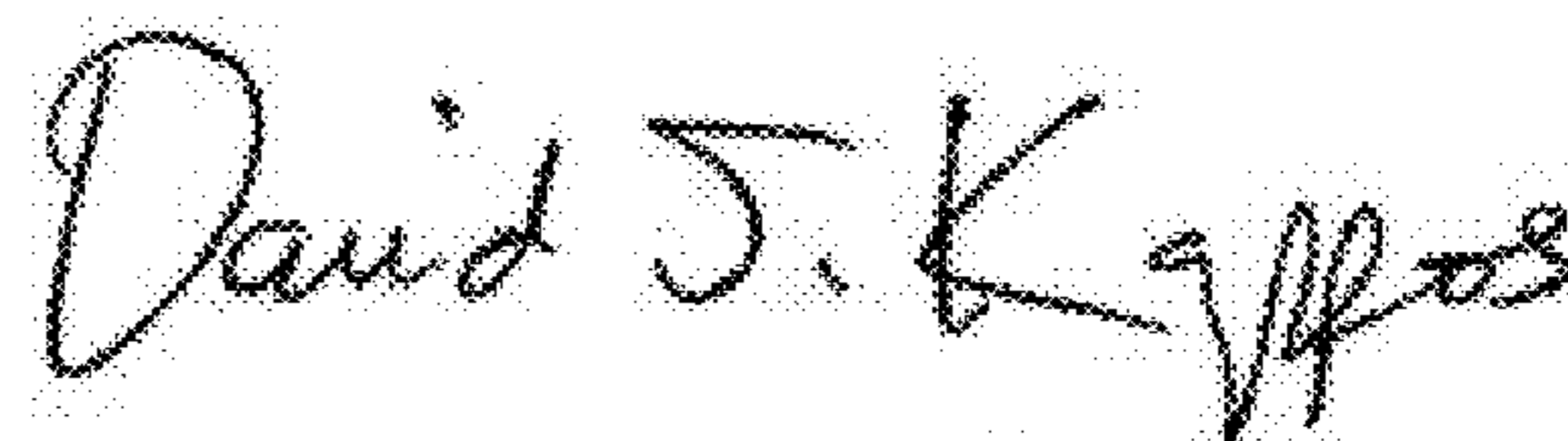
PATENT NO. : D627,078 S  
APPLICATION NO. : 29/357707  
DATED : November 9, 2010  
INVENTOR(S) : Atsushi Matsuo et al.

Page 1 of 2

It is certified that error appears in the above-identified patent and that said Letters Patent is hereby corrected as shown below:

In the drawings, Fig 7, should be replaced with the corrected Fig 7 as shown on the attached page.

Signed and Sealed this  
Twenty-fourth Day of April, 2012

A handwritten signature in black ink that reads "David J. Kappos". The signature is written in a cursive, slightly slanted style.

David J. Kappos  
*Director of the United States Patent and Trademark Office*

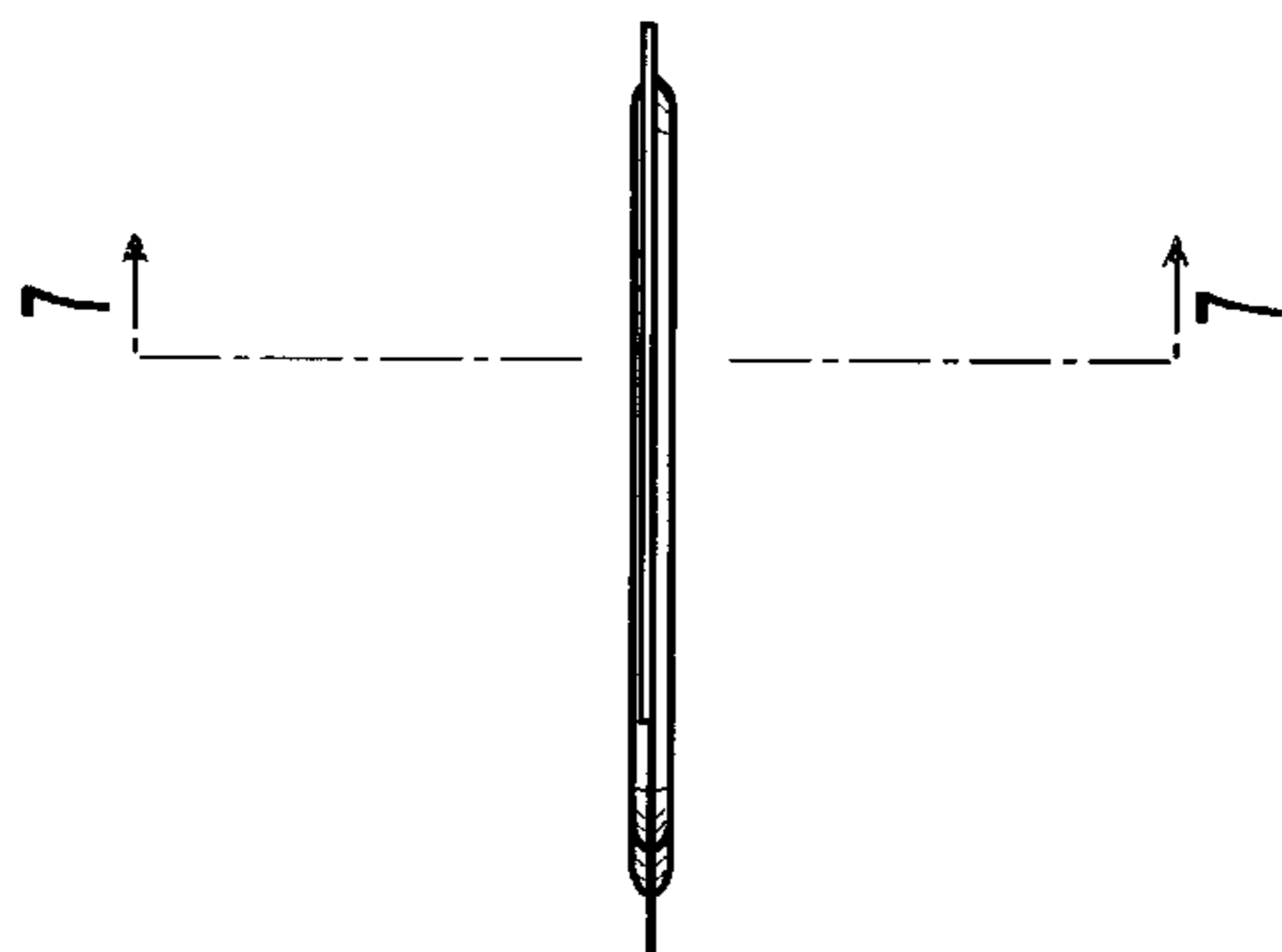


Fig. 5



Fig. 6



Fig. 7