



US00D627075S

(12) **United States Design Patent**
Galati, Jr. et al.

(10) **Patent No.:** **US D627,075 S**

(45) **Date of Patent:** **** Nov. 9, 2010**

(54) **FOOT SPA BOWL**

(75) Inventors: **Joseph J. Galati, Jr.**, Brookfield, WI
(US); **John Meyerovich**, Bal Harbour,
FL (US)

(73) Assignee: **Continuum Footspas, LLC**, New
Berlin, WI (US)

(**) Term: **14 Years**

(21) Appl. No.: **29/348,560**

(22) Filed: **Jan. 19, 2010**

(51) **LOC (9) Cl.** **23-02**

(52) **U.S. Cl.** **D24/204; D6/338**

(58) **Field of Classification Search** D6/330,
D6/335-338, 340, 349-355, 358, 359, 364,
D6/366, 376, 491, 495, 500-502; 297/16.1,
297/39, 46, 135, 140, 156, 158.3, 158.4,
297/175, 177, 187, 195.1, 195.11, 211, 245,
297/423.1, 423.16, 445.1, 461, 462; D23/277,
D23/289; D24/201, 204, 212, 213

See application file for complete search history.

(56) **References Cited**

U.S. PATENT DOCUMENTS

1,362,692 A	12/1920	Golstein
2,248,369 A	7/1941	Luderson
2,473,947 A	6/1949	Hamstrom
D166,402 S	4/1952	Manne et al.
D167,675 S	9/1952	Chancellor
3,633,967 A	1/1972	Timmins
D227,952 S	7/1973	Costabile et al.
3,881,471 A	5/1975	Grube
D262,911 S	2/1982	Weddell
D282,609 S	2/1986	Stulik
D288,993 S	3/1987	Grimsrud
4,767,160 A	8/1988	Mengshoel et al.
4,994,648 A	2/1991	Gil
D327,176 S	6/1992	Gil
D339,012 S	9/1993	Sexton
D346,043 S	4/1994	Galati, Jr. et al.
D352,401 S	11/1994	Bonazza

5,593,212 A	1/1997	Praria et al.
D391,408 S	3/1998	Lee
D424,819 S	5/2000	Galati, Jr. et al.
D429,380 S	8/2000	Fontier et al.
D431,637 S *	10/2000	Palmer D23/277
D434,916 S	12/2000	Galati, Jr. et al.
D435,371 S	12/2000	Galati, Jr. et al.
6,230,345 B1	5/2001	Borrero et al.
D450,390 S	11/2001	Tran
D455,017 S *	4/2002	Tran D6/336
D457,018 S *	5/2002	Park D6/495

(Continued)

OTHER PUBLICATIONS

AmeriSpa web pages, printed in 2007, 6 pages (<http://www.amerispa.com/main.html>).

(Continued)

Primary Examiner—Sandra Snapp
(74) *Attorney, Agent, or Firm*—Ryan Kromholz & Manion,
S.C.

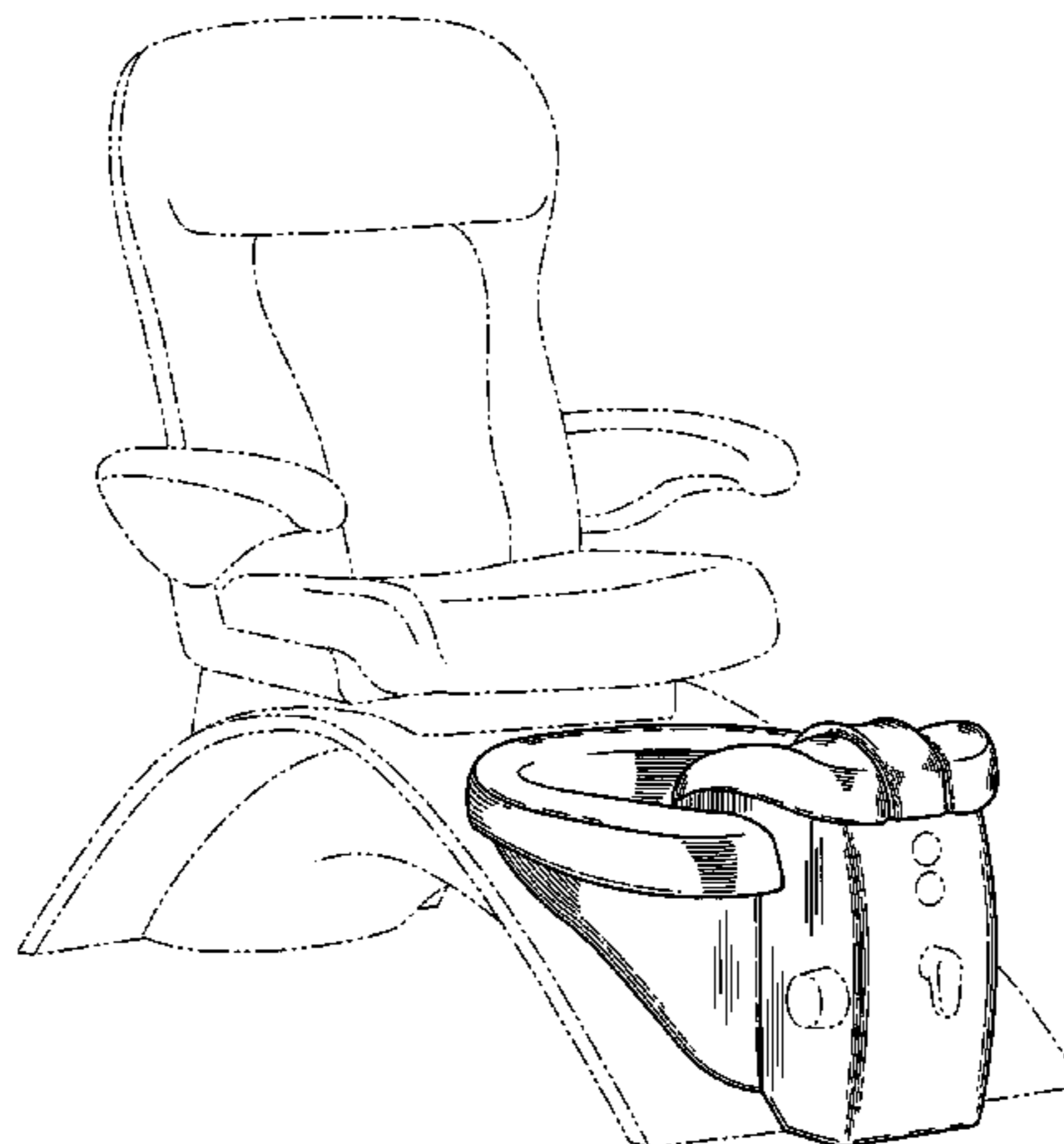
(57) **CLAIM**

The ornamental design for a foot spa bowl, as shown and described.

DESCRIPTION

FIG. 1 is a perspective view of our foot spa bowl;
FIG. 2 is another perspective view with the leg rest in an alternate position;
FIG. 3 is a front plan view;
FIG. 4 is a back plan view;
FIG. 5 is a top plan view;
FIG. 6 is a left side elevation view; and,
FIG. 7 is a right side elevation view.
The broken line showing of a base and seat in FIGS. 1-7 is illustrative of environmental structure only and forms no part of the claimed design.

1 Claim, 5 Drawing Sheets



U.S. PATENT DOCUMENTS

6,503,212 B2 1/2003 Park
 D479,919 S 9/2003 Genelli et al.
 6,732,387 B1 5/2004 Waldron
 D498,599 S 11/2004 Luong
 6,874,184 B2 4/2005 Chandler
 6,880,182 B2 4/2005 Gruenwald
 D508,616 S 8/2005 Ziliani
 D509,371 S 9/2005 Natuzzi
 D526,505 S 8/2006 Gruenwald et al.
 D531,420 S 11/2006 Kita
 7,168,107 B2 1/2007 Gruenwald
 D541,060 S * 4/2007 Fugate et al. D6/335
 7,228,579 B2 6/2007 Tidwell
 D548,987 S 8/2007 McNae
 D549,999 S 9/2007 Fugate et al.
 D559,570 S 1/2008 Higgs et al.
 7,322,949 B2 1/2008 Shimizu
 D562,575 S 2/2008 Le
 D565,739 S * 4/2008 Tran D24/204
 D568,485 S 5/2008 Ton
 D569,135 S * 5/2008 Galati et al. D6/495
 D569,986 S 5/2008 Ton
 D571,018 S 6/2008 Ton et al.
 D574,502 S 8/2008 Ton
 D576,806 S 9/2008 Le
 D576,807 S 9/2008 Le
 D583,957 S 12/2008 Bromilow
 D585,142 S * 1/2009 Galati et al. D24/213
 7,490,374 B2 2/2009 Fugate et al.
 D588,707 S 3/2009 Mai et al.
 D592,312 S 5/2009 Cheng
 D596,417 S 7/2009 Bowen
 D598,120 S * 8/2009 Mai et al. D24/204
 D603,522 S * 11/2009 Elliott D24/204
 D610,697 S * 2/2010 Tran D24/213
 7,669,934 B1 3/2010 Cline
 D614,306 S * 4/2010 Mai D24/204
 D616,560 S * 5/2010 Cong D24/204
 2004/0177438 A1 9/2004 Gruenwald et al.

2004/0244107 A1 12/2004 Waldron
 2005/0183198 A1 8/2005 Gruenwald
 2005/0204466 A1 9/2005 Luong
 2007/0226896 A1 10/2007 Fugate et al.
 2007/0226897 A1 10/2007 Fugate

OTHER PUBLICATIONS

Belvedere Company web pages, printed in 2007, 7 pages (<http://www.belvedere.com/home.aspx>).
 European Touch web pages, printed in 2007, 8 pages (<http://europeantouch.com>).
 Gulstream Plastics Ltd. web pages, printed in 2007, 7 pages (<http://www.gulstreamplastic.com>).
 J&A USA web pages, printed in 2007, 10 pages (<http://www.jausainc.com>).
 Lexor Footspas Inc. web pages, printed in 2007, 3 pages (<http://www.lexorinc.com>).
 Salon Equipment, Inc. web pages, printed in 2007, 4 pages (<http://www.oasis-se.com/spas/>).
 ProSpa Inc., web pages, printed in 2007, 2 pages (<http://www.prospa1.com/>).
 Salon Tech, web pages, printed in 2007, 2 pages (<http://www.salontech.com/st2007/>).
 Skyline Beauty Supply Corp.—Whale Spa, web pages, printed Mar. 20, 2008, 6 pages (<http://skylinebeautysupply.com>).
 VNF International, web pages, printed Mar. 20, 2008, 6 pages (<http://www.pssnell-service.com/Manufacturer.htm>).
 T4 Spa Concepts & Design, web pages, printed Mar. 20, 2008, 7 pages (<http://www.t4spa.com>).
 Spa Zi, Division of LC Corp., web pages, printed Mar. 20, 2008, 4 pages (<http://www.thespazi.com>).
 Sanijet—Pipeless Pedicure Equipment, web pages, printed Mar. 20, 2008, 2 pages (http://www.sanijet.com/Products_Pedicure.aspx).
 Aqua Spas, web pages, printed Mar. 20, 2008, 3 pages (<http://aquaspas1.com>).
 Beauty Mall Ltd., web pages, printed Mar. 20, 2008, 6 pages (<http://beautymallltd.com>).
 Euro Spa, web page, printed Mar. 20, 2008, 1 page (<http://www.princesspedicurespas.com/manufacture/eurospa.html#bella320>).

* cited by examiner

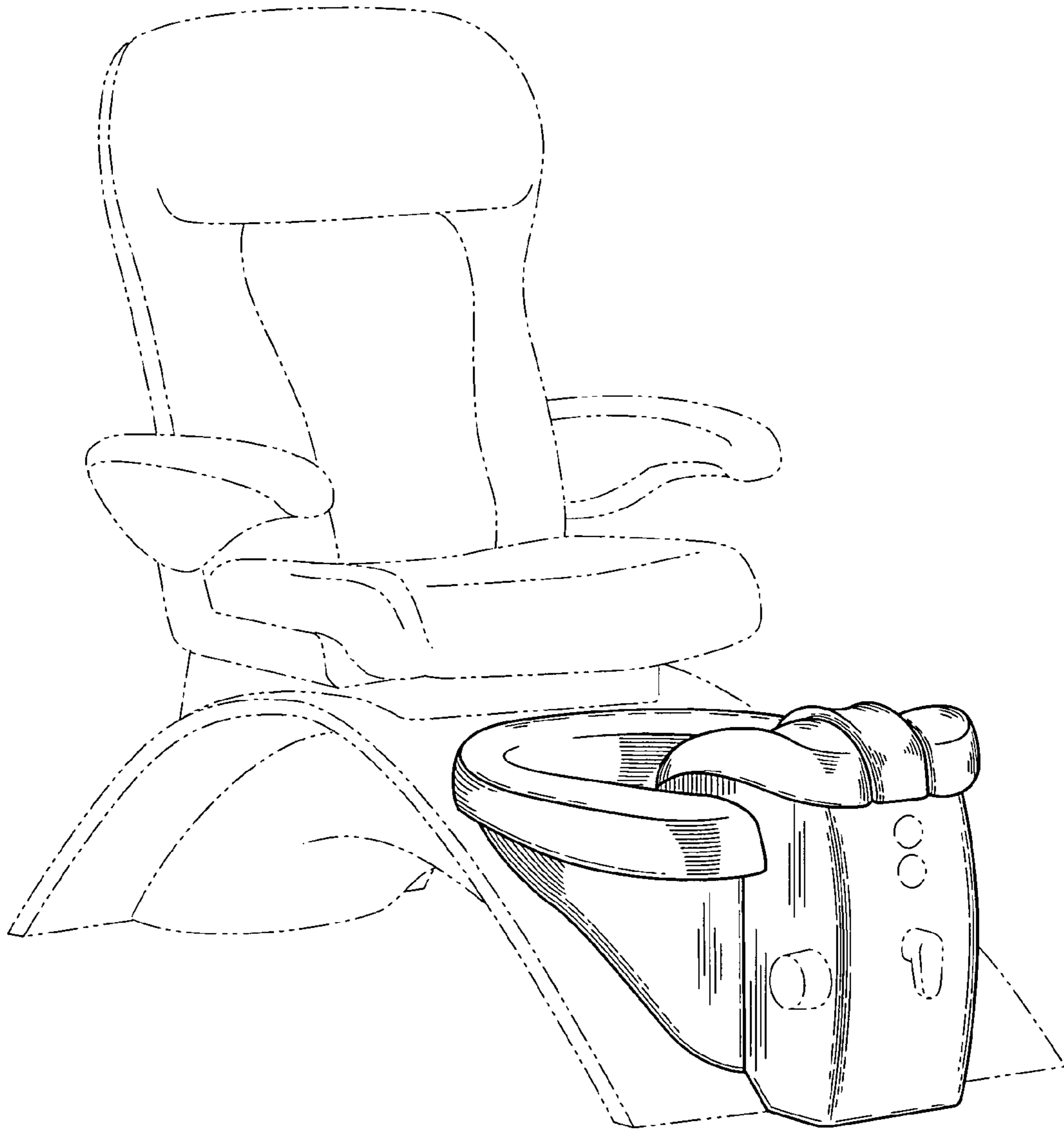


Fig. 1

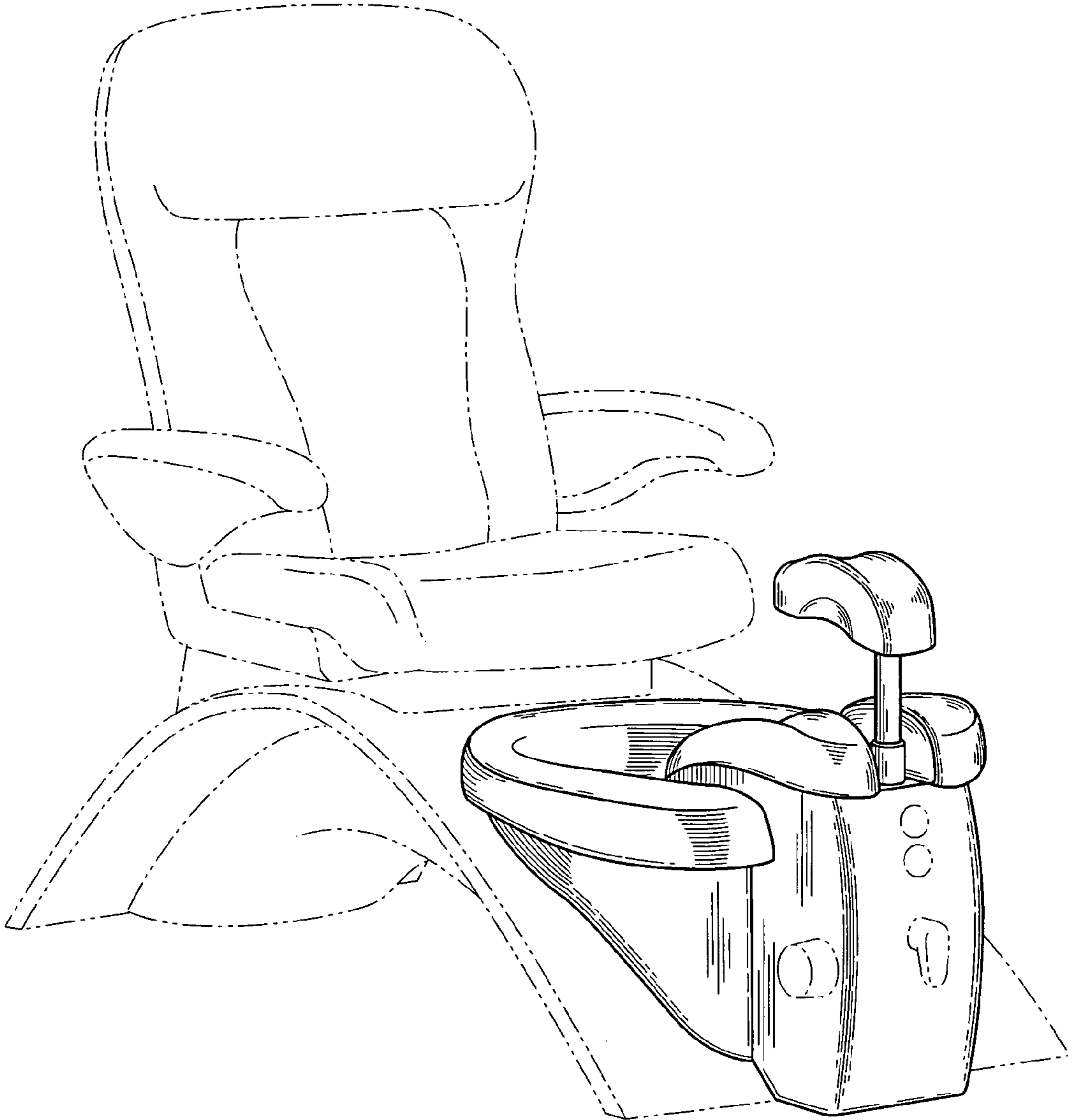


Fig. 2

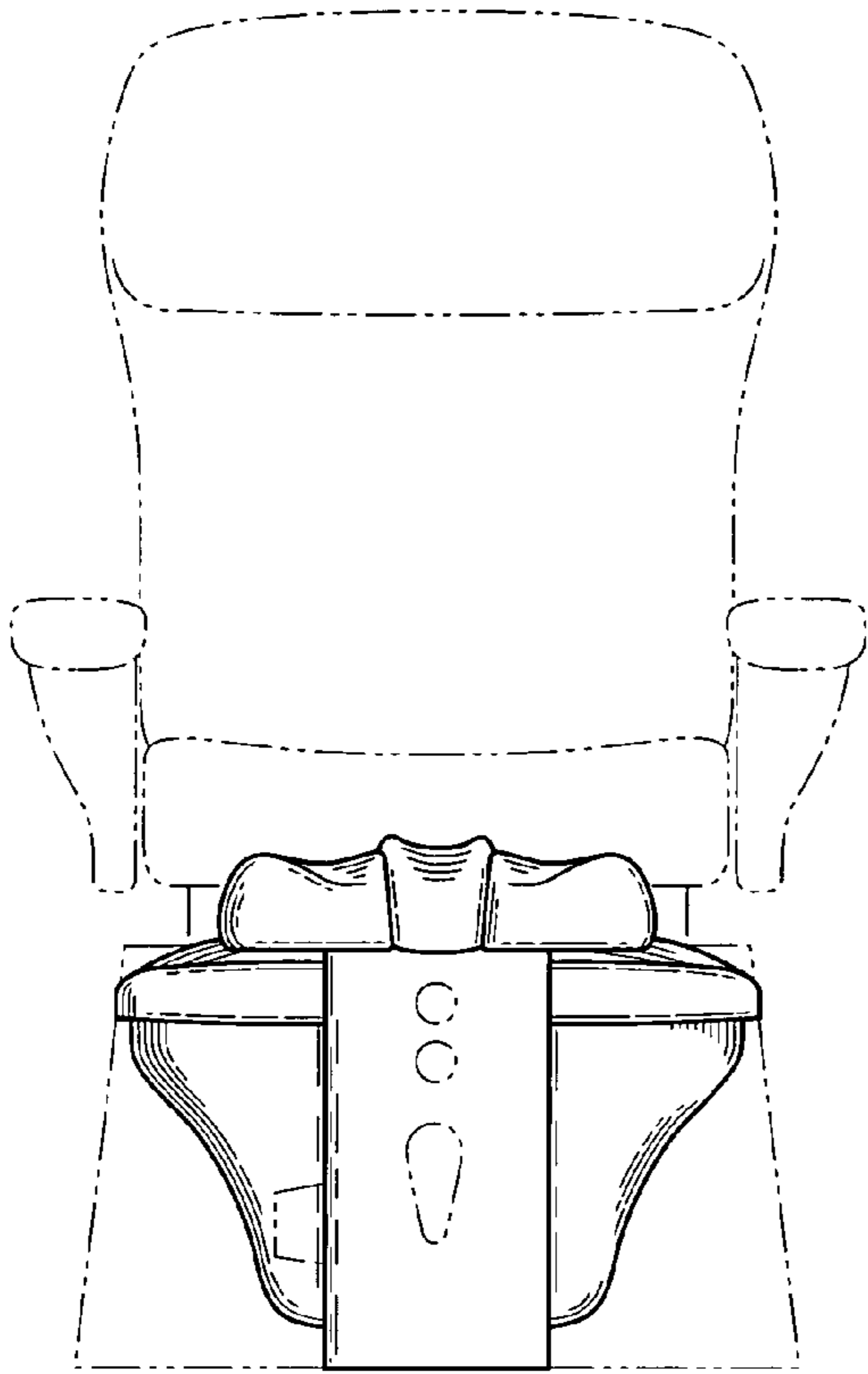


Fig. 3

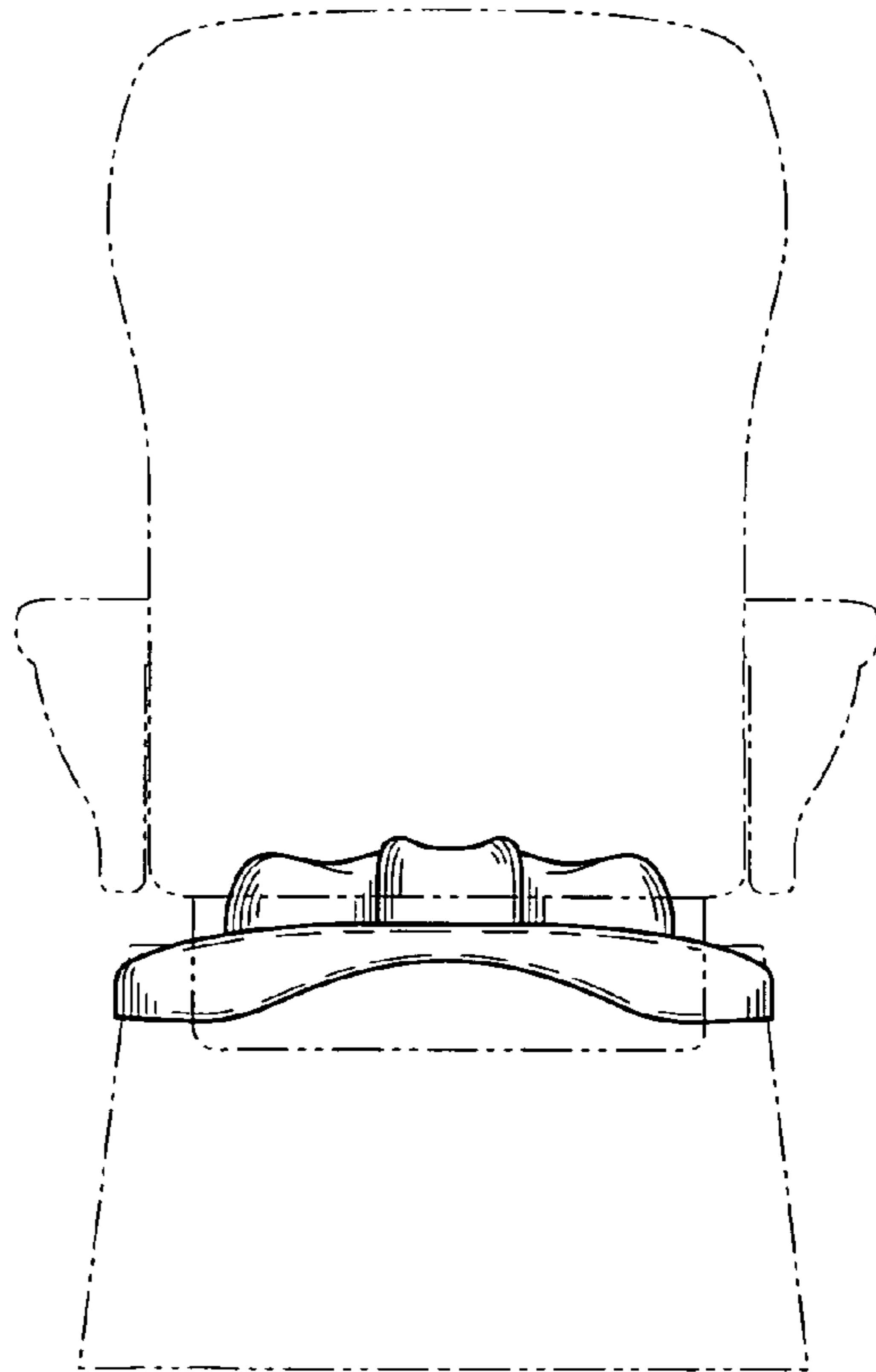


Fig. 4

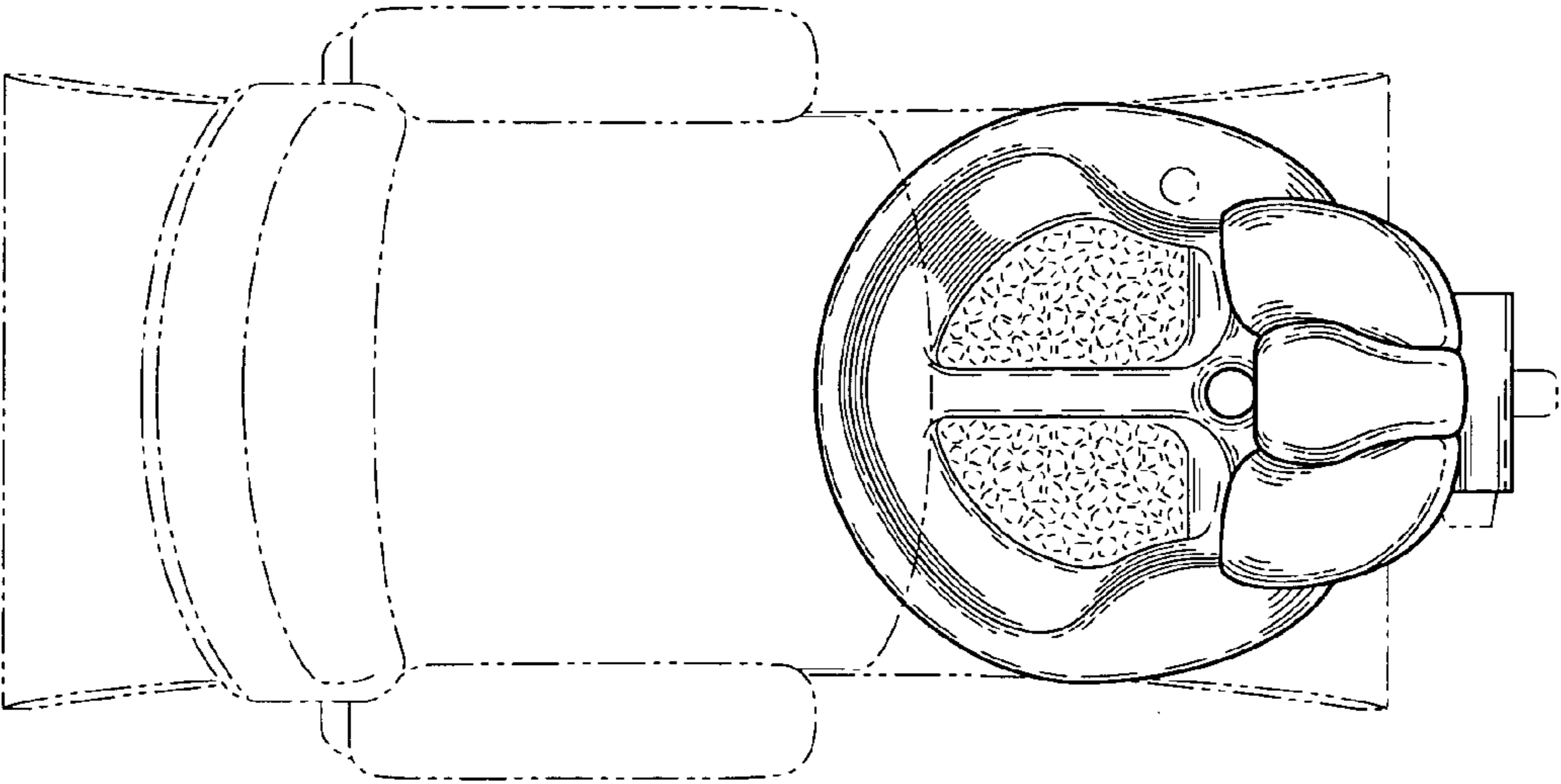


Fig. 5

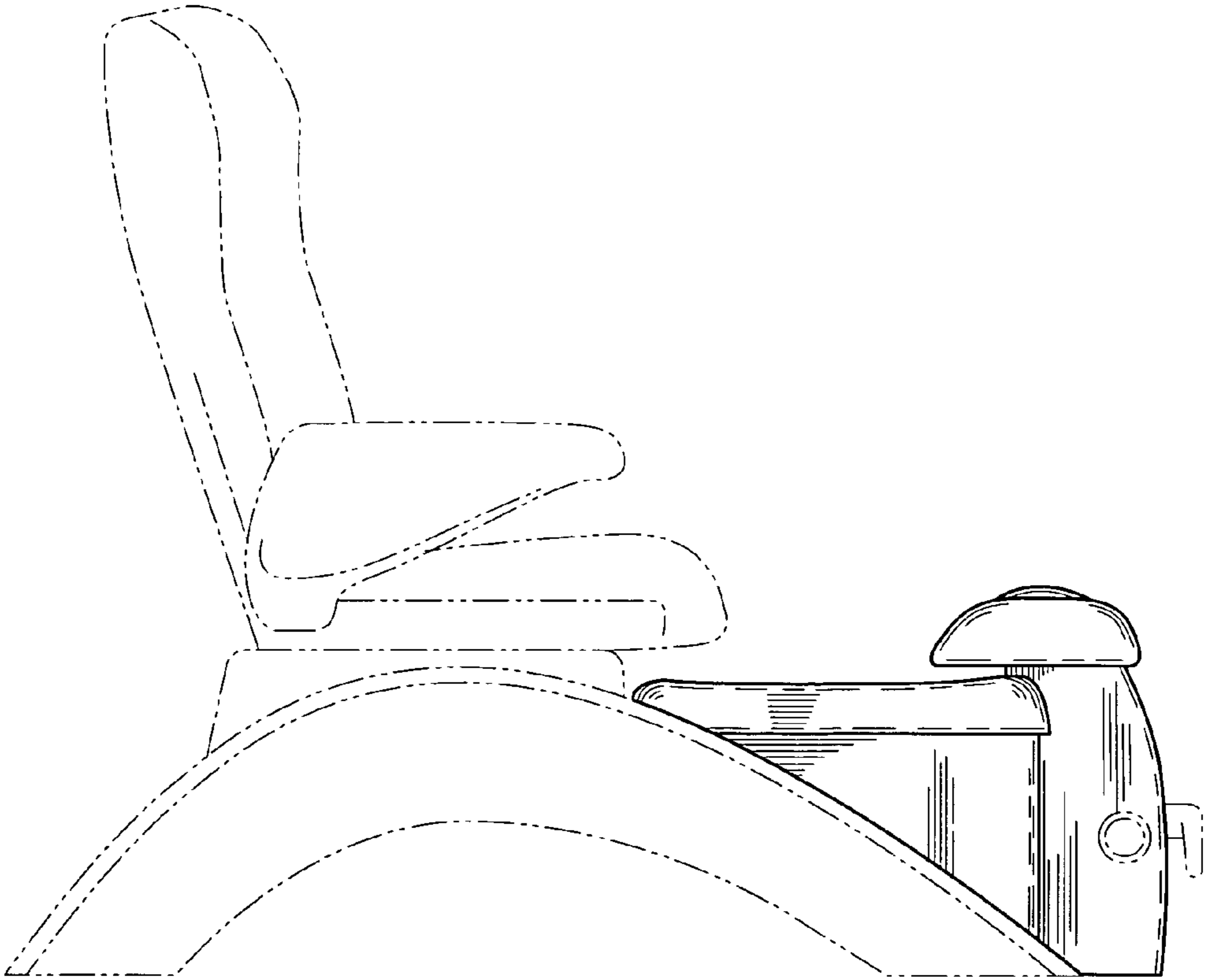


Fig. 6

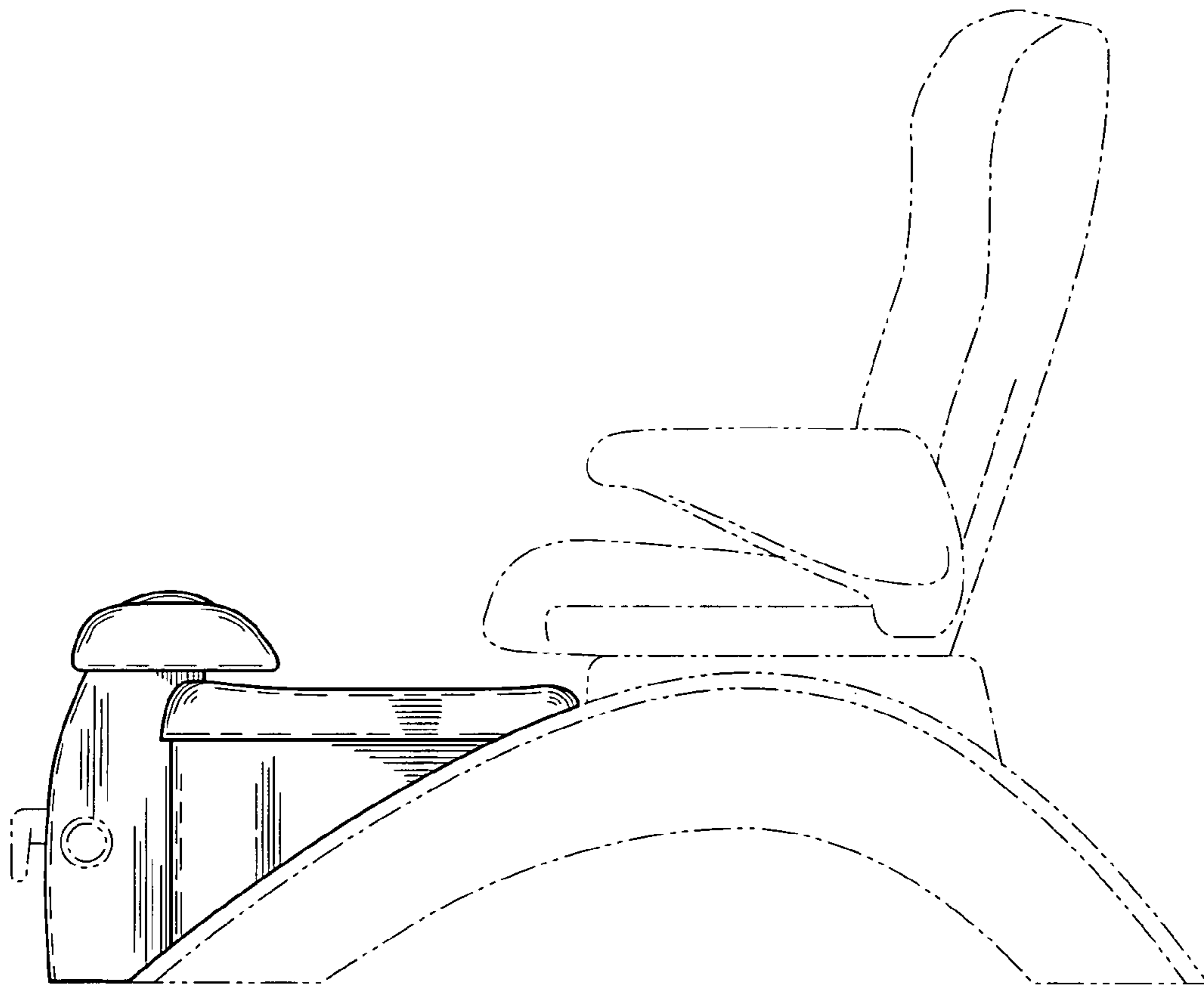


Fig. 7