



US00D627074S

(12) **United States Design Patent**  
**Ray**

(10) **Patent No.:** **US D627,074 S**  
(45) **Date of Patent:** **\*\* Nov. 9, 2010**

(54) **FOOT PILLOW**

(76) **Inventor:** **Loraine E. Ray**, 460 Maynard Rd.,  
Route 19, P.O. Box 184, Spanishburg,  
WV (US) 25922

(\*\*) **Term:** **14 Years**

(21) **Appl. No.:** **29/357,881**

(22) **Filed:** **Mar. 18, 2010**

(51) **LOC (9) Cl.** ..... **24-01**

(52) **U.S. Cl.** ..... **D24/192**

(58) **Field of Classification Search** ..... D24/183-184,  
D24/190, 192, 206; D6/349, 595, 596, 601,  
D6/604; D29/113, 121.2; 602/5, 19, 23,  
602/26, 61-62; 5/648, 650-651, 655.9; 128/101.1,  
128/876, 882; 297/284.5, 423.41-423.45  
See application file for complete search history.

(56) **References Cited**

**U.S. PATENT DOCUMENTS**

621,098	A *	3/1899	Kelly	.....	248/371
815,046	A *	3/1906	Sherman	.....	297/188.01
2,600,759	A *	6/1952	Gross	.....	248/166
2,644,688	A *	7/1953	Roberge	.....	482/148
4,076,022	A	2/1978	Walker		
4,186,738	A	2/1980	Schleicher et al.		
4,243,028	A *	1/1981	Puyana	.....	602/62
4,278,079	A	7/1981	Simhoni et al.		
4,409,975	A *	10/1983	Simhoni	.....	128/892
4,471,993	A *	9/1984	Watson	.....	297/284.5
D282,407	S *	2/1986	Braun et al.	.....	D2/866
4,926,884	A	5/1990	Lonardo		
5,085,214	A *	2/1992	Barrett	.....	5/648
D332,663	S	1/1993	Liszewski		
5,179,942	A *	1/1993	Drulias et al.	.....	128/101.1
5,725,486	A *	3/1998	Engelman	.....	602/5
D393,561	S *	4/1998	Hayes	.....	D6/596

D406,486	S *	3/1999	Ogilvie	.....	D6/596
6,175,979	B1	1/2001	Jackson		
D453,969	S	2/2002	Callsen et al.		
6,935,697	B2 *	8/2005	Conlon et al.	.....	297/423.41
6,968,585	B2 *	11/2005	Shaw	.....	5/648
7,150,057	B1 *	12/2006	Santiago et al.	.....	5/648
D552,398	S *	10/2007	Lakomy	.....	D6/601
D555,253	S *	11/2007	McConnico et al.	.....	D24/192
7,334,275	B1 *	2/2008	Kirkwood	.....	5/81.1 R
D612,187	S *	3/2010	Visco	.....	D6/604
2009/0112139	A1 *	4/2009	Chapman	.....	602/23

\* cited by examiner

*Primary Examiner*—Susan E Krakower

(57) **CLAIM**

The ornamental design for a foot pillow, as shown and described.

**DESCRIPTION**

FIG. 1 is a top view of a foot pillow showing my new design;

FIG. 2 is a bottom view thereof;

FIG. 3 is an enlarged side view thereof;

FIG. 4 is a front view (back view is mirror image) thereof;

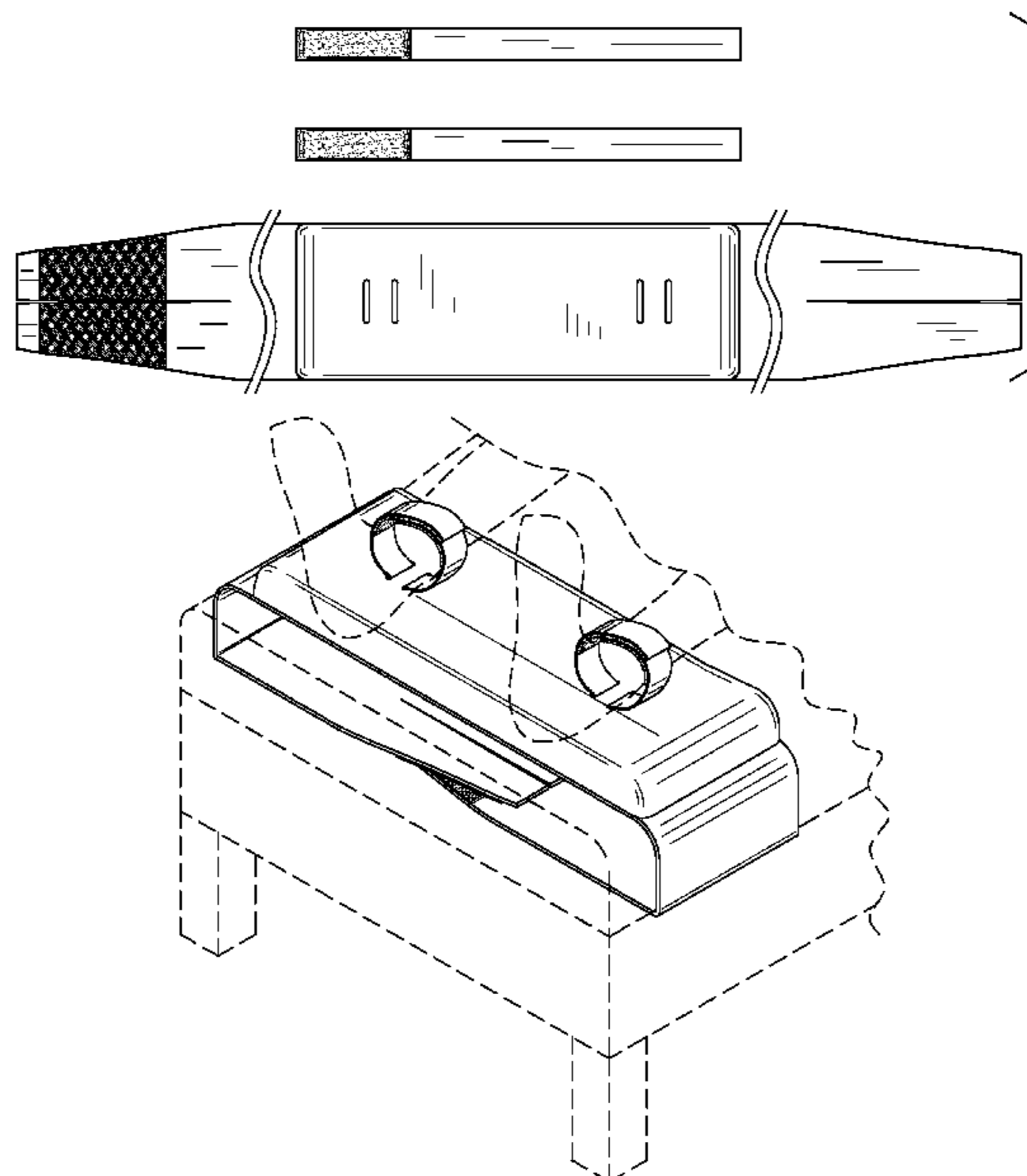
FIG. 5 is a perspective view with straps inserted into slots of foot pillow thereof; and,

FIG. 6 is a perspective view of a foot pillow thereof, shown with the ankle straps removed for clarity of illustration.

In FIG. 5, the broken lines showing of environmental structure for purposes of illustrating the foot pillow in a condition of use. The broken lines and the structure they depict form no part of the claimed design.

The securing straps connected to each side of the foot pillow are shown broken away to indicate they have no specific length.

**1 Claim, 6 Drawing Sheets**



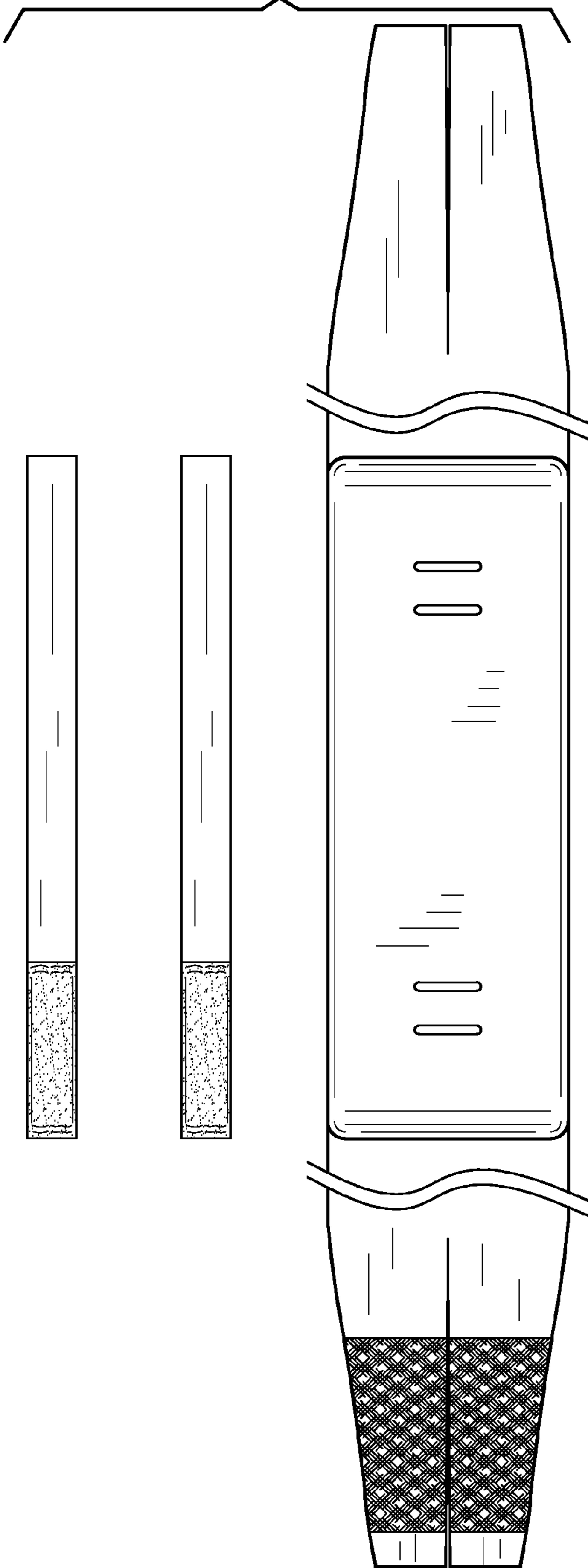
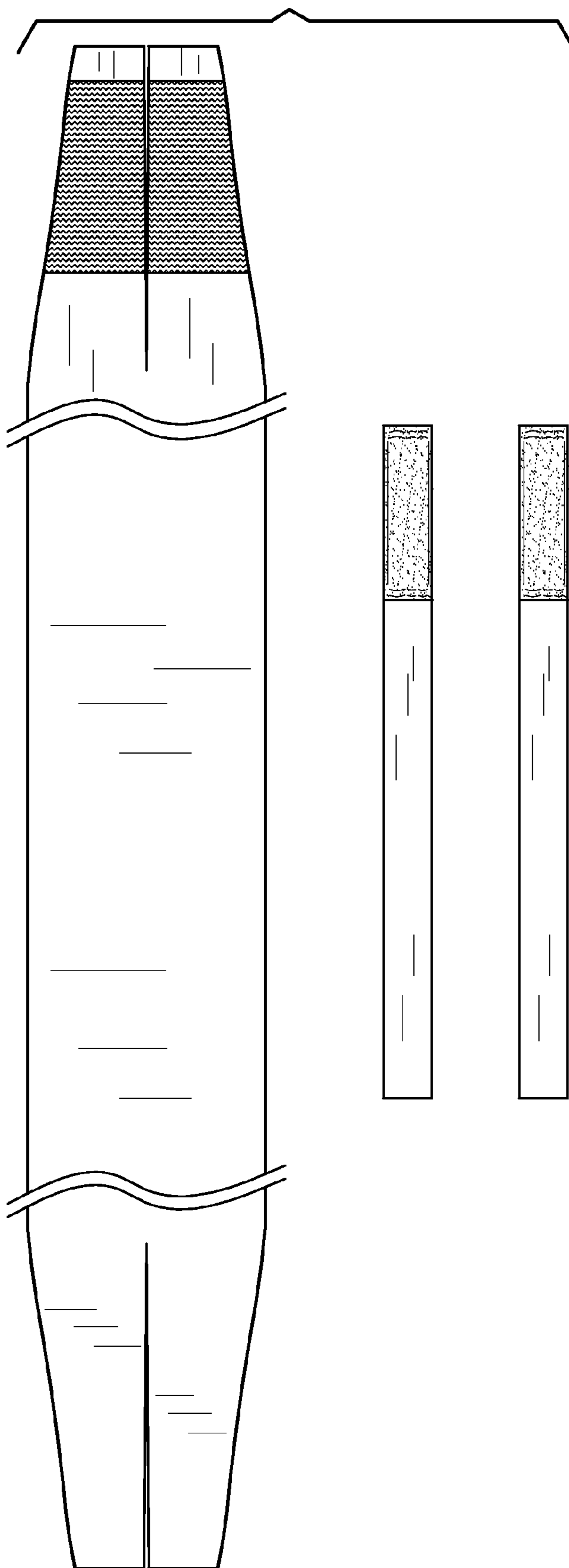


FIG. 1

FIG. 2



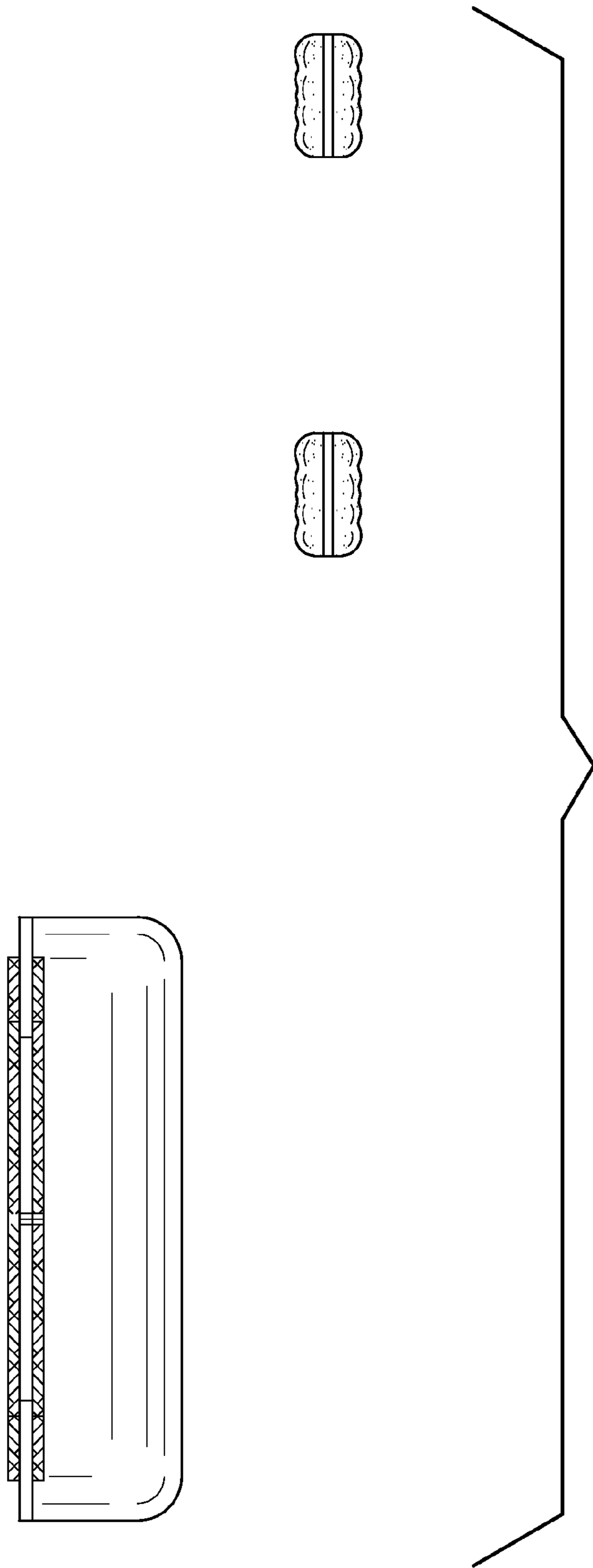


FIG. 3

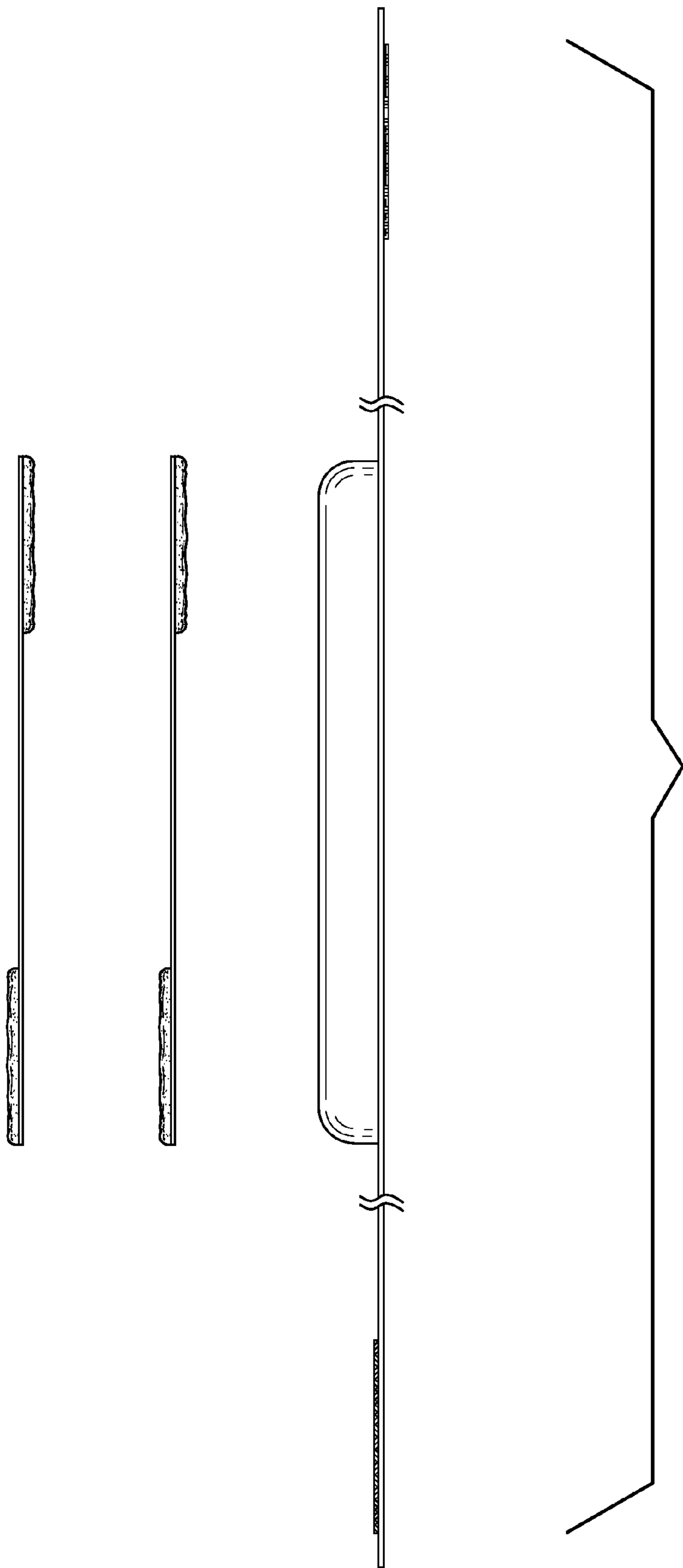


FIG. 4

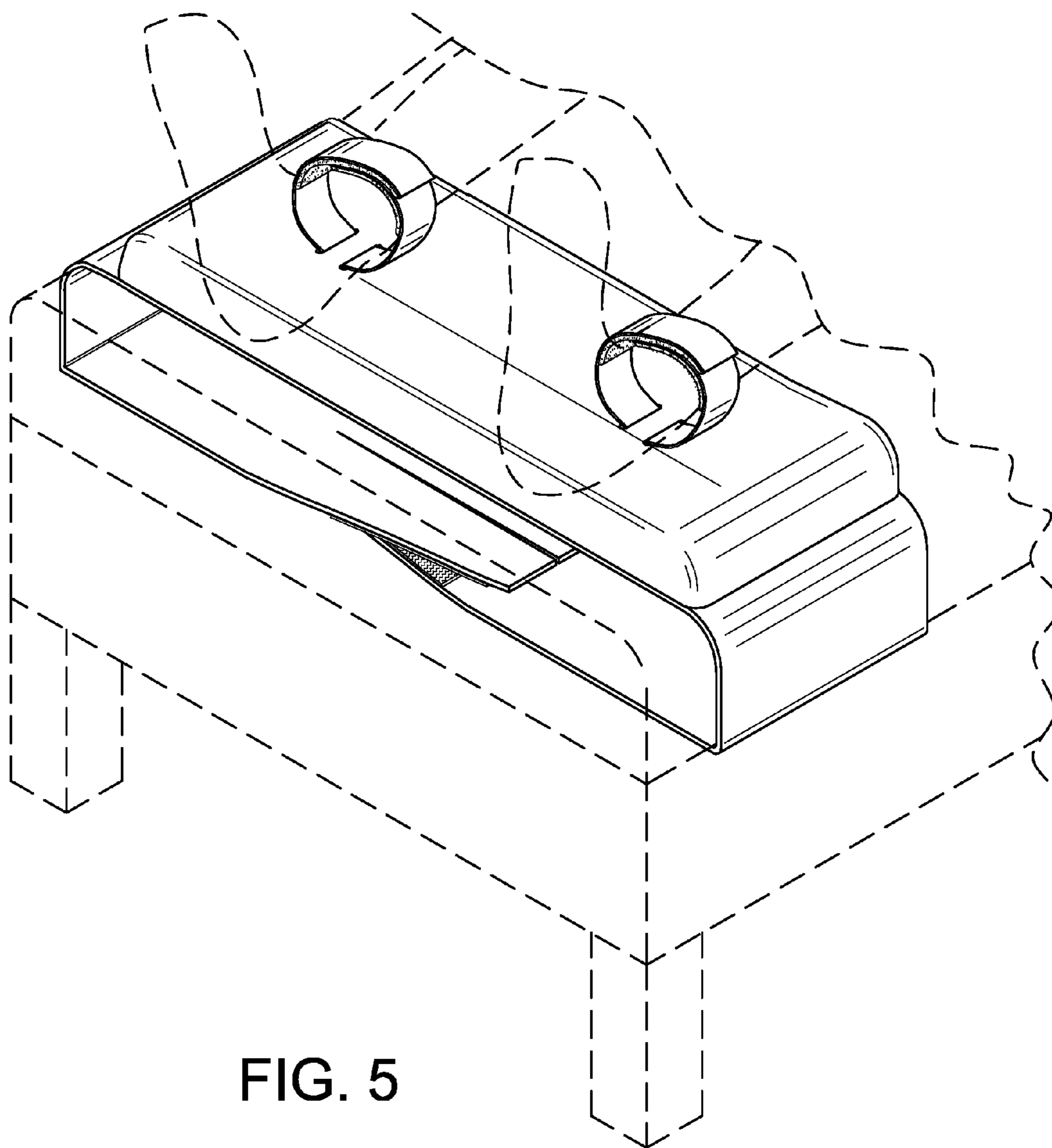


FIG. 5



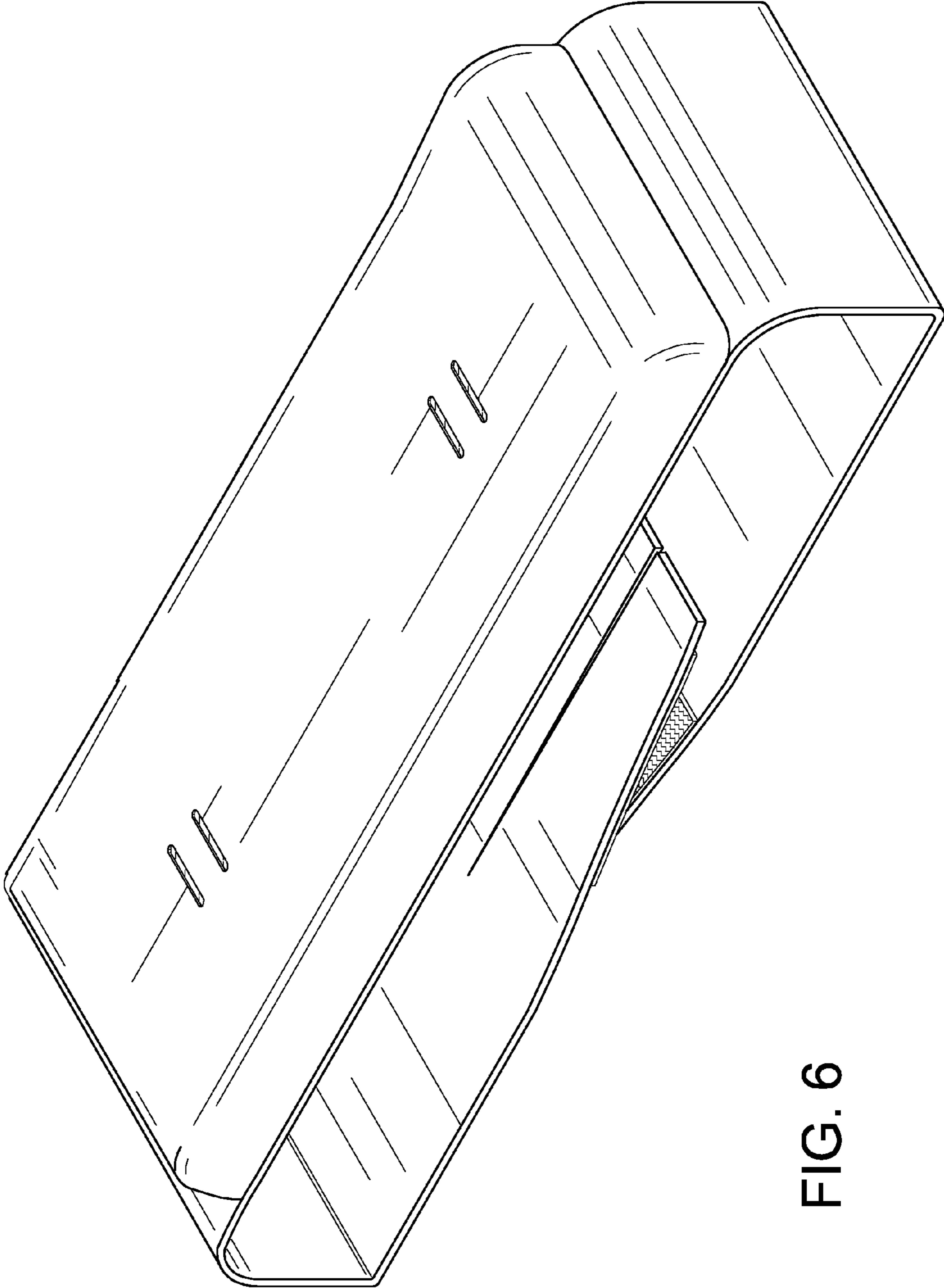


FIG. 6