



US00D627073S

(12) **United States Design Patent**
Nace

(10) **Patent No.:** **US D627,073 S**

(45) **Date of Patent:** **** Nov. 9, 2010**

(54) **KNEE BRACE**

(76) **Inventor:** **Richard A. Nace**, SJO 1905, P.O. Box 25216, Miami, FL (US) 33102-5216

(**) **Term:** **14 Years**

(21) **Appl. No.:** **29/358,585**

(22) **Filed:** **Mar. 30, 2010**

(51) **LOC (9) Cl.** **24-01**

(52) **U.S. Cl.** **D24/190**

(58) **Field of Classification Search** D24/190,
D24/192, 100, 206; D29/120.1, 120.2, 121.1;
602/2, 5, 6, 16, 20, 23, 26, 60-66; 2/16,
2/22, 24; 66/171, 172 R, 172 E

See application file for complete search history.

(56) **References Cited**

U.S. PATENT DOCUMENTS

4,372,298	A *	2/1983	Lerman	602/26
4,802,466	A *	2/1989	Meyers et al.	602/26
5,063,916	A *	11/1991	France et al.	602/26
5,207,637	A *	5/1993	Janke et al.	602/26
D370,261	S *	5/1996	Kilbey	D24/190
D372,536	S *	8/1996	Grifka	D24/190
5,586,970	A *	12/1996	Morris et al.	602/26
D546,955	S *	7/2007	Bauerfiend et al.	D24/190
7,311,687	B2 *	12/2007	Hoffmeier et al.	602/26
7,608,051	B1 *	10/2009	Nace	602/16

2003/0045822	A1 *	3/2003	Nelson et al.	602/26
2004/0204667	A2 *	10/2004	Nelson et al.	602/26
2010/0056970	A1 *	3/2010	Nace	602/26

* cited by examiner

Primary Examiner—Susan E Krakower

(74) *Attorney, Agent, or Firm*—James E. Larson

(57) **CLAIM**

I claim the ornamental design for a knee brace, as shown and described.

DESCRIPTION

FIG. 1 is a front elevation of the knee brace showing my new design;

FIG. 2 is a back elevation thereof;

FIG. 3 is a right side view thereof;

FIG. 4 is a left side view thereof;

FIG. 5 is a top plan view thereof;

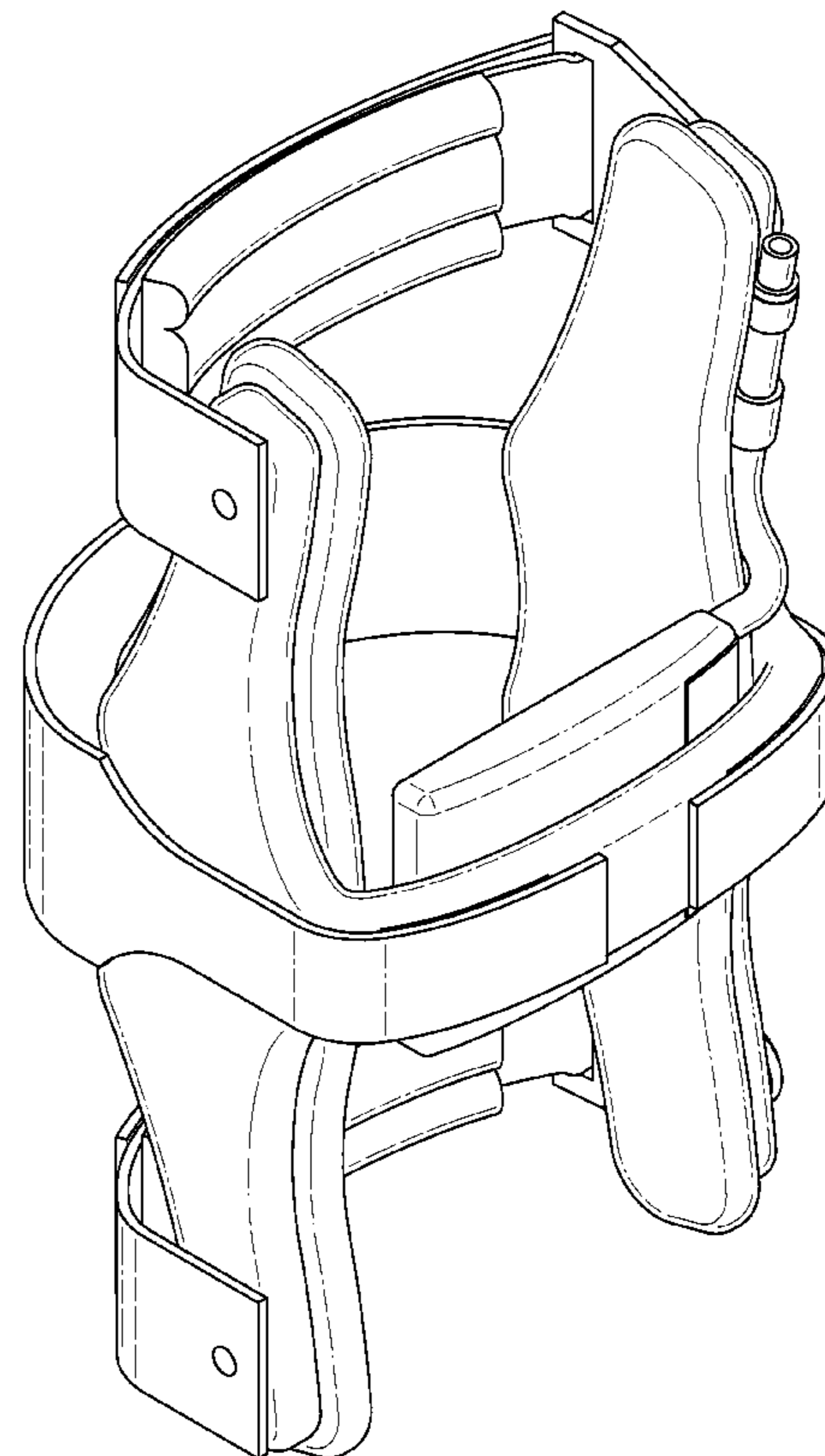
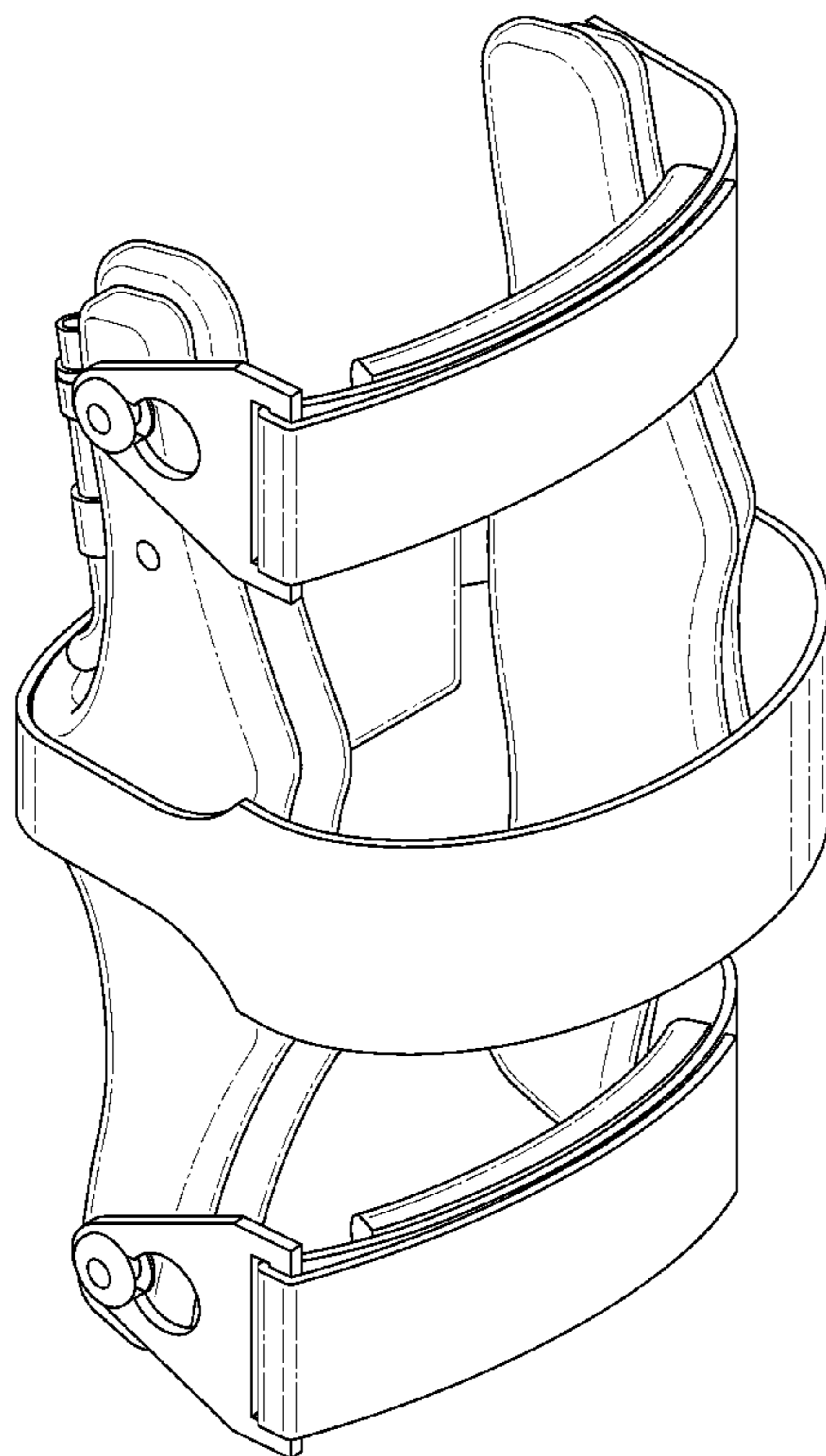
FIG. 6 is a bottom plan view thereof;

FIG. 7 is a front perspective view thereof; and,

FIG. 8 is a back perspective view thereof.

It is understood that the broken lines in FIG. 1 illustrating a human knee and leg are considered environmental structure and form no part of the claimed design.

1 Claim, 7 Drawing Sheets



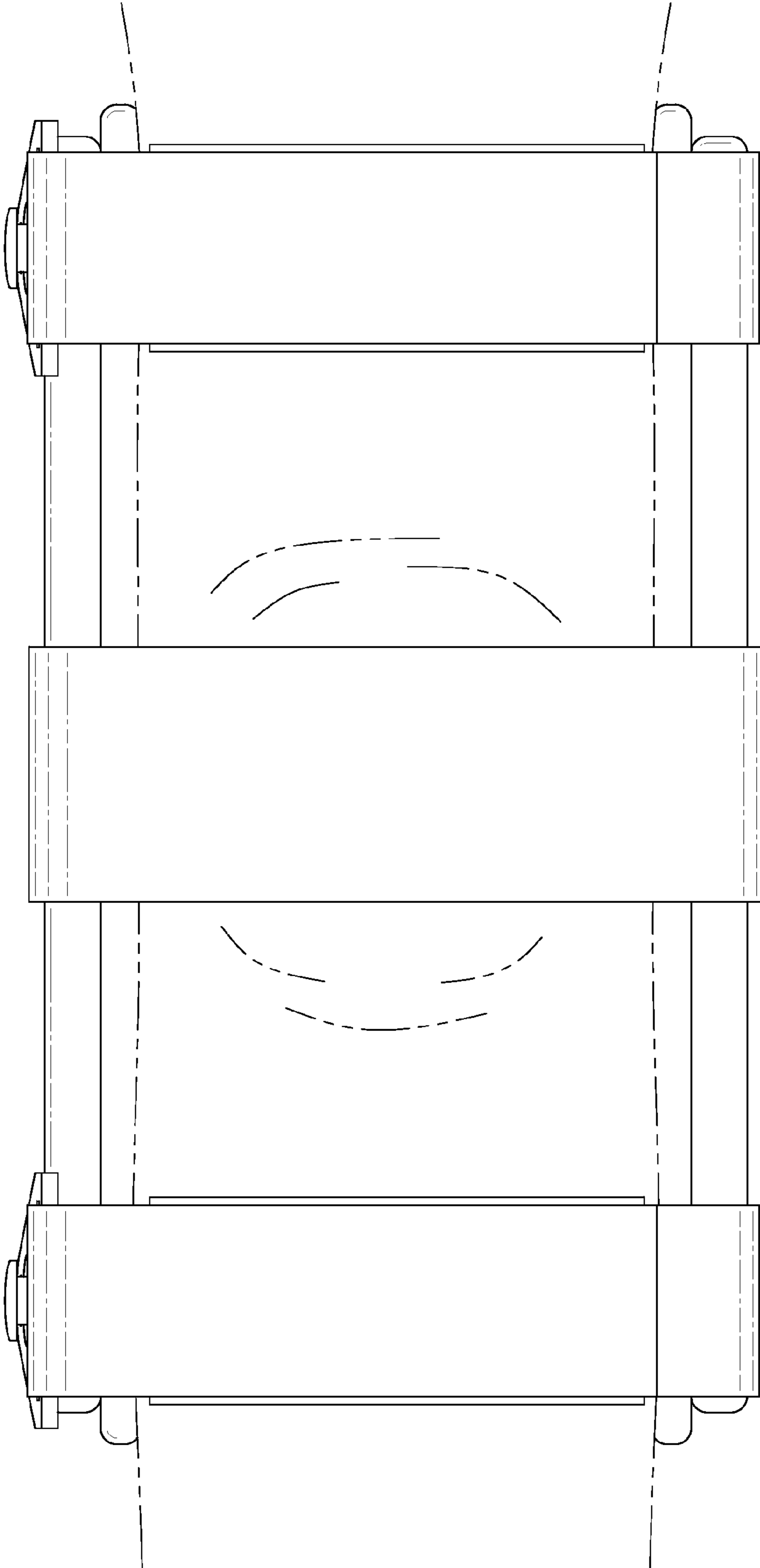


FIG. 1

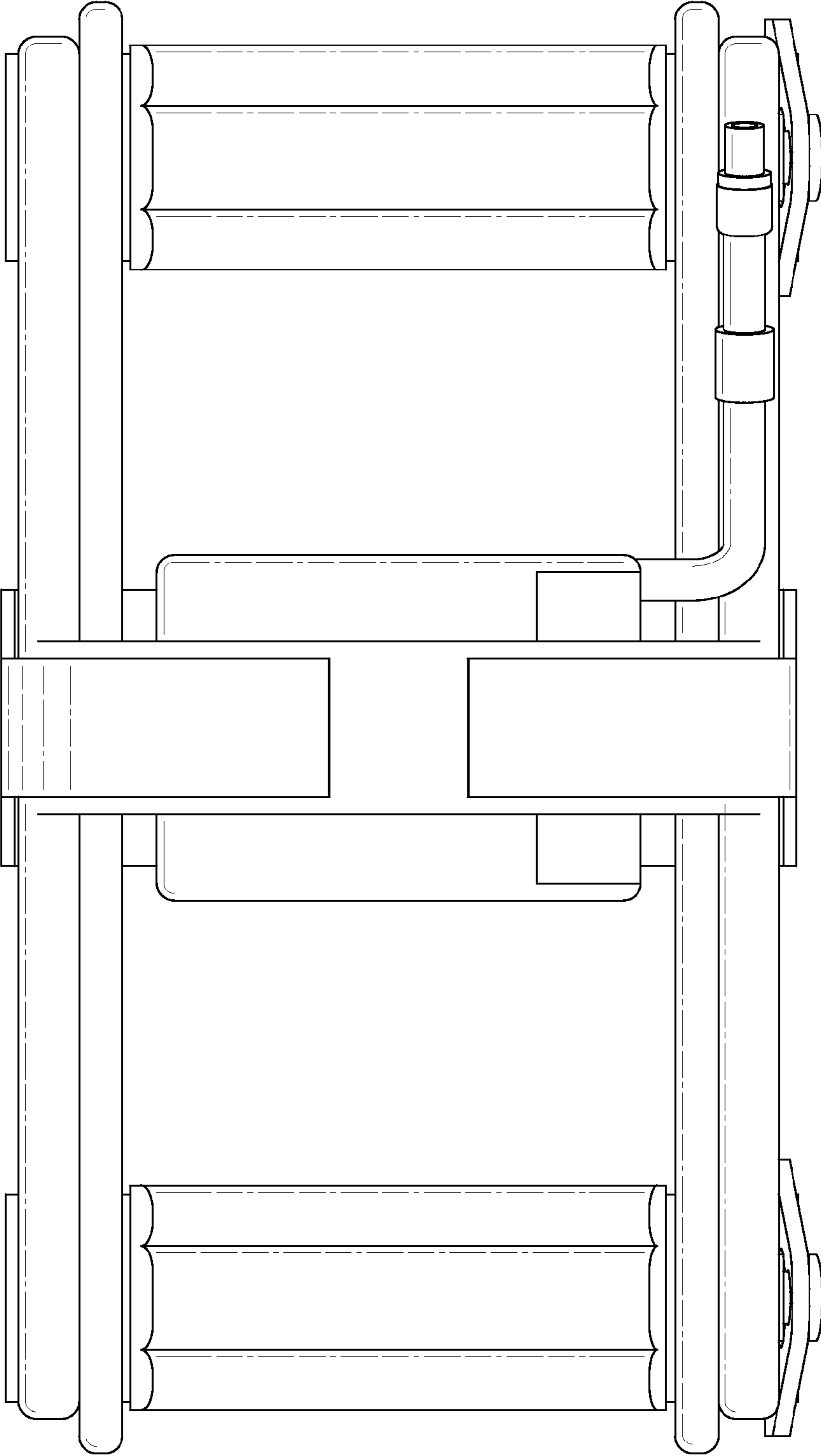


FIG. 2

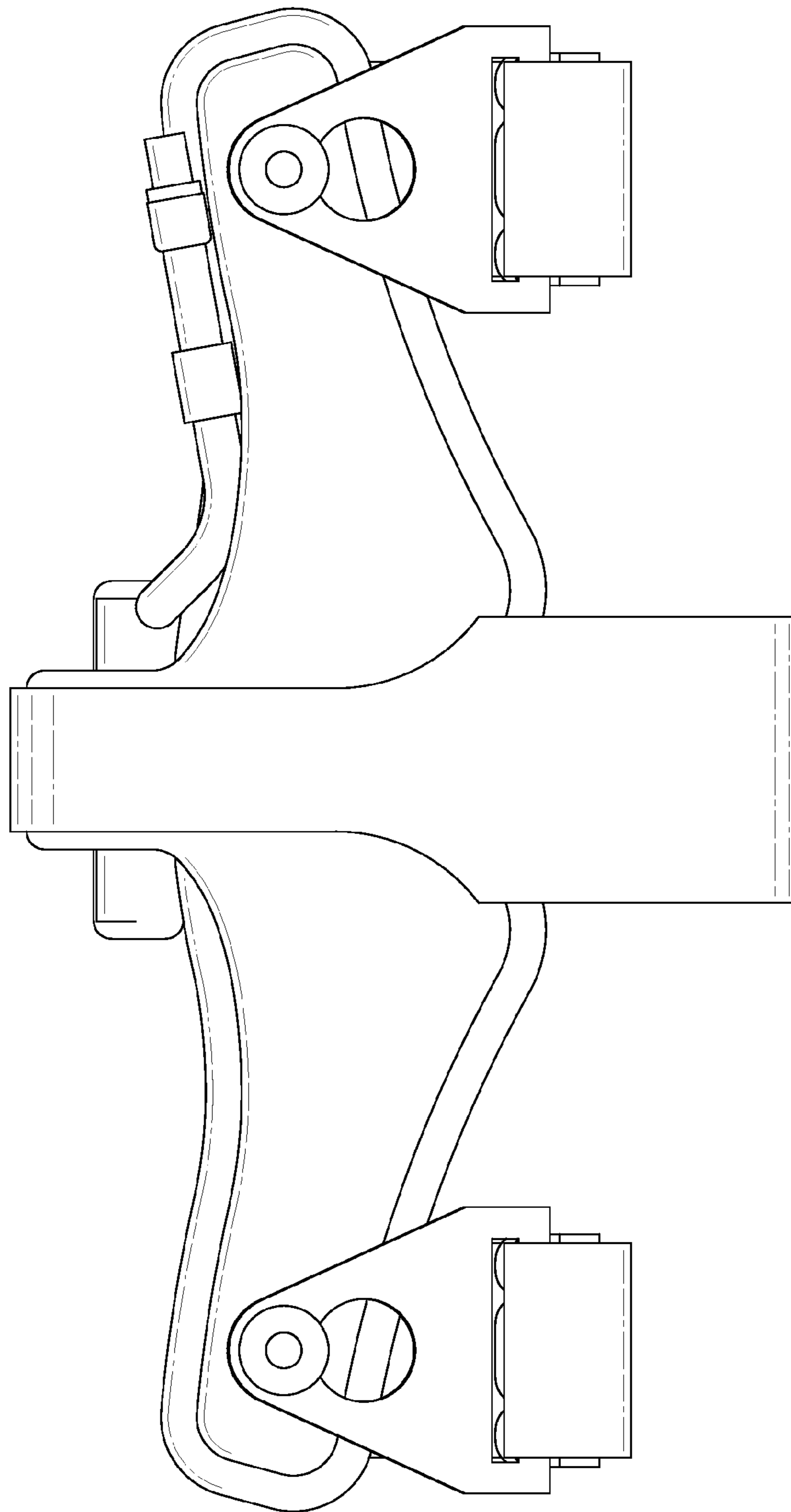


FIG. 3

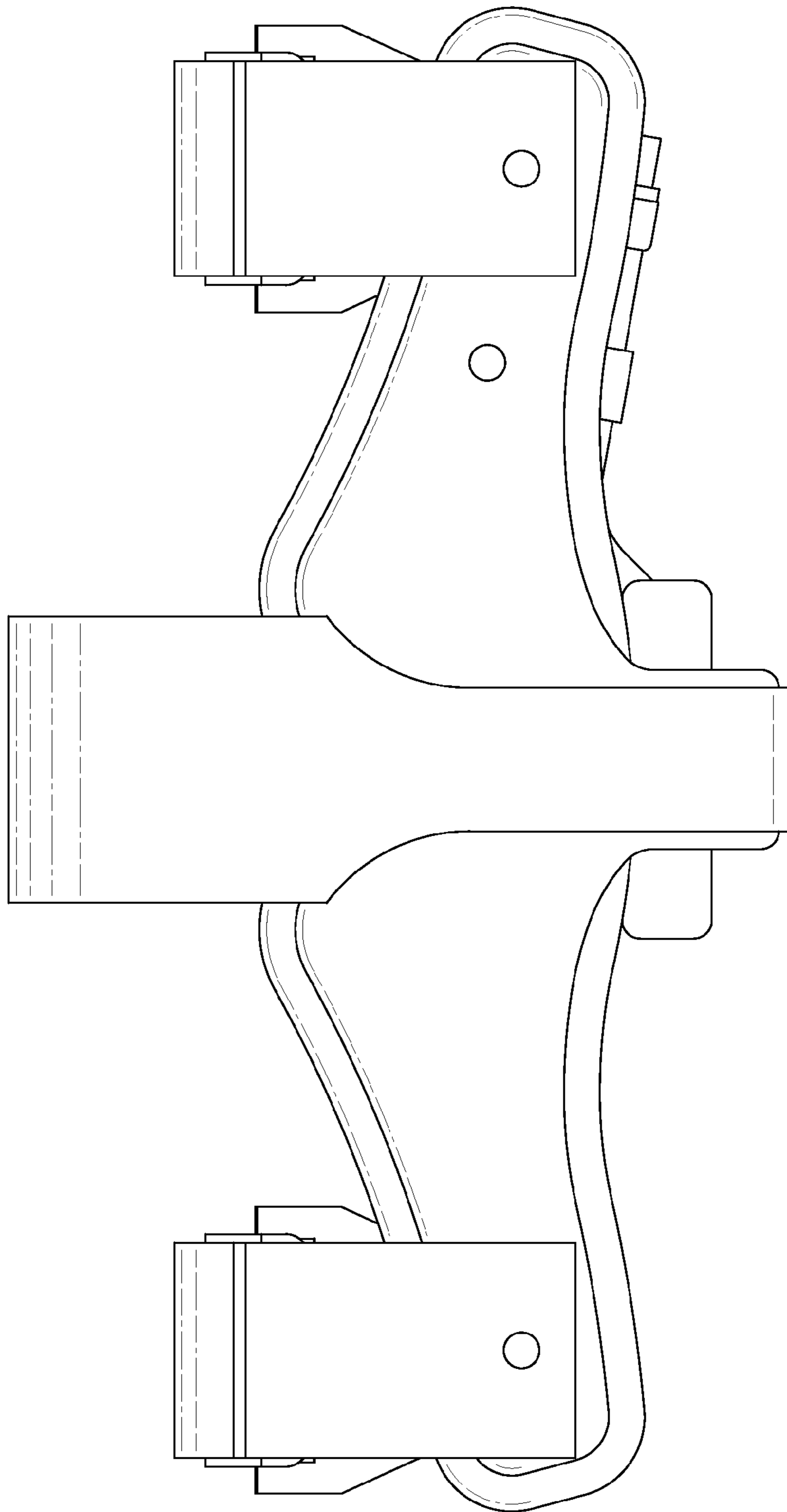


FIG. 4

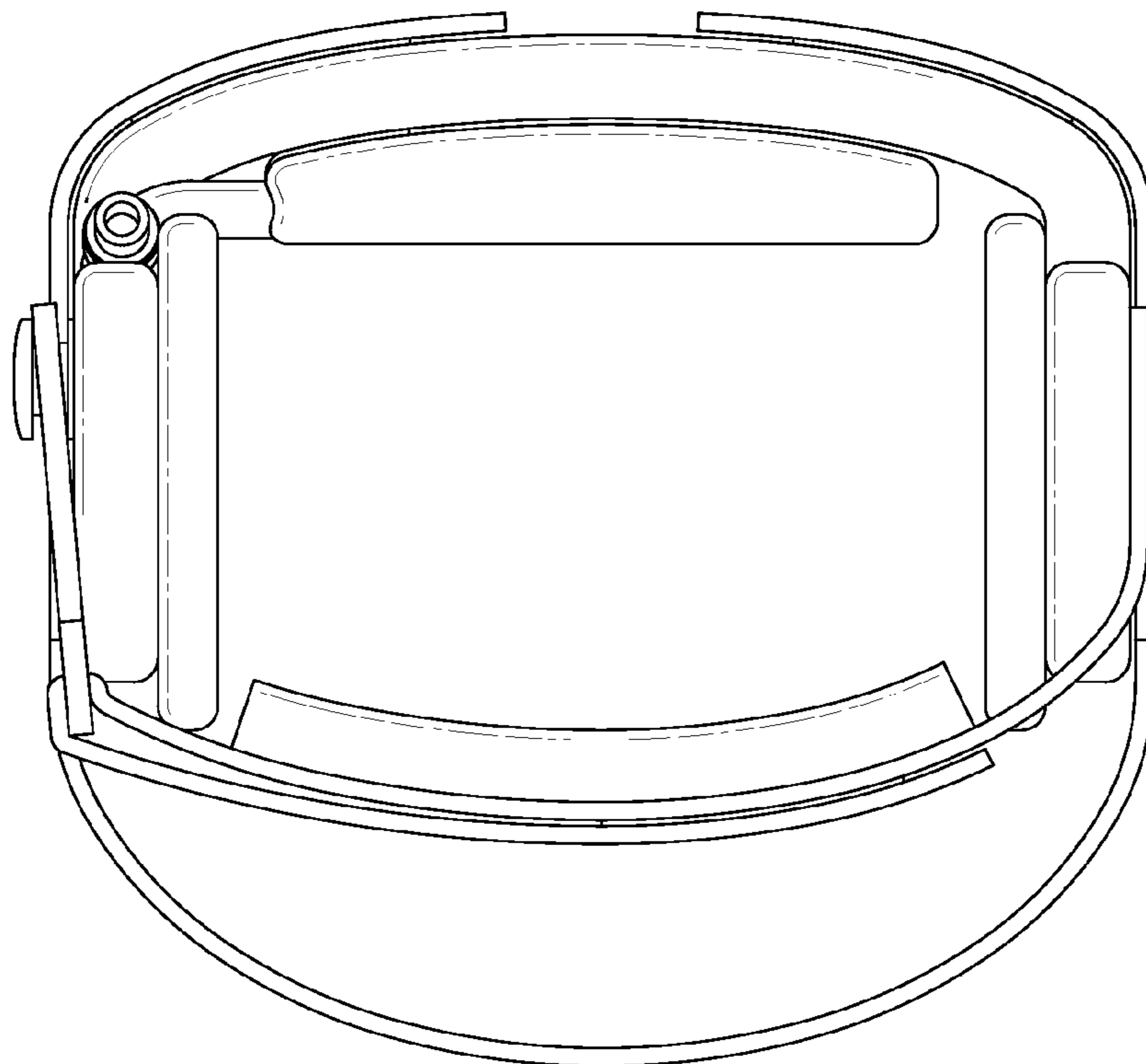


FIG. 5

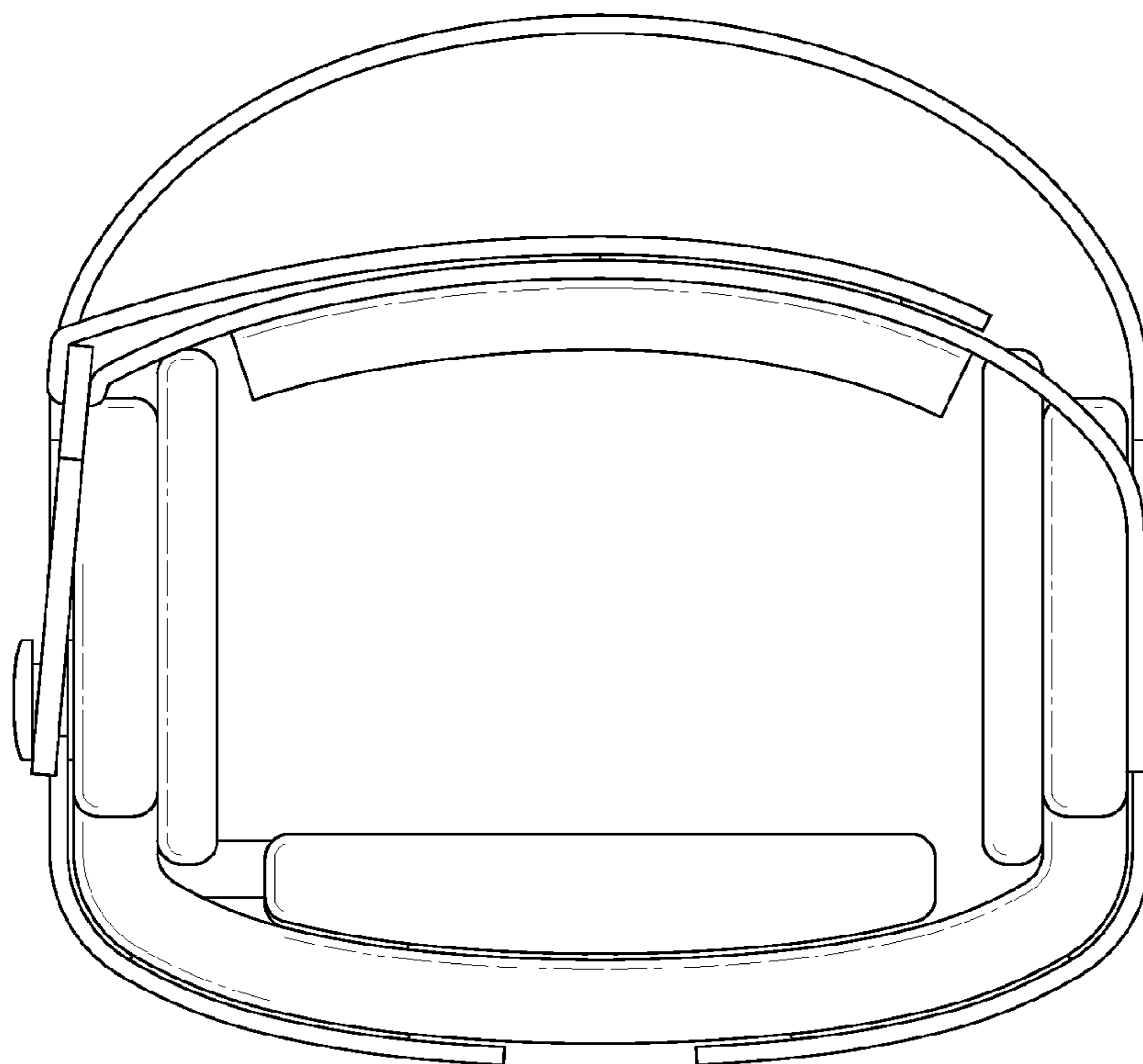


FIG. 6

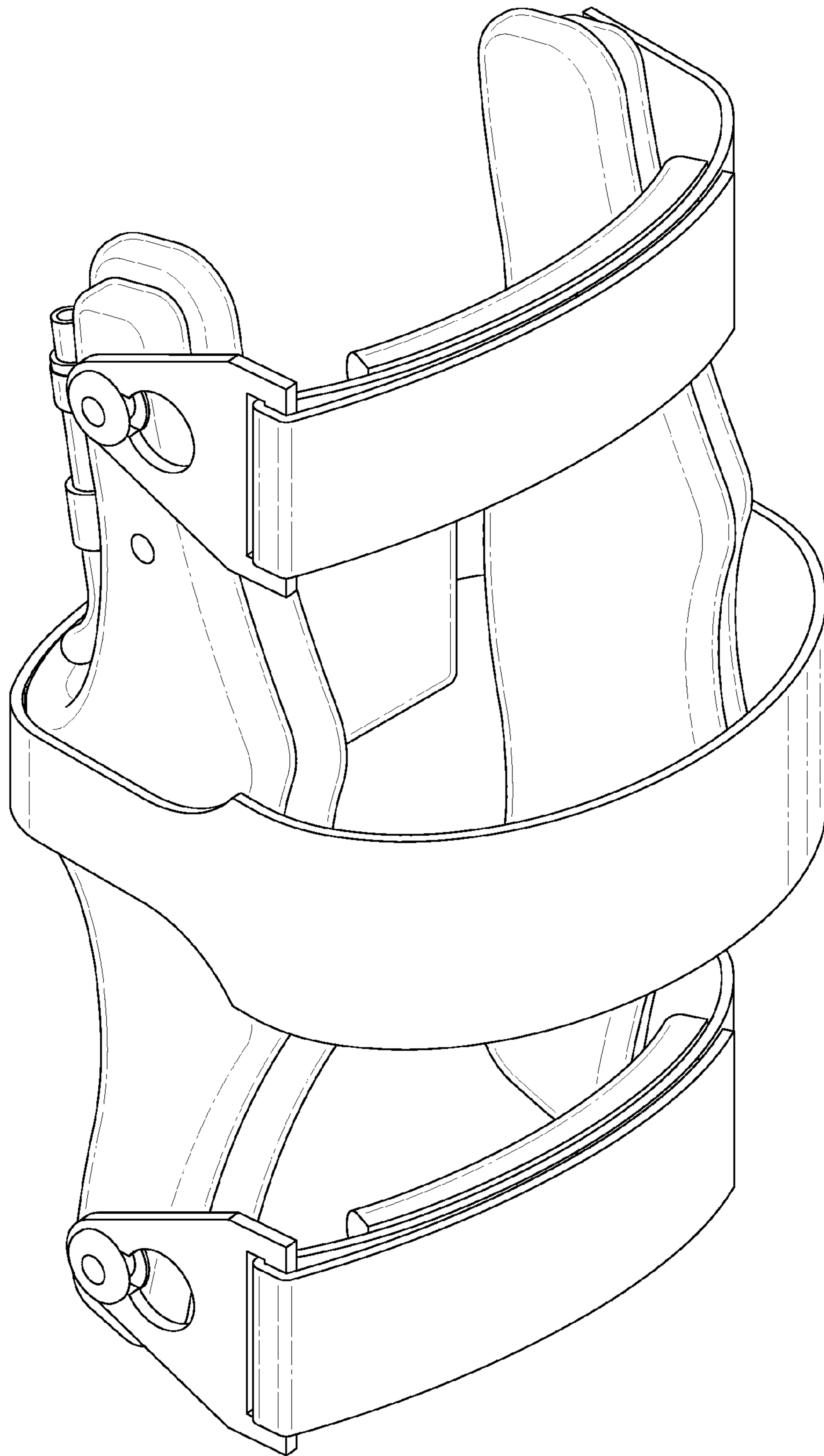


FIG. 7

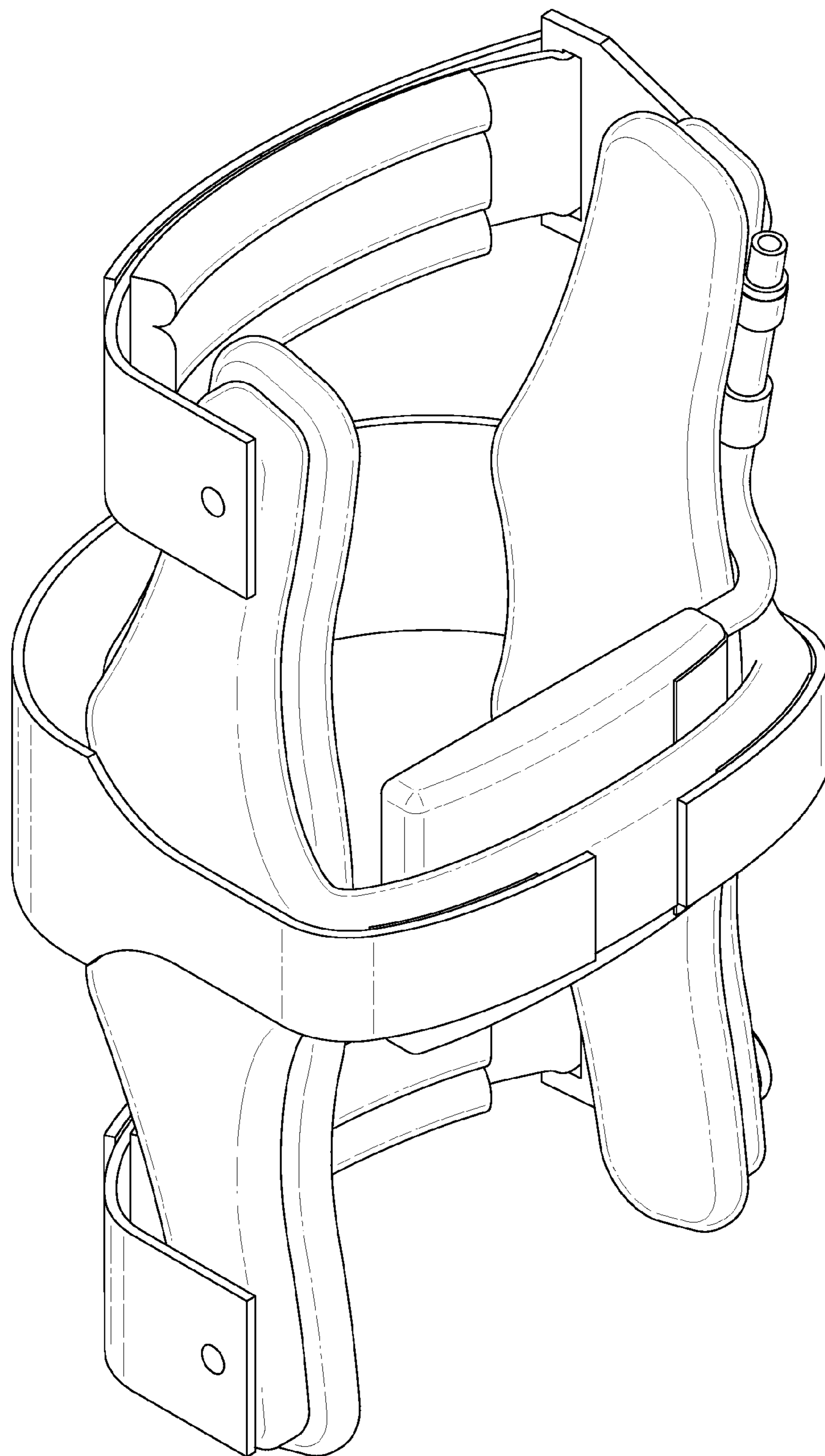


FIG. 8