



US00D627068S

(12) **United States Design Patent**
Brauer et al.

(10) **Patent No.:** **US D627,068 S**
(45) **Date of Patent:** **** *Nov. 9, 2010**

(54) **ANALYTE-DETERMINING METER**

(75) Inventors: **Jacob Brauer**, Cambridge, MA (US);
Darren Brown, Harrison, NY (US); **Jun Chen**,
Warren, NJ (US); **Richard Kates**, Ridgewood,
NJ (US); **Jennifer M. Levin**, Chicago, IL (US);
Harris Lieber, White Plains, NY (US); **Amy Schwartz**,
Evanston, IL (US); **Raymond Yao**, Tarrytown,
NY (US)

(73) Assignee: **Bayer Healthcare, LLC**, Tarrytown, NY
(US)

(**) Term: **14 Years**

(21) Appl. No.: **29/343,975**

(22) Filed: **Sep. 22, 2009**

(51) **LOC (9) Cl.** **24-01**

(52) **U.S. Cl.** **D24/169**

(58) **Field of Classification Search** D24/169,
D24/186; D10/81; 600/309, 316, 322, 365,
600/368

See application file for complete search history.

(56) **References Cited**

U.S. PATENT DOCUMENTS

5,019,974	A	5/1991	Beckers	
D363,885	S *	11/1995	Okamoto et al.	D10/81
5,507,288	A *	4/1996	Bocker et al.	600/322
5,575,403	A	11/1996	Charlton et al.	
D411,621	S *	6/1999	Eisenbarth et al.	D24/169
6,246,966	B1	6/2001	Perry	

(Continued)

FOREIGN PATENT DOCUMENTS

EP 1 369 688 A2 12/2003

(Continued)

OTHER PUBLICATIONS

Accu-Chek® Complete Blood Glucose Monitoring System User's
Manual, ©1997 Boehringer Mannheim Corporation, 97 pages.

(Continued)

Primary Examiner—T. Chase Nelson

Assistant Examiner—Anhdao Doan

(74) *Attorney, Agent, or Firm*—Nixon Peabody LLP

(57) **CLAIM**

The ornamental design for analyte-determining meter, as
shown and described.

DESCRIPTION

FIG. 1 is a top perspective view of an analyte-determining
meter.

FIG. 2 is a bottom perspective view of the analyte-determining
meter.

FIG. 3 is a first side view of the analyte-determining meter.

FIG. 4 is a first end view of the analyte-determining meter.

FIG. 5 is a front plan view of the analyte-determining meter.

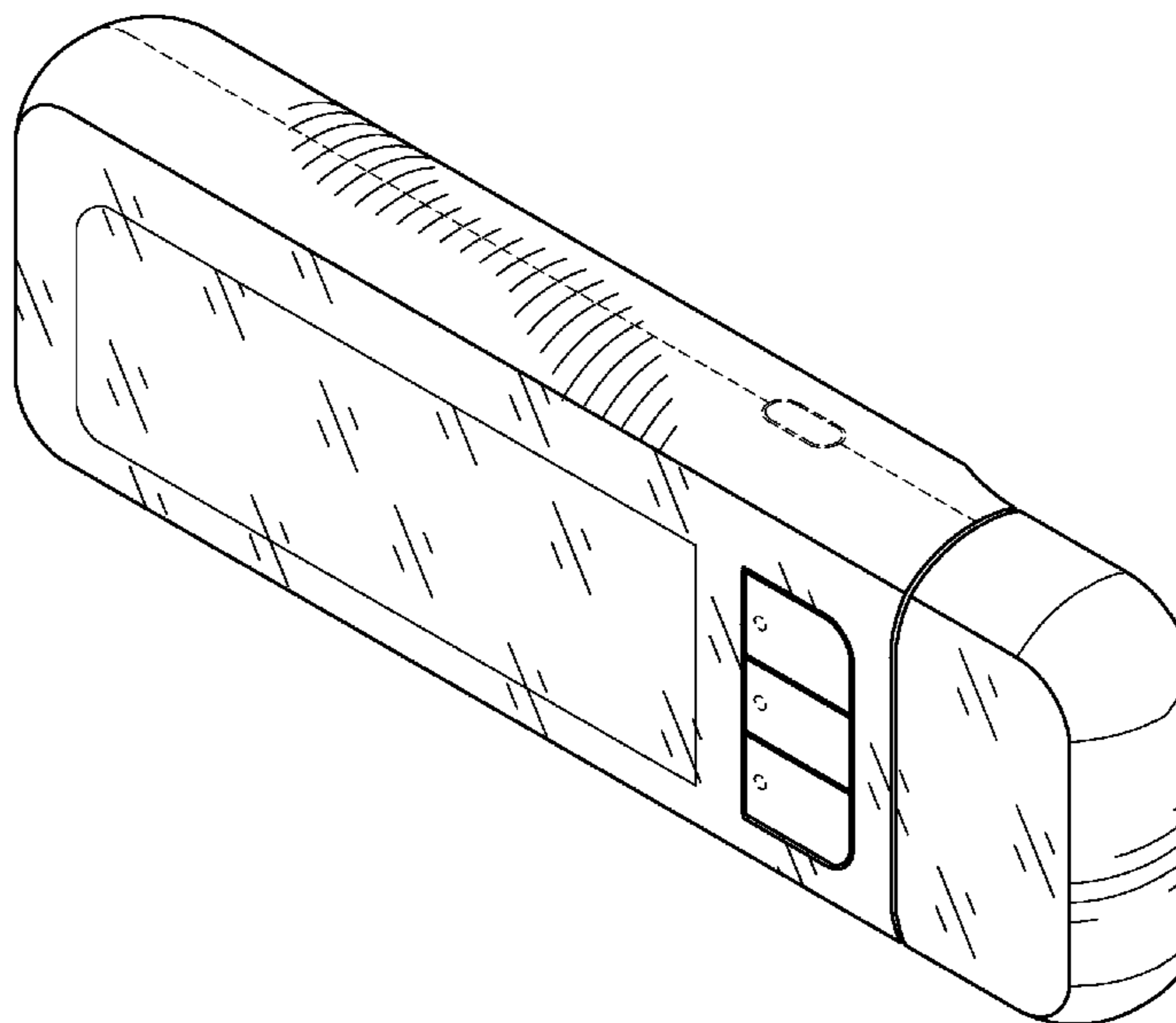
FIG. 6 is a second end view of the analyte-determining meter,
which is opposite of the first end view of FIG. 4.

FIG. 7 is a back plan view of the analyte-determining meter,
which is opposite of the front plan view of FIG. 5; and,

FIG. 8 is a second side view of the analyte-determining meter,
which is opposite of the first side view of FIG. 3.

The portions of the drawings shown in broken lines represent
environmental structure and form no part of the claimed
design.

1 Claim, 4 Drawing Sheets



US D627,068 S

Page 2

U.S. PATENT DOCUMENTS

6,519,141 B2 2/2003 Tseng et al.
D493,536 S * 7/2004 Jaeck et al. D24/169
D545,436 S * 6/2007 Padain D24/169
D545,438 S * 6/2007 Huang et al. D24/186
D546,216 S * 7/2007 Bolognesi et al. D10/81
D546,454 S * 7/2007 Gutmann et al. D24/169
7,241,265 B2 7/2007 Cummings et al.
D581,056 S * 11/2008 Kurokawa et al. D24/186
D590,063 S * 4/2009 Garthoff et al. D24/186
D595,415 S * 6/2009 Fukuzawa D24/186
D611,151 S * 3/2010 Lei D24/169
2003/0031591 A1 2/2003 Whitson et al.
2003/0176183 A1 9/2003 Drucker et al.
2004/0048394 A1 3/2004 Kirchhevel
2004/0118704 A1 6/2004 Wang et al.
2005/0143675 A1 6/2005 Neel et al.
2007/0233395 A1 10/2007 Neel et al.
2008/0015422 A1 1/2008 Wessel

2008/0268485 A1 10/2008 Guarino et al.
2009/0030382 A1 1/2009 Brandt et al.
2009/0304547 A1 12/2009 Werner et al.

FOREIGN PATENT DOCUMENTS

WO WO 2005/040793 A1 5/2005
WO WO 2006/066038 A2 6/2006

OTHER PUBLICATIONS

TheraSense® FreeStyle Tracker Diabetes Management System
Blood Glucose Testing Guide, © 2002 TheraSense, 17 pages.
OneTouch® UltraSmart Blood Glucose Monitoring System Meter
and Electronic Logbook In One Owner's Booklet, ©2002 LifeScan,
Inc., 69 pages.
Accu-Chek® Aviva Blood Glucose Meter Owner's Booklet ©2005
Roche Diagnostics, 80 pages.
OneTouch® Ultra® Blood Glucose Monitoring System Owner's
Booklet, ©2005 LifeScan, Inc., 73 pages.

* cited by examiner

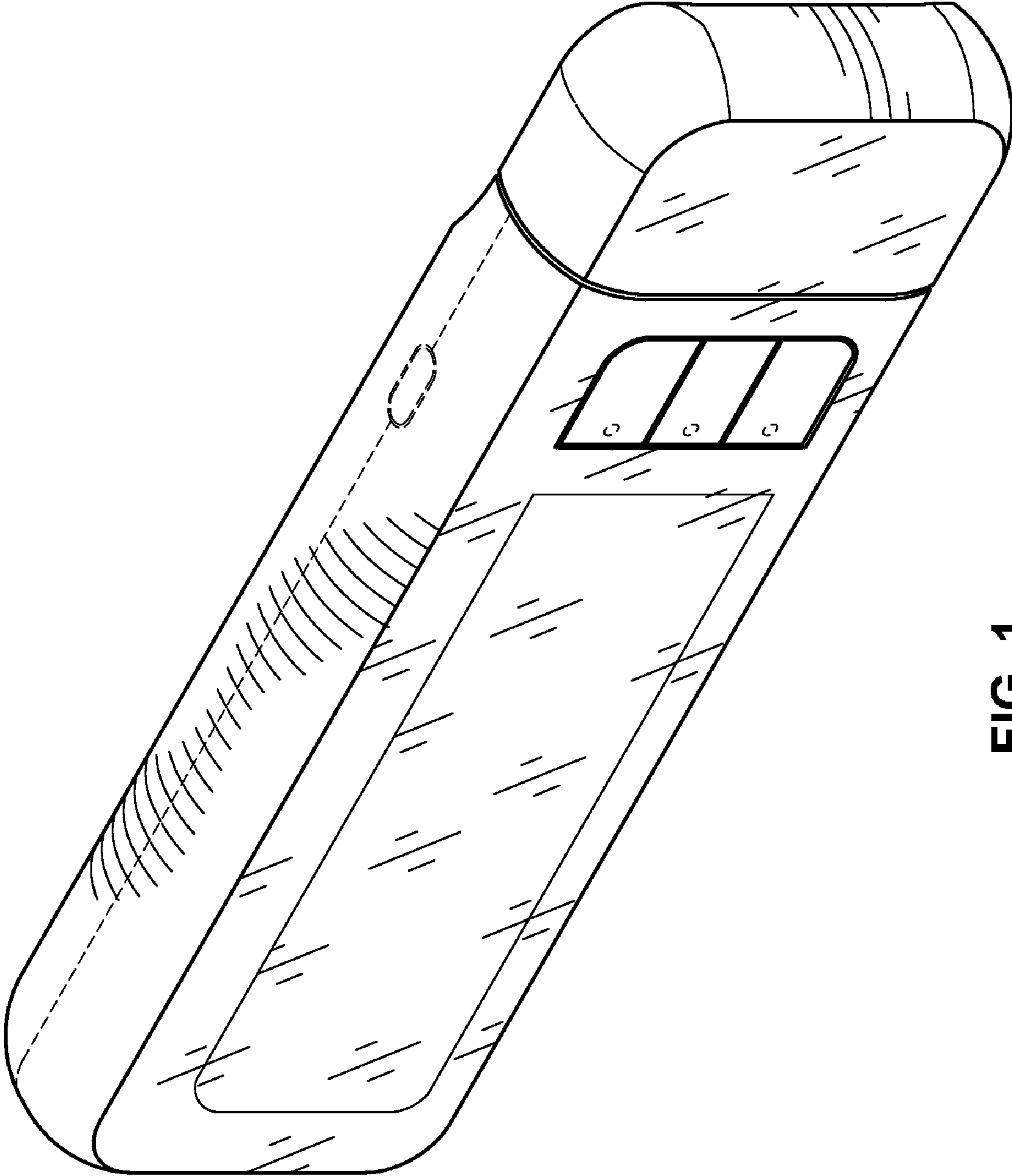


FIG. 1

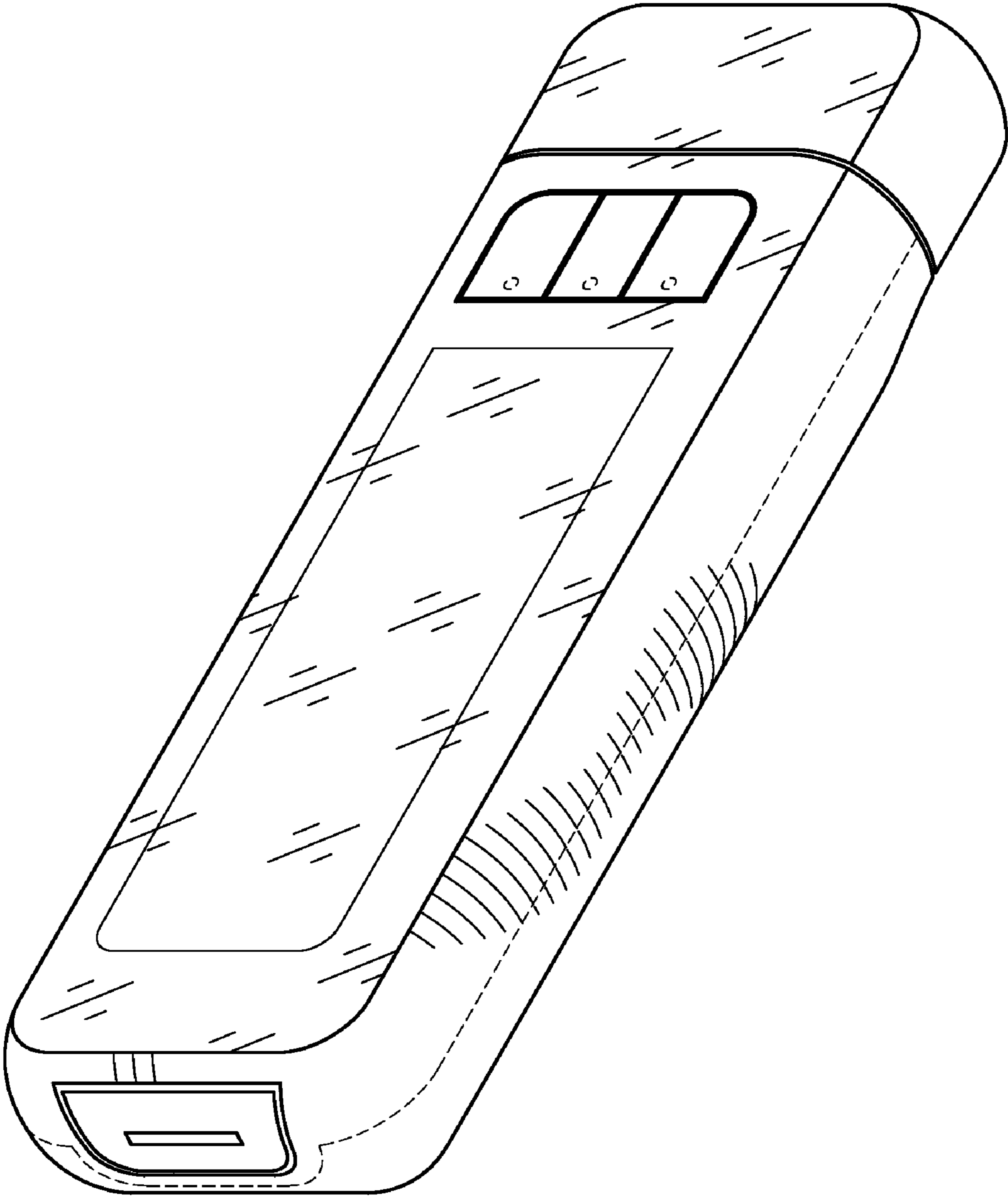


FIG. 2

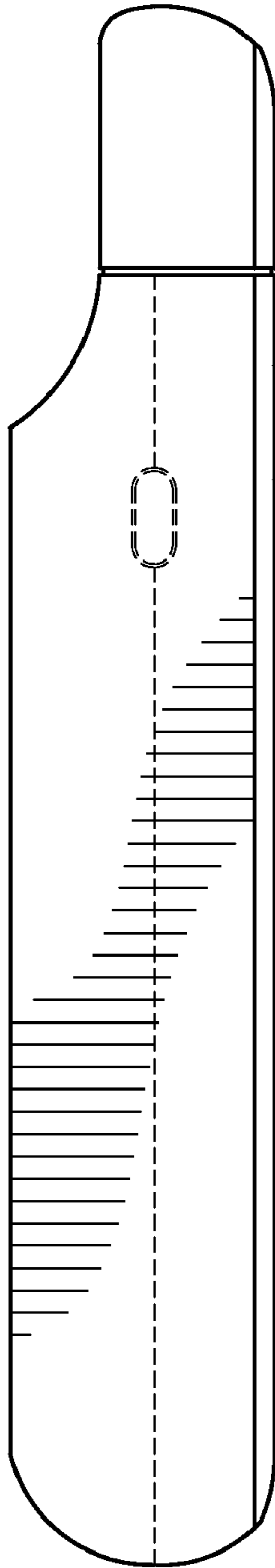


FIG. 3

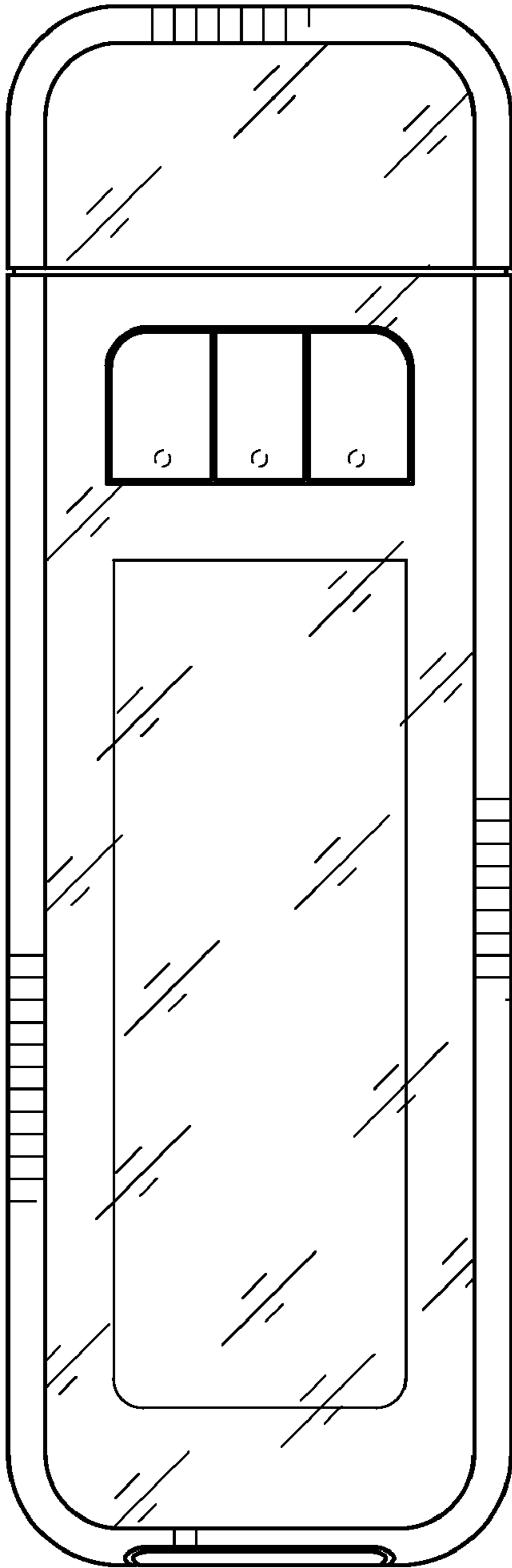


FIG. 4

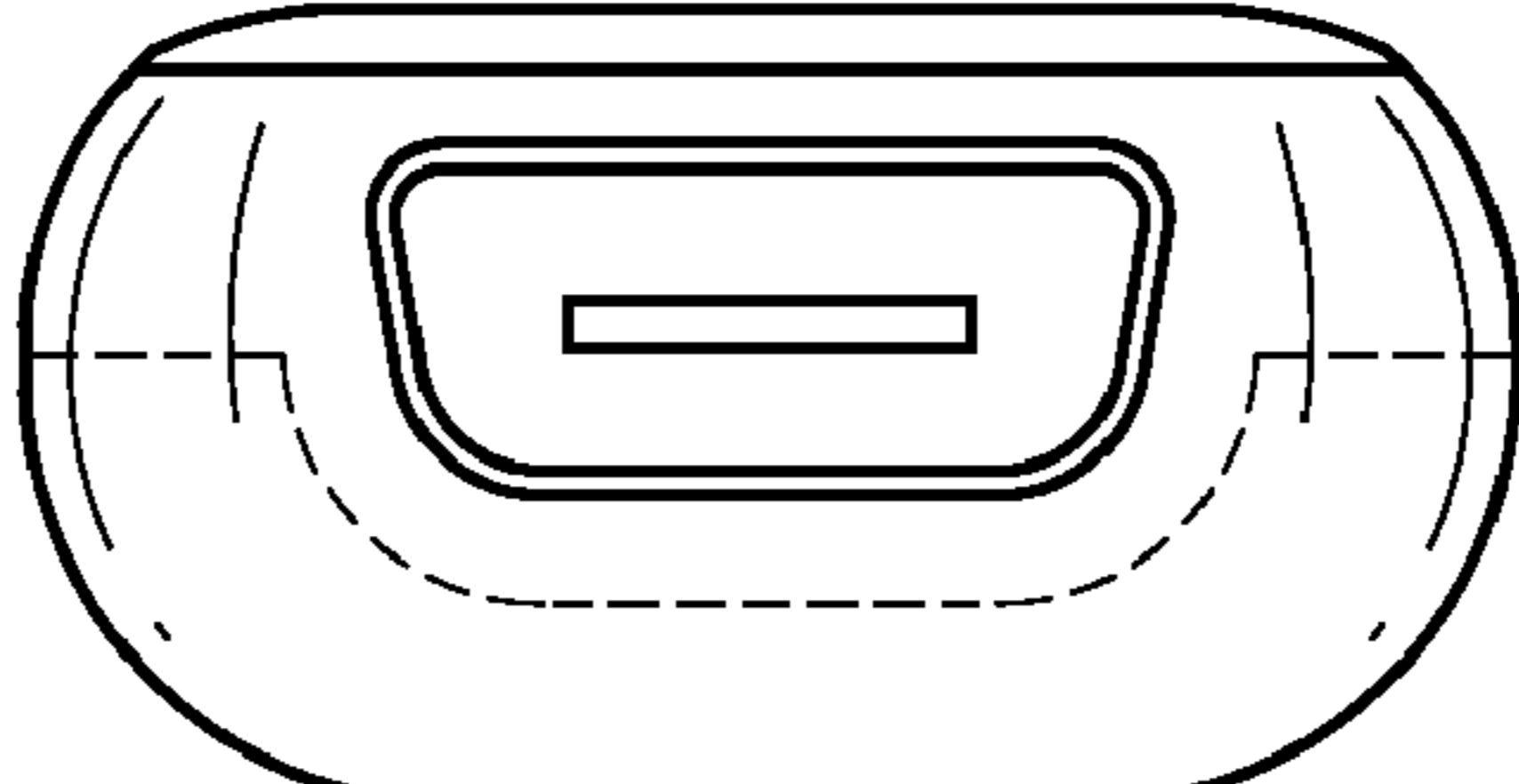


FIG. 5

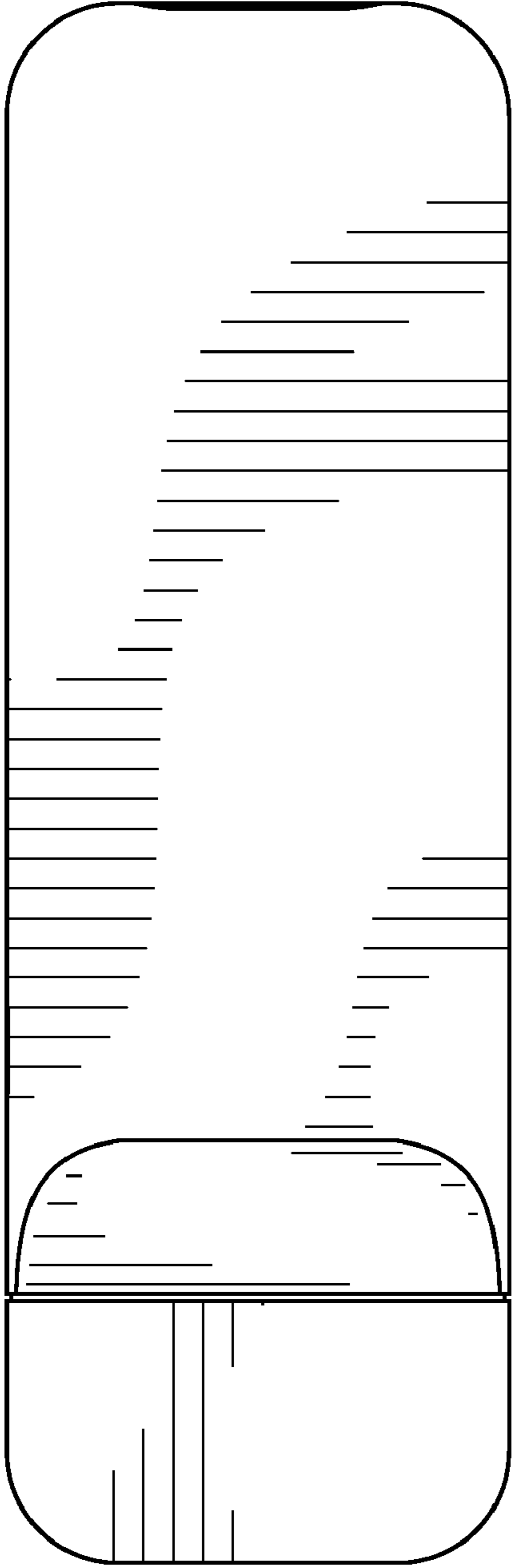


FIG. 6

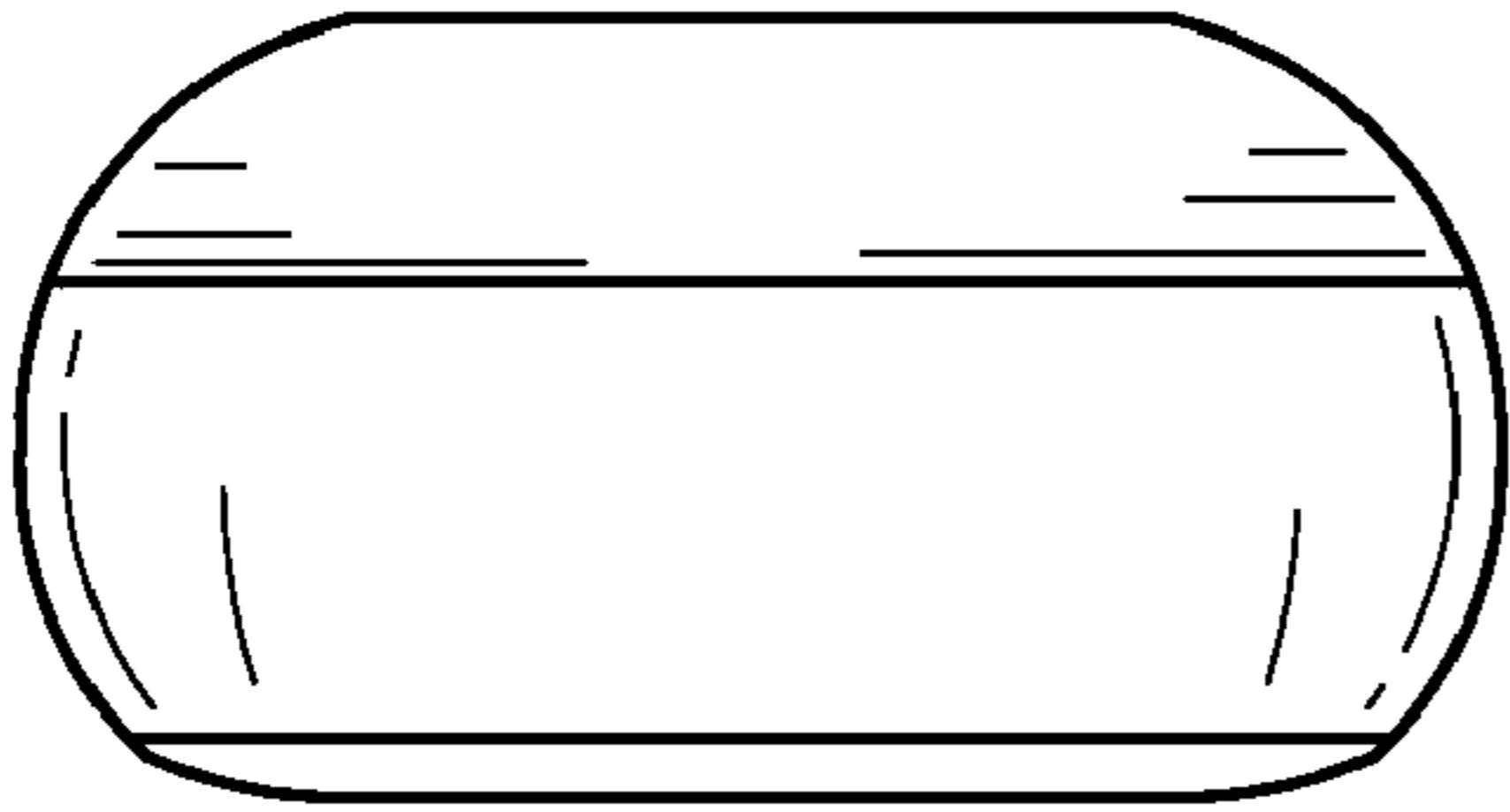


FIG. 7

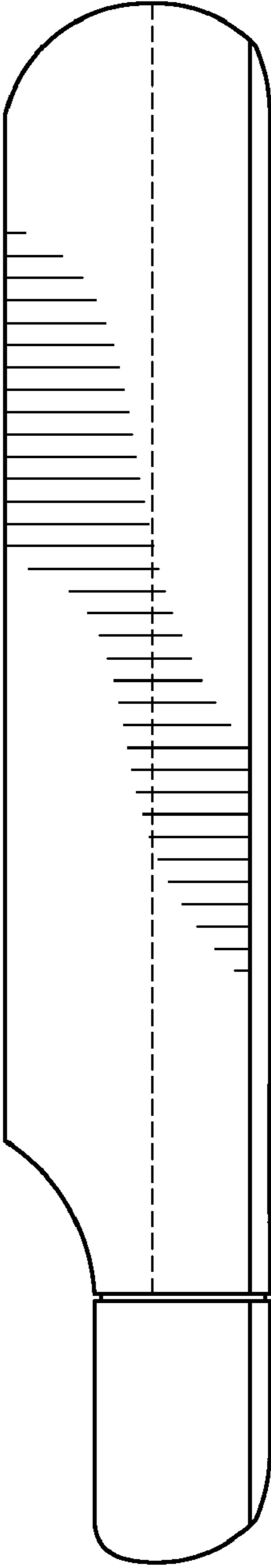


FIG. 8

Disclaimer

D. 627,068 —Jacob Brauer, Cambridge, MA; Darren Brown, Harrison, NY; Jun Chen, Warren, NJ; Richard Kates, Ridgewood, NJ; Jennifer M. Levin Chicago, IL; Harris Lieber, White Plains, NY; Amy Schwartz, Evanston, IL; Raymond Yao, Tarrytown, NY, ANALYTE-DETERMINING METER. Patent dated Nov. 09, 2010. Disclaimer filed Aug. 03, 2010, by the assignee, Bayer Healthcare, LLC.

Hereby enters this disclaimer to the entire term of said patent.

(Official Gazette May 24, 2011)