



US00D627064S

(12) **United States Design Patent**
Appelbaum et al.

(10) **Patent No.:** **US D627,064 S**

(45) **Date of Patent:** **** Nov. 9, 2010**

(54) **PROBE**

(75) Inventors: **Henry R. Appelbaum**, Chicago, IL (US); **Kambiz Dowlatshahi**, Chicago, IL (US); **William Graveman**, Tonganoxie, KS (US); **Anthony J. Tomasello**, Libertyville, IL (US)

(73) Assignee: **Novian Health, Inc.**, Chicago, IL (US)

(**) Term: **14 Years**

(21) Appl. No.: **29/298,911**

(22) Filed: **Dec. 14, 2007**

(51) **LOC (9) Cl.** **24-02**

(52) **U.S. Cl.** **D24/130**

(58) **Field of Classification Search** D24/127-130;
606/4-6; 128/898-899

See application file for complete search history.

(56) **References Cited**

U.S. PATENT DOCUMENTS

1,968,997 A	8/1937	Drucker
4,222,375 A	9/1980	Martinez
4,402,311 A	9/1983	Hattori
4,559,942 A	12/1985	Eisenberg
4,616,656 A	10/1986	Nicholson et al.
4,662,368 A	5/1987	Hussein et al.
4,665,927 A	5/1987	Daily
4,681,122 A	7/1987	Winters et al.

(Continued)

FOREIGN PATENT DOCUMENTS

DE 2826383 12/1979

(Continued)

OTHER PUBLICATIONS

International Preliminary Report on Patentability for PCT/US2008/052911 dated Aug. 11, 2009.

(Continued)

Primary Examiner—T. Chase Nelson

Assistant Examiner—Eric L Goodman

(74) *Attorney, Agent, or Firm*—K&L Gates LLP

(57) **CLAIM**

The ornamental design for a probe, as shown and described.

DESCRIPTION

FIG. 1 illustrates a perspective view of a first embodiment of our new design;

FIG. 2 illustrates a right side view of the probe of FIG. 1, the left side being a mirror image thereof;

FIG. 3 illustrates a top view of the probe of FIG. 1;

FIG. 4 illustrates a first end view of the probe of FIG. 1;

FIG. 5 illustrates a second end view of the probe of FIG. 1;

FIG. 6 illustrates a perspective view of a second embodiment of our new design;

FIG. 7 illustrates a right side view of the probe of FIG. 6, the left side being a mirror image thereof;

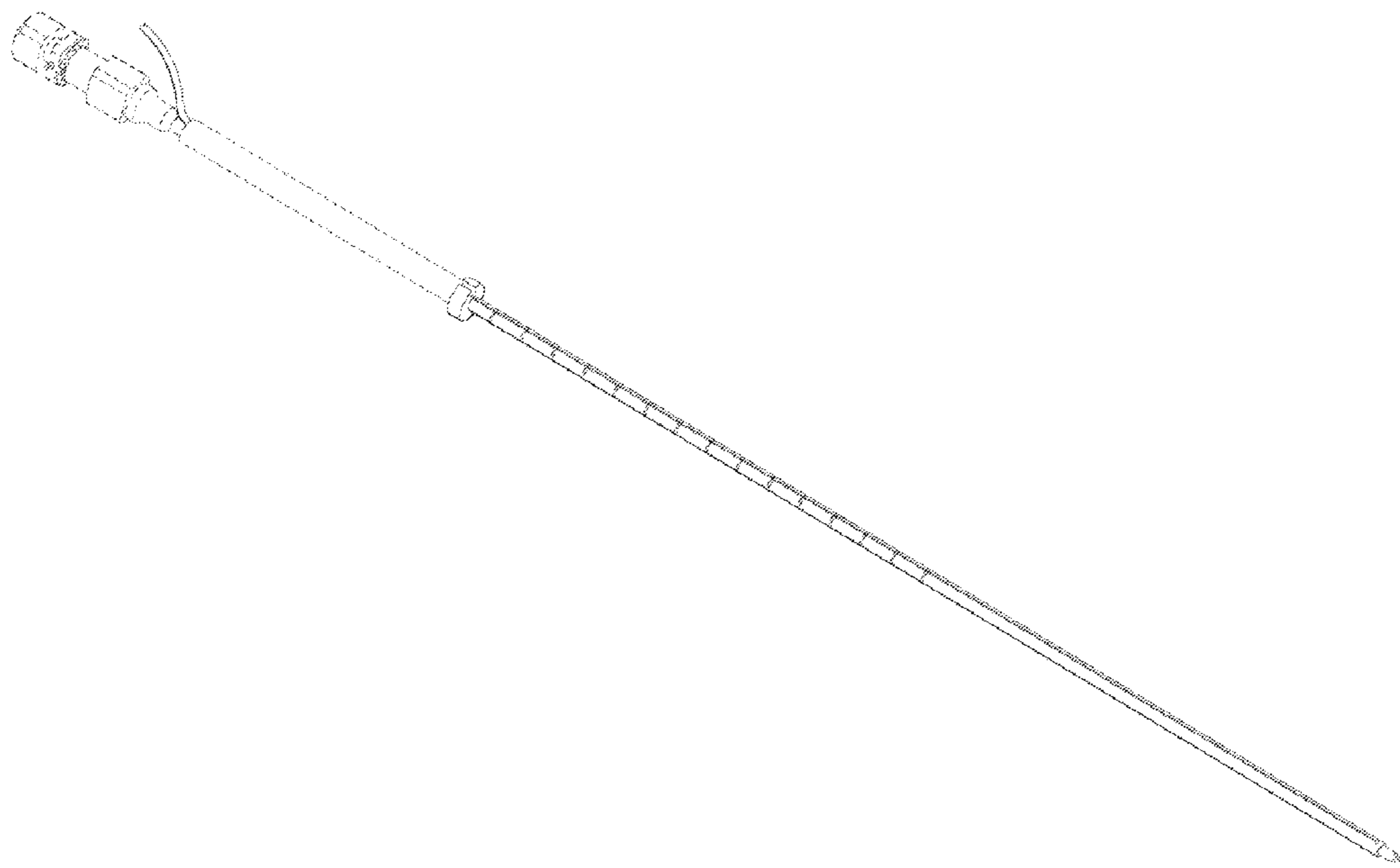
FIG. 8 illustrates a top view of the probe of FIG. 6;

FIG. 9 illustrates a first end view of the probe of FIG. 6; and,

FIG. 10 illustrates a second end view of the probe of FIG. 6.

The broken line showing is included for the purpose of illustrating portions of the article that form no part of the claimed design.

1 Claim, 4 Drawing Sheets



US D627,064 S

Page 2

U.S. PATENT DOCUMENTS

4,773,413	A	9/1988	Hussein et al.	
4,774,948	A	10/1988	Markham	
4,776,334	A	10/1988	Prionas	
4,931,059	A	6/1990	Markham	
4,946,440	A	8/1990	Hall	
4,950,267	A	8/1990	Ishihara et al.	
4,959,063	A	9/1990	Kojima	
4,967,765	A	11/1990	Turner et al.	
5,059,197	A	10/1991	Urie et al.	
5,078,142	A	1/1992	Siczek et al.	
5,127,916	A	7/1992	Spencer et al.	
5,169,396	A	12/1992	Dowlatshahi et al.	
5,178,148	A	1/1993	Lacoste et al.	
5,195,526	A	3/1993	Michelson	
5,201,729	A *	4/1993	Hertzmann et al.	606/2
5,222,953	A	6/1993	Dowlatshahi	
5,234,426	A	8/1993	Rank et al.	
5,240,011	A	8/1993	Assa	
D344,903	S *	3/1994	Gampp et al.	D10/78
5,312,392	A	5/1994	Hofstetter et al.	
5,396,897	A	3/1995	Jain et al.	
RE34,936	E	5/1995	Campbell et al.	
5,514,089	A *	5/1996	Walbrink et al.	604/33
5,569,240	A	10/1996	Dowlatshahi et al.	
5,620,479	A	4/1997	Diederich	
5,853,366	A	12/1998	Dowlatshahi	
5,954,711	A	9/1999	Ozaki et al.	
6,131,579	A *	10/2000	Thorson et al.	128/898
6,241,725	B1	6/2001	Cosman	
6,451,015	B1	9/2002	Rittman et al.	
6,551,302	B1	4/2003	Rosinko et al.	
6,562,028	B2	5/2003	Nield et al.	
6,569,176	B2	5/2003	Jesseph	
6,603,988	B2	8/2003	Dowlatshahi	
6,701,175	B2	3/2004	Dowlatshahi	
6,865,412	B2	3/2005	Dowlatshahi	
7,041,109	B2	5/2006	Dowlatshahi	
7,171,253	B2	1/2007	Dowlatshahi	
2002/0026127	A1	2/2002	Balbierz et al.	
2003/0035868	A1	2/2003	Coulter et al.	

2003/0060813	A1	3/2003	Loeb	
2003/0192557	A1 *	10/2003	Krag et al.	128/898
2005/0113641	A1	5/2005	Bala	
2006/0095096	A1	5/2006	DeBenedictis et al.	
2006/0241727	A1	10/2006	Dowlatshahi	
2007/0100229	A1	5/2007	Dowlatshahi	
2008/0234720	A1 *	9/2008	Chang et al.	606/196
2009/0012510	A1 *	1/2009	Bertolero et al.	606/14
2009/0030522	A1 *	1/2009	Cauthen et al.	623/17.16
2009/0054911	A1 *	2/2009	Mueller et al.	606/139
2009/0093823	A1 *	4/2009	Chang et al.	606/110
2009/0105814	A1 *	4/2009	Groothuis et al.	623/2.36

FOREIGN PATENT DOCUMENTS

JP	2001148280	9/1989
WO	WO 8704611	8/1987
WO	WO 0013603	3/2000
WO	WO 0059394	10/2000

OTHER PUBLICATIONS

Kelsey. "Revolutionizing Breast Treatment with Interstitial Laser Therapy." May 2003. 1-22.

Kelsey. "Revolutionizing Breast Treatment with Interstitial Laser Therapy." Feb. 2005. 1-18.

Dowlatshahi, Kambiz, MD., "Interstitial Laser Treatment of Small Breast Cancers," *Lasers in Medicine, Surgery, and Dentistry*. 2003. 677-689.

Dowlatshahi, Kambiz, MD., "Laser Therapy of Small Breast Cancers." Presented at the Third Annual Meeting of the American Society of Breast Surgeons, Apr. 24-28, 2002. 152-166.

Dowlatshahi, Kambiz, MD., "Shift in the Surgical Treatment of Non-Palpable Breast Cancer: Tactile to Visual." *Rush University Medical Center: Breast Cancer Online* <<http://www.bco.org>>, Oct. 9, 2005, 1-10.

Dowlatshahi, Kambiz, MD., et al. "Stereotactically Guided Laser Therapy of Occult Breast Tumors," published by *Arch Surg* in Nov. 2000.

Temperature-Sensing Management Systems: At the Core of Optimal Patient Outcomes. Published by Bard Medical Division, 2005. 1-8.

* cited by examiner

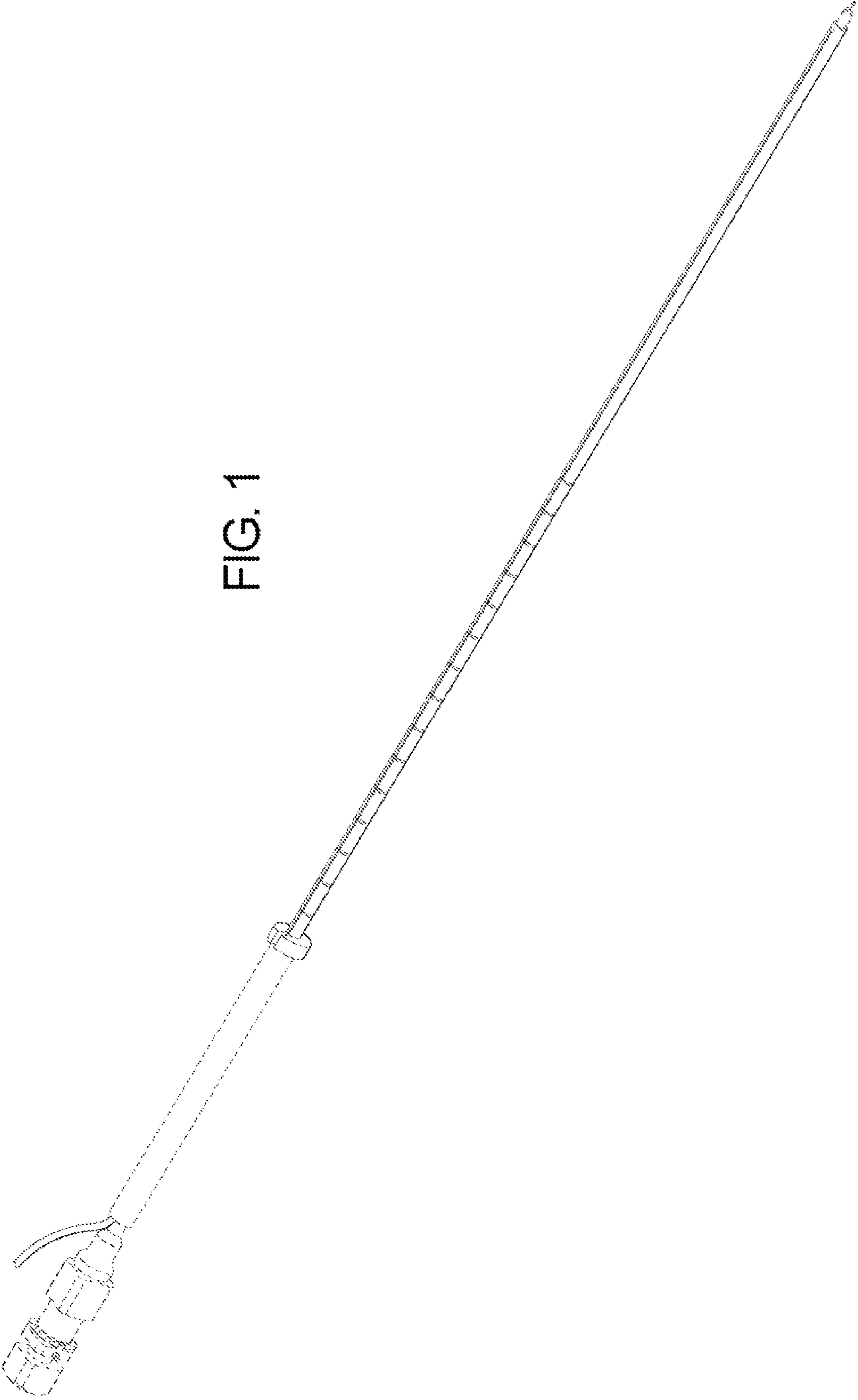


FIG. 1

FIG. 2

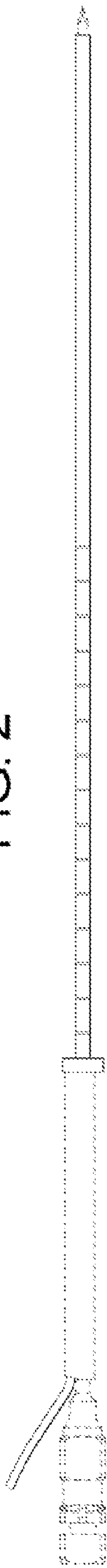


FIG. 3

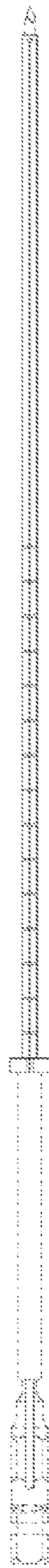


FIG. 4

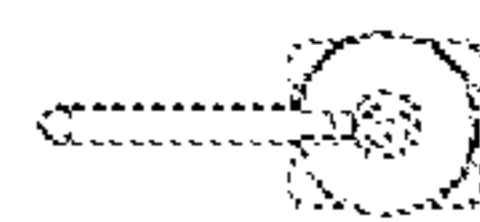


FIG. 5

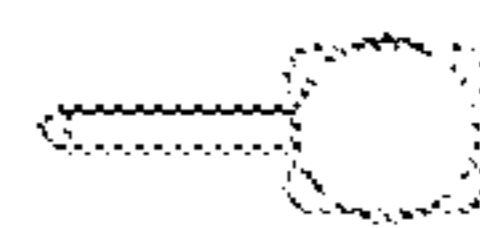


FIG. 6

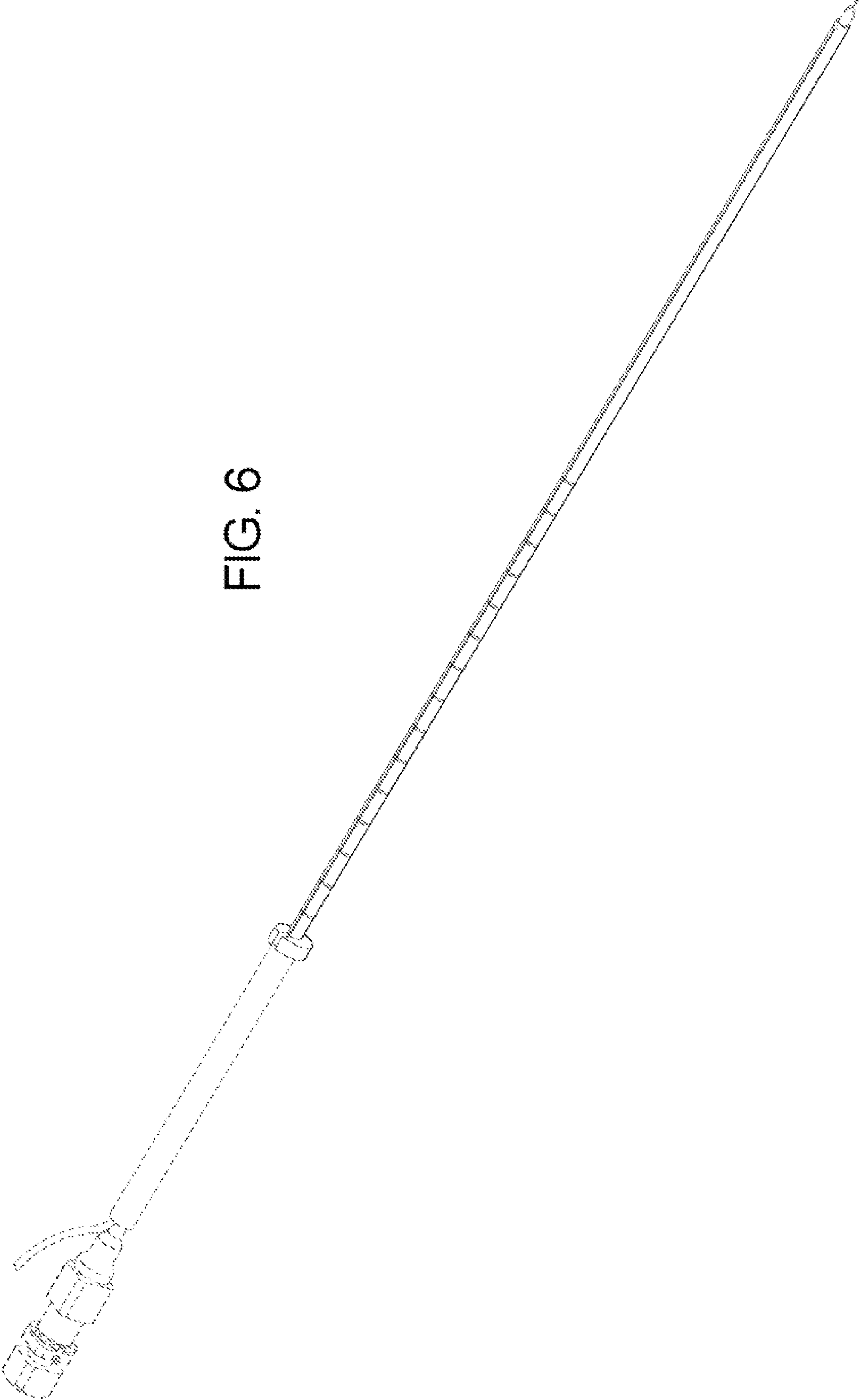


FIG. 7

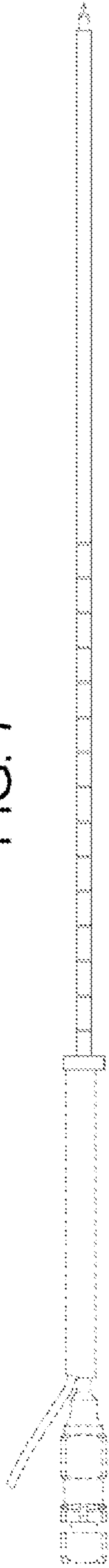


FIG. 8

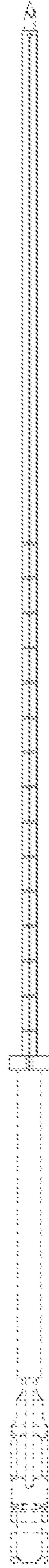


FIG. 9

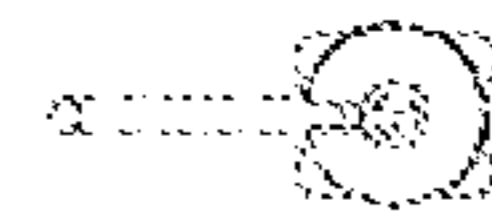


FIG. 10

