



US00D627063S

(12) **United States Design Patent**
West et al.

(10) **Patent No.:** **US D627,063 S**

(45) **Date of Patent:** **** Nov. 9, 2010**

(54) **CART ASSEMBLY FOR USE WITH BLOOD FILTRATION**

(75) Inventors: **Richard L. West**, Lake Villa, IL (US);
Anthony Oleszkiewicz, Round Lake, IL (US)

(73) Assignee: **Fenwal, Inc.**, Lake Zurich, IL (US)

(**) Term: **14 Years**

(21) Appl. No.: **29/342,532**

(22) Filed: **Aug. 26, 2009**

(51) **LOC (9) Cl.** **24-02**

(52) **U.S. Cl.** **D24/128**

(58) **Field of Classification Search** D24/127–131;
D6/411; 248/129, 170, 121, 125.8
See application file for complete search history.

(56) **References Cited**

U.S. PATENT DOCUMENTS

D252,300 S *	7/1979	Pryor	D6/431
D281,453 S *	11/1985	DiGianfilippo et al.	D24/128
D331,108 S *	11/1992	Curbbun	D24/128
D332,311 S *	1/1993	Redding	D24/128
6,619,599 B2 *	9/2003	Elliott et al.	248/125.8
6,969,031 B2 *	11/2005	Ugent et al.	248/125.8
D568,467 S *	5/2008	Cottone	D24/128
7,513,479 B2 *	4/2009	Li	248/519
2002/0104934 A1 *	8/2002	Elliott et al.	248/126

2003/0106969 A1 *	6/2003	Dillon et al.	248/157
2005/0116126 A1 *	6/2005	Ugent et al.	248/129
2007/0267551 A1 *	11/2007	Townsend	248/125.8
2008/0156728 A1	7/2008	Blickhan et al.		
2008/0251459 A1	10/2008	Oleszkiewicz et al.		
2010/0052274 A1	3/2010	West et al.		

* cited by examiner

Primary Examiner—T. Chase Nelson
Assistant Examiner—Eric L Goodman

(74) *Attorney, Agent, or Firm*—Hanley, Flight and Zimmerman, LLC

(57) **CLAIM**

The ornamental design for a cart assembly for use with blood filtration, as shown and described.

DESCRIPTION

FIG. 1 is a perspective view of a base of the cart assembly.

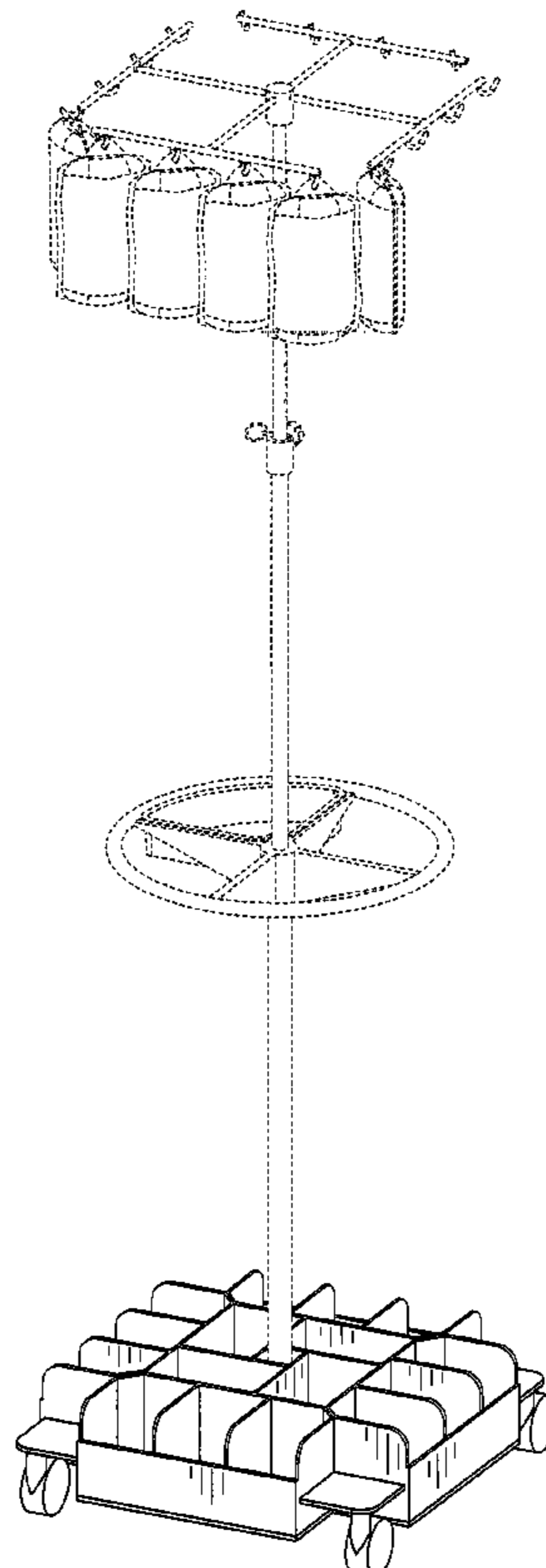
FIG. 2 is a side view of the base of the cart assembly.

FIG. 3 is a top view of the base of the cart assembly; and,

FIG. 4 is a sectional view of the base of the cart assembly along line 4—4 of FIG. 2.

The features shown in broken lines are for illustrative purposes only and do not form part of the claimed design. The broken lines which define the bounds of the claimed design form no part thereof.

1 Claim, 4 Drawing Sheets



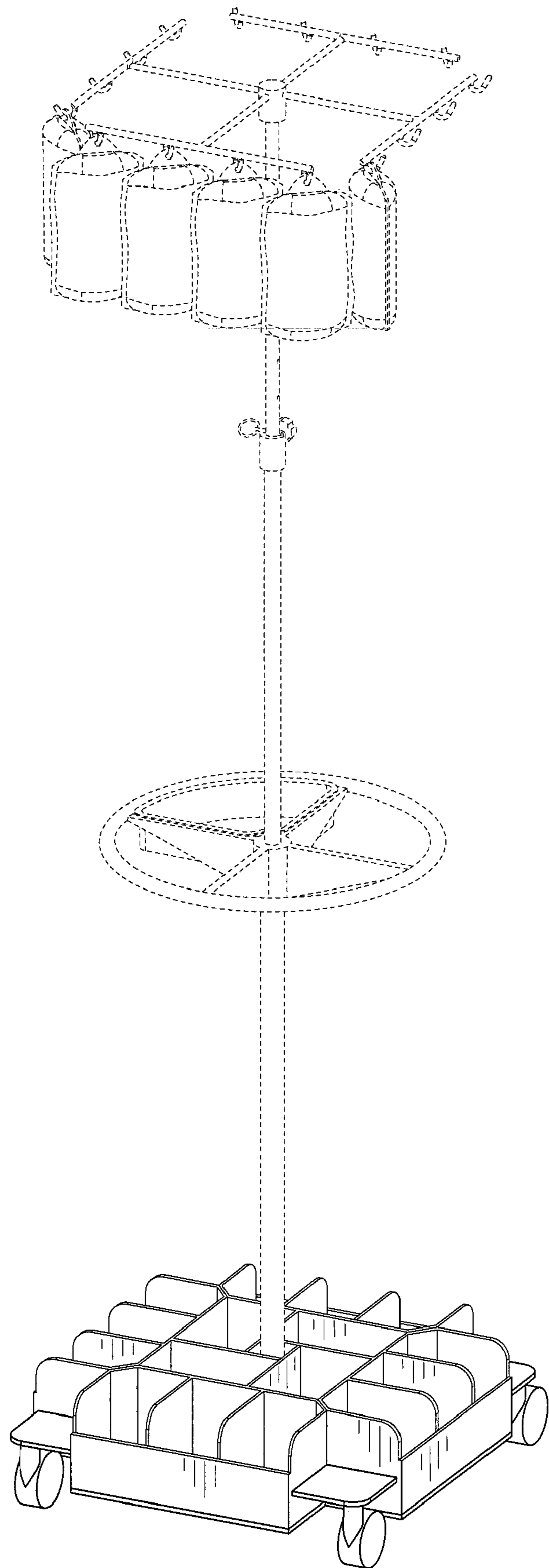


FIG. 1

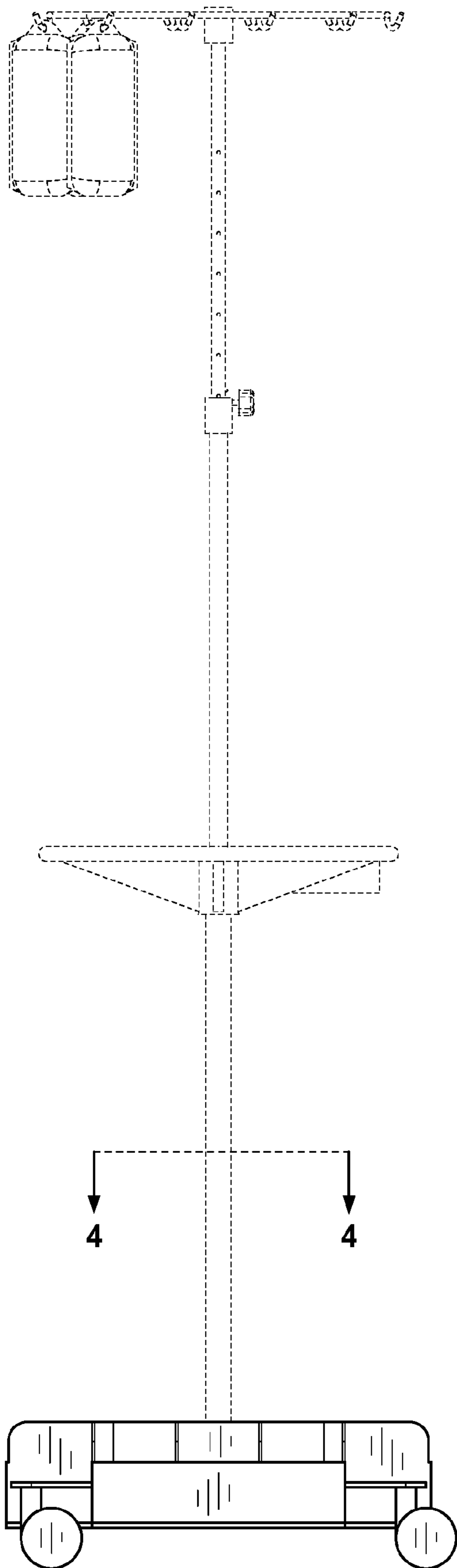


FIG. 2

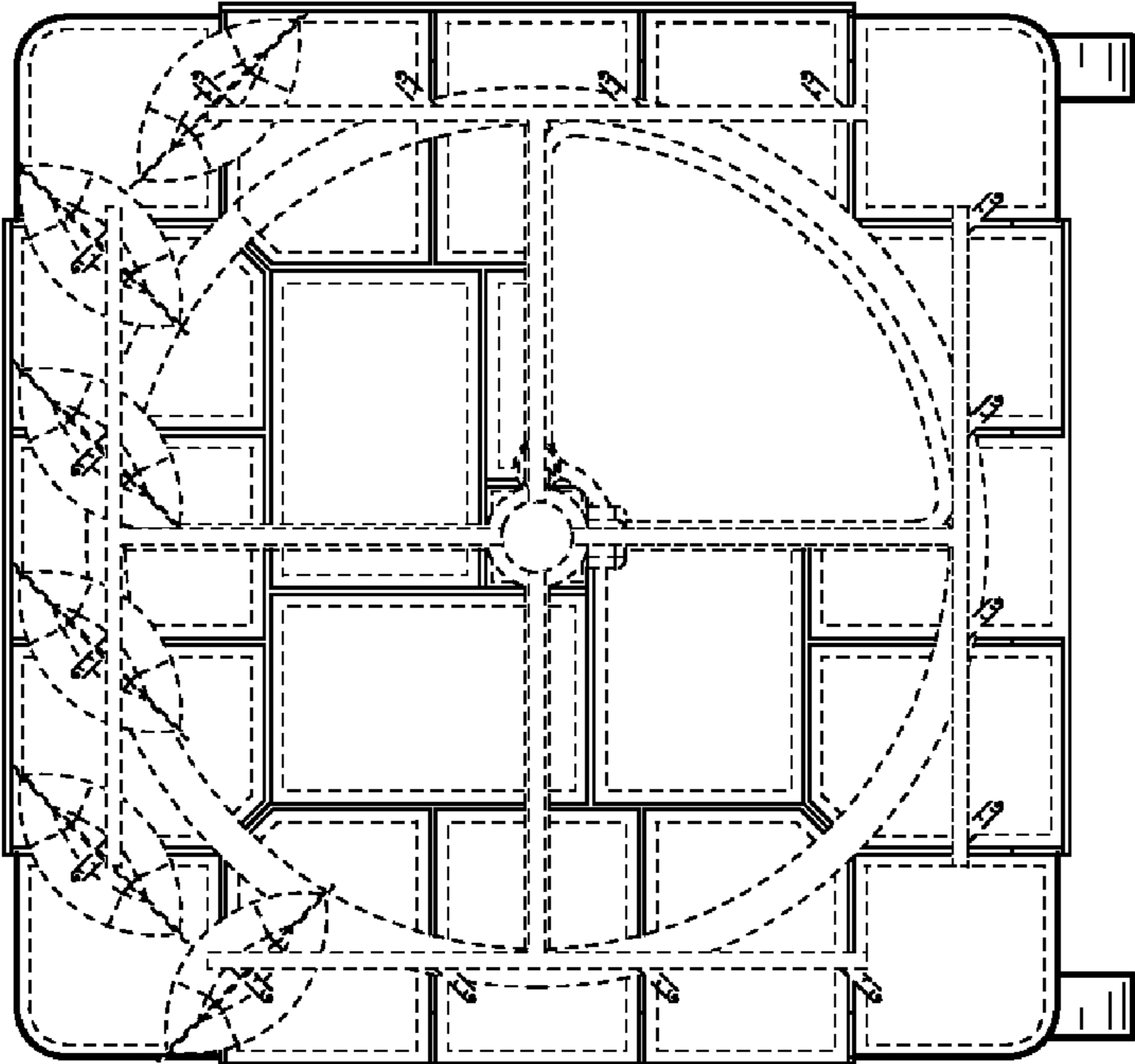


FIG. 3

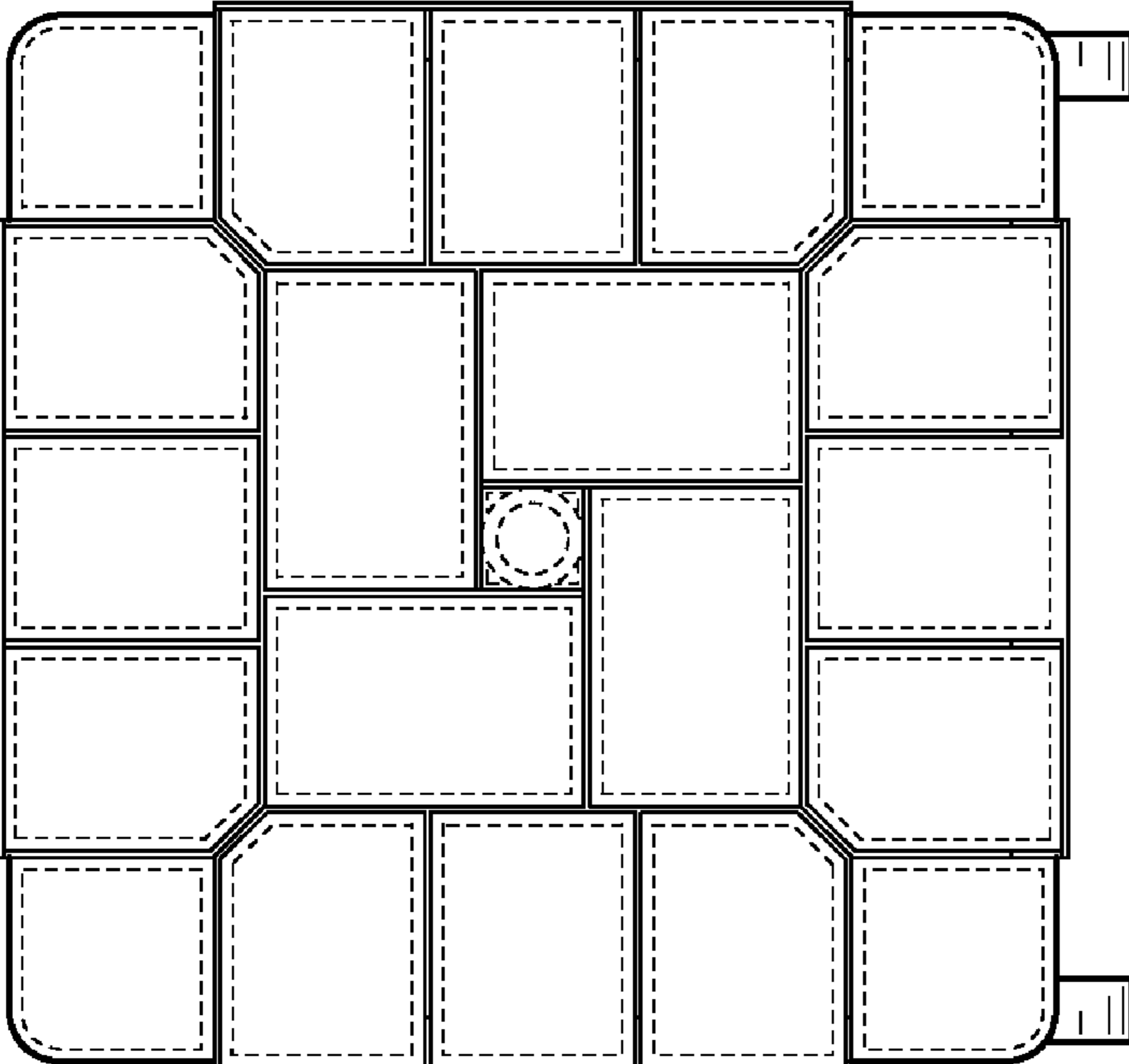


FIG. 4