



US00D627058S

(12) **United States Design Patent**
Ko et al.

(10) **Patent No.:** **US D627,058 S**
(45) **Date of Patent:** **** Nov. 9, 2010**

(54) **IMPLANTABLE VENOUS DEVICE**

(76) Inventors: **Po-Jen Ko**, No. 10, Alley 14, Lane 16,
Sec. 1, Zhongcheng Rd., Shilin Dist.,
Taipei City 111 (TW); **Ching-Yang Wu**,
6F, No. 80-2, Bade Rd., Linkou
Township, Taipei County 244 (TW);
Yun-Hen Liu, 8F, No. 405,
Changgengyihu Village, Guishan Shiang,
Taoyuan County 333 (TW)

(**) Term: **14 Years**

(21) Appl. No.: **29/358,948**

(22) Filed: **Apr. 2, 2010**

(51) **LOC (9) Cl.** **24-01**

(52) **U.S. Cl.** **D24/108; D24/155; D24/129**

(58) **Field of Classification Search** **D24/108-110.5,**
D24/127, 129; 285/304-321; 604/288.01-288.04
See application file for complete search history.

(56) **References Cited**

U.S. PATENT DOCUMENTS

4,781,680	A *	11/1988	Redmond et al.	604/288.02
5,989,216	A *	11/1999	Johnson et al.	604/288.02
D445,175	S *	7/2001	Bertheas	D24/108
D578,203	S *	10/2008	Bizup	D24/108
D613,394	S *	4/2010	Linden	D24/108

2005/0085778	A1 *	4/2005	Parks	604/288.02
2007/0078391	A1 *	4/2007	Wortley et al.	604/116
2009/0221976	A1 *	9/2009	Linden	604/288.01

* cited by examiner

Primary Examiner—Charles A Rademaker

Assistant Examiner—Charles D Hanson

(57) **CLAIM**

We claim the ornamental design for an implantable venous device, as shown and described.

DESCRIPTION

FIG. 1 is a perspective view of an implantable venous device showing my new design;

FIG. 2 is a front view thereof;

FIG. 3 is a rear view thereof;

FIG. 4 is a left side view thereof;

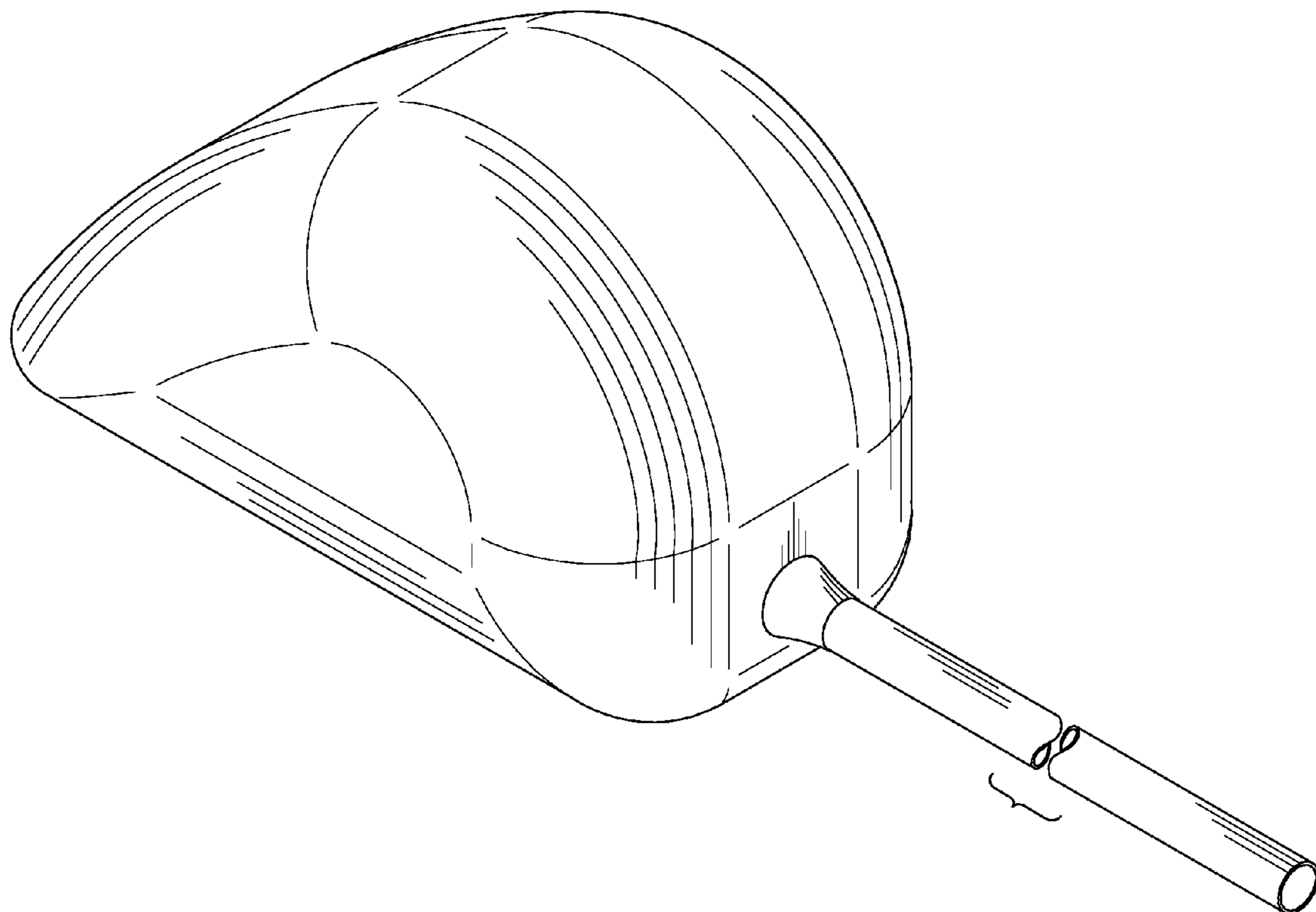
FIG. 5 is a right side view thereof;

FIG. 6 is a top plan view thereof; and,

FIG. 7 is a bottom view thereof; FIGS. 1-3, 6 and 7 show the tube member in fragment to indicate indeterminate length.

FIG. 1-3, 6 and 7 show the tube member in fragment to indicate indeterminate length.

1 Claim, 7 Drawing Sheets



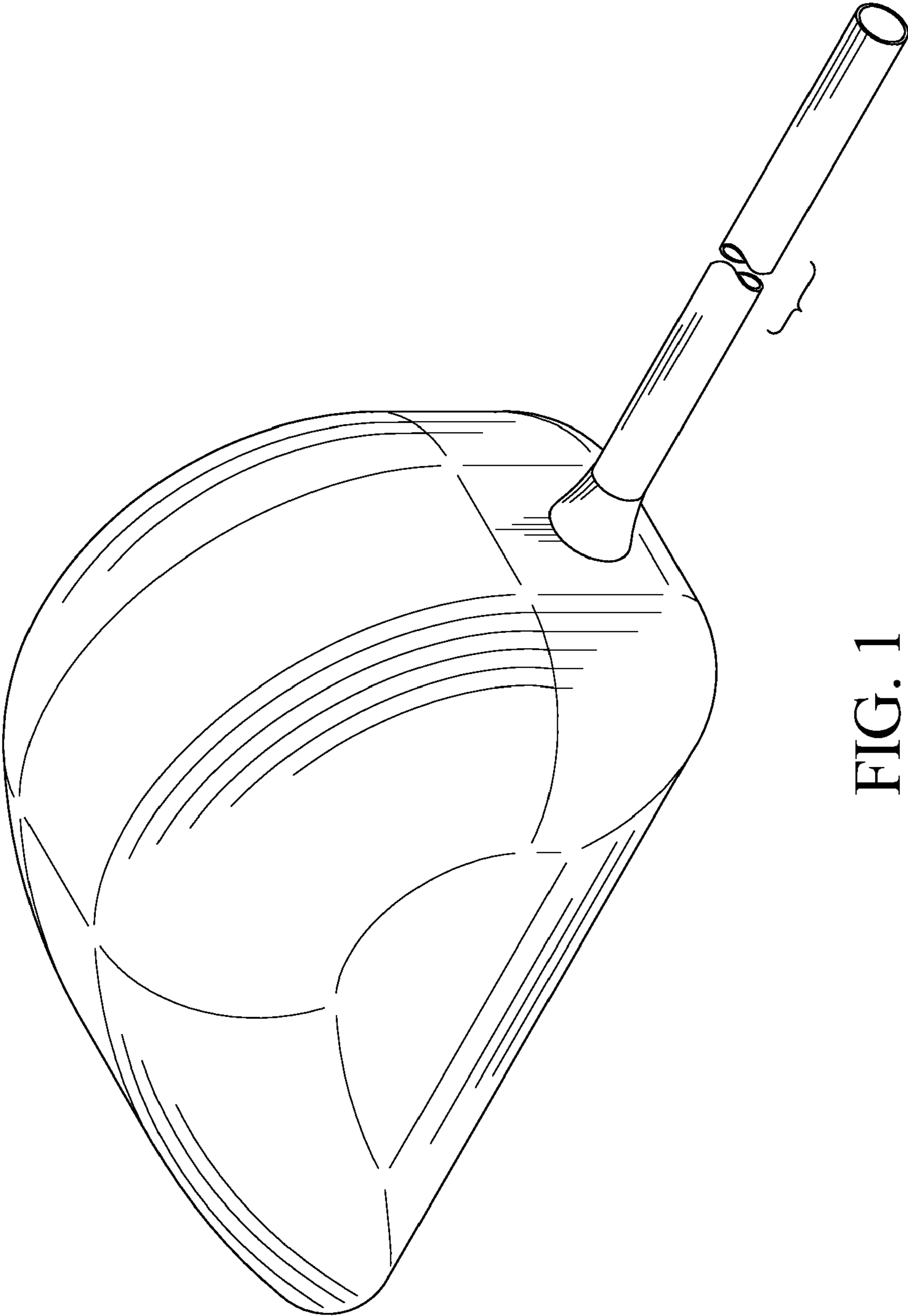


FIG. 1

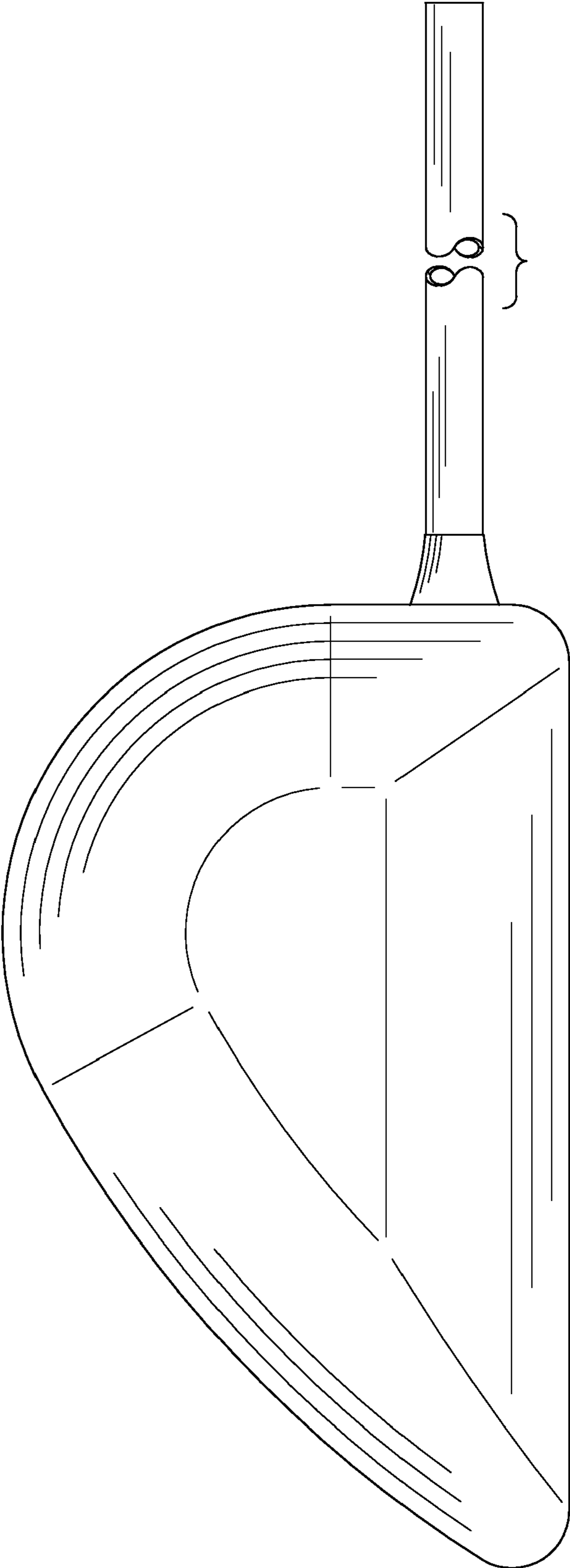


FIG. 2

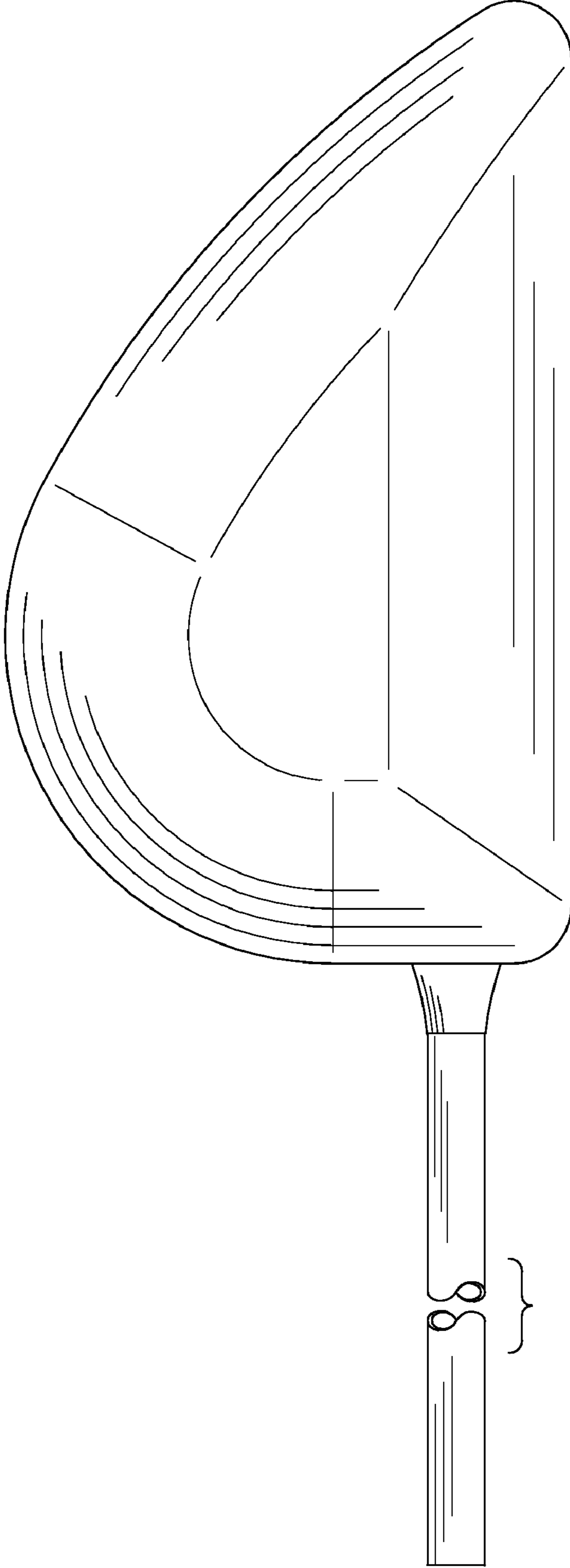


FIG. 3

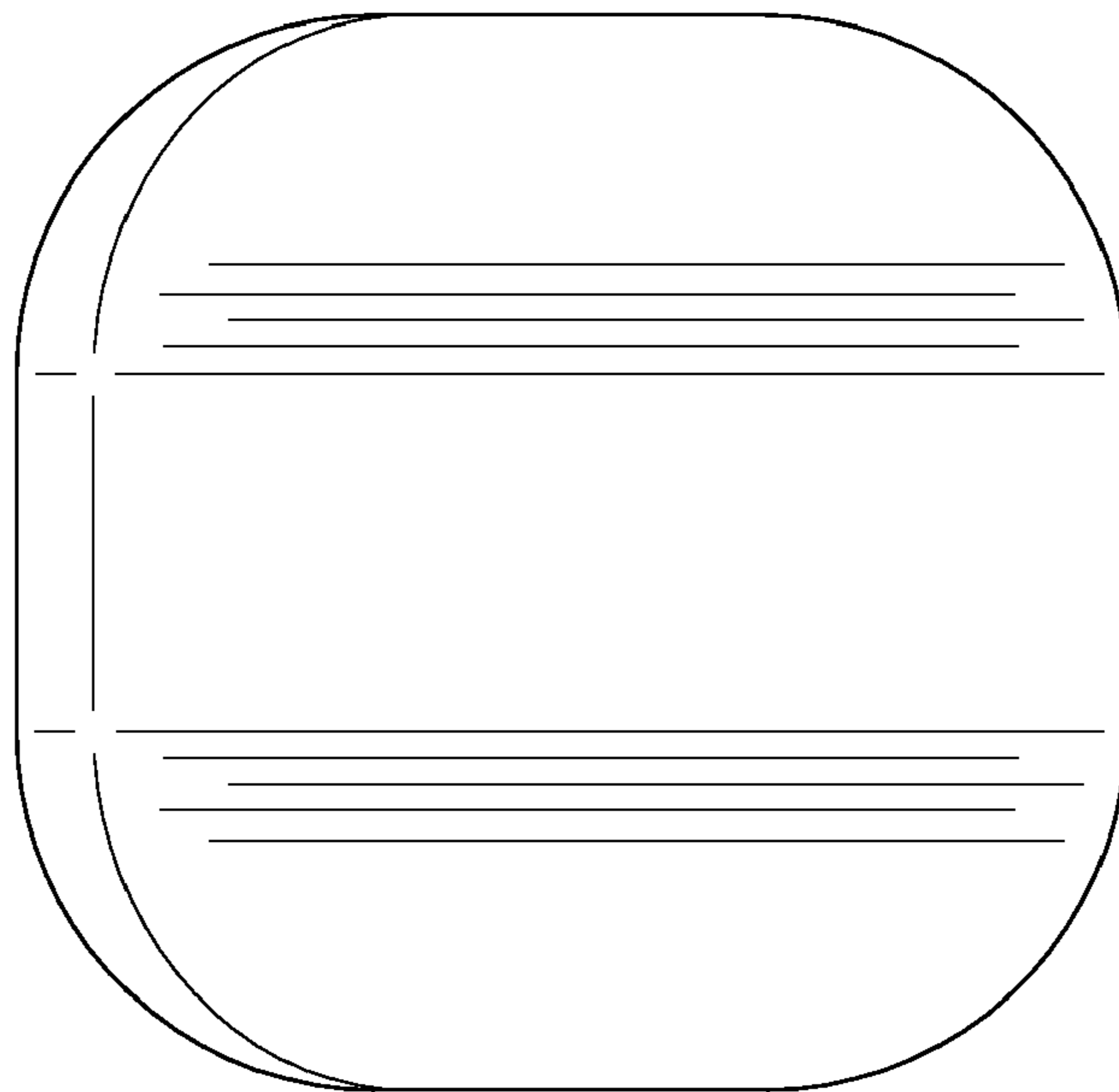


FIG. 4

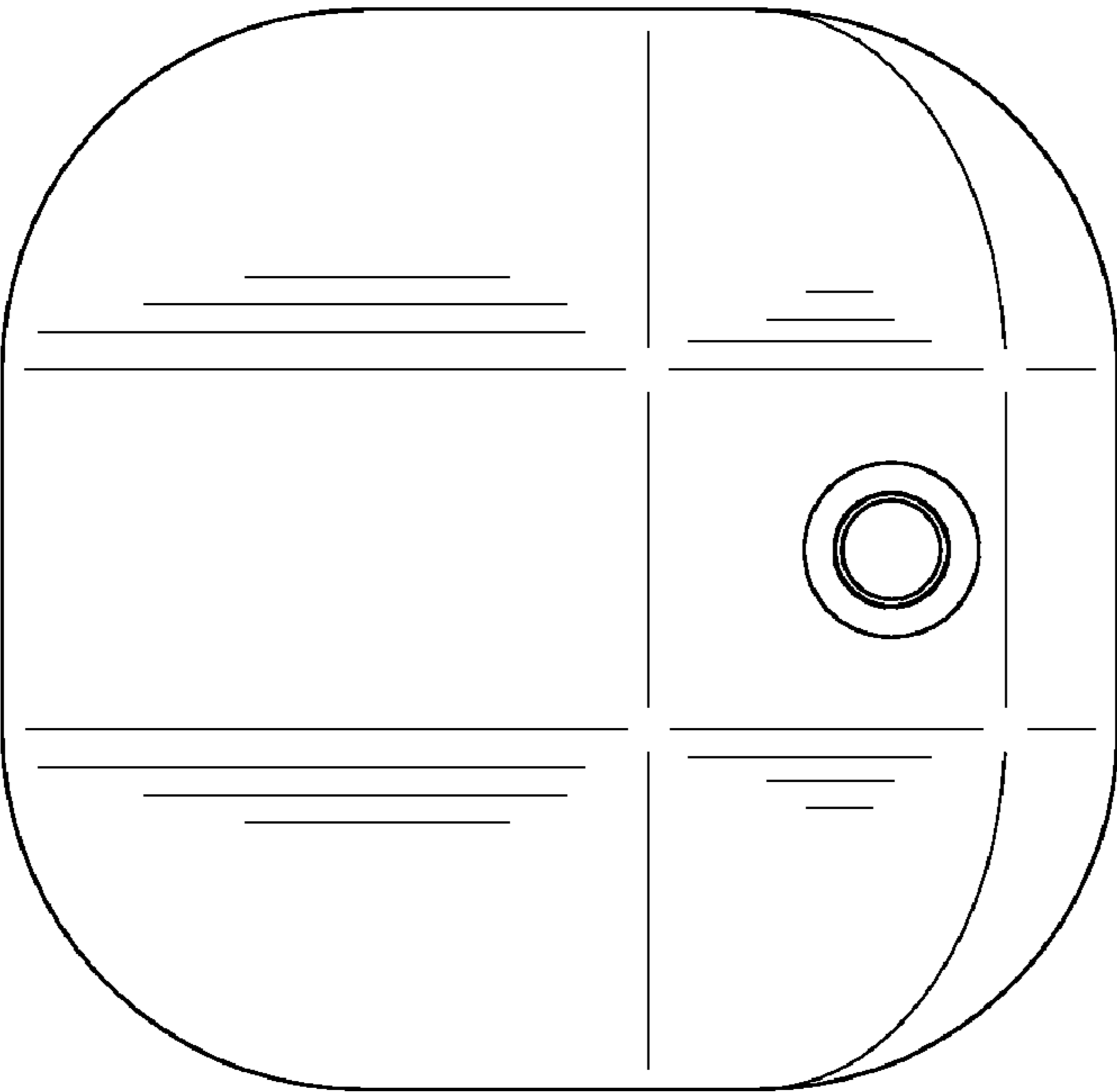


FIG. 5

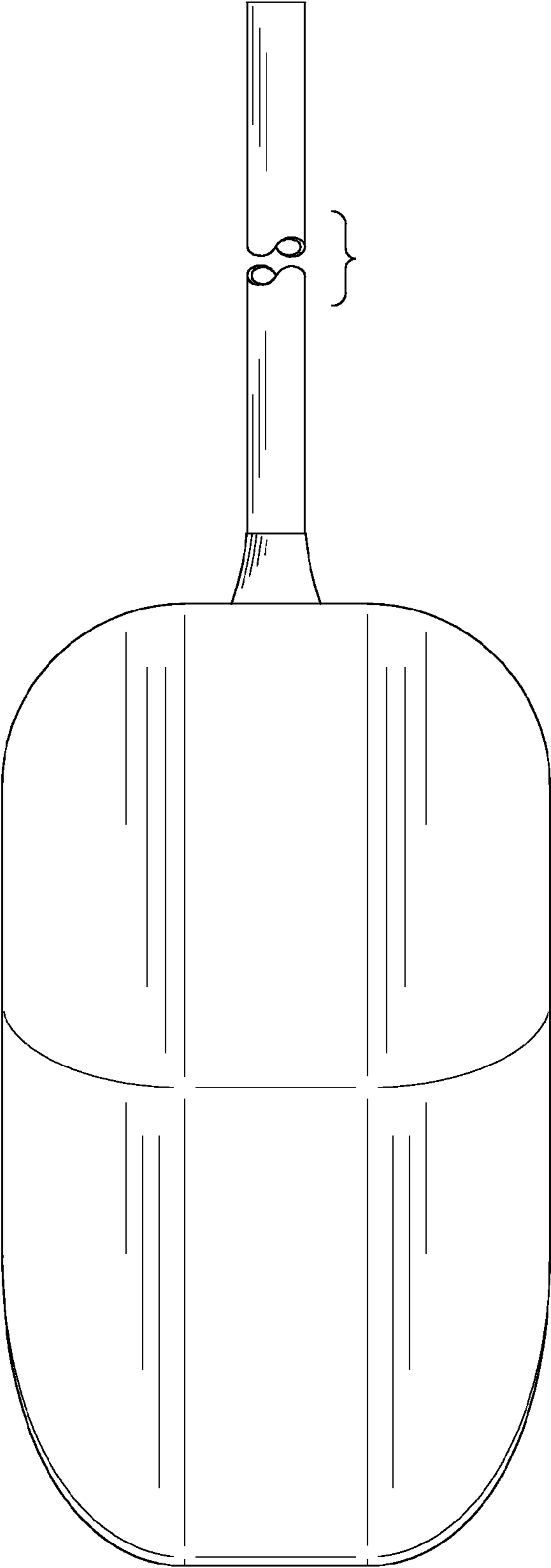


FIG. 6

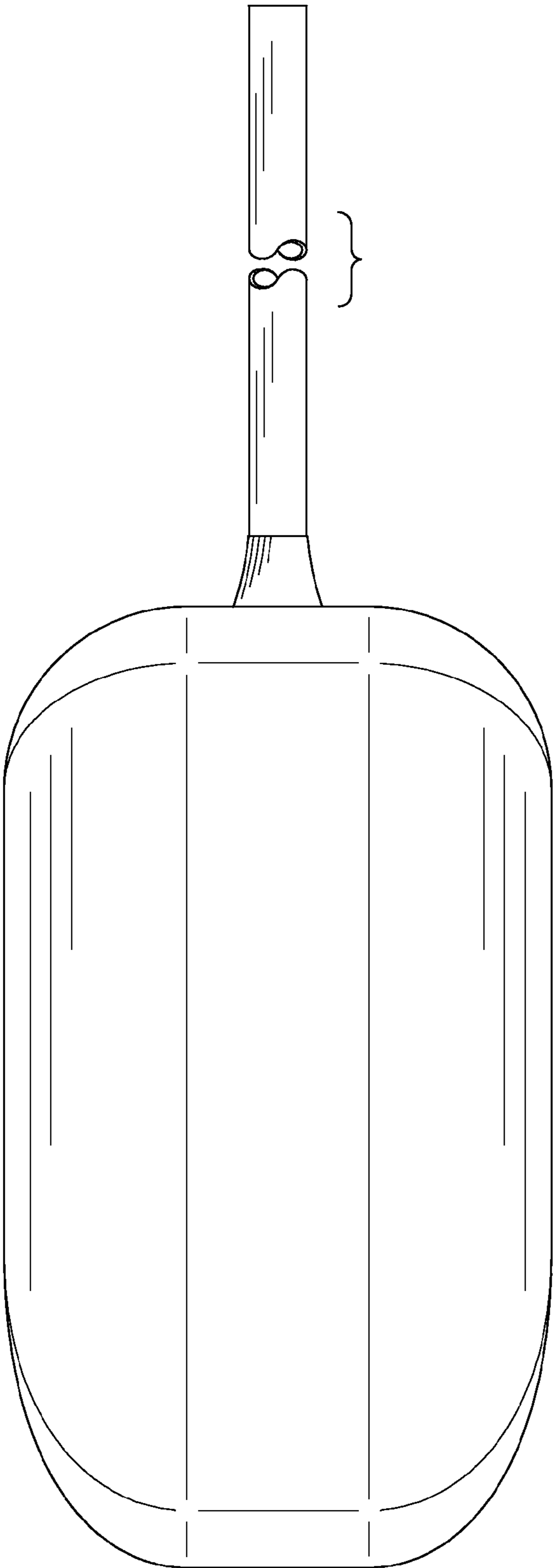


FIG. 7