



US00D627057S

(12) **United States Design Patent**  
**Gallo**

(10) **Patent No.:** **US D627,057 S**

(45) **Date of Patent:** **\*\* Nov. 9, 2010**

(54) **DEVICE TO WASH NASAL PASSAGES**

(75) Inventor: **David Gallo**, San Diego, CA (US)

(73) Assignee: **Med-Systems, Inc.**, Madison, WI (US)

(\*\*) Term: **14 Years**

(21) Appl. No.: **29/352,459**

(22) Filed: **Dec. 21, 2009**

(51) **LOC (9) Cl.** ..... **24-02**

(52) **U.S. Cl.** ..... **D24/108**

(58) **Field of Classification Search** ..... D24/108,  
D24/110, 111; D7/312, 321; 604/94.01,  
604/73, 93.01, 275, 217

See application file for complete search history.

(56) **References Cited**

**U.S. PATENT DOCUMENTS**

D355,563 S	2/1995	Lebowitz	
D481,794 S	11/2003	Krinsky	
D530,815 S	10/2006	Murphy et al.	
D573,250 S	7/2008	MacRae et al.	
D590,493 S	4/2009	Harlan et al.	
2003/0229306 A1 *	12/2003	Sherman	604/93.01
2008/0294124 A1 *	11/2008	Mehta	604/260

\* cited by examiner

*Primary Examiner*—Ian Simmons

*Assistant Examiner*—Charles D Hanson

(74) *Attorney, Agent, or Firm*—Stephen C. Beuerle; Procopio Cory Hargreaves & Savitch LLP

(57) **CLAIM**

The ornamental design for a device to wash nasal passages, as shown and described.

**DESCRIPTION**

FIG. 1 is a top perspective view of a device to wash nasal passages showing my new design.

FIG. 2 is a bottom perspective view of the device to wash nasal passages.

FIG. 3 is a front elevational view of the device to wash nasal passages, a rear elevational view being identical thereto.

FIG. 4 is a top plan view of the device to wash nasal passages.

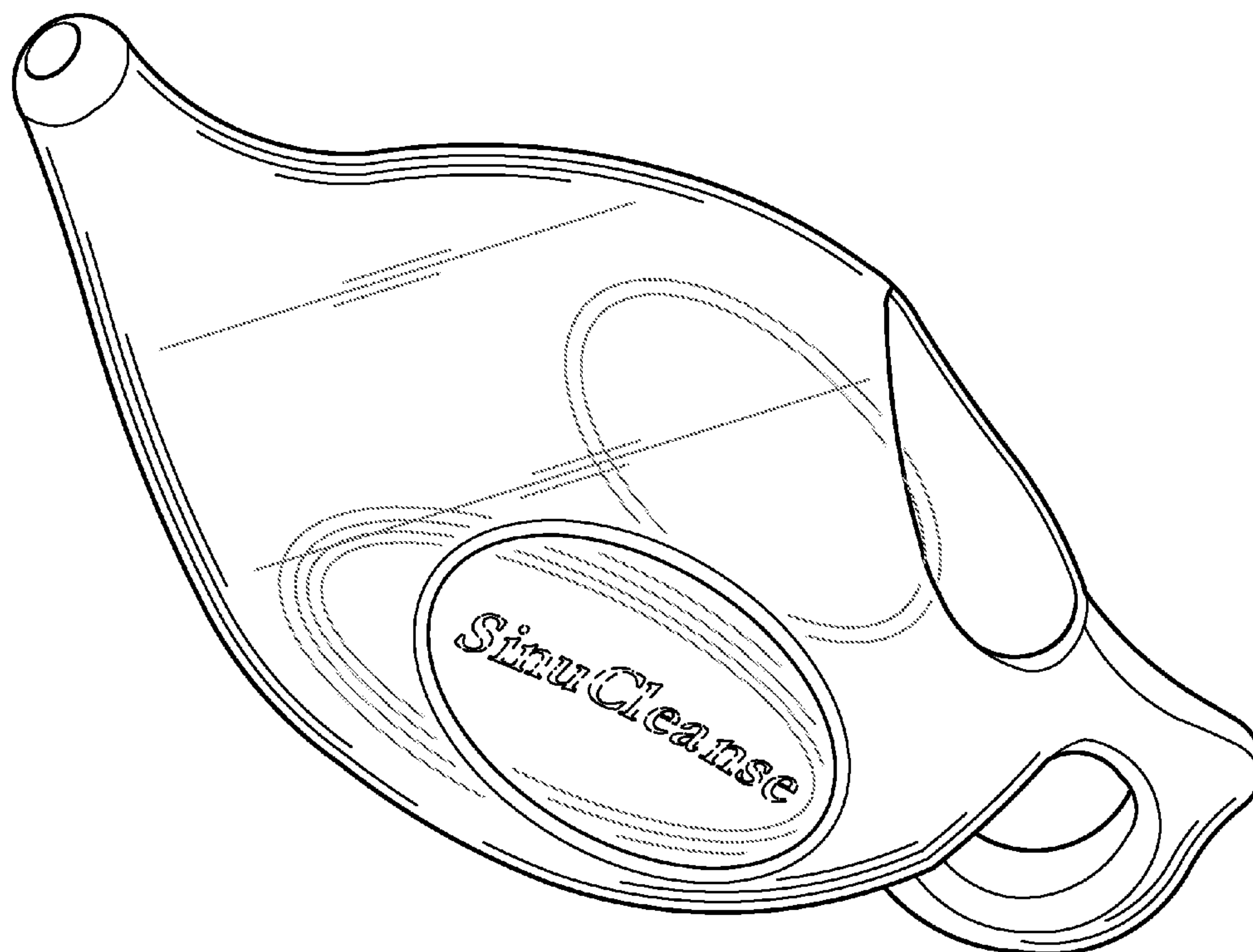
FIG. 5 is a bottom plan view of the device to wash nasal passages.

FIG. 6 is a left side elevational view of the device to wash nasal passages; and,

FIG. 7 is a right side elevational view of the device to wash nasal passages.

The broken lines shown in FIGS. 1-7 are included for the purpose of illustrating environmental elements only and form no part of the claimed design.

**1 Claim, 3 Drawing Sheets**



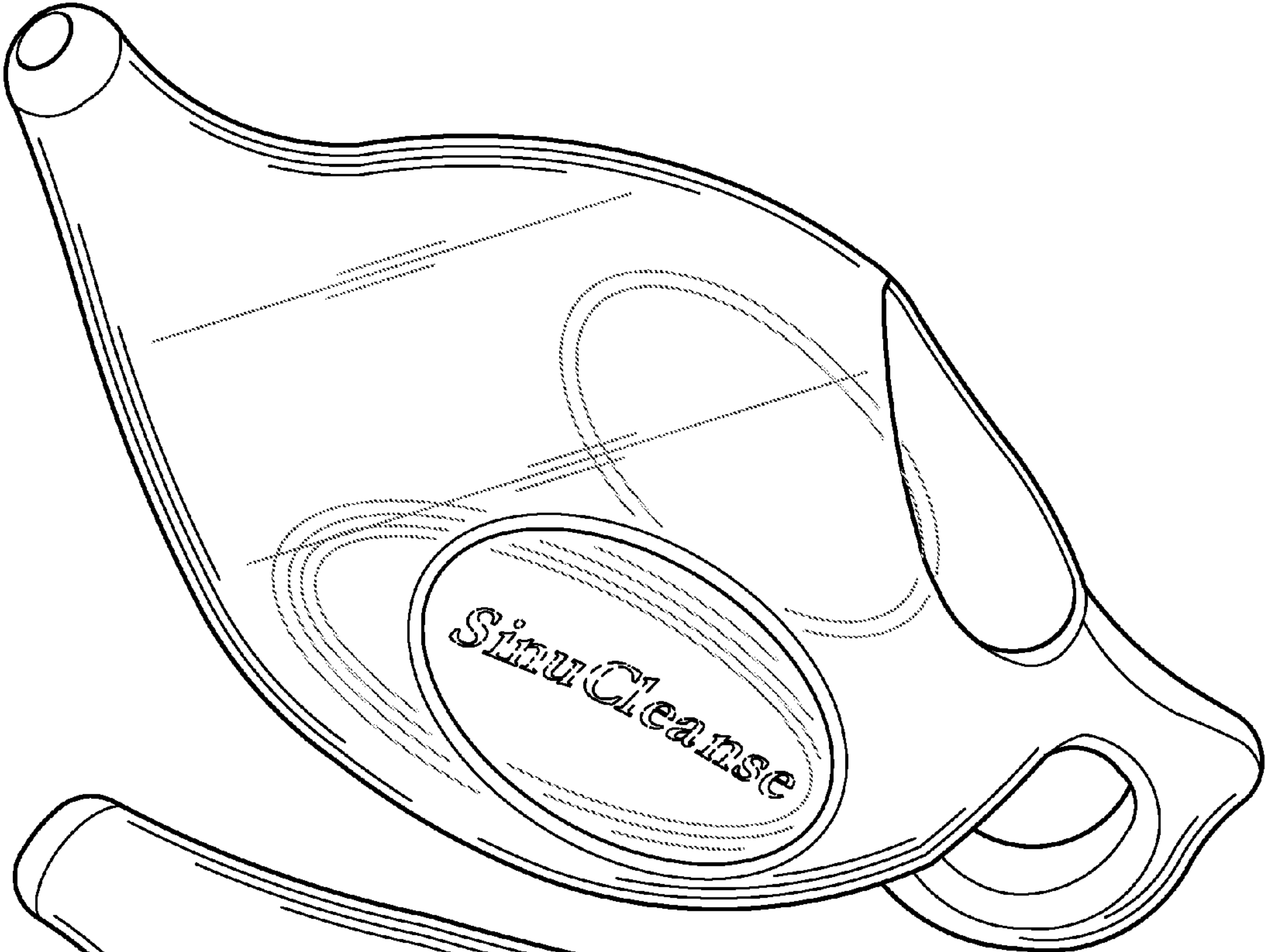


FIG. 1

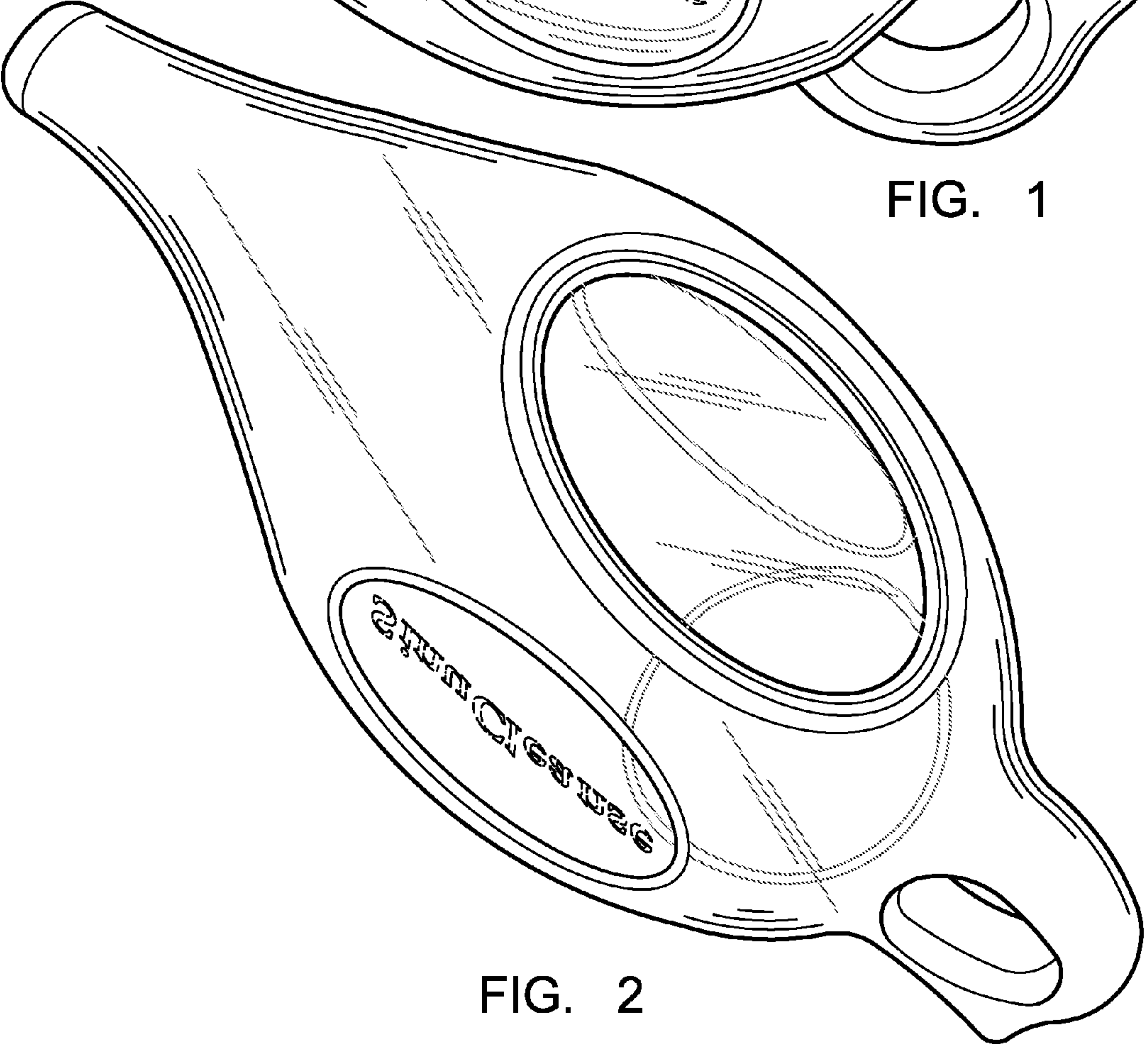


FIG. 2

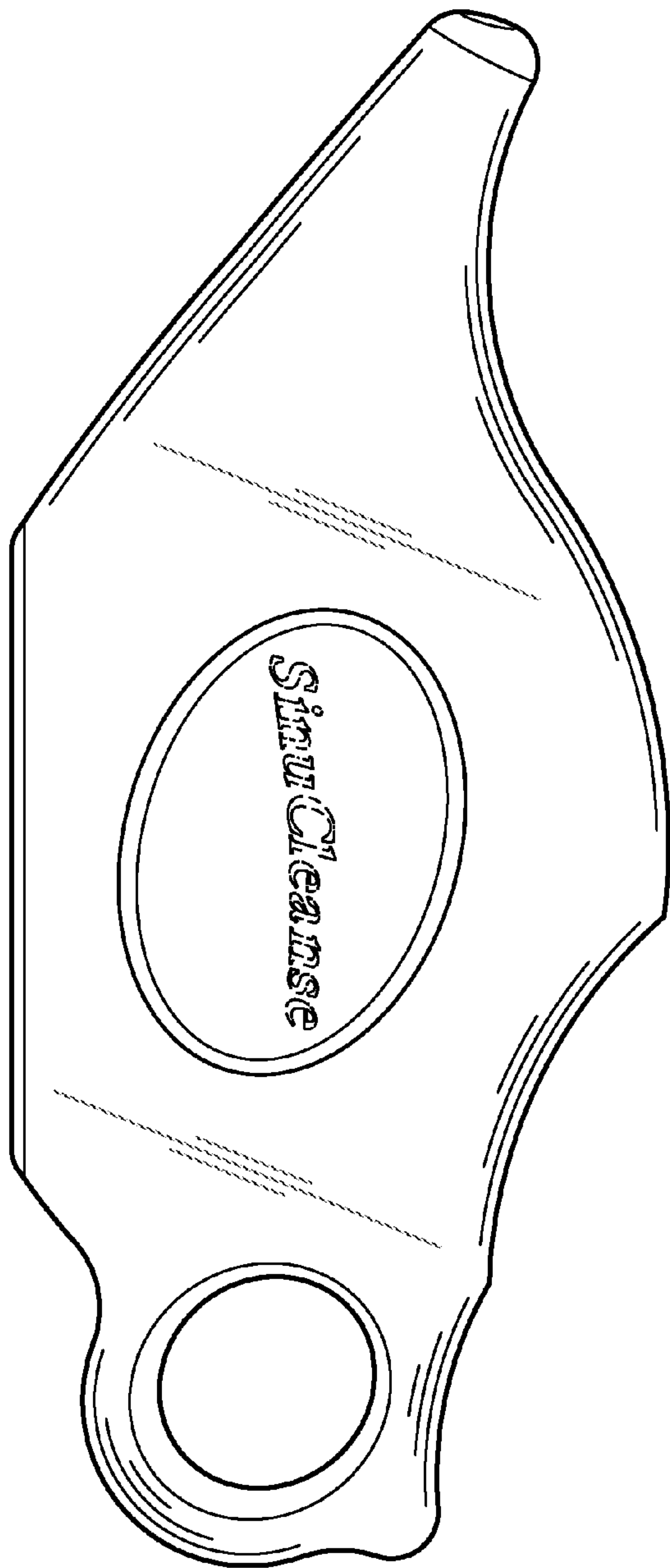


FIG. 3

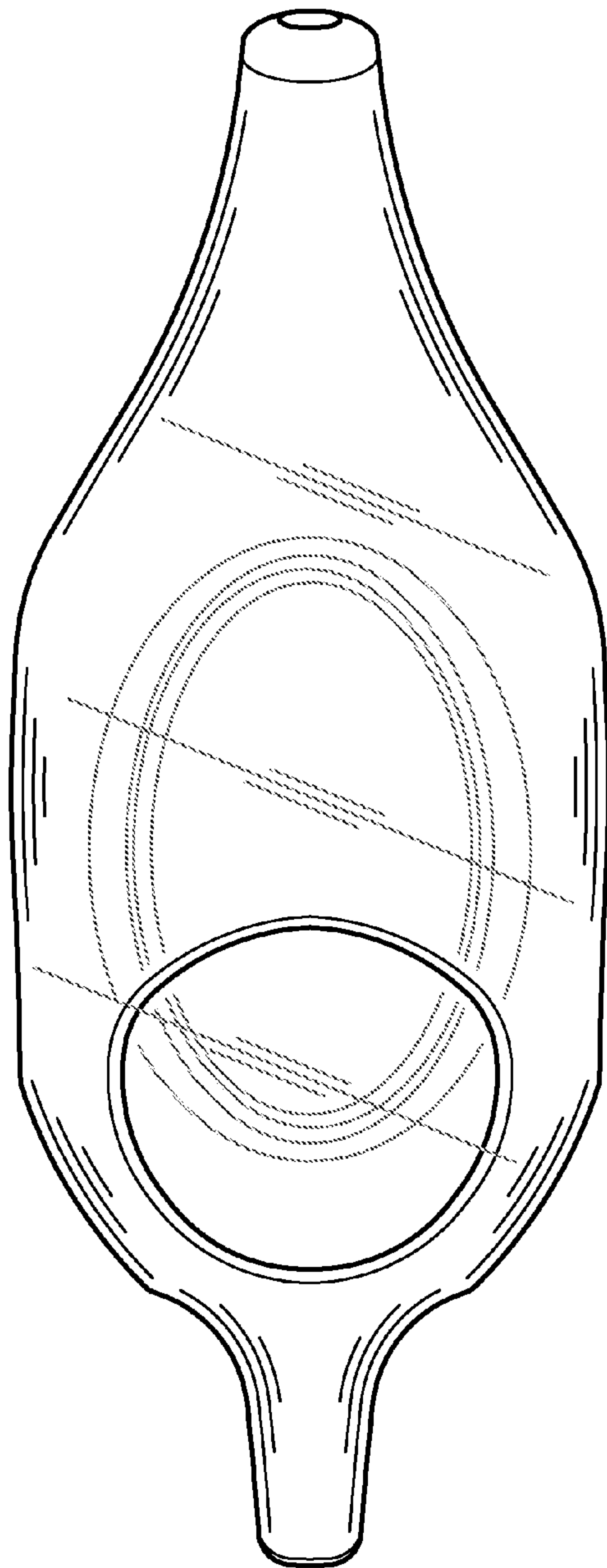


FIG. 4



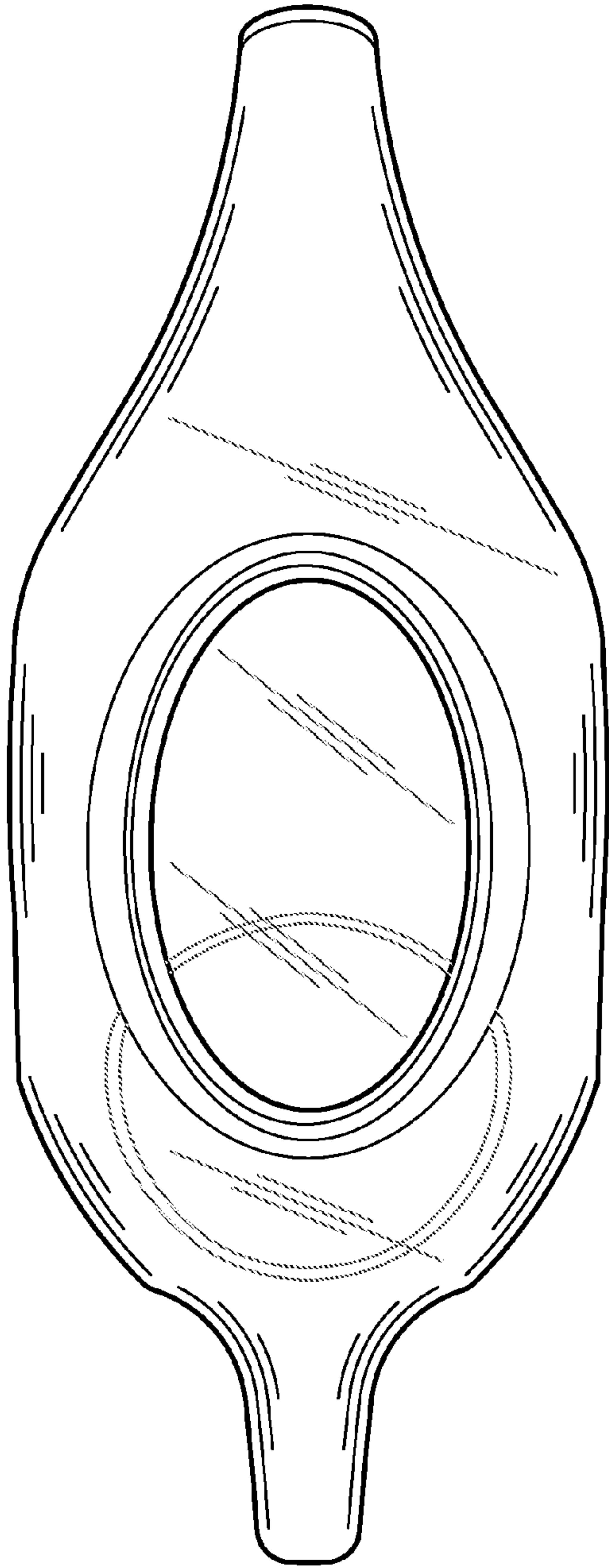


FIG. 5

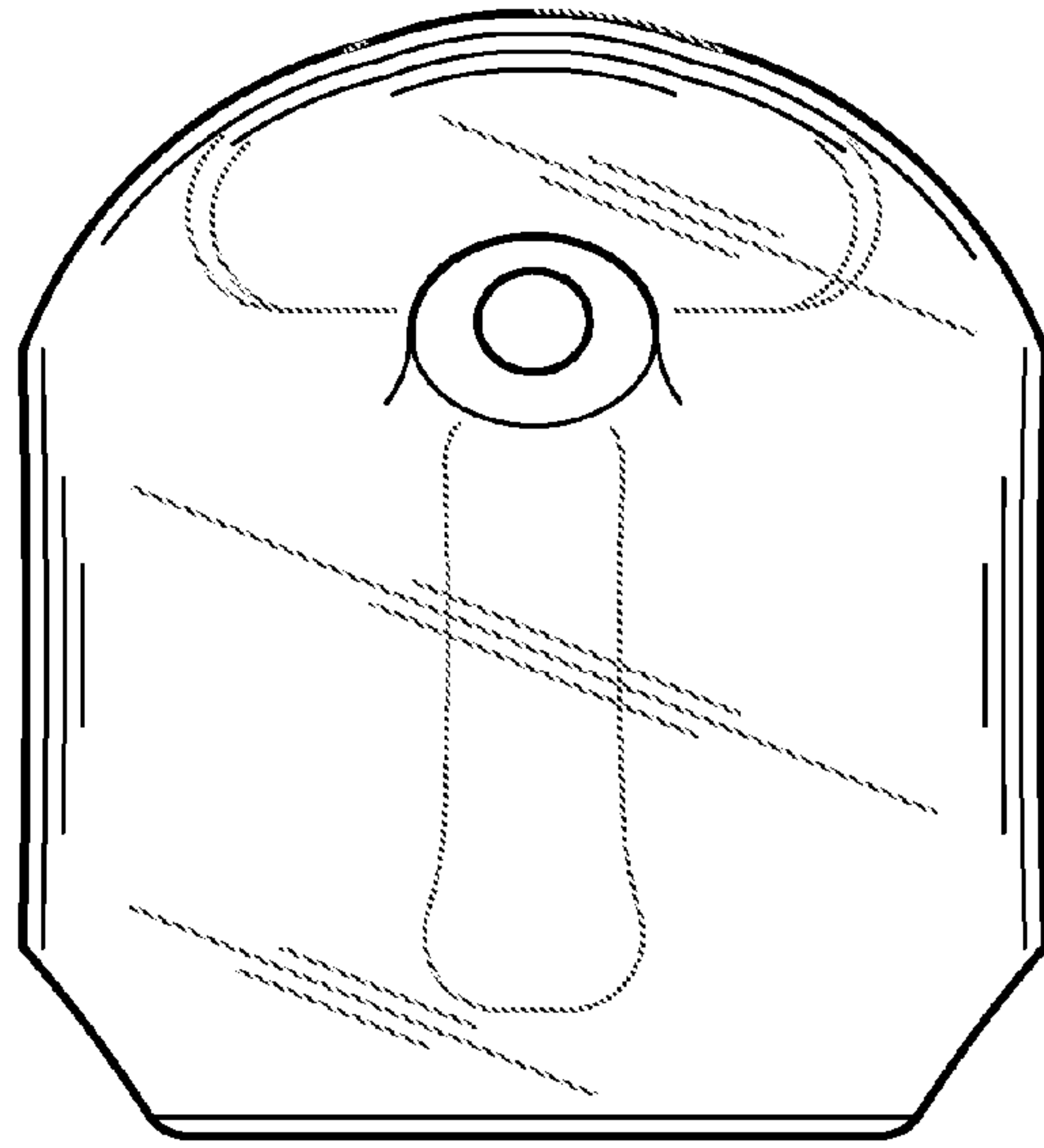


FIG. 6

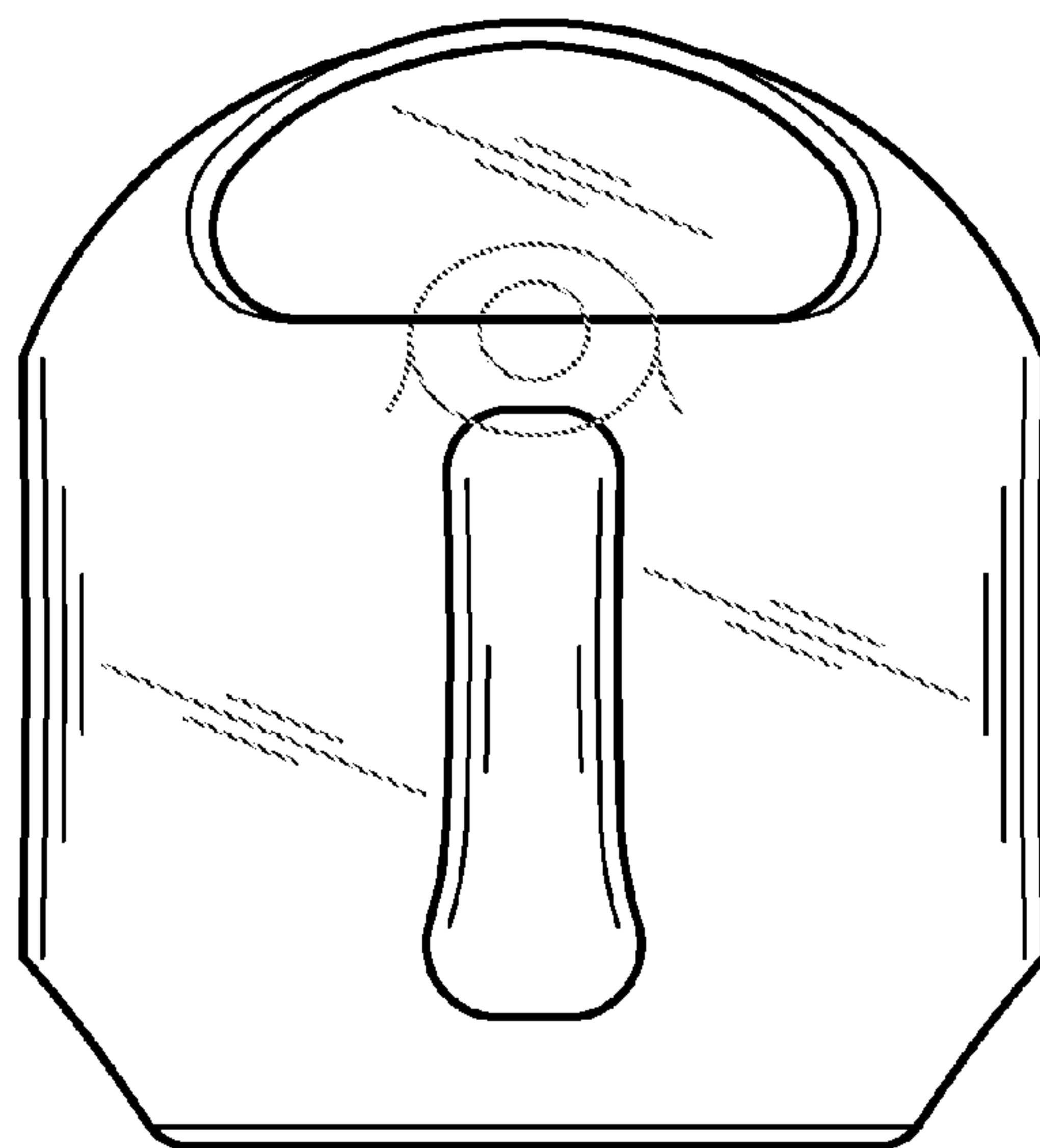


FIG. 7