



US00D627056S

(12) **United States Design Patent**  
**Quensel**

(10) **Patent No.:** **US D627,056 S**  
(45) **Date of Patent:** **\*\* Nov. 9, 2010**

(54) **COMPONENT OF A MINIMAL-INVASIVE DISC SYSTEM**

(75) Inventor: **Ulf Quensel**, Ystad (SE)

(73) Assignee: **Ultrazonix DNT AB**, Malmo (SE)

(\*\*) Term: **14 Years**

(21) Appl. No.: **29/252,834**

(22) Filed: **Jan. 30, 2006**

(51) **LOC (9) Cl.** ..... **24-01**

(52) **U.S. Cl.** ..... **D24/107; D13/146**

(58) **Field of Classification Search** ..... D24/107,  
D24/133, 144, 129, 187; 600/439, 407, 103;  
D13/133, 146, 147

See application file for complete search history.

(56) **References Cited**

**U.S. PATENT DOCUMENTS**

D162,795	S	*	4/1951	De Tar	.....	D13/146
4,419,998	A	*	12/1983	Heath	.....	600/391
D286,280	S	*	10/1986	Holtman et al.	.....	D13/101
4,646,754	A	*	3/1987	Seale	.....	600/587
D294,388	S	*	2/1988	Hardy et al.	.....	D24/144
4,834,103	A	*	5/1989	Heath	.....	600/372
D312,307	S	*	11/1990	Leibson et al.	.....	D24/107
D355,486	S	*	2/1995	Ikeda	.....	D24/144
D402,030	S	*	12/1998	Roberts et al.	.....	D24/144
D402,031	S	*	12/1998	Roberts et al.	.....	D24/144
D406,816	S	*	3/1999	Hopper et al.	.....	D13/146
D412,977	S	*	8/1999	Hayamizu	.....	D24/107
6,162,187	A	*	12/2000	Buzzard et al.	.....	600/573
D446,771	S	*	8/2001	Bosatelli	.....	D13/146

D481,123	S	*	10/2003	Hayamizu	.....	D24/138
D524,741	S	*	7/2006	Bihrer	.....	D13/146
D525,202	S	*	7/2006	Bihrer	.....	D13/146
D525,203	S	*	7/2006	Bihrer	.....	D13/146
D534,654	S	*	1/2007	Hayamizu	.....	D24/138
D537,163	S	*	2/2007	Nakamura	.....	D24/138
D537,414	S	*	2/2007	Saito	.....	D13/146
D564,094	S	*	3/2008	Hayashi	.....	D24/138
D564,661	S	*	3/2008	Hayashi	.....	D24/138
D565,178	S	*	3/2008	Tanaka	.....	D24/138
7,387,613	B2	*	6/2008	Lidgren	.....	601/3
D615,496	S	*	5/2010	Mennekes	.....	D13/147

\* cited by examiner

*Primary Examiner*—Ian Simmons

*Assistant Examiner*—Carissa C Fitts

(74) *Attorney, Agent, or Firm*—Day Pitney LLP

(57) **CLAIM**

The ornamental design for a component of a minimal-invasive disc system, as shown and described.

**DESCRIPTION**

FIG. 1 is a front perspective view of a component of a minimal-invasive disc system according to my new design;

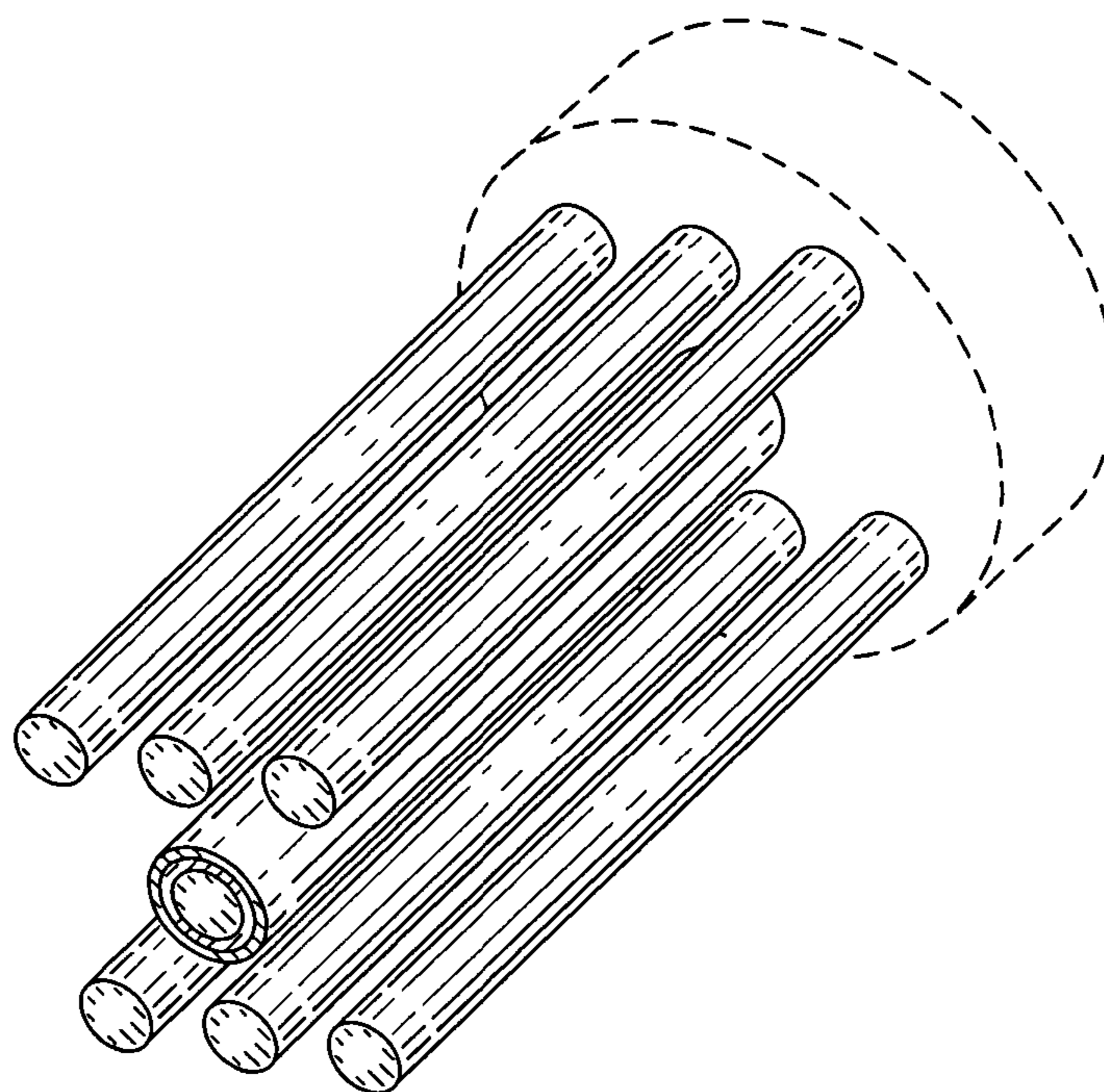
FIG. 2 is a rear view of the component of FIG. 1;

FIG. 3 is a side view of the component of FIG. 1; and,

FIG. 4 is a front view of an attachment for the component of FIG. 1.

The broken line included depicts environment and is not part of the claimed design.

**1 Claim, 1 Drawing Sheet**



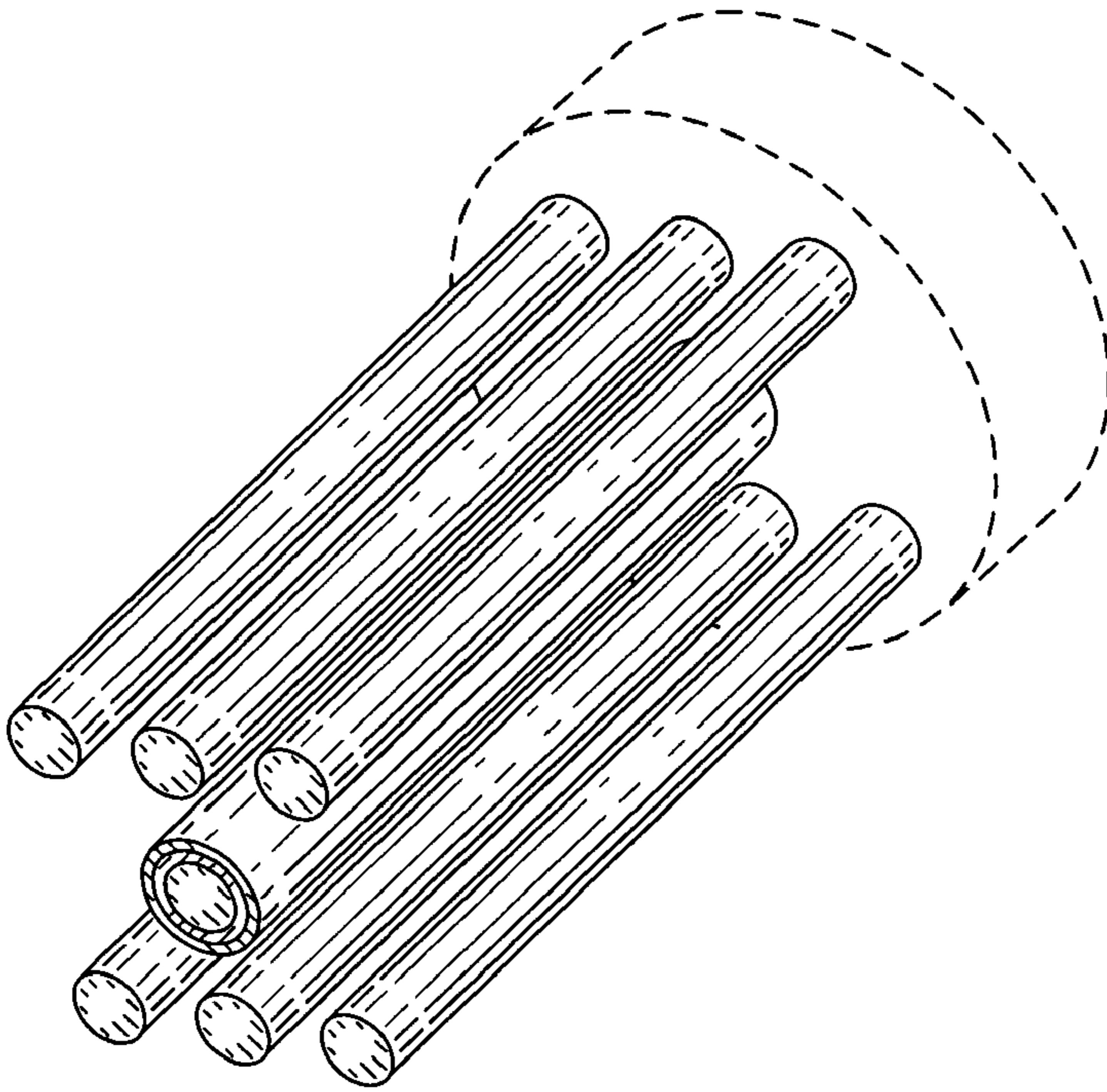


FIG. 1

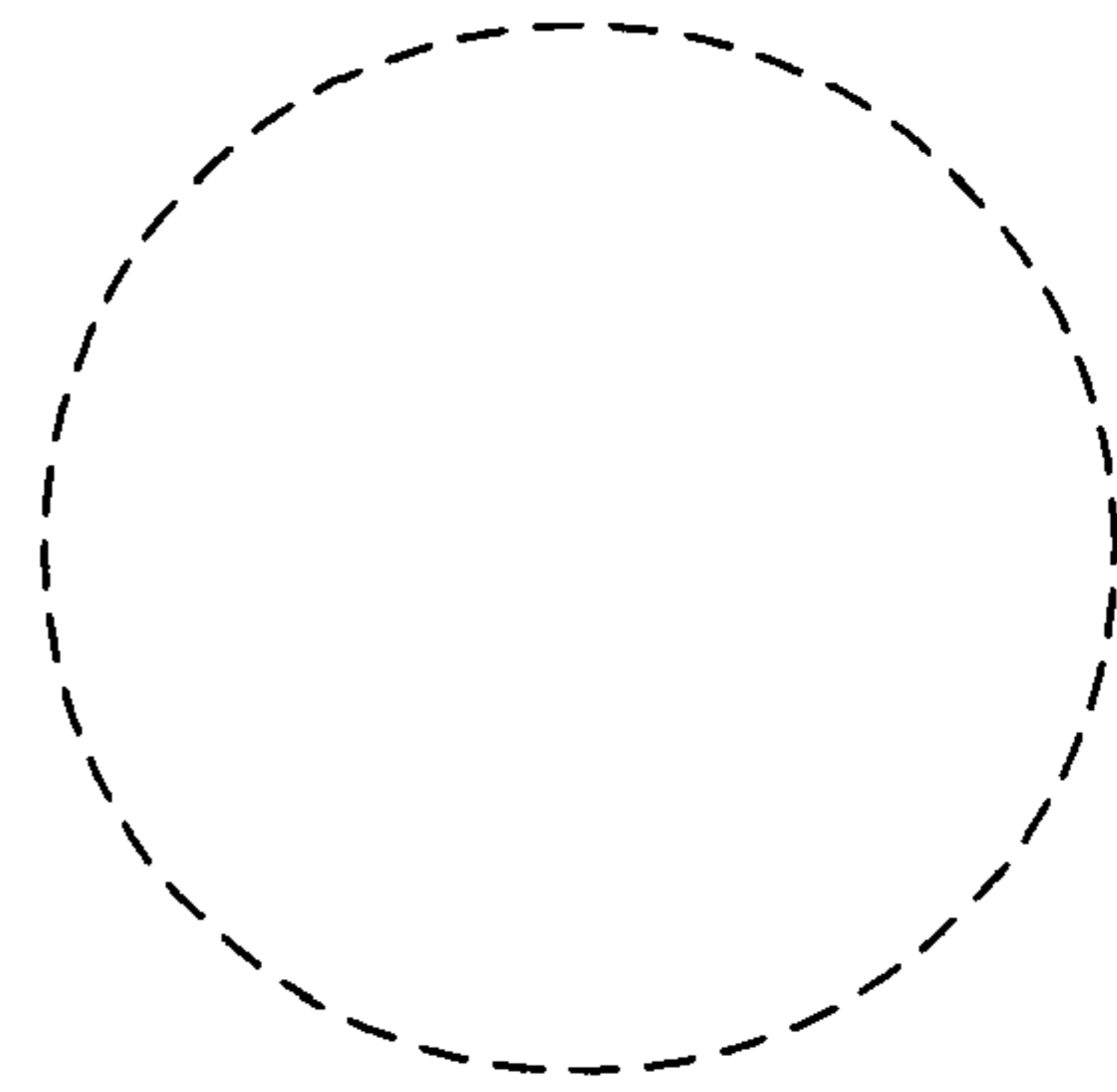


FIG. 2

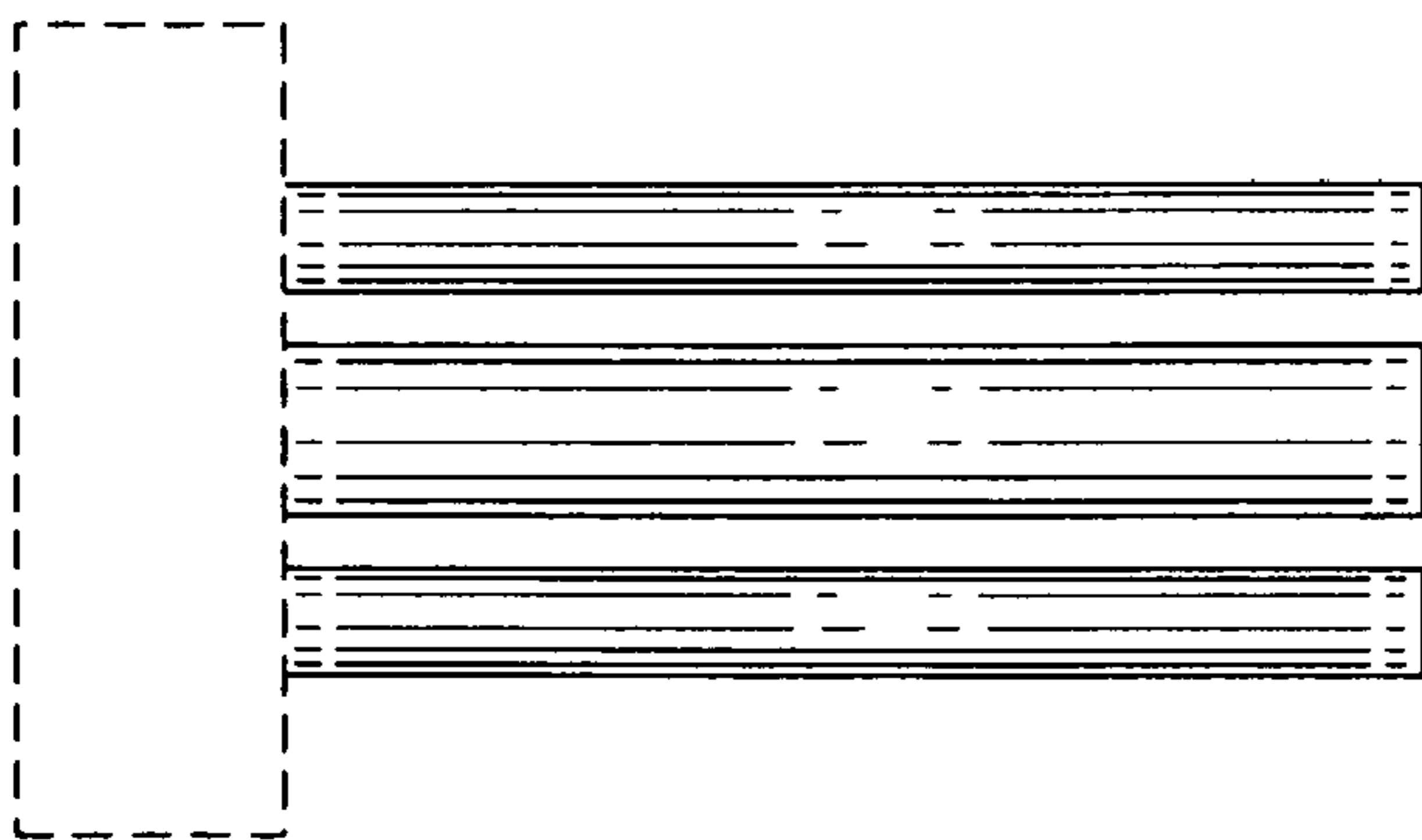


FIG. 3

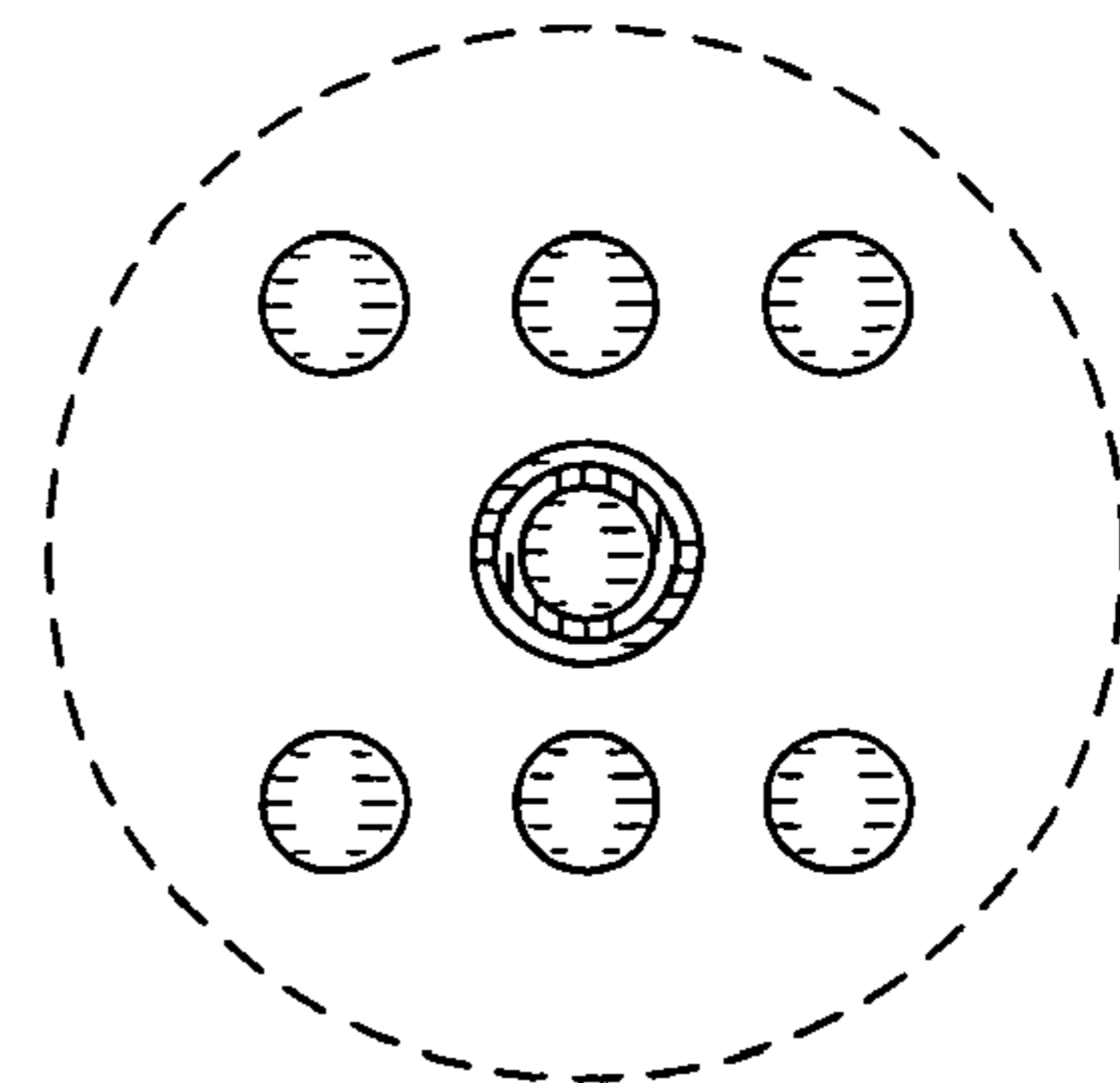


FIG. 4