



US00D627055S

(12) **United States Design Patent**
Bain

(10) **Patent No.:** **US D627,055 S**

(45) **Date of Patent:** **** Nov. 9, 2010**

(54) **CONDOM WITH MEASUREMENTS**

2008/0142021 A1* 6/2008 Hook 128/844

* cited by examiner

(76) **Inventor:** **Sean R. Bain**, 252 Tywnam Heights,
P.O. Box SS-19006, Nassau (BS) 99999

Primary Examiner—Ian Simmons

Assistant Examiner—Charles D Hanson

(**) **Term:** **14 Years**

(74) *Attorney, Agent, or Firm*—QuickPatents, Inc.; Kevin Prince

(21) **Appl. No.:** **29/346,055**

(57) **CLAIM**

(22) **Filed:** **Oct. 26, 2009**

The ornamental design for a condom with measurements, as shown and described.

(51) **LOC (9) Cl.** **24-01**

(52) **U.S. Cl.** **D24/105**

(58) **Field of Classification Search** D24/105–109,
D24/111, 215, 224; 128/839–841, 844; 604/347;
D10/70, 71

DESCRIPTION

See application file for complete search history.

FIG. 1 is a perspective view of a condom with measurements showing my new design;

FIG. 2 is a front elevational view thereof, the rear elevational view being identical thereto;

(56) **References Cited**

U.S. PATENT DOCUMENTS

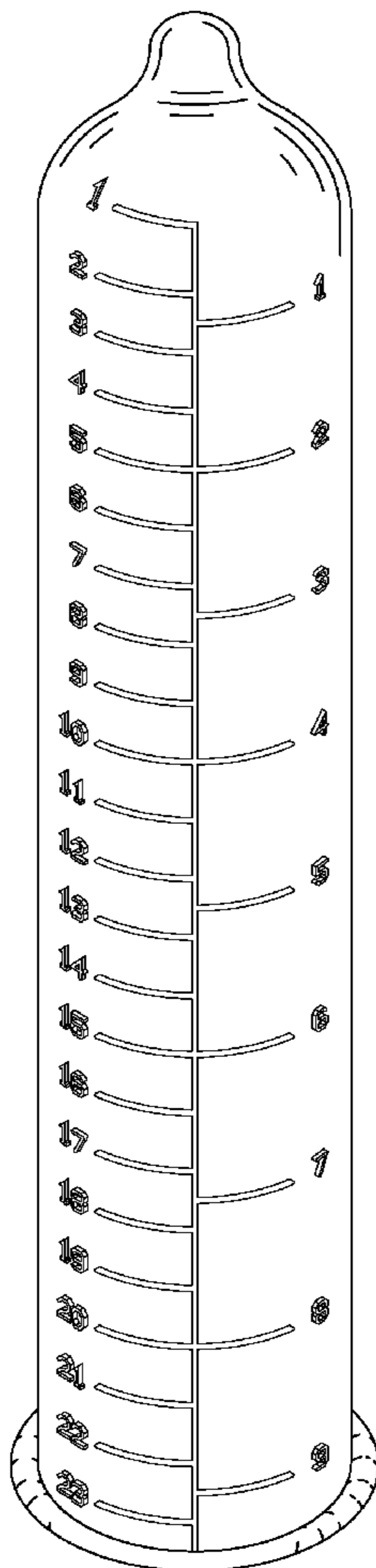
2,394,140	A *	2/1946	Biscow	606/119
5,979,447	A *	11/1999	Al-Falahe	128/842
D477,663	S *	7/2003	Weidel et al.	D24/105
2006/0270898	A1 *	11/2006	Grace	600/38
2007/0175484	A1 *	8/2007	Staab	128/844

FIG. 3 is a left-side elevational view thereof, the right-side elevational view being identical thereto;

FIG. 4 is a top plan view thereof; and,

FIG. 5 is a bottom plan view thereof.

1 Claim, 3 Drawing Sheets



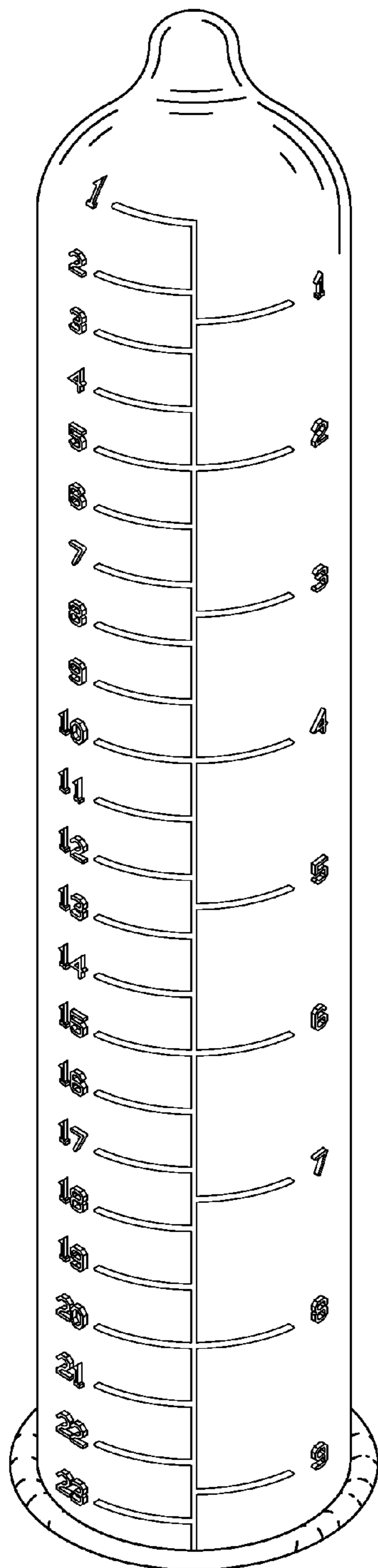


FIG. 1

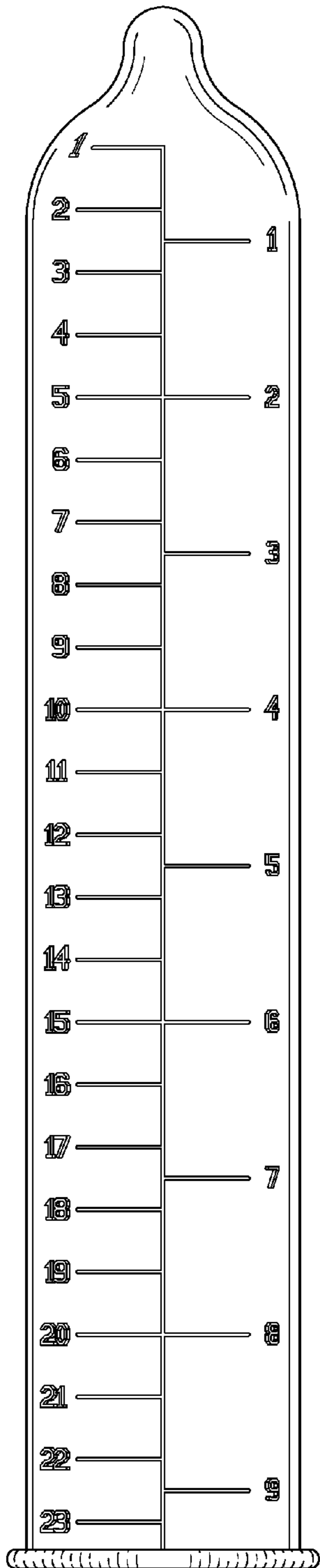


FIG. 2

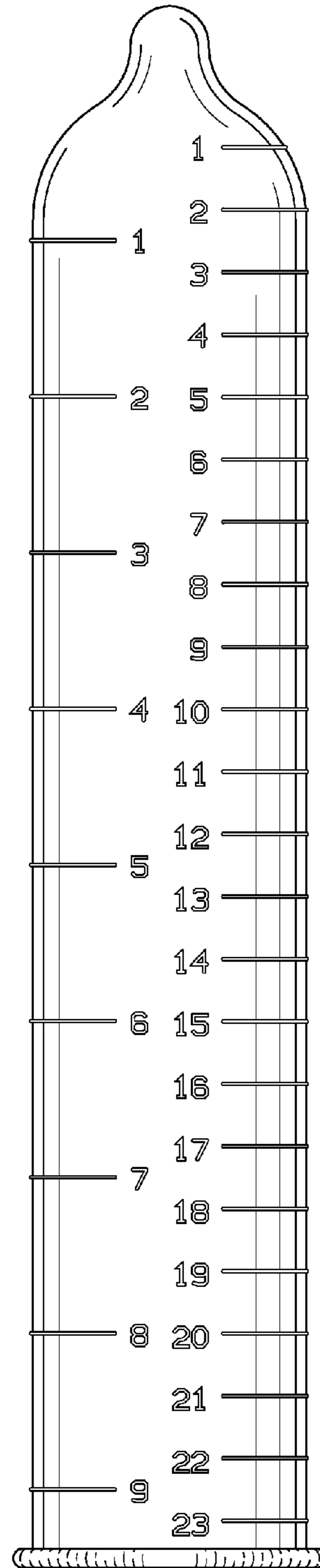


FIG. 3

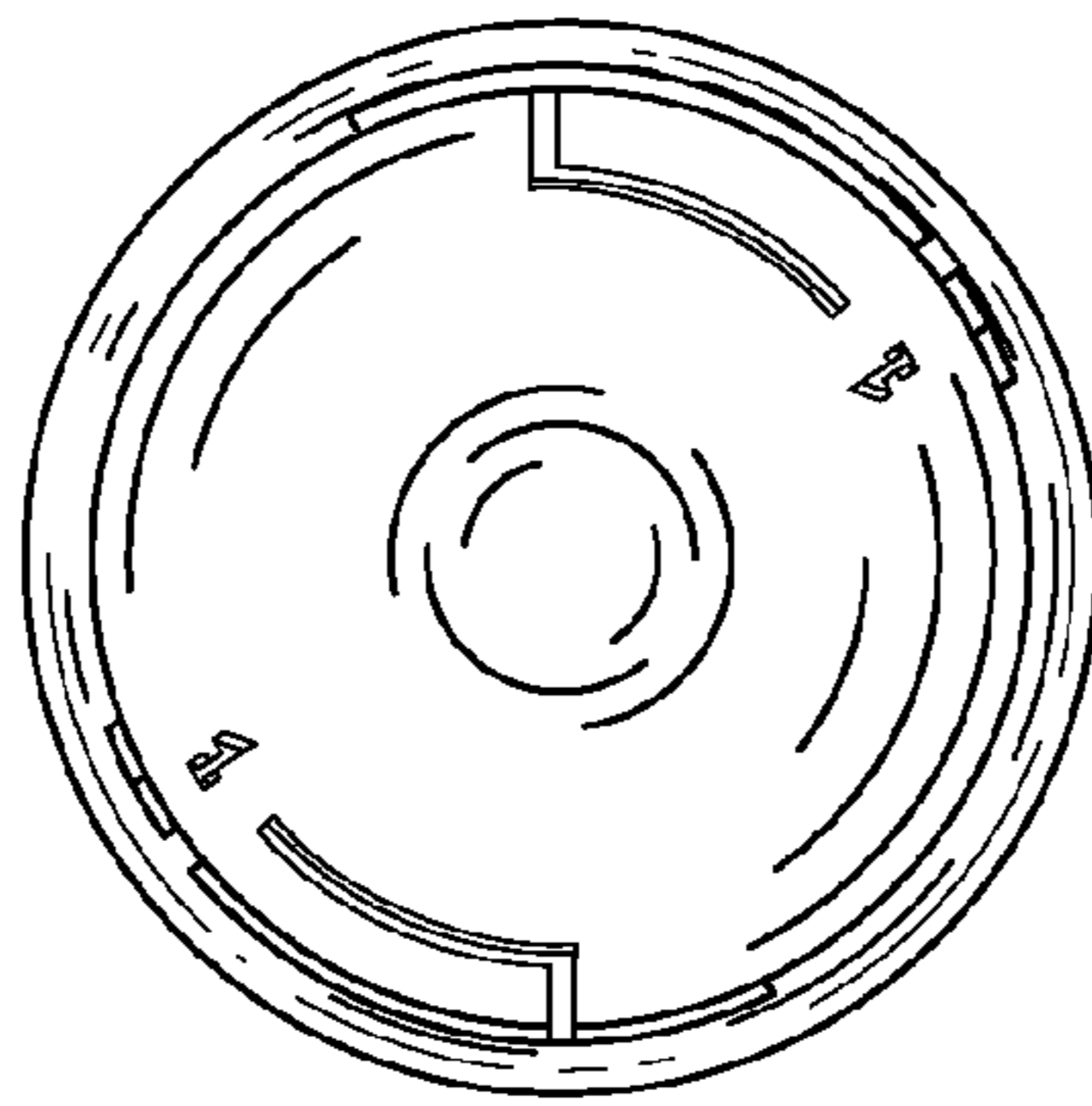


FIG. 4

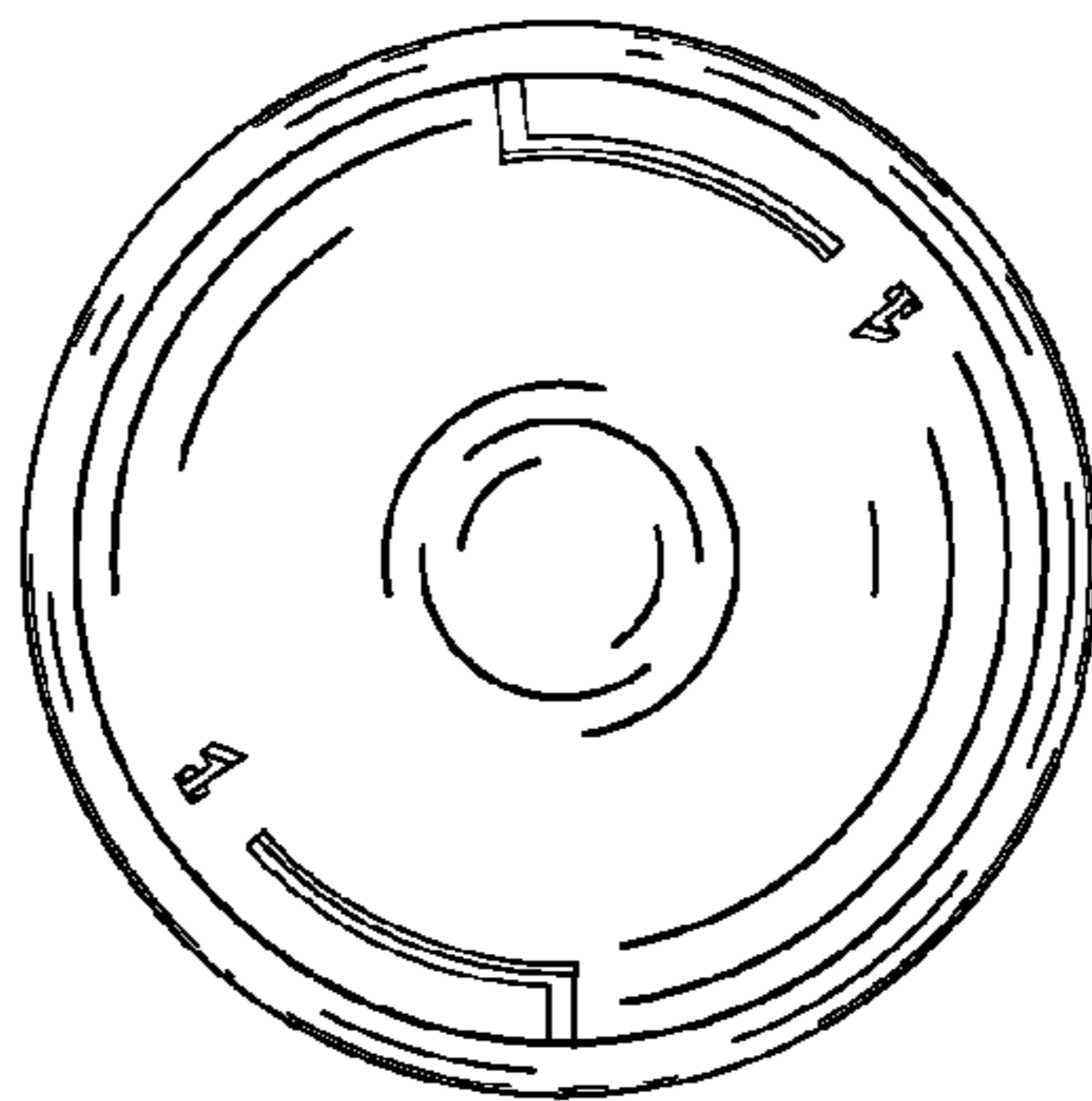


FIG. 5