



US00D627051S

(12) **United States Design Patent**  
**Pan**

(10) **Patent No.:** **US D627,051 S**

(45) **Date of Patent:** **\*\* Nov. 9, 2010**

(54) **CEILING FAN MOTOR HOUSING AND FAN BLADE**

*Primary Examiner*—Lisa P Lichtenstein

(74) *Attorney, Agent, or Firm*—Ming Chow; Sinorica, LLC

(75) **Inventor:** **Peter Pan**, Shetzu (TW)

(57) **CLAIM**

(73) **Assignee:** **Air Cool Industrial Co., Ltd.**, Taichung County (TW)

The ornamental design for a ceiling fan motor housing and fan blade, as shown and described.

(\*\*) **Term:** **14 Years**

(21) **Appl. No.:** **29/364,589**

(22) **Filed:** **Jun. 25, 2010**

(51) **LOC (9) Cl.** ..... **23-04**

(52) **U.S. Cl.** ..... **D23/411**

(58) **Field of Classification Search** ..... D23/377,  
D23/379, 385, 411, 413; 416/5; D26/59,  
D26/72, 81–86, 88, 51

See application file for complete search history.

(56) **References Cited**

**U.S. PATENT DOCUMENTS**

D427,672 S \* 7/2000 Lee ..... D23/377

D541,406 S \* 4/2007 Pickett ..... D23/411

D541,408 S \* 4/2007 Pickett ..... D23/411

\* cited by examiner

**DESCRIPTION**

FIG. 1 is a front perspective view of a ceiling fan motor housing and fan blade showing my new design;

FIG. 2 is a front elevational view thereof;

FIG. 3 is a rear elevational view thereof.

FIG. 4 is a left side elevational view thereof;

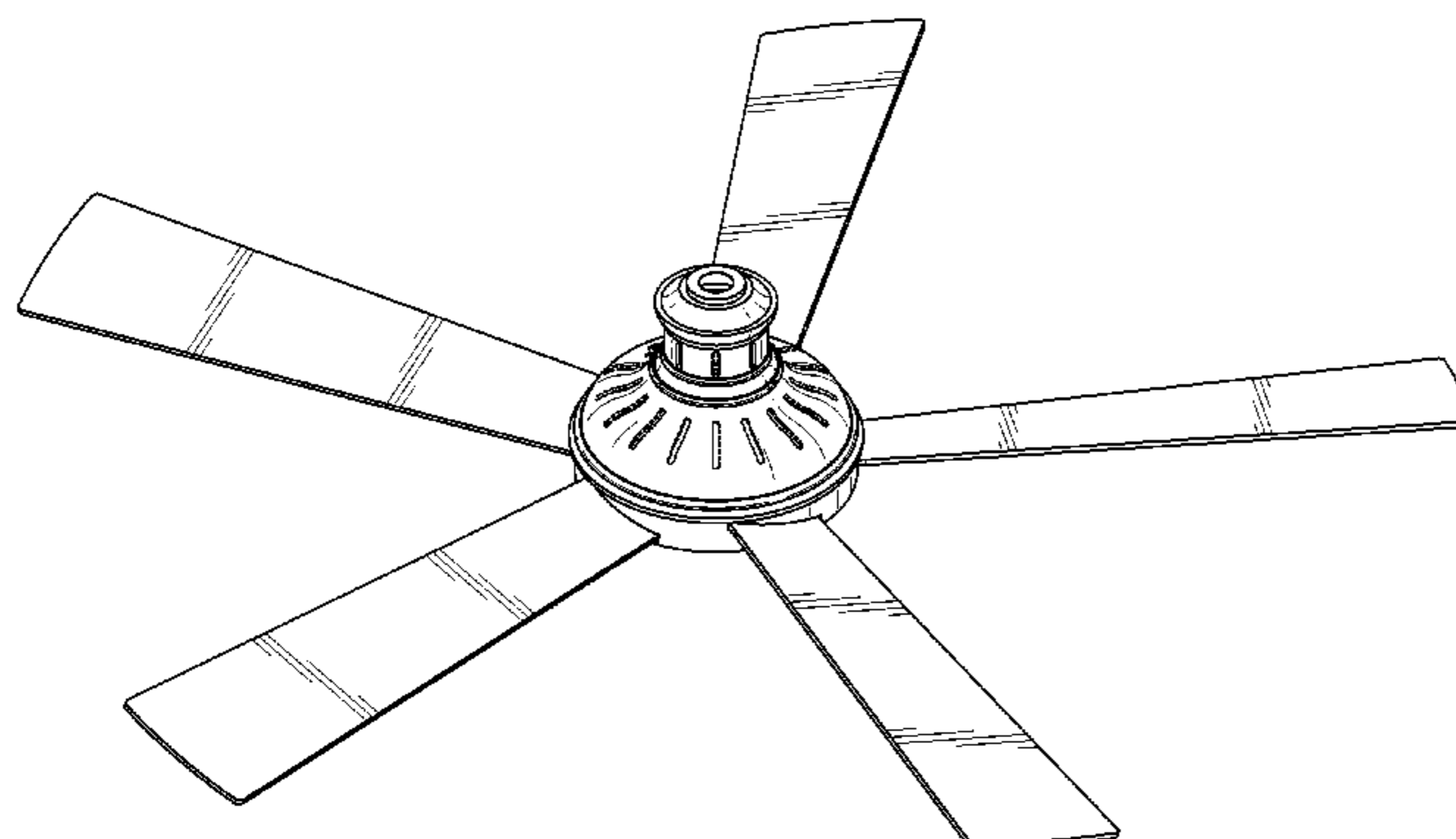
FIG. 5 is a right side elevational view thereof;

FIG. 6 is a top plan view thereof; and,

FIG. 7 is a bottom plan view thereof.

The broken line showing of portions of a ceiling fan motor housing and fan blade is included for the purpose of illustrating environmental structure and forms no part of the claimed design.

**1 Claim, 5 Drawing Sheets**



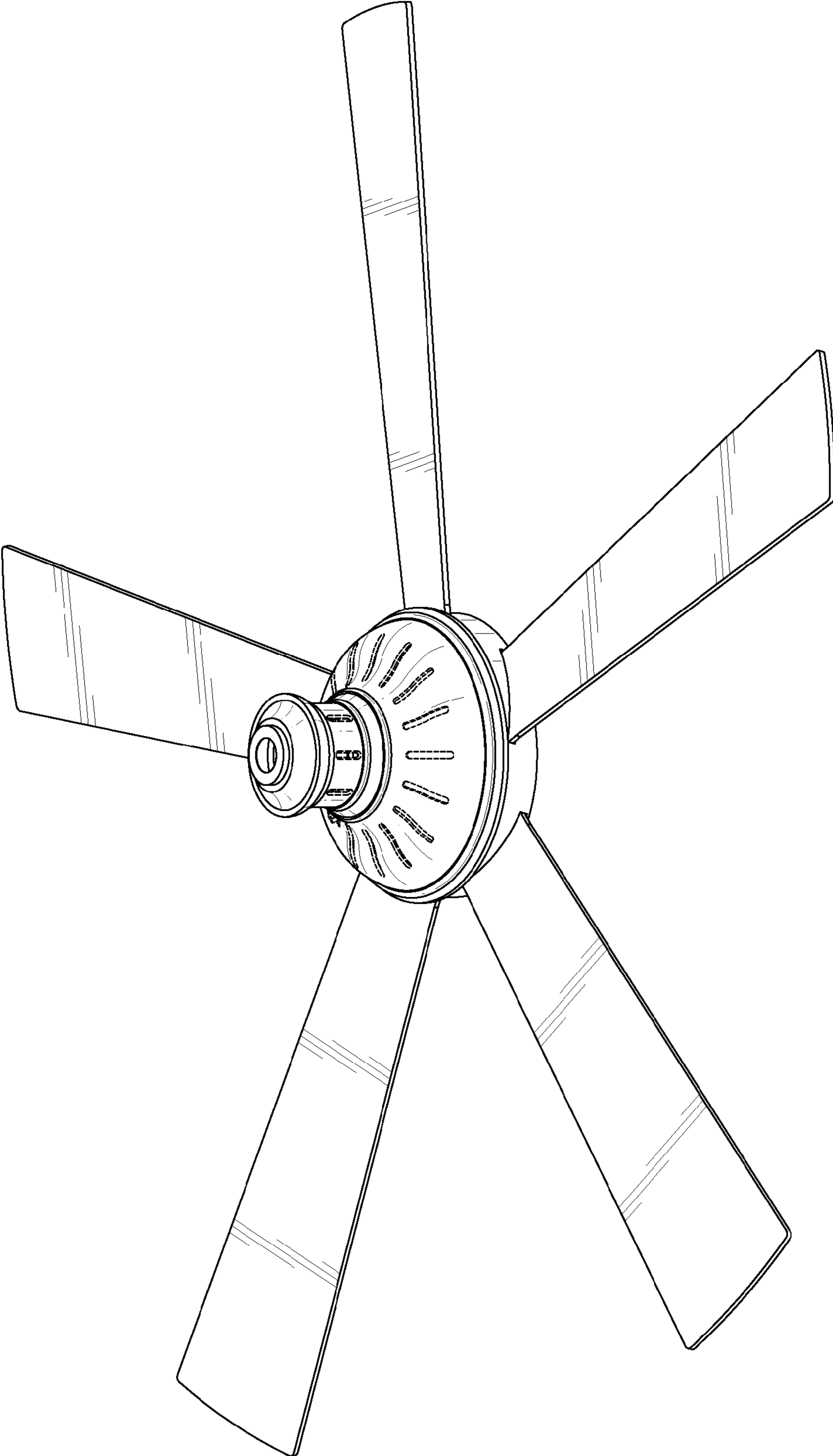


FIG. 1

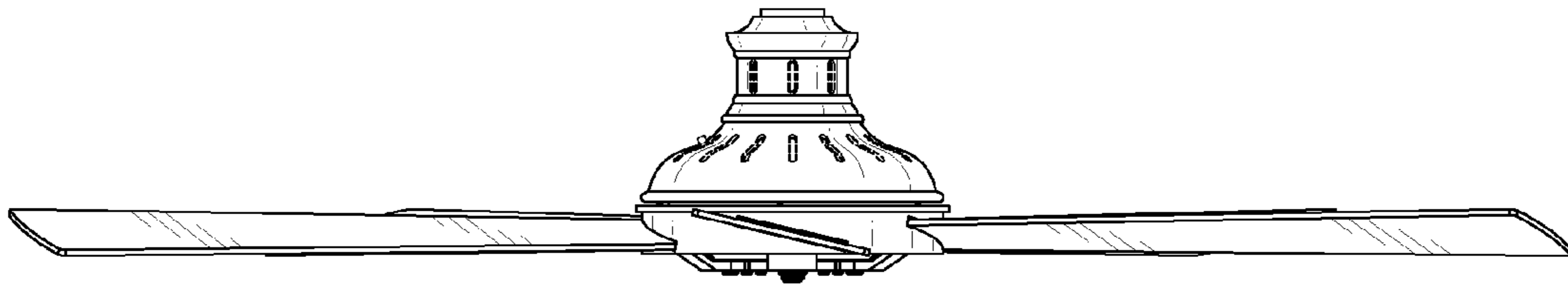


FIG. 2

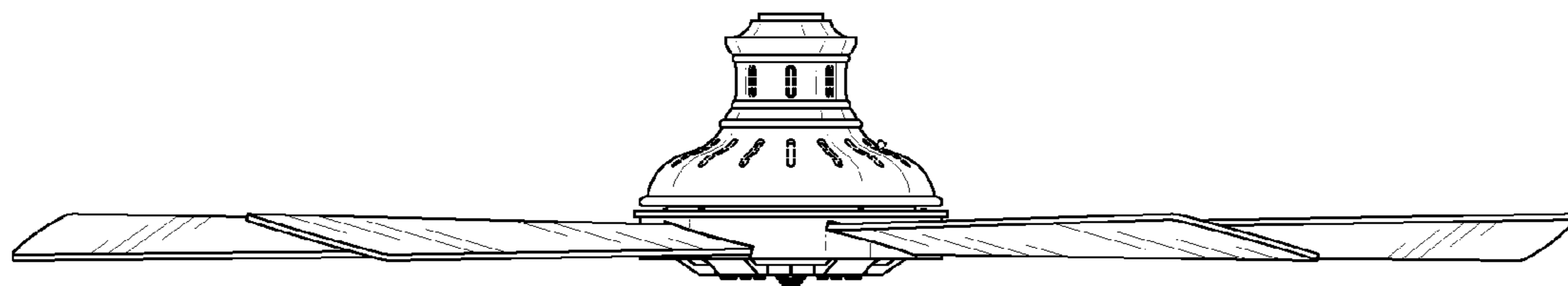


FIG. 3

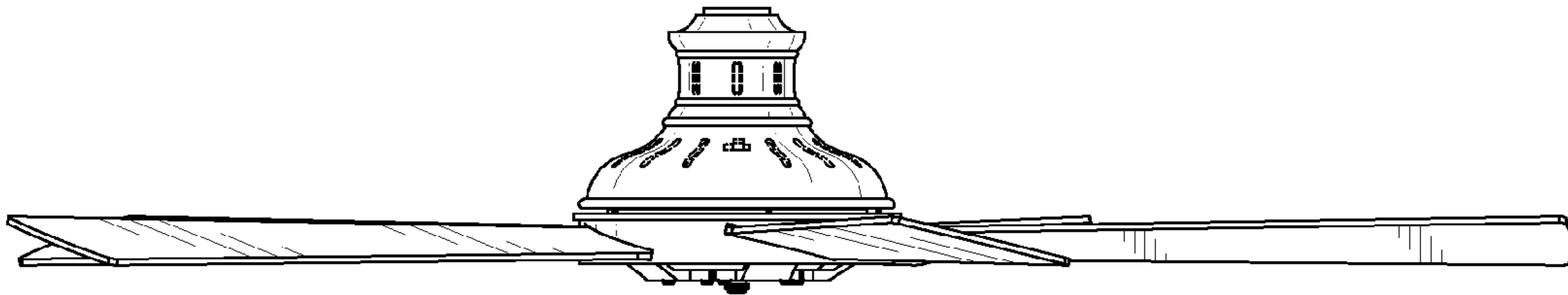


FIG. 4

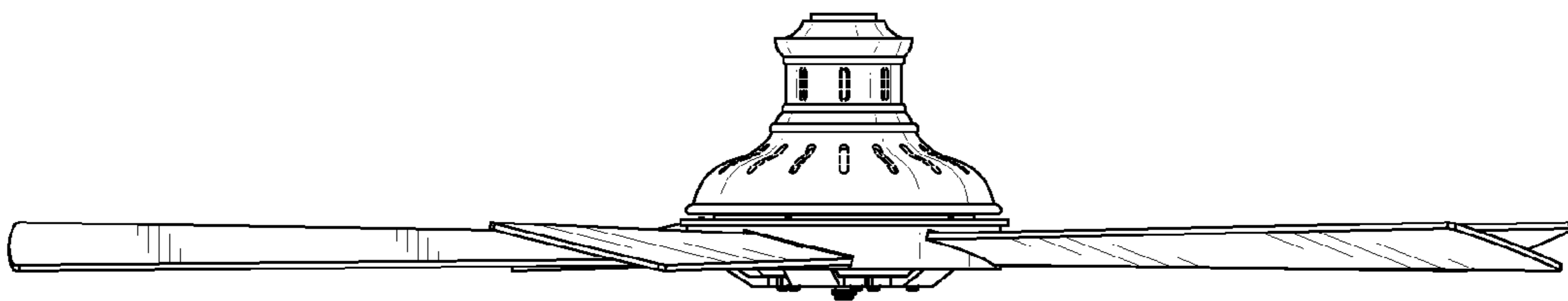


FIG. 5

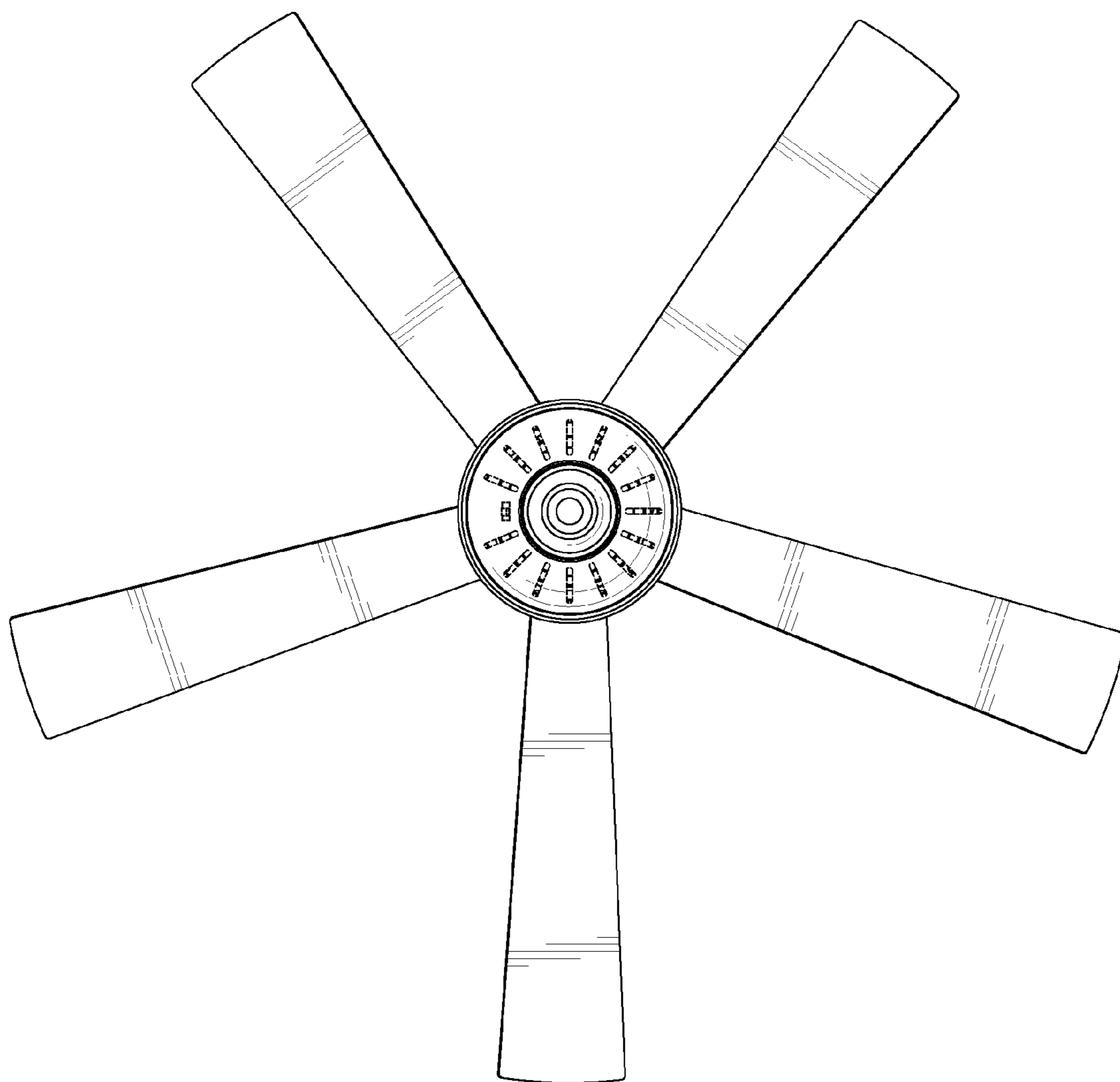


FIG. 6

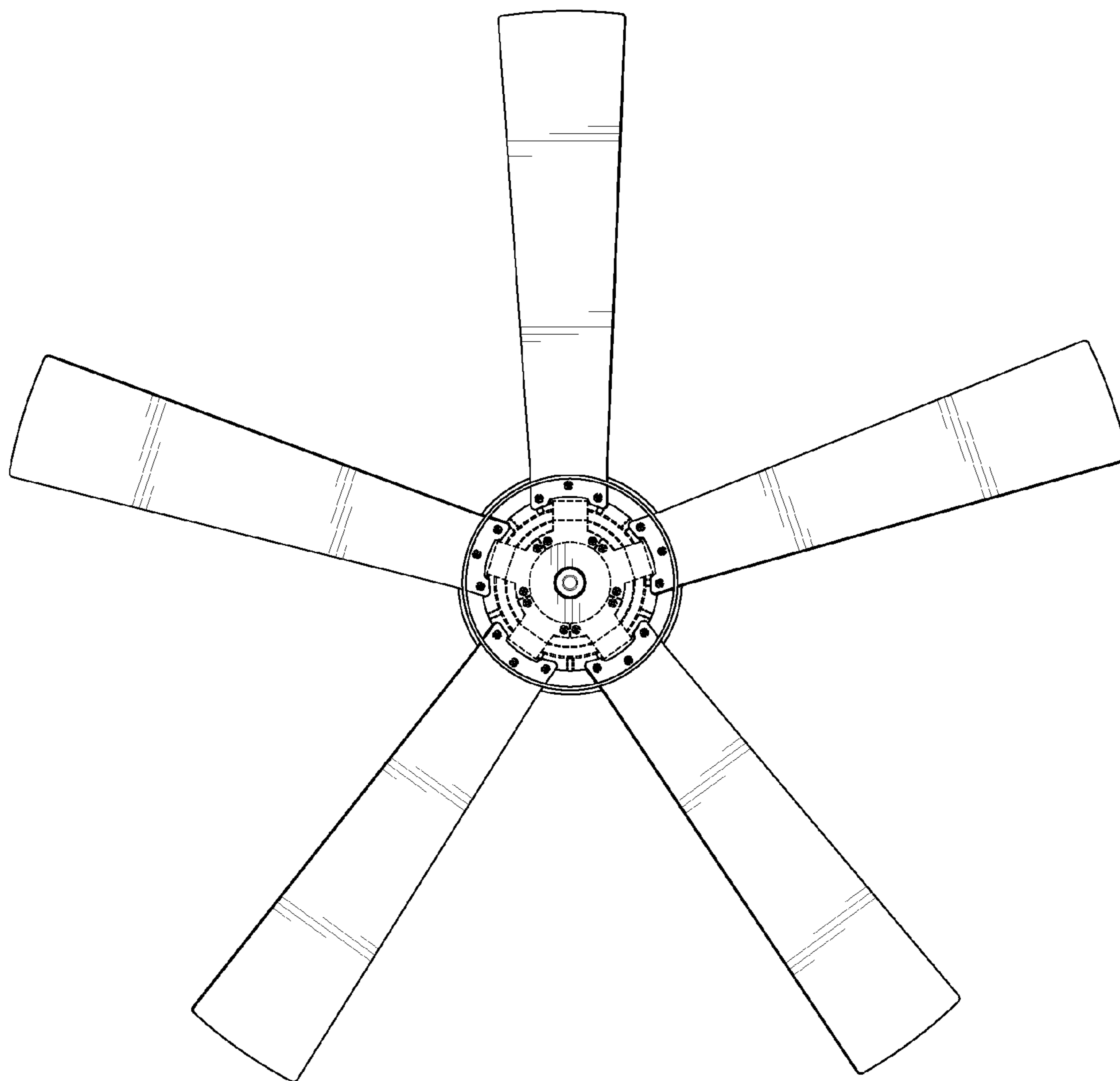


FIG. 7