



US00D627048S

(12) **United States Design Patent**  
**Shurtleff**

(10) **Patent No.:** **US D627,048 S**

(45) **Date of Patent:** **\*\* Nov. 9, 2010**

(54) **CEILING FAN MOTOR HOUSING, BLADE BRACKET AND LIGHT KIT**

D535,421 S \* 1/2007 Pickett ..... D26/59  
D613,890 S \* 4/2010 Chen ..... D26/59

(75) Inventor: **Mark L. Shurtleff**, Long Beach, CA (US)

\* cited by examiner

*Primary Examiner*—Lisa P Lichtenstein

(73) Assignee: **Landmark Enterprise Inc.**, Bandar Seri Begawan (BN)

(74) *Attorney, Agent, or Firm*—Ming Chow; Sinorica, LLC

(\*\*) Term: **14 Years**

(57) **CLAIM**

(21) Appl. No.: **29/358,348**

I claim the ornamental design for a ceiling fan motor housing, blade bracket and light kit as shown and described.

(22) Filed: **Mar. 25, 2010**

**DESCRIPTION**

(51) **LOC (9) Cl.** ..... **23-04**

FIG. 1 is a front perspective view of a ceiling fan motor housing, blade bracket and light kit showing my new design;

(52) **U.S. Cl.** ..... **D23/411**

FIG. 2 is a front elevational view thereof;

(58) **Field of Classification Search** ..... D23/377,

FIG. 3 is a rear elevational view thereof.

D23/379, 385, 411, 413; 416/5; D26/59,

FIG. 4 is a left side elevational view thereof;

D26/72, 81–86, 88, 51

FIG. 5 is a right side elevational view thereof;

See application file for complete search history.

FIG. 6 is a top plan view thereof; and,

(56) **References Cited**

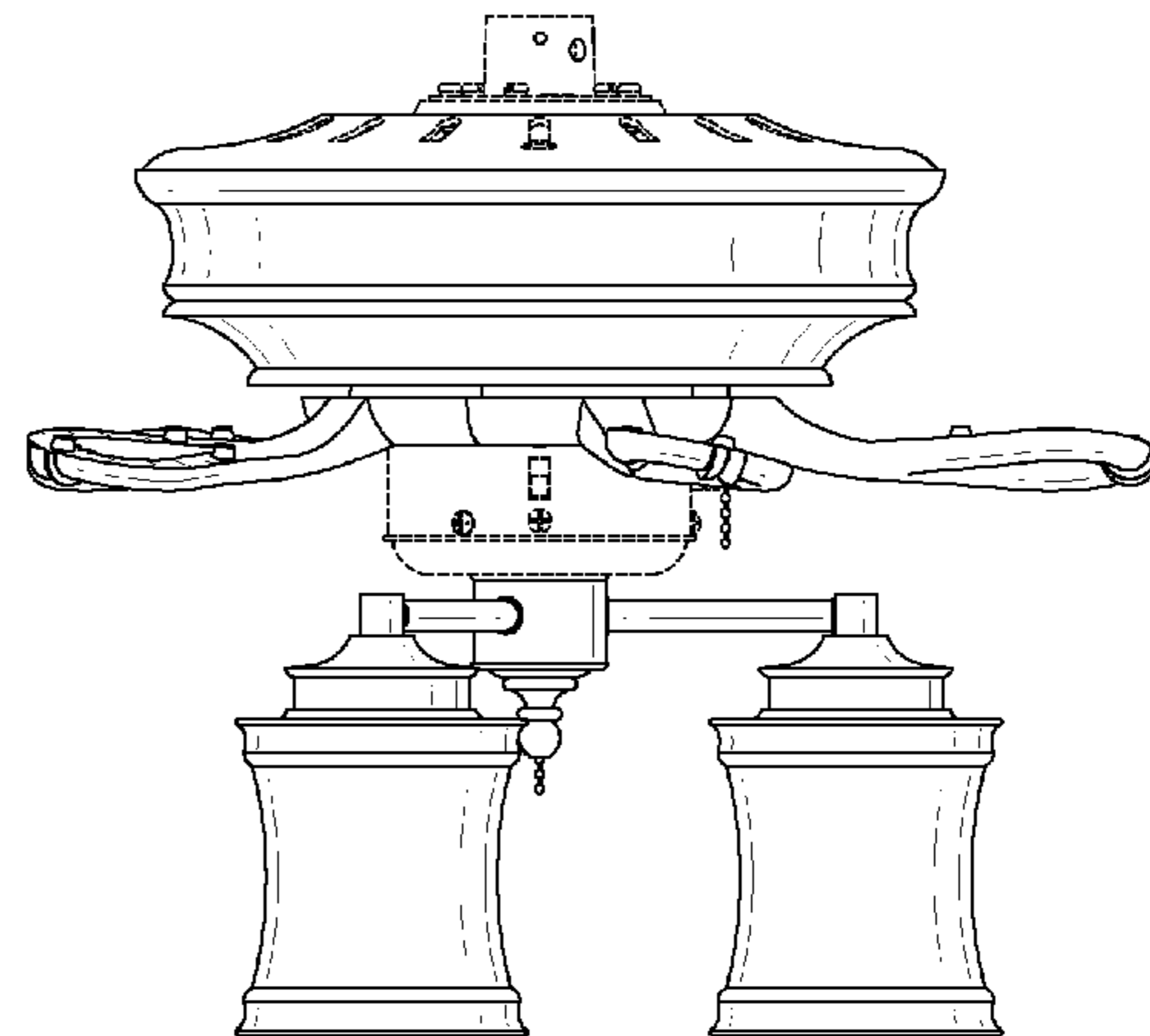
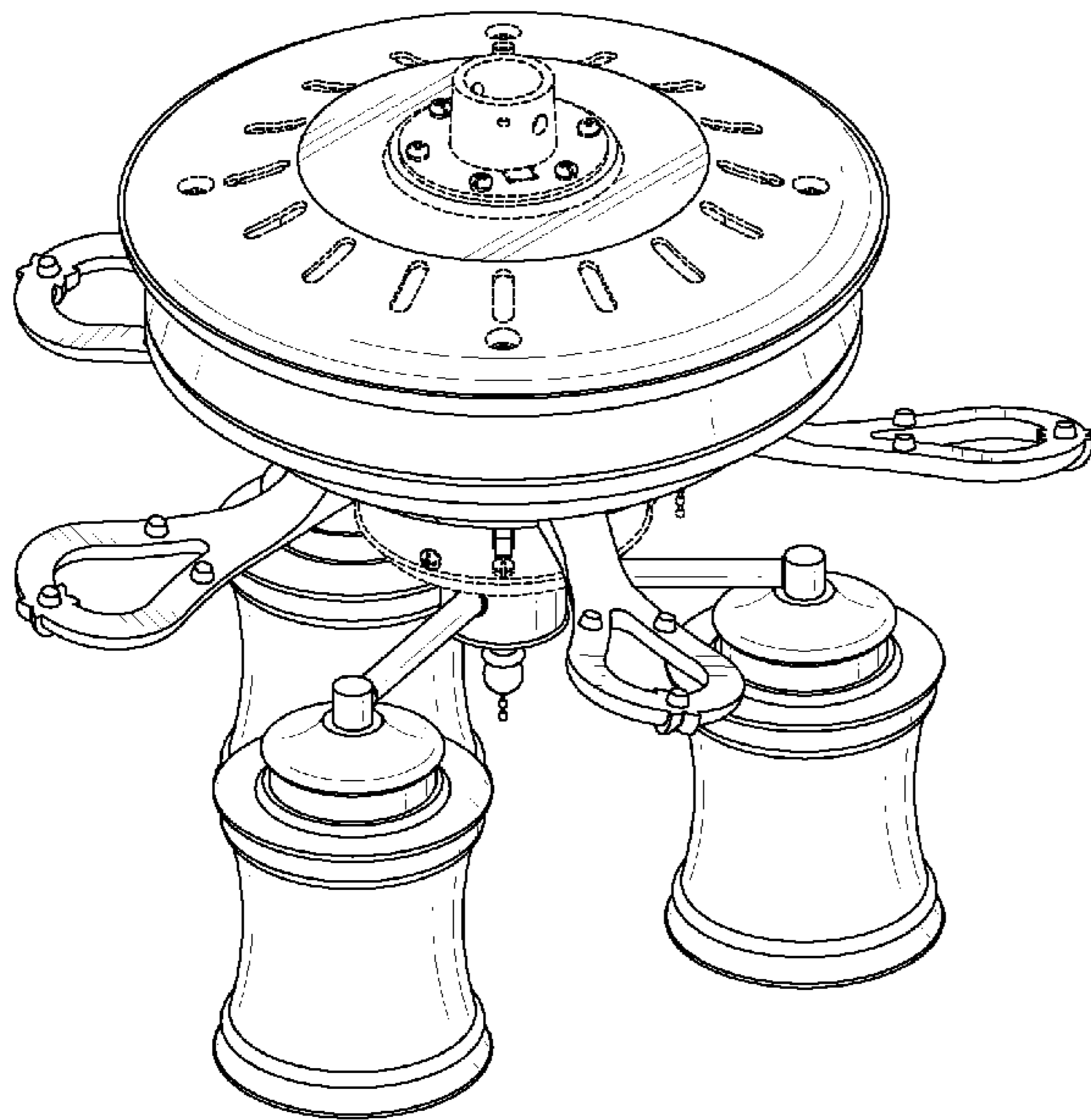
FIG. 7 is a bottom plan view thereof.

**U.S. PATENT DOCUMENTS**

The broken lines are for the purpose of illustrating environmental structure and form no part of the claimed design.

D396,532 S \* 7/1998 Tsuji ..... D23/411  
D416,616 S \* 11/1999 LaSpina ..... D23/377  
D450,831 S \* 11/2001 Hsieh ..... D23/377

**1 Claim, 5 Drawing Sheets**



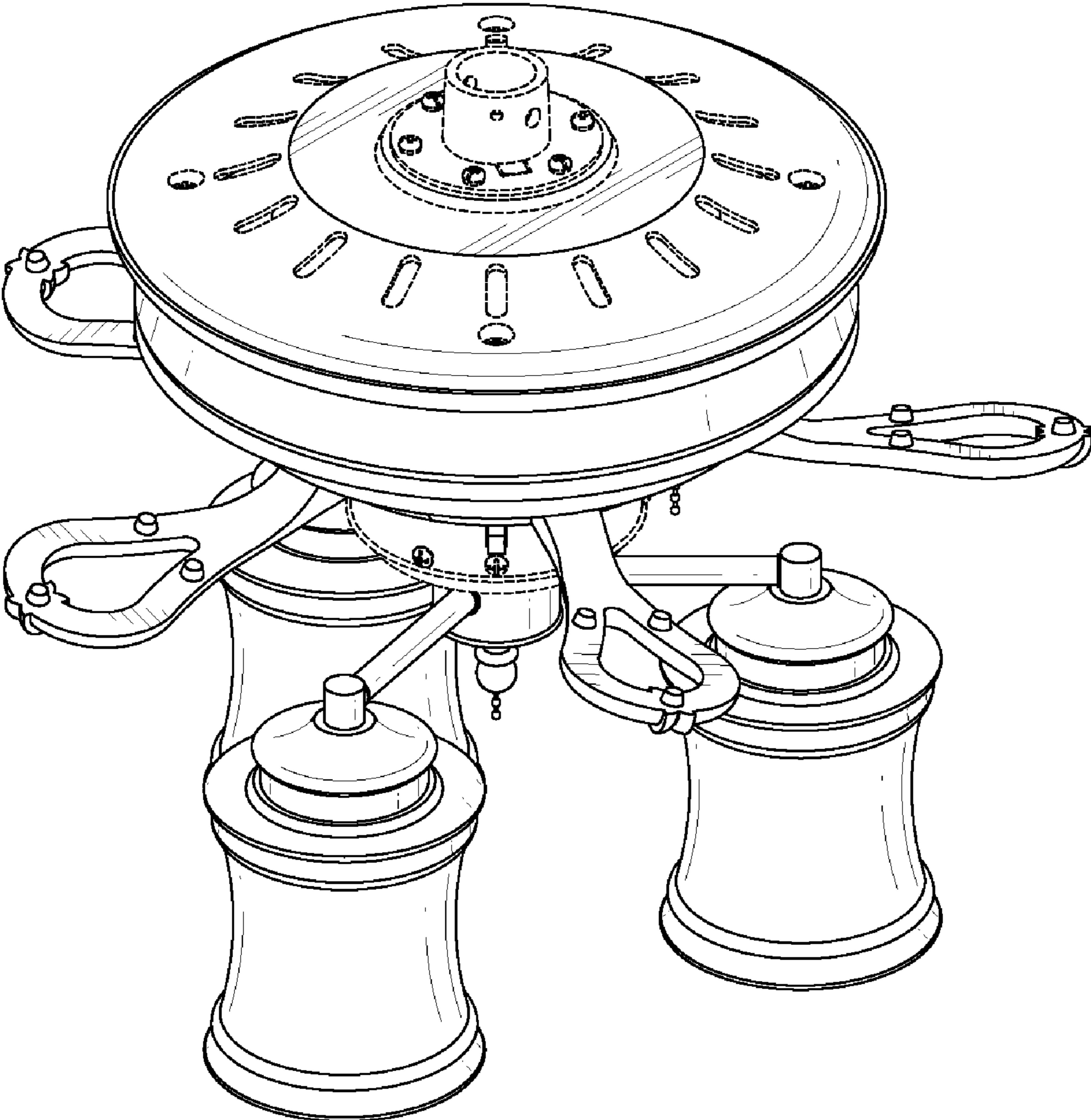


FIG. 1

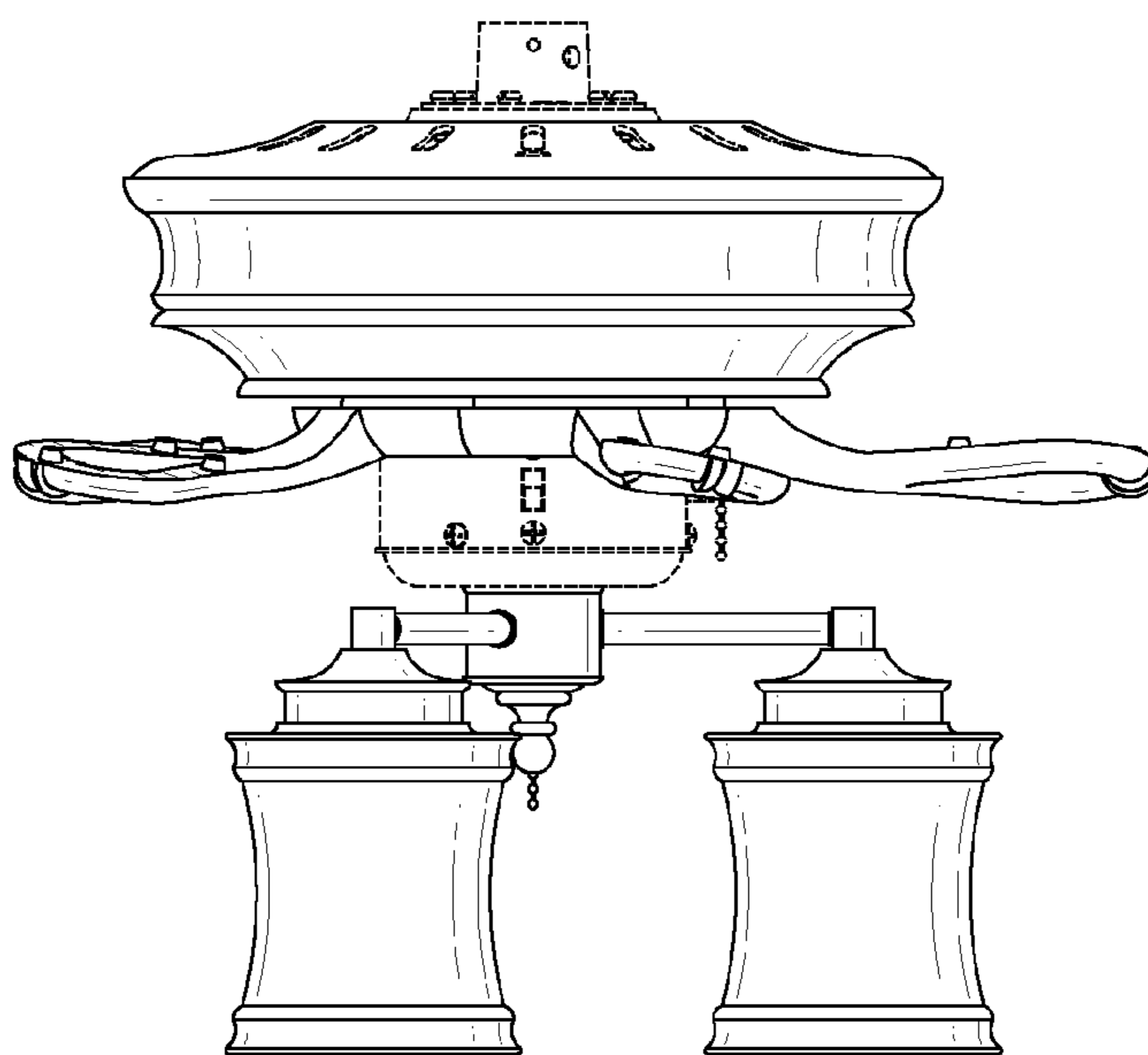


FIG. 2

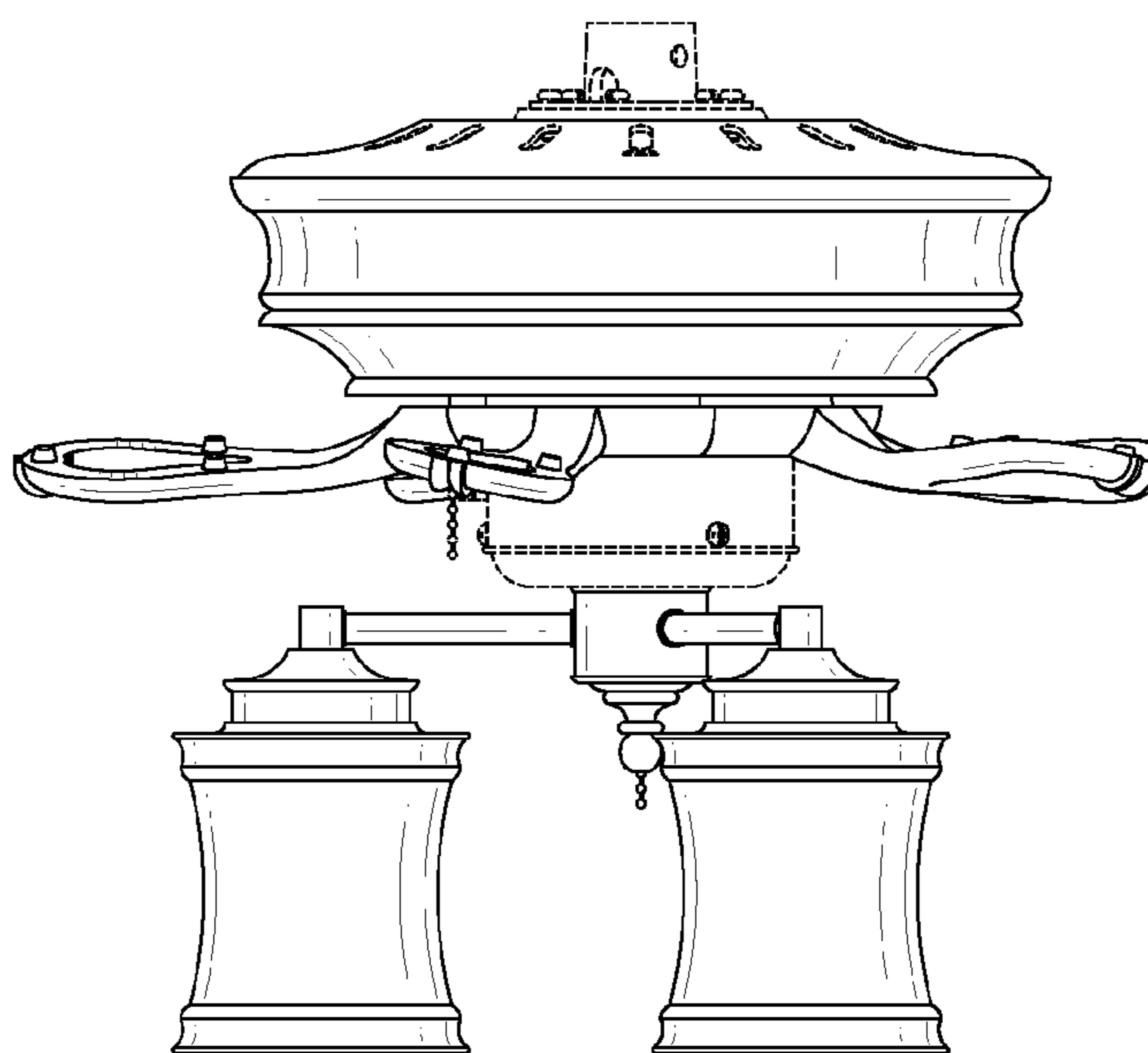


FIG. 3

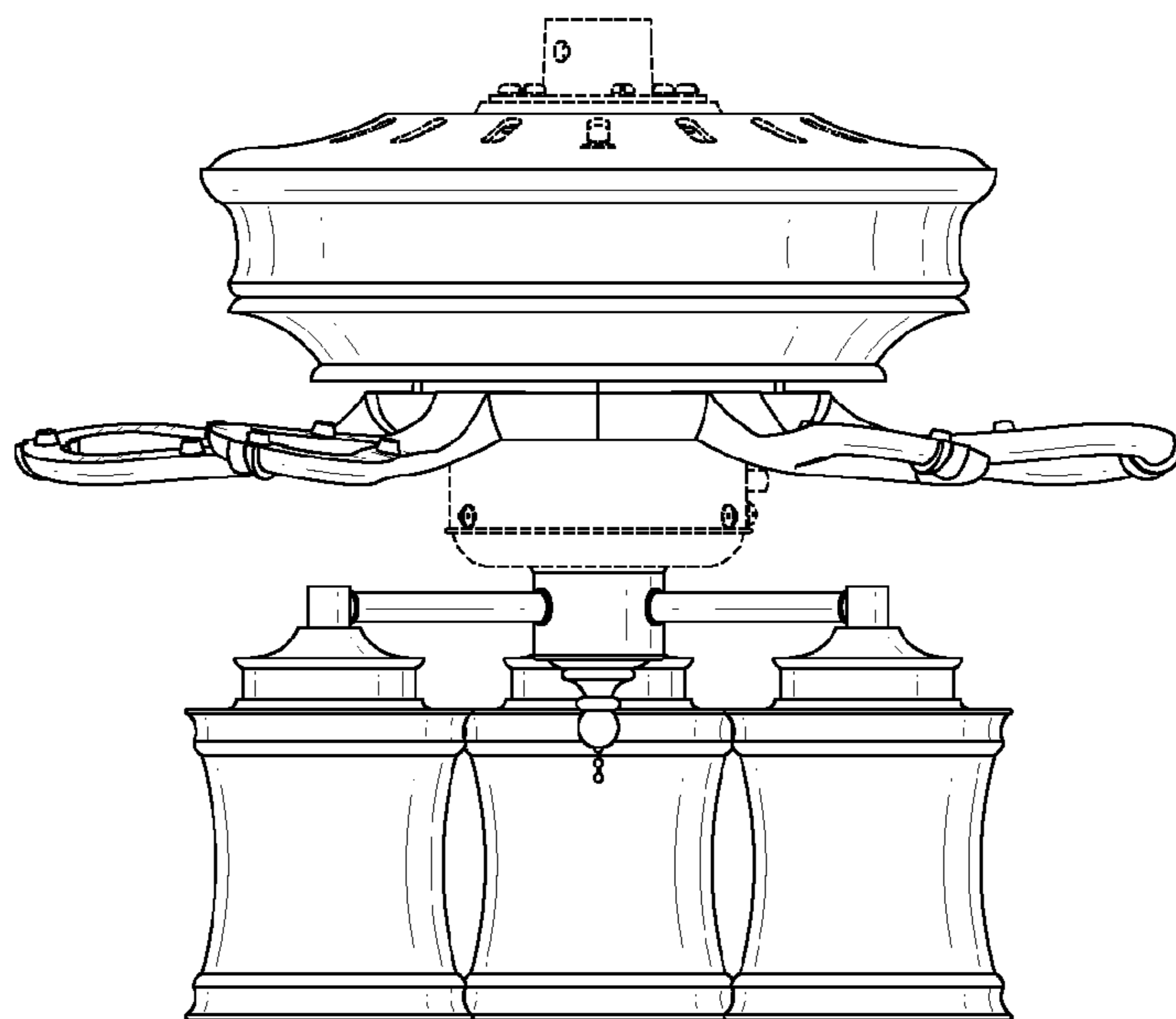


FIG. 4

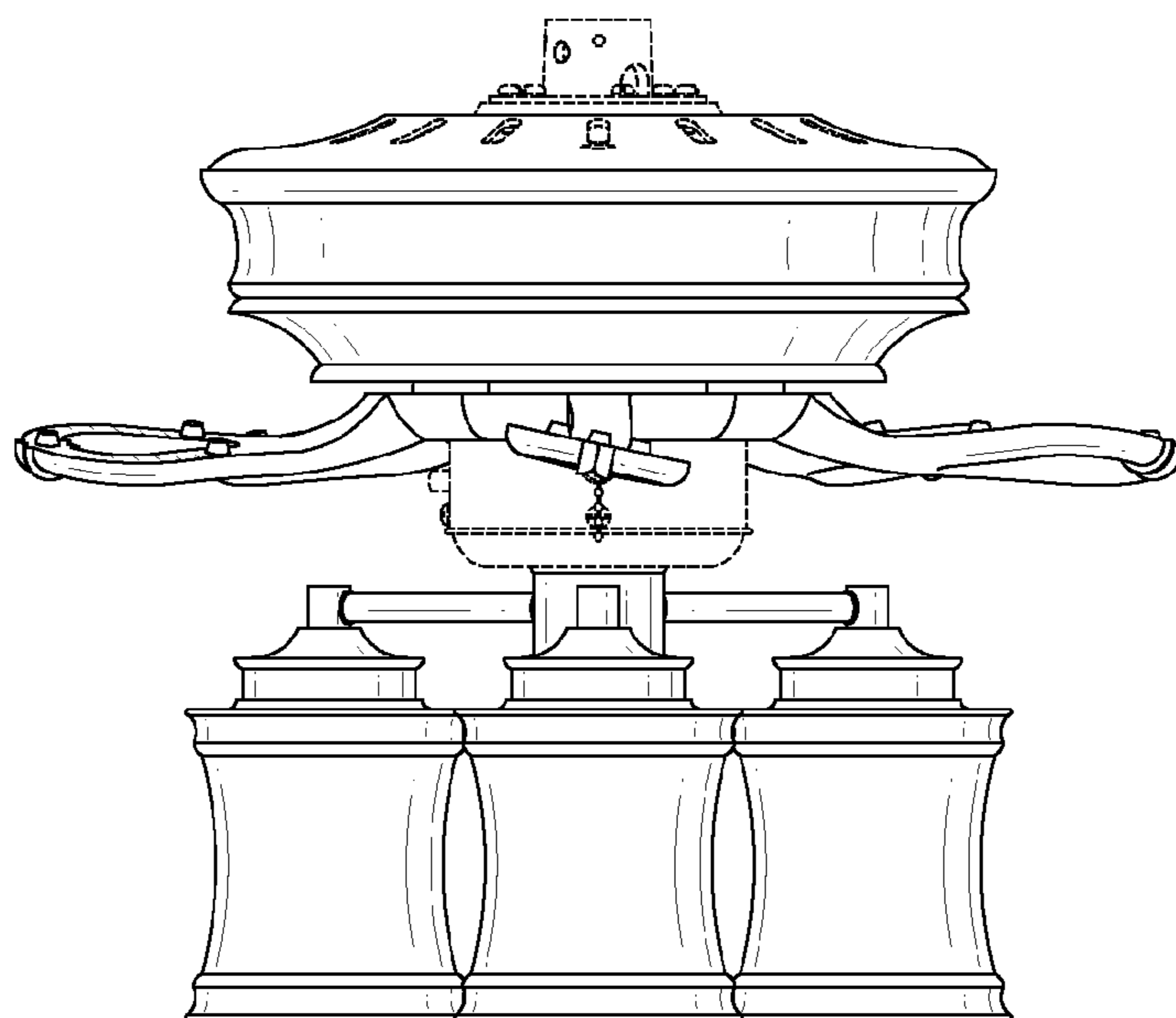


FIG. 5

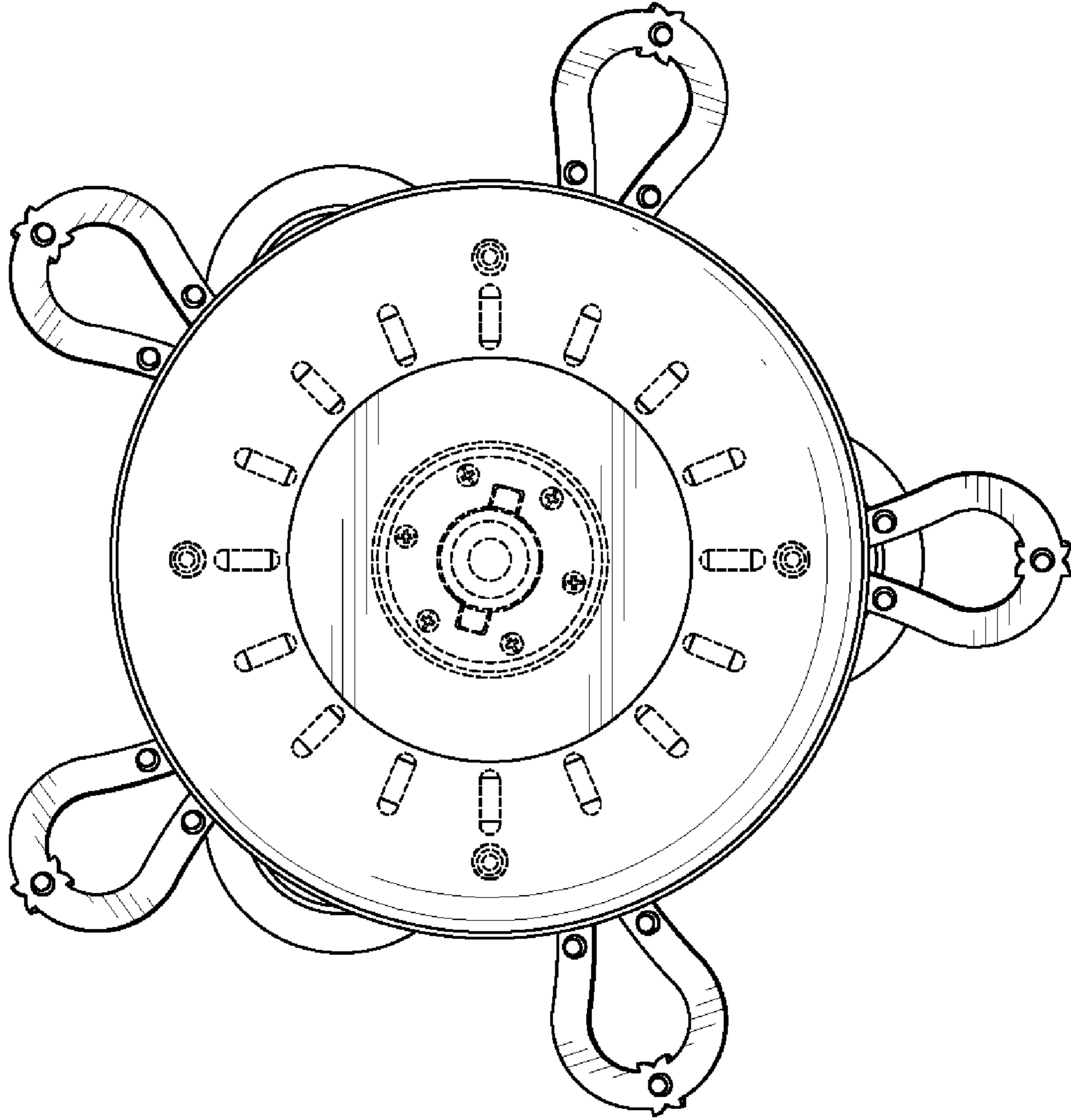


FIG. 6



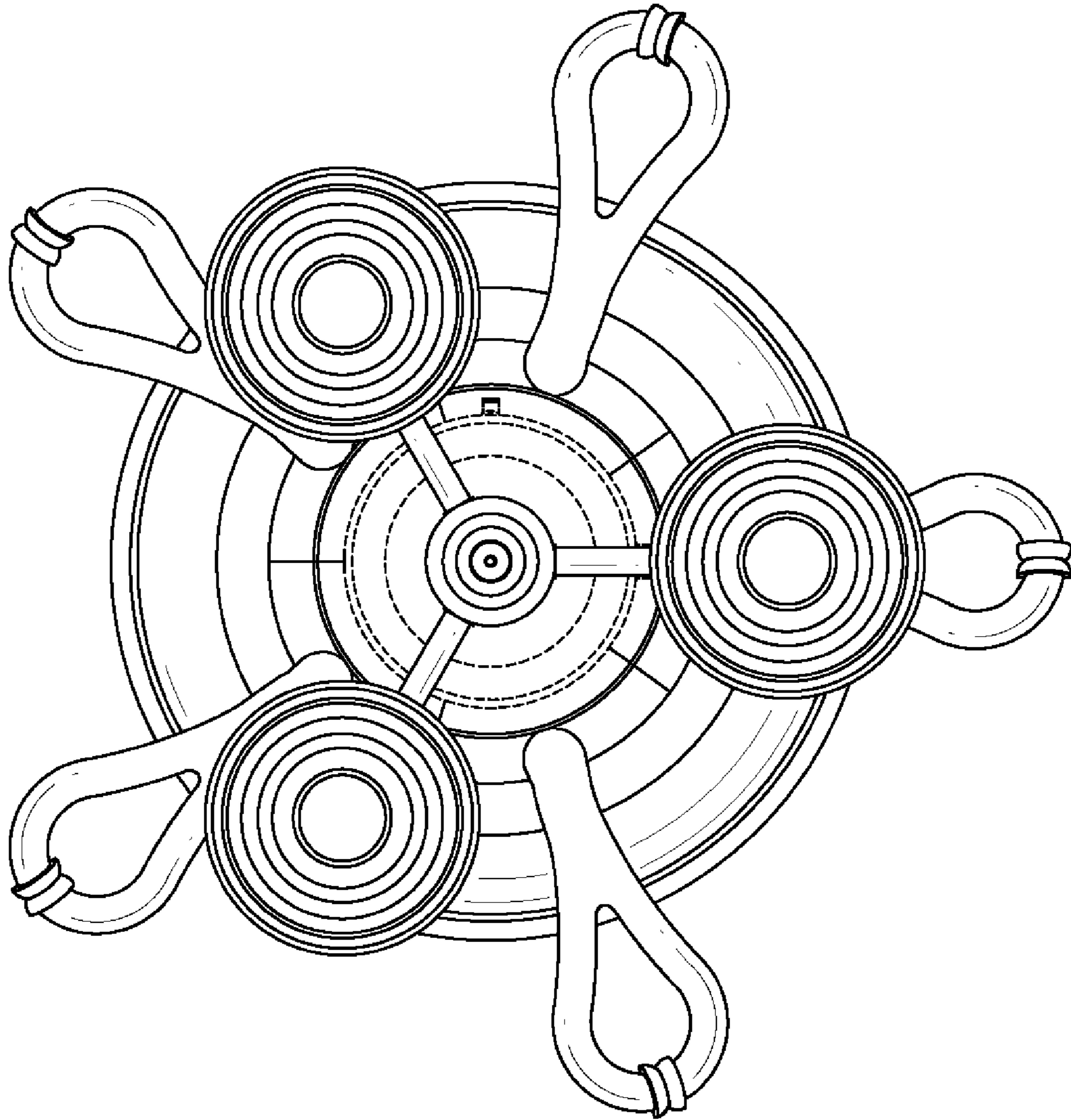


FIG. 7