



US00D627046S

(12) **United States Design Patent**
Wang

(10) **Patent No.:** **US D627,046 S**

(45) **Date of Patent:** **** Nov. 9, 2010**

(54) **COMBINED CEILING FAN AND LIGHT KIT**

(75) Inventor: **Cliff Wang**, Taichung (TW)

(73) Assignee: **Landmark Enterprise Inc.**, Bandar Seri Begawan (BN)

(**) Term: **14 Years**

(21) Appl. No.: **29/358,336**

(22) Filed: **Mar. 25, 2010**

(51) **LOC (9) Cl.** **23-04**

(52) **U.S. Cl.** **D23/377**

(58) **Field of Classification Search** D23/377,
D23/379, 385, 411, 413; 416/5; D26/59,
D26/51, 72, 81-86, 88

See application file for complete search history.

(56) **References Cited**

U.S. PATENT DOCUMENTS

D533,937 S * 12/2006 Pan D23/411
D562,967 S * 2/2008 Pickett D23/411

* cited by examiner

Primary Examiner—Lisa P Lichtenstein

(74) *Attorney, Agent, or Firm*—Ming Chow; Sinorica, LLC

(57) **CLAIM**

I claim the ornamental design for a combined ceiling fan and light kit, as shown and described.

DESCRIPTION

FIG. 1 is a front perspective view of a combined ceiling fan and light kit showing my new design;

FIG. 2 is a front elevational view thereof;

FIG. 3 is a rear elevational view thereof.

FIG. 4 is a left side elevational view thereof;

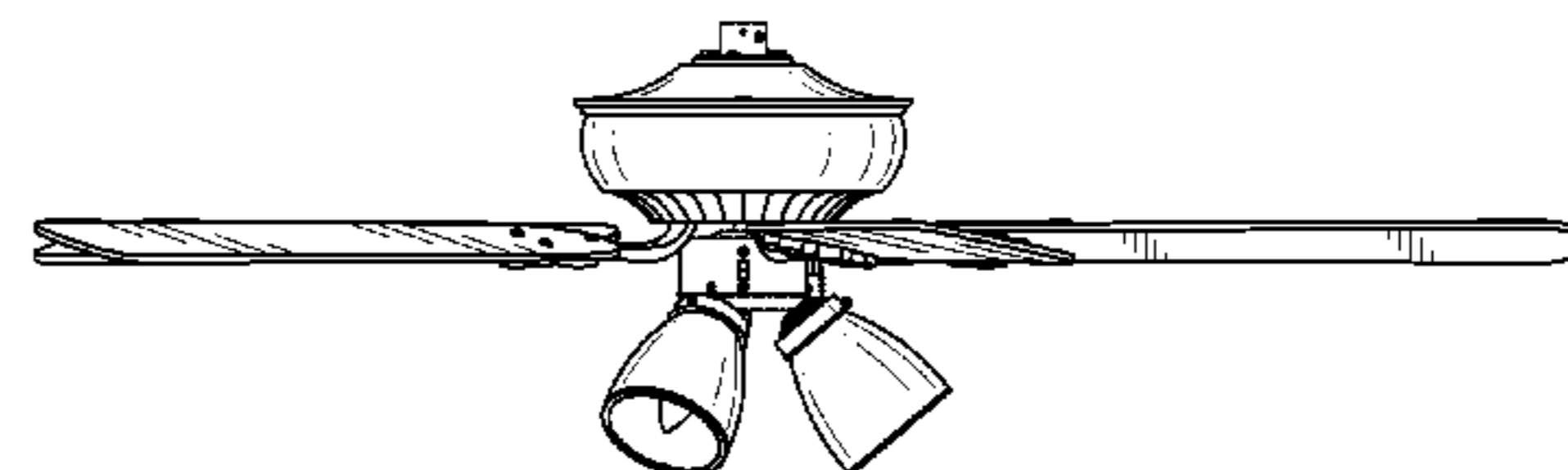
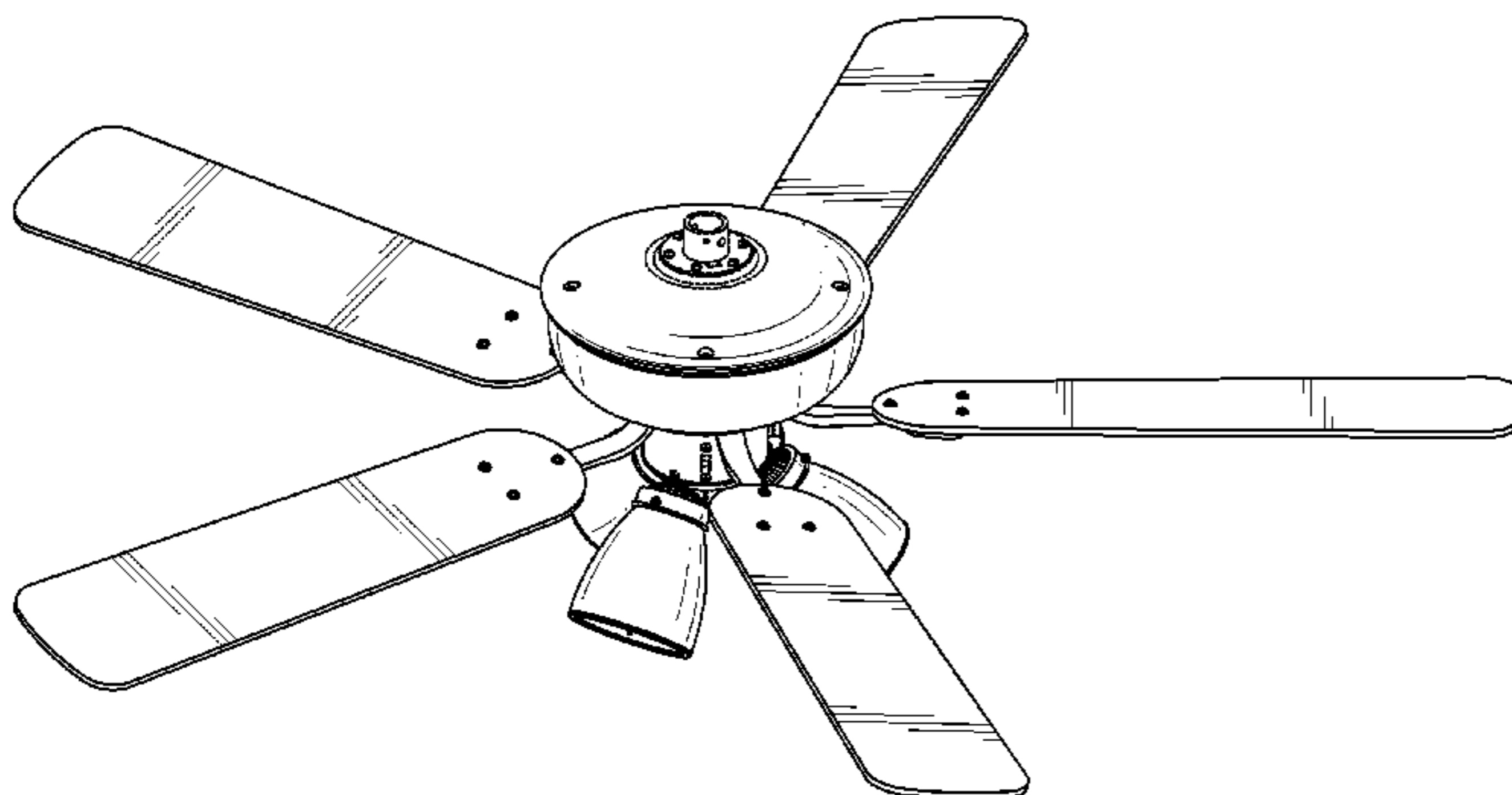
FIG. 5 is a right side elevational view thereof;

FIG. 6 is a top plan view thereof; and,

FIG. 7 is a bottom plan view thereof.

The broken line showing of portions of the combined ceiling fan and light kit is included for the purpose of illustrating environmental structure and forms no part of the claimed design.

1 Claim, 5 Drawing Sheets



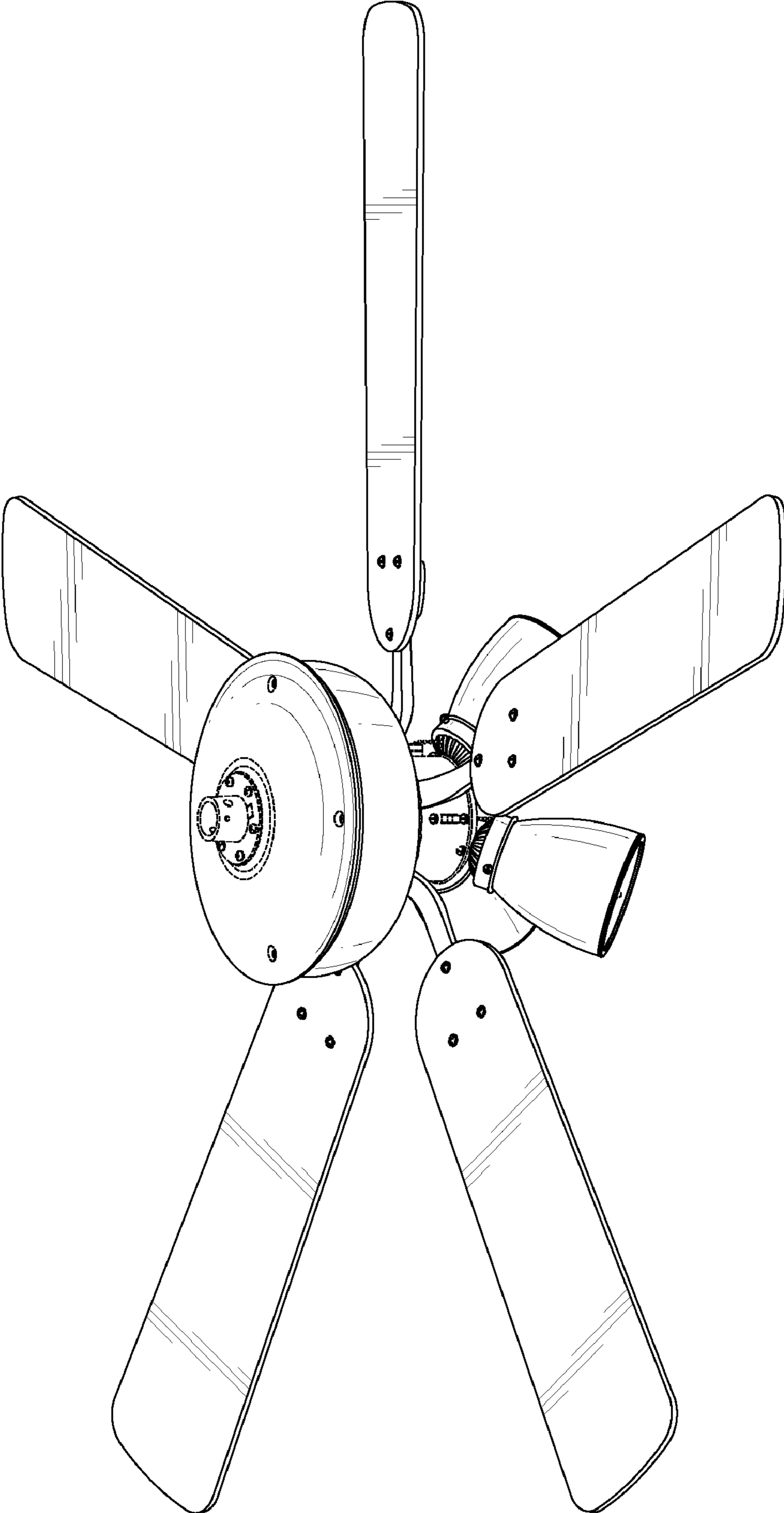


FIG. 1

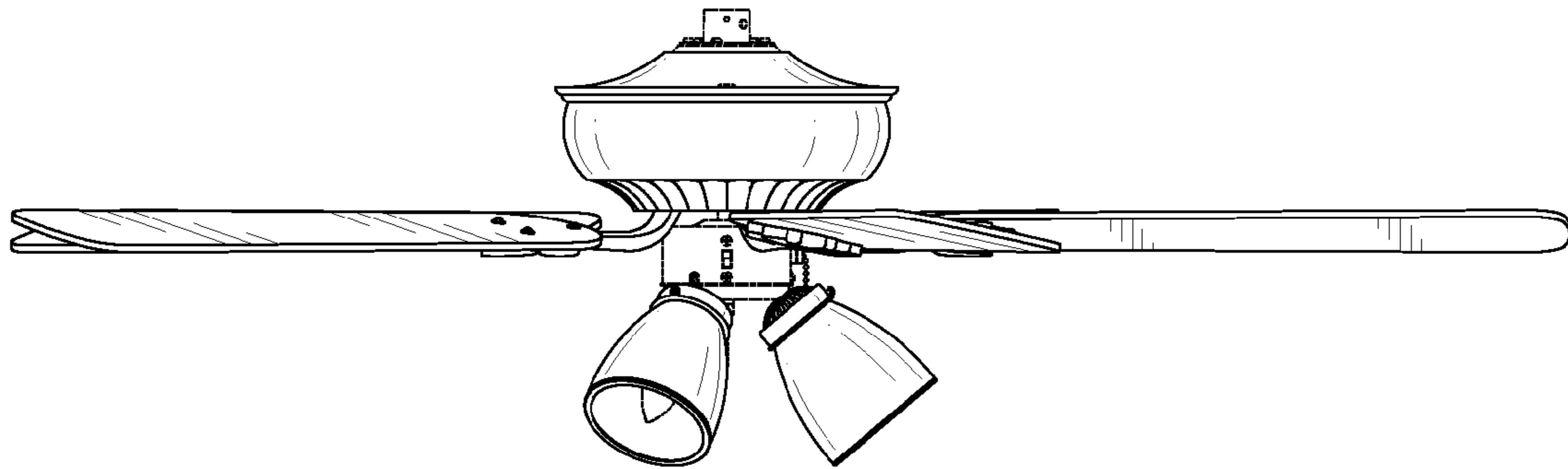


FIG. 2

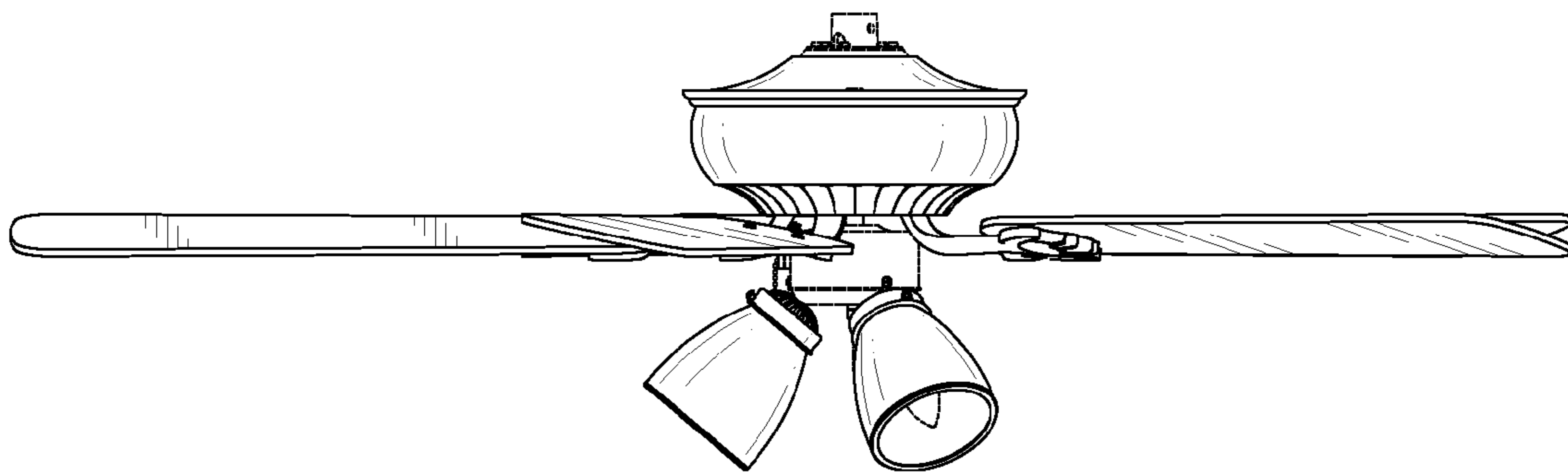


FIG. 3

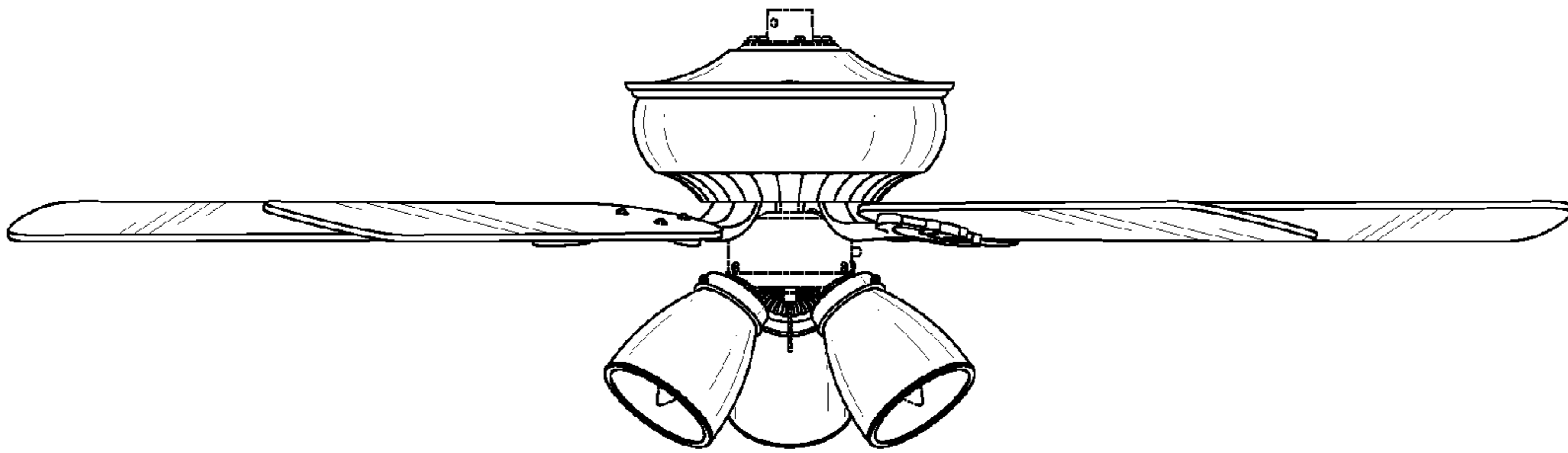


FIG. 4

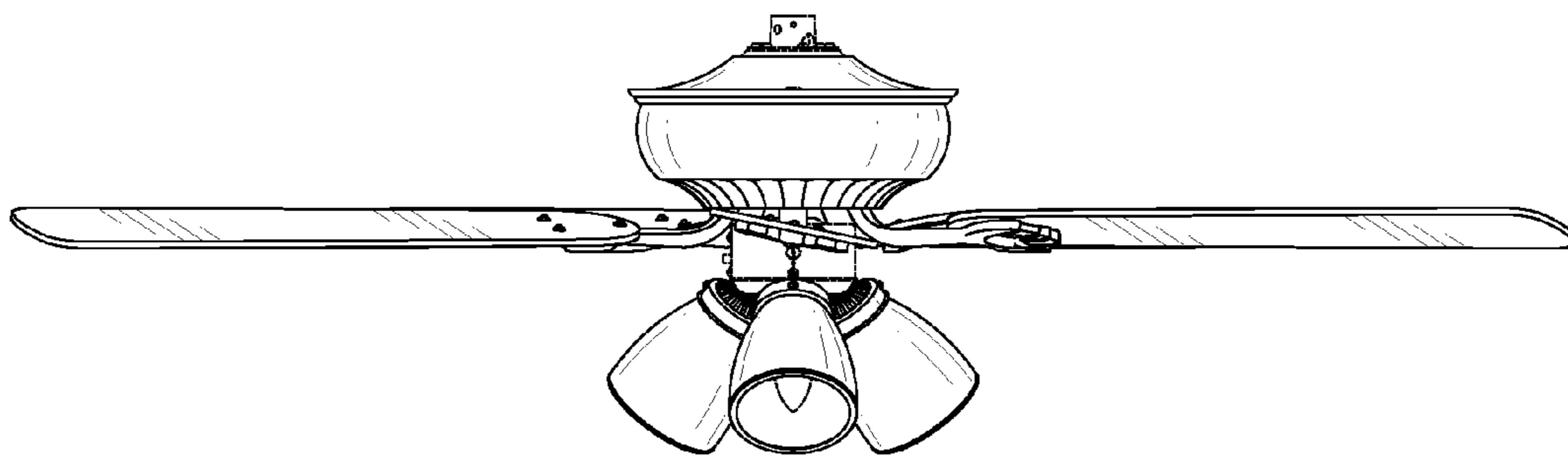


FIG. 5

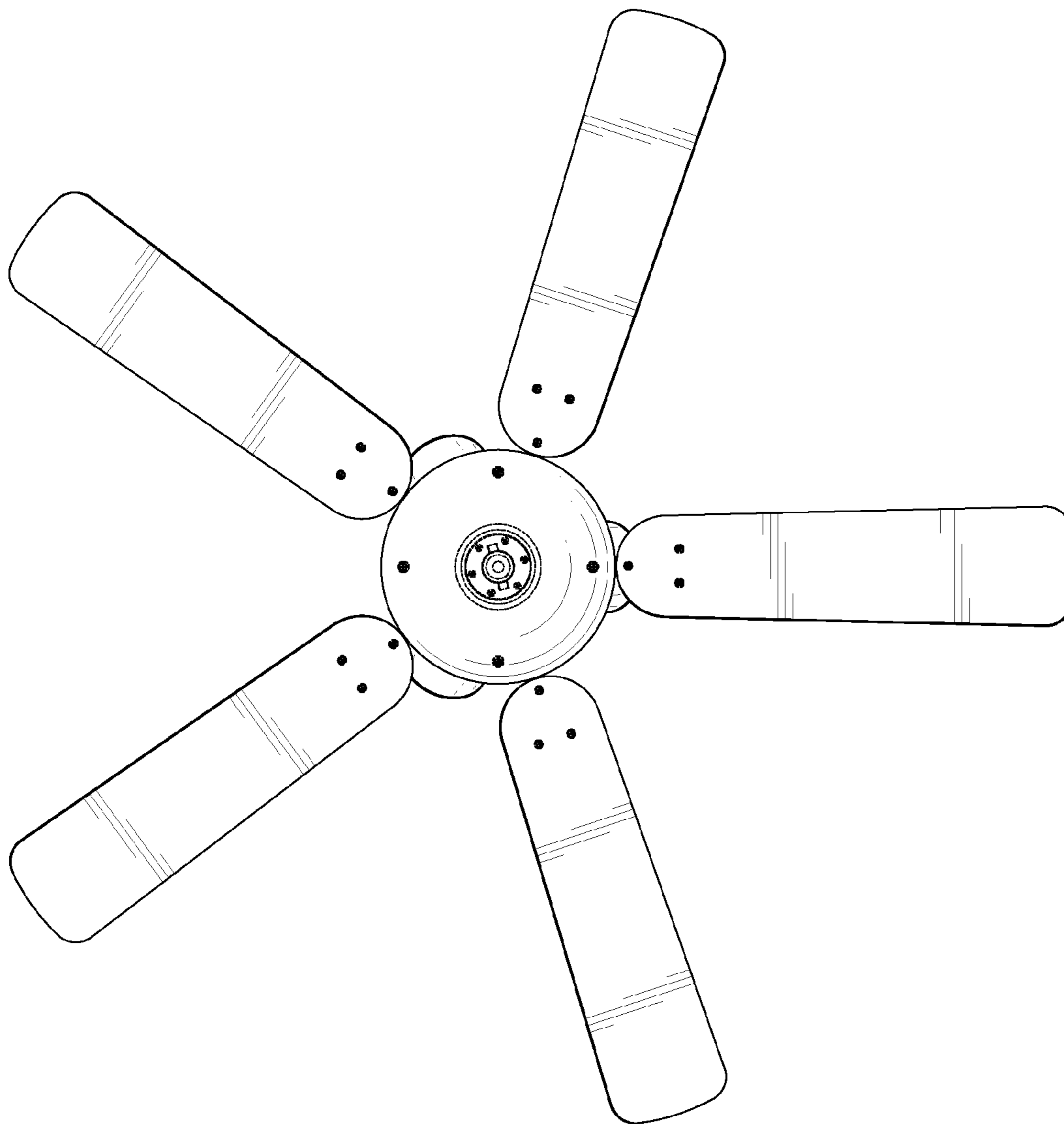


FIG. 6

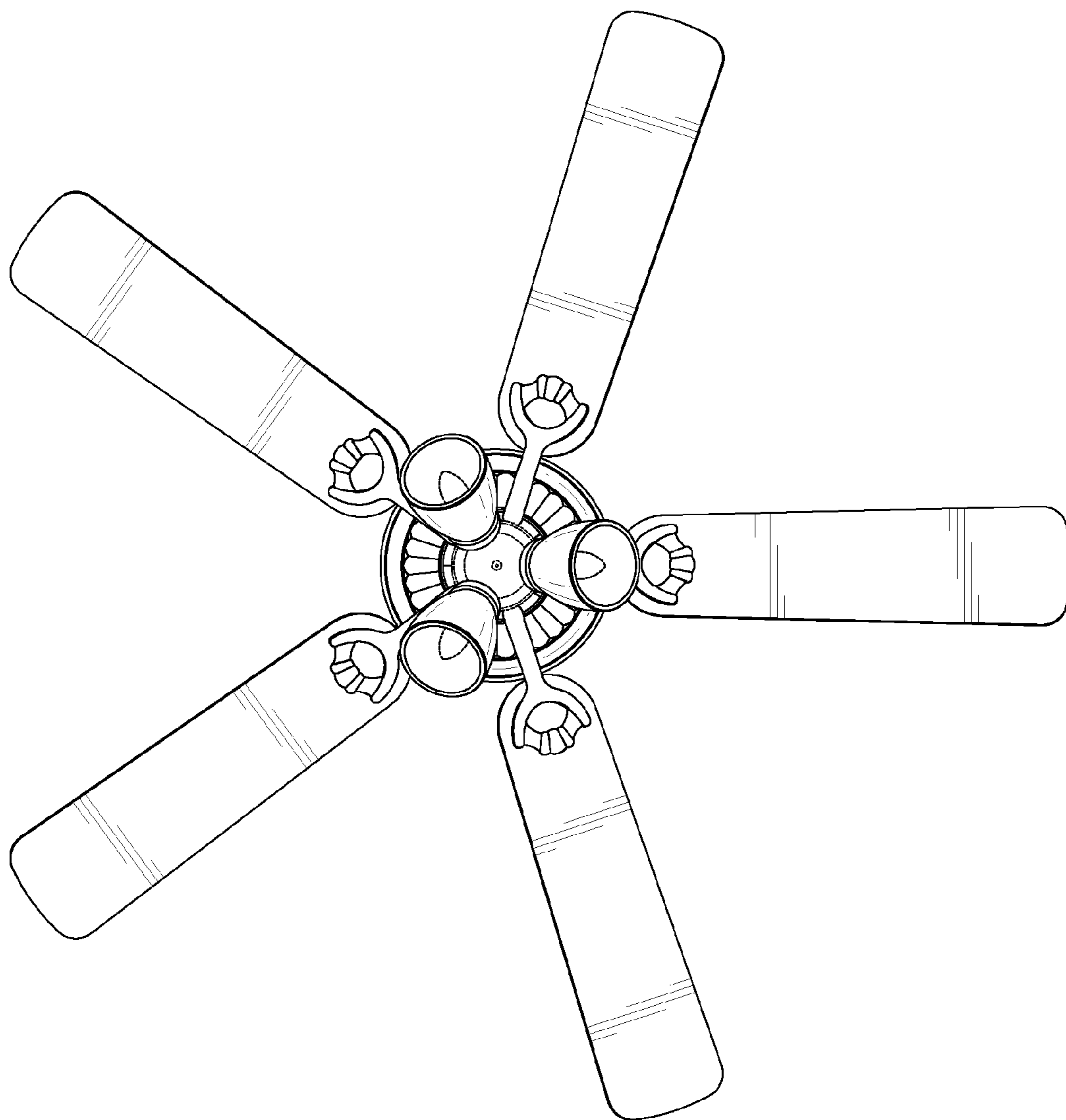


FIG. 7