

US00D627044S

(12) **United States Design Patent**
Virr et al.

(10) **Patent No.:** **US D627,044 S**
(45) **Date of Patent:** **** Nov. 9, 2010**

(54) **HUMIDIFIER TUB FOR HUMIDIFIER FOR POSITIVE AIRWAY PRESSURE DELIVERY DEVICE**

(75) Inventors: **Alexander Virr**, Balmain (AU); **Mark Bertinetti**, Ermington (AU); **Dan Kao**, Chatswood (AU)

(73) Assignee: **ResMed Limited**, Bella Vista (AU)

(**) Term: **14 Years**

(21) Appl. No.: **29/311,388**

(22) Filed: **Mar. 5, 2009**

(51) **LOC (9) Cl.** **23-04**

(52) **U.S. Cl.** **D23/356; D24/110**

(58) **Field of Classification Search** D23/355-366, D23/352, 369, 332, 333, 335, 336, 342, 351; D24/110, 164; 128/200.24, 200.23, 200.22, 128/200.16, 200.14, 203.16, 203.17, 204.18, 128/204.23; 422/120, 122; 55/356, 473, 55/504; 96/97; D14/188, 170, 172; 261/DIG. 17, 261/DIG. 65, DIG. 88, DIG. 31; D32/31; D15/5

See application file for complete search history.

(56) **References Cited**

U.S. PATENT DOCUMENTS

- D305,562 S * 1/1990 Martinez D23/356
- D374,479 S * 10/1996 Bucher et al. D23/356
- D377,212 S * 1/1997 Moore D23/360
- D419,658 S * 1/2000 Matchett et al. D23/356
- D427,675 S * 7/2000 Hansel D24/110
- D468,011 S * 12/2002 Lithgow et al. D24/110

- D517,672 S * 3/2006 Schmitt et al. D23/365
- D553,228 S * 10/2007 Virr et al. D23/358
- D557,407 S * 12/2007 Lithgow et al. D24/110
- D585,459 S * 1/2009 Jing D15/5
- D585,540 S * 1/2009 Lithgow et al. D24/110
- D593,190 S * 5/2009 Glass D23/365
- D612,480 S * 3/2010 Cork et al. D24/110

* cited by examiner

Primary Examiner—T. Chase Nelson
Assistant Examiner—David G Muller

(74) *Attorney, Agent, or Firm*—Nixon & Vanderhye P.C.

(57) **CLAIM**

The ornamental design for a humidifier tub for a humidifier for a positive airway pressure delivery device, as shown and described.

DESCRIPTION

FIG. 1 is a perspective view of a humidifier tub for a humidifier for a positive airway pressure delivery device according to our new ornamental design;

FIG. 2 is a front view thereof;

FIG. 3 is a rear view thereof;

FIG. 4 is a top view thereof;

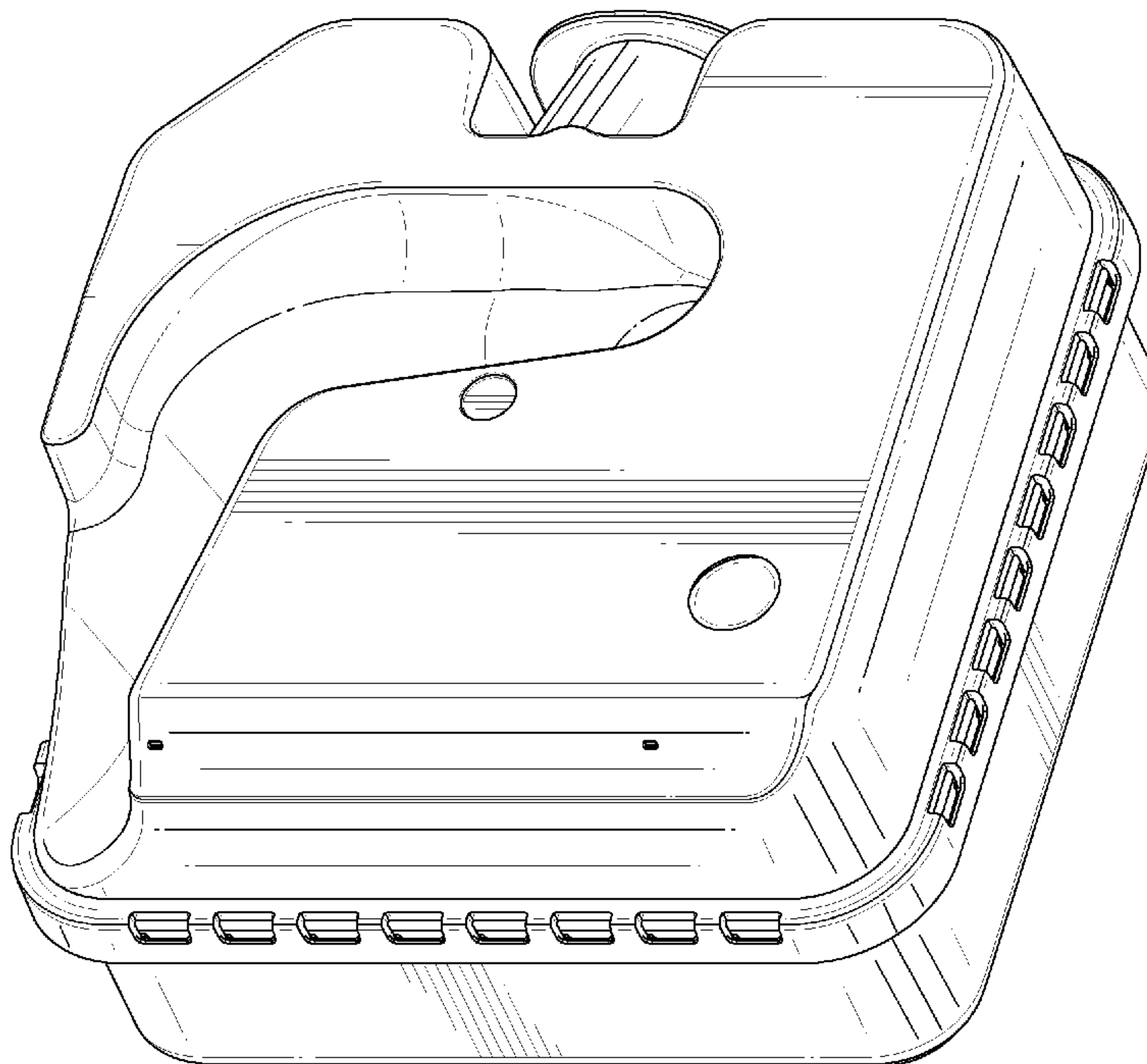
FIG. 5 is a bottom view thereof;

FIG. 6 is a left side view thereof; and,

FIG. 7 is a right side view thereof.

The broken lines of the humidifier tub represent environment or structure and do not form a part of the claimed design.

1 Claim, 5 Drawing Sheets



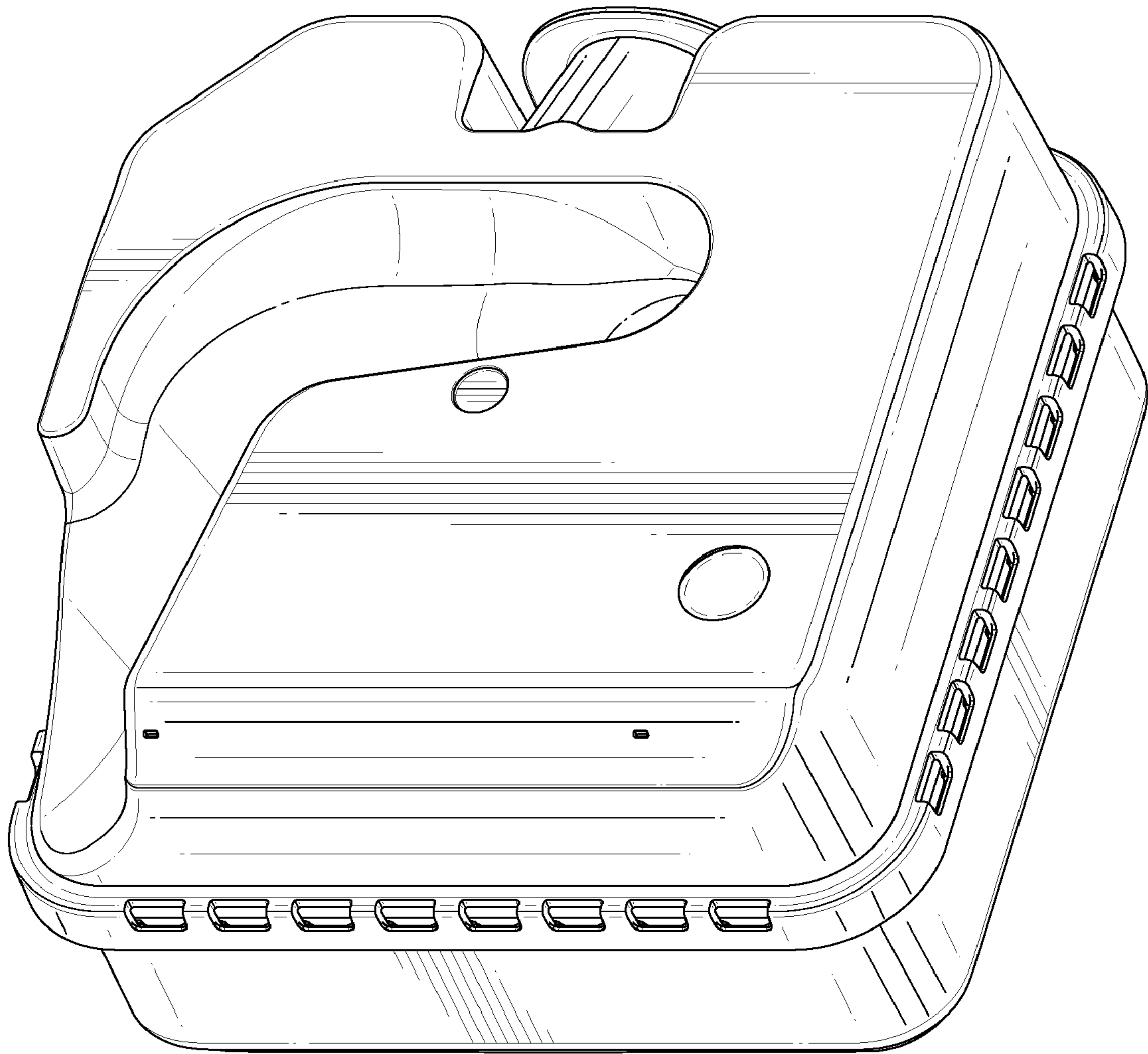


Figure 1

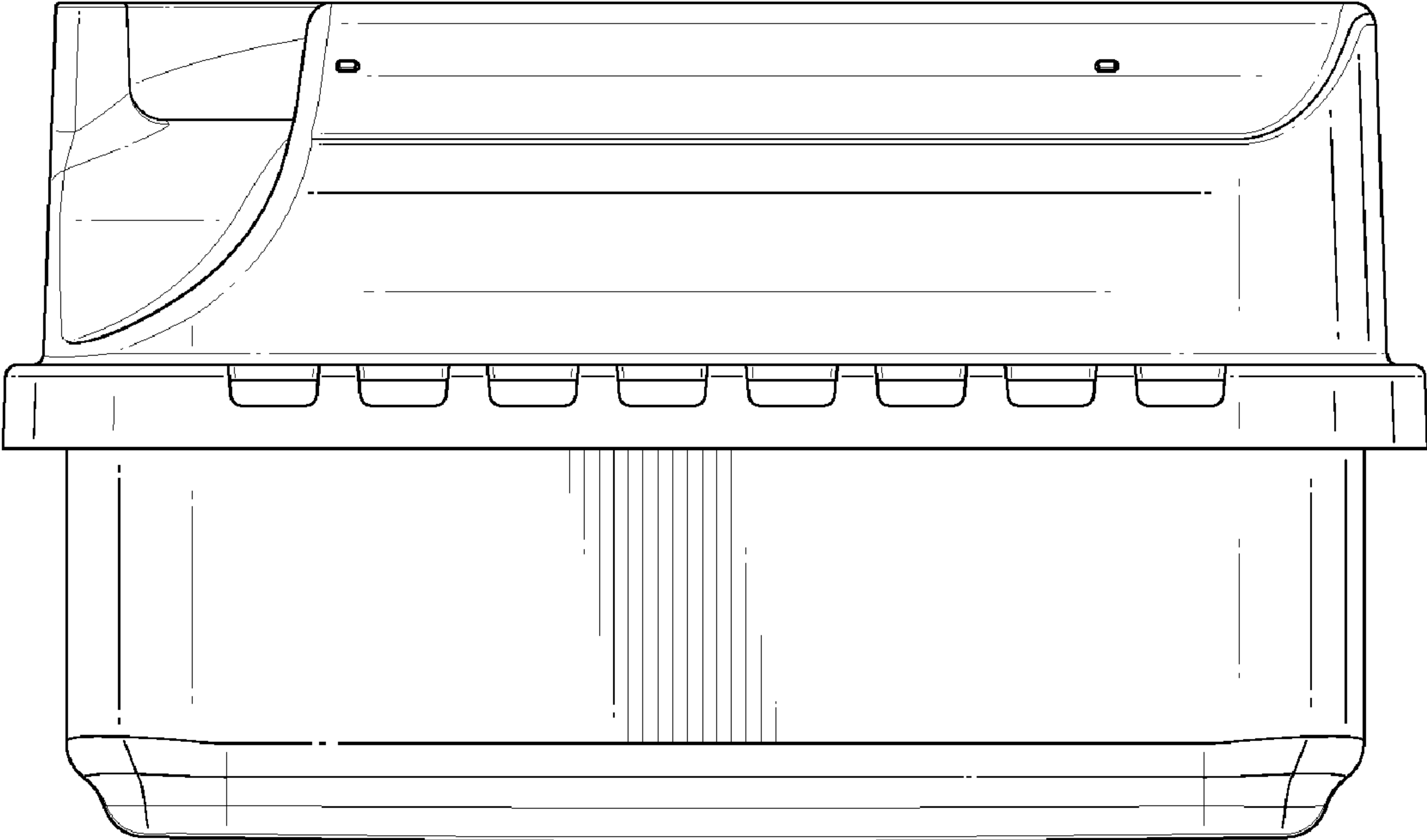


Figure 2

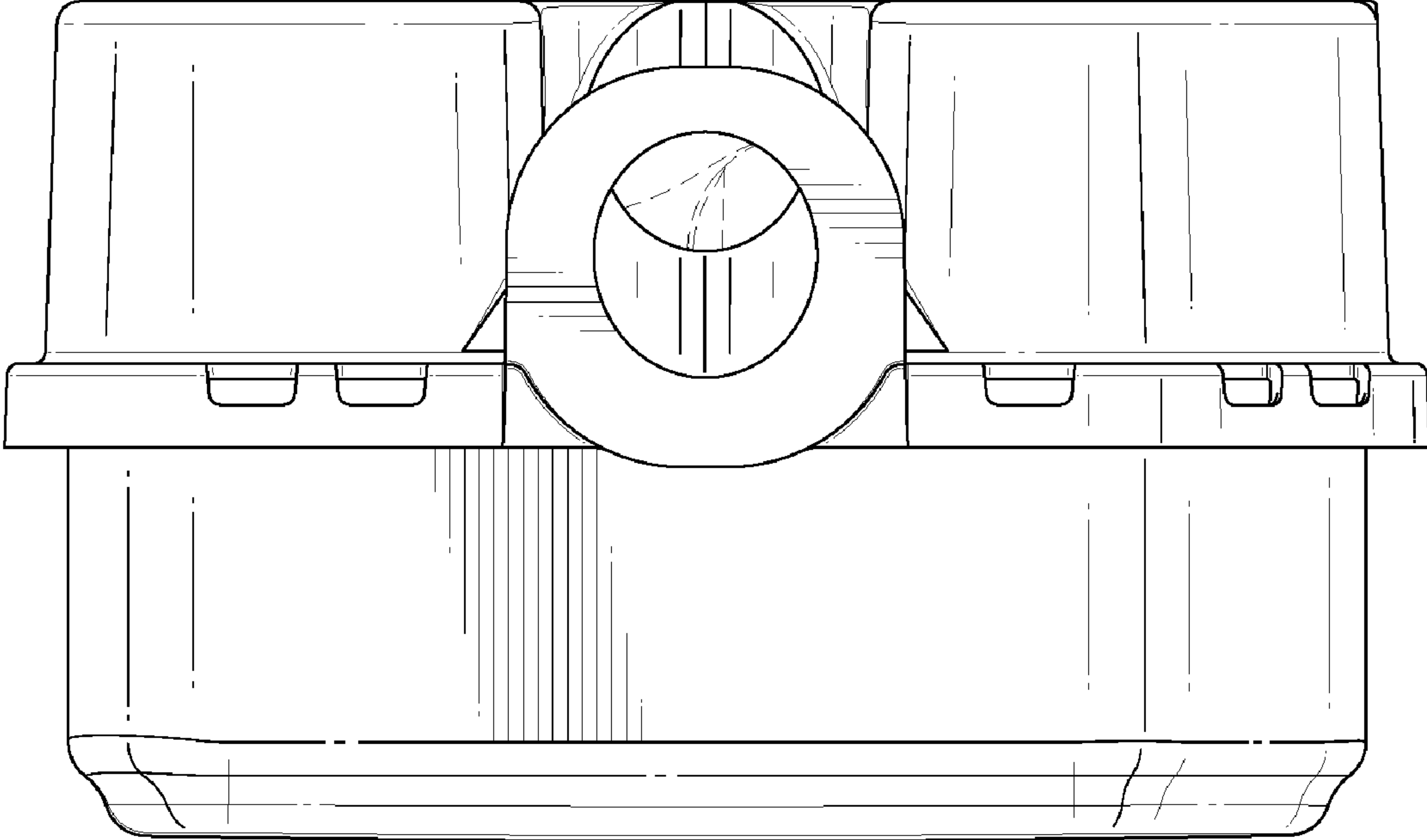


Figure 3

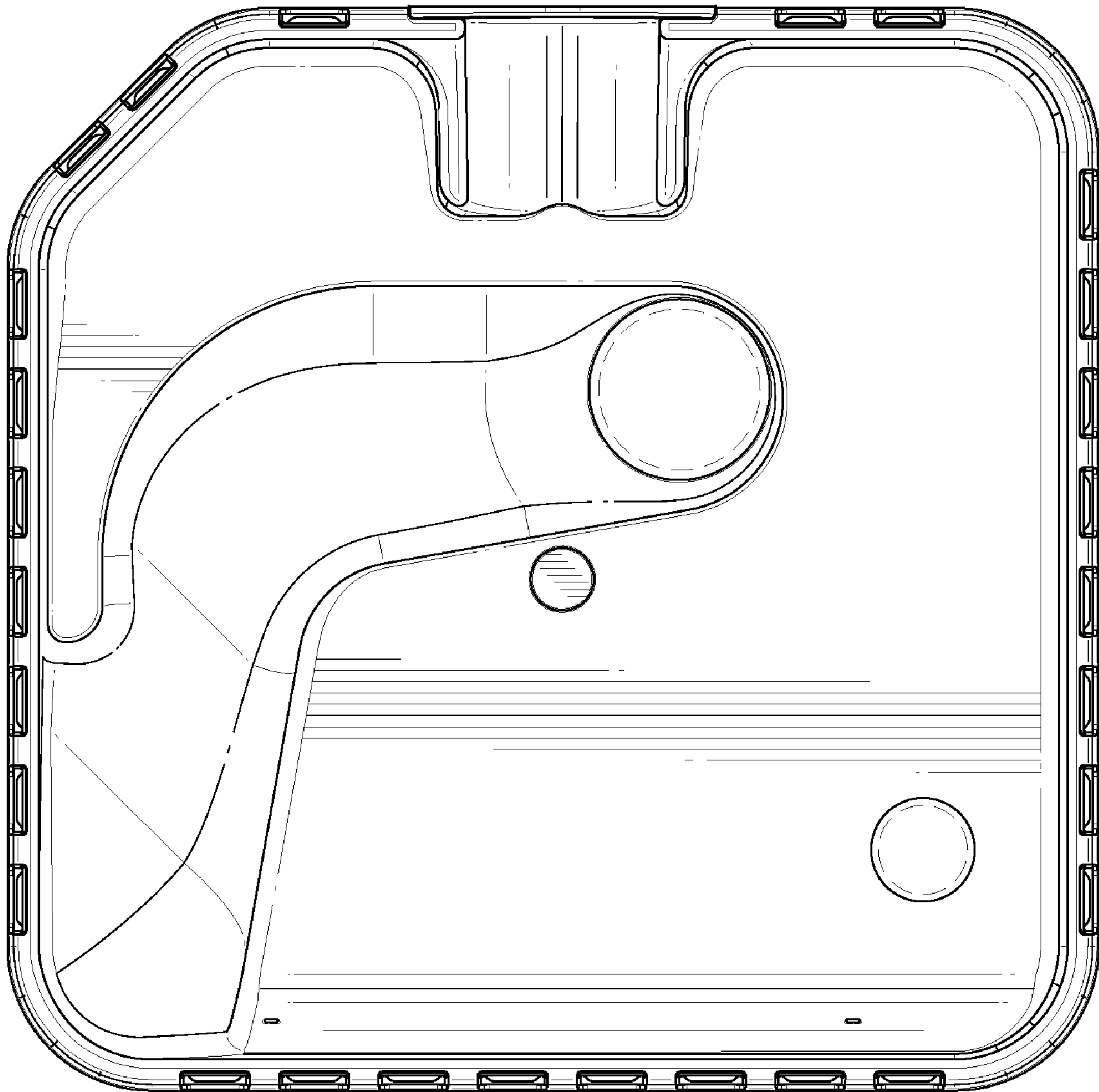


Figure 4

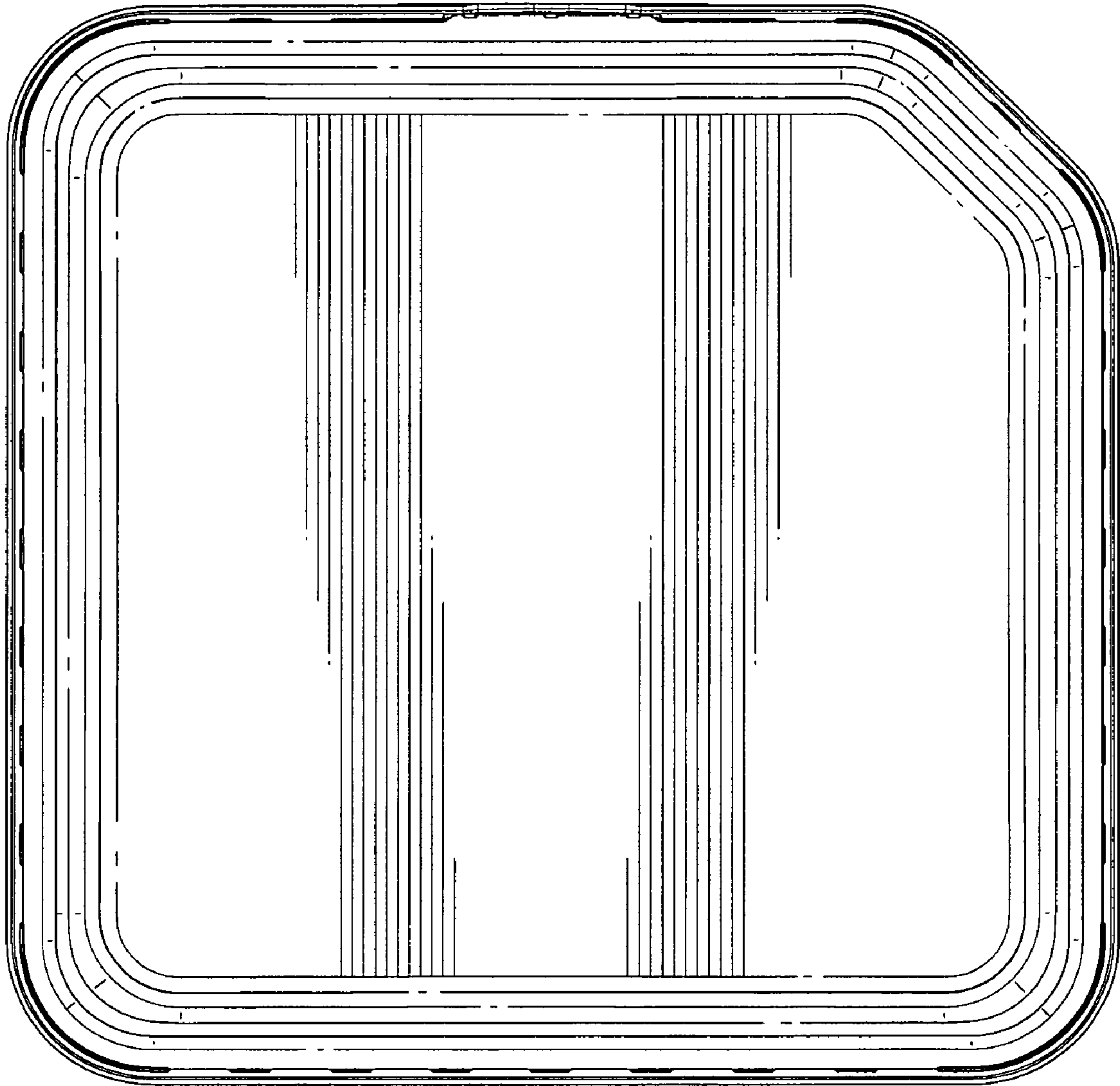


Figure 5

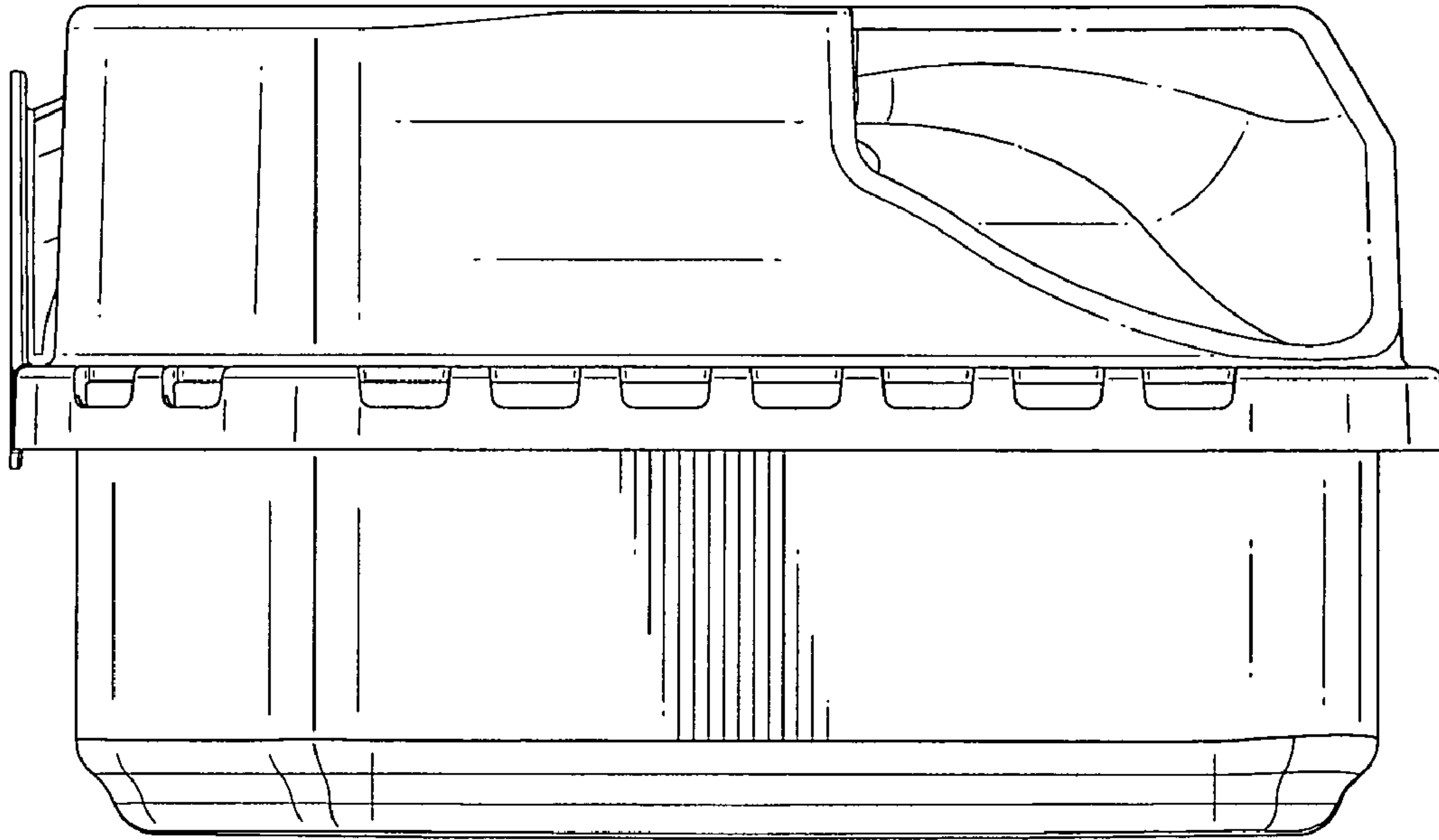


Figure 6

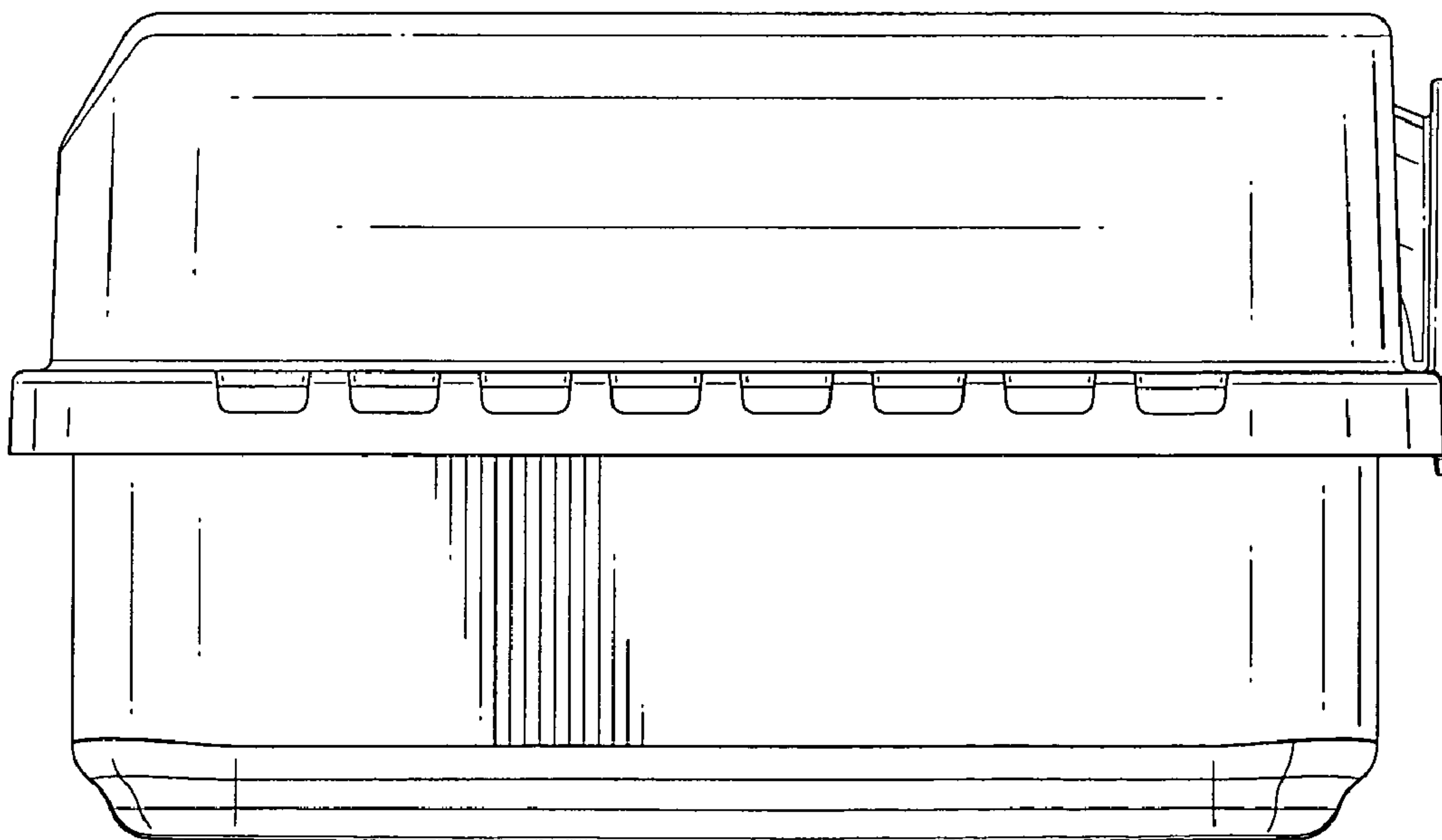


Figure 7