



US00D627043S

(12) **United States Design Patent**
Tanaka et al.

(10) **Patent No.:** **US D627,043 S**

(45) **Date of Patent:** **** Nov. 9, 2010**

(54) **AIR CONDITIONER**

(75) Inventors: **Yuki Tanaka**, Chiyoda-ku (JP); **Shinji Yamana**, Chiyoda-ku (JP)

(73) Assignee: **Mitsubishi Electric Corporation**, Tokyo (JP)

(**) Term: **14 Years**

(21) Appl. No.: **29/346,678**

(22) Filed: **Nov. 4, 2009**

(30) **Foreign Application Priority Data**

May 8, 2009 (JP) 2009-010355

(51) **LOC (9) Cl.** **23-04**

(52) **U.S. Cl.** **D23/351**

(58) **Field of Classification Search** D23/351-354, D23/385, 355, 357, 361; 312/236; 62/259.1, 62/259.4, 262-263, 304; 454/330-331, 349-350
See application file for complete search history.

(56) **References Cited**

U.S. PATENT DOCUMENTS

- D380,532 S * 7/1997 Aihara et al. D23/351
- D401,313 S * 11/1998 Murakami et al. D23/351
- D469,173 S * 1/2003 Shimizu et al. D23/351
- D529,594 S * 10/2006 Pruitt D23/351
- D565,712 S * 4/2008 Nagahori et al. D23/351

D593,664 S * 6/2009 Chouji et al. D23/351

* cited by examiner

Primary Examiner—Brian N Vinson

(74) *Attorney, Agent, or Firm*—Sughrue Mion, PLLC

(57) **CLAIM**

The ornamental design for an air conditioner, as shown and described.

DESCRIPTION

FIG. 1 is a front, top and right side perspective view of an air conditioner, showing our new design;

FIG. 2 is a front elevational view thereof;

FIG. 3 is a rear elevational view thereof;

FIG. 4 is a top plan view thereof;

FIG. 5 is a bottom plan view thereof;

FIG. 6 is a left side elevational view thereof;

FIG. 7 is a right side elevational view thereof;

FIG. 8 is an enlarged vertical cross-sectional view thereof; taken in the direction of line 8—8 of FIG. 2, the broken line disclosure of internal elements being understood to be part of the article in which the claimed design is embodied, but which form no part of the claimed design; and,

FIG. 9 is a right side elevational view thereof, with the fragmentary broken line disclosure of a ceiling for illustrative purposes only and forming no part of the claimed design.

1 Claim, 4 Drawing Sheets

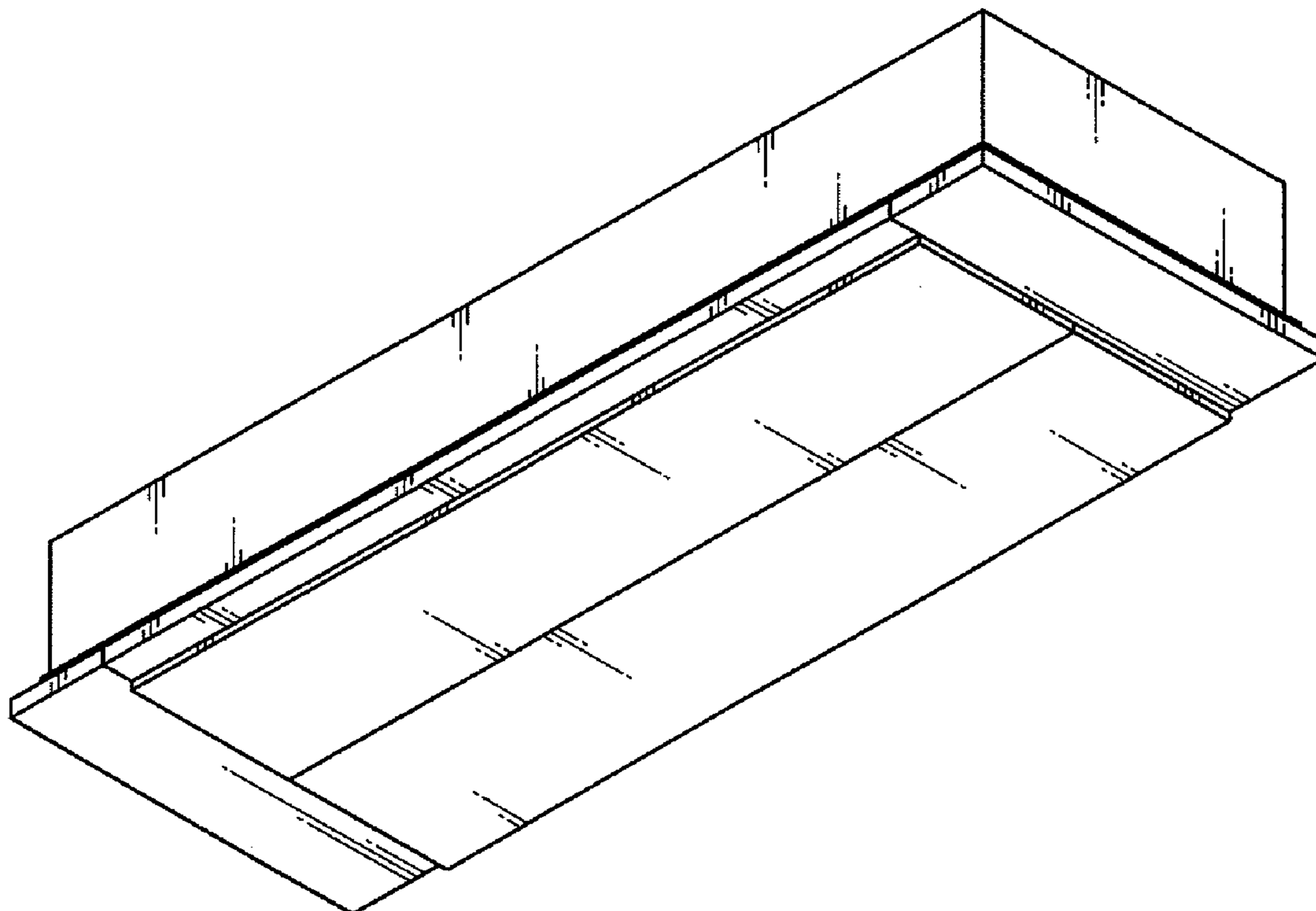


FIG. 1

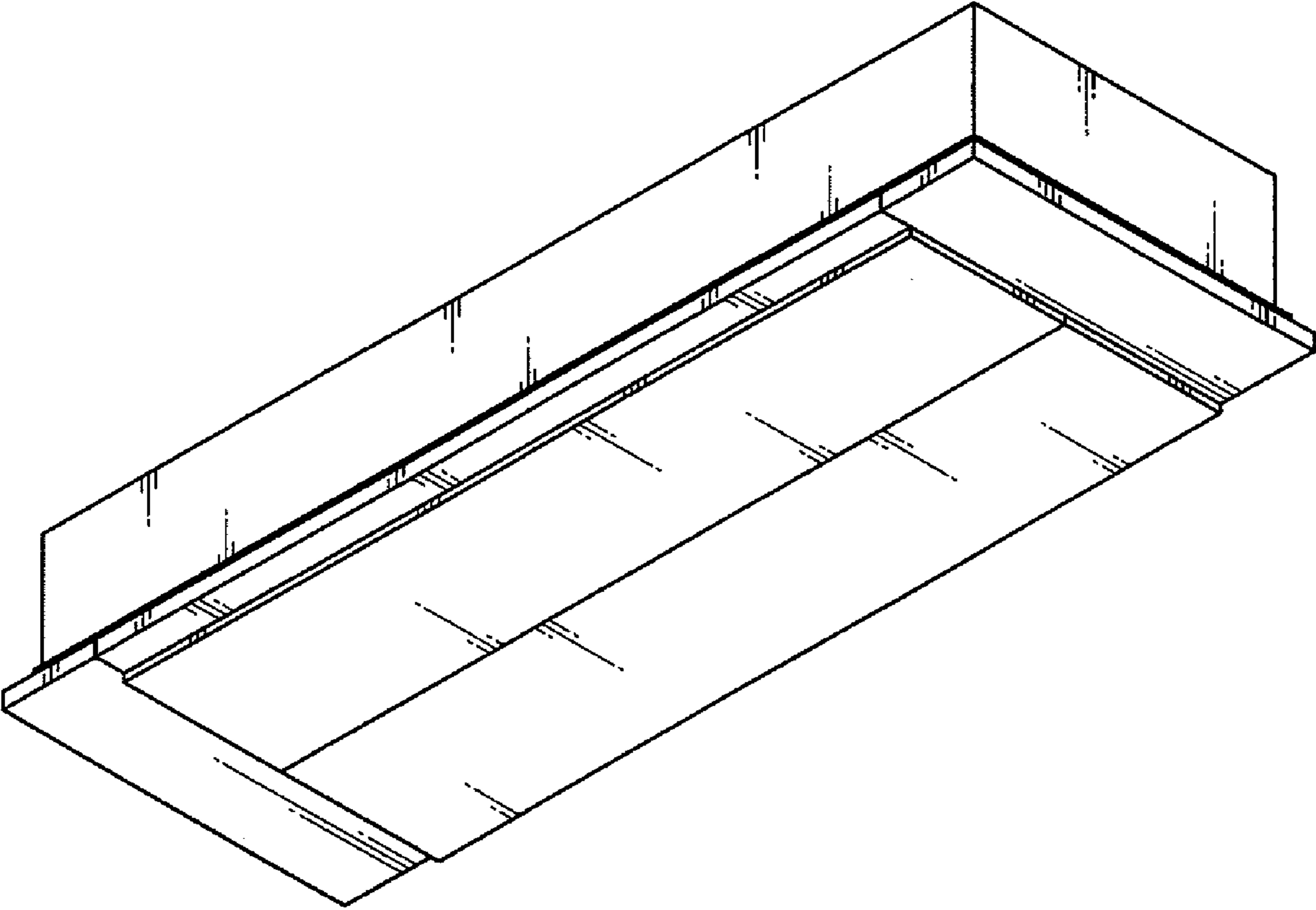
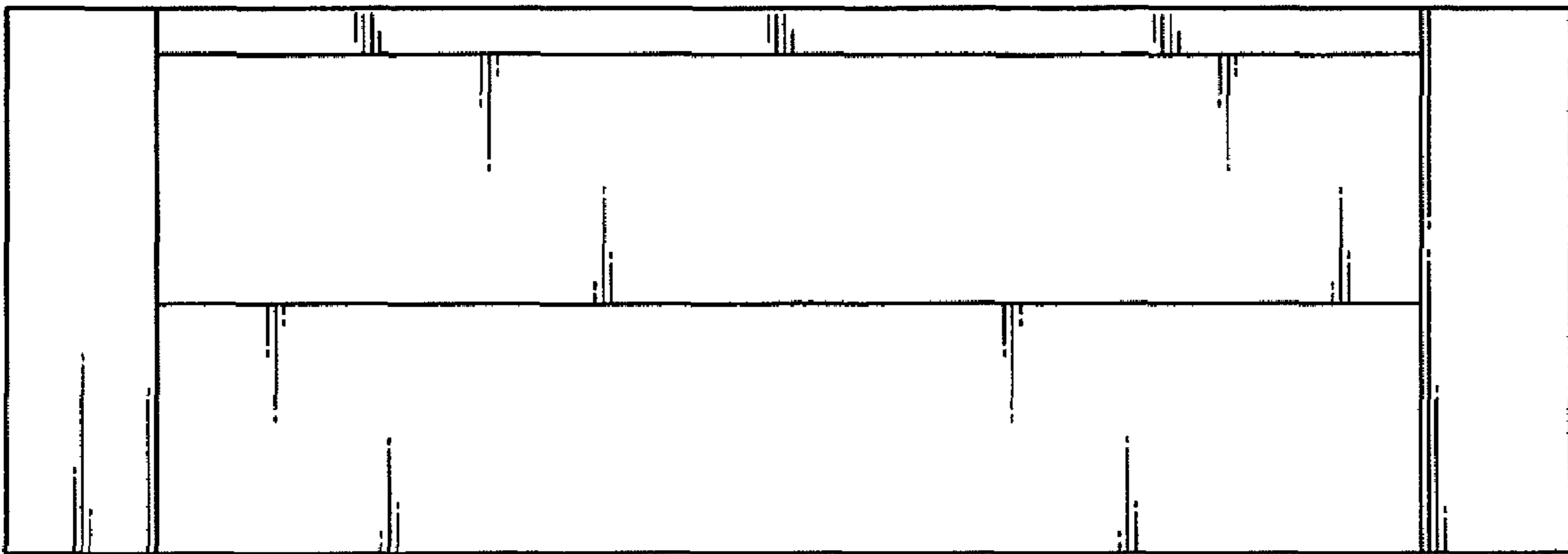


FIG.2

8 ↖



8 ↖

FIG.3

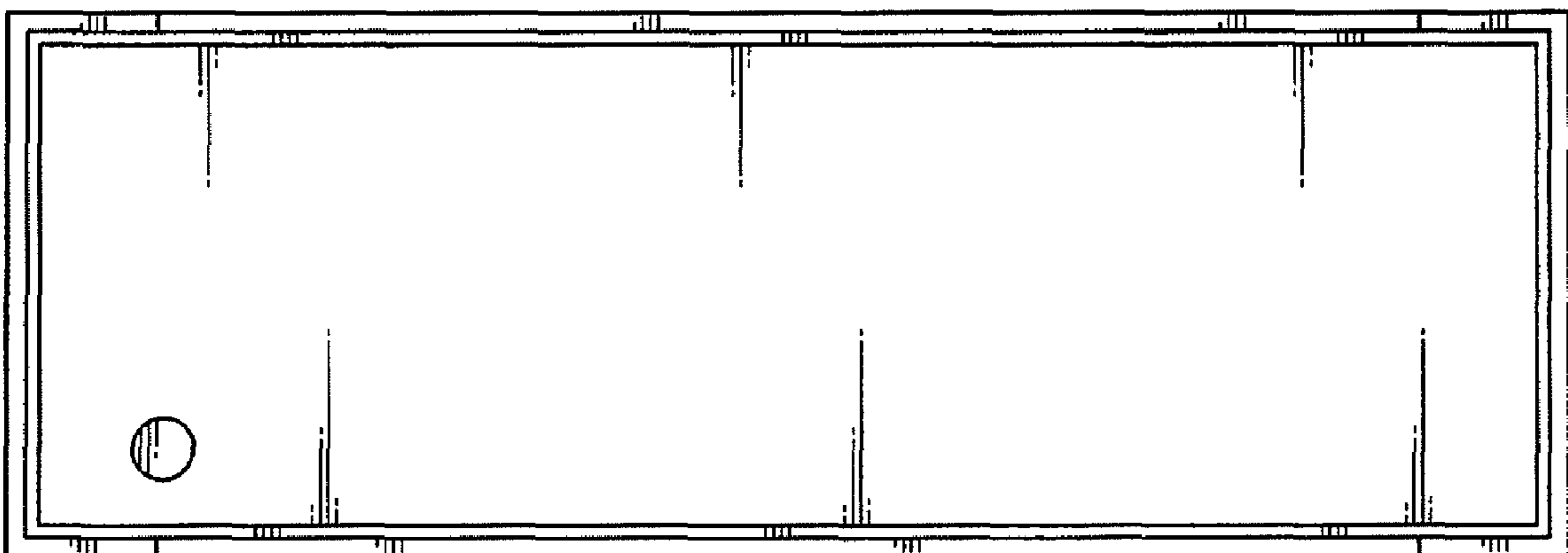


FIG.4

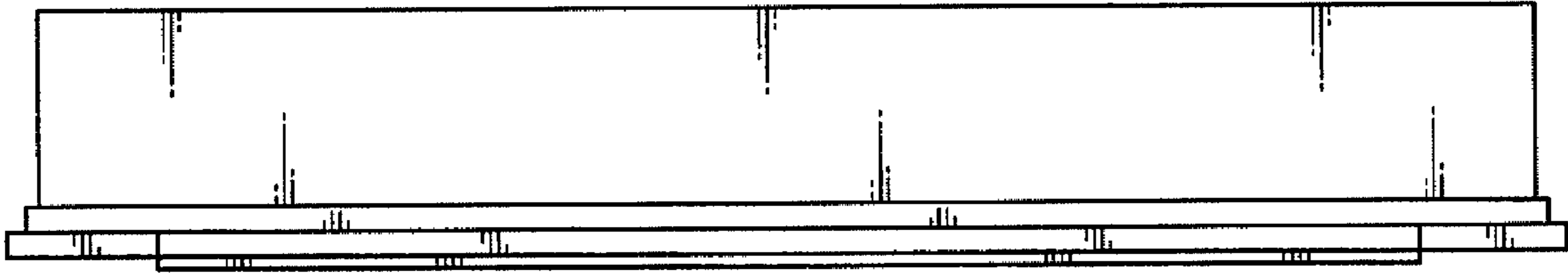


FIG.5



FIG.6

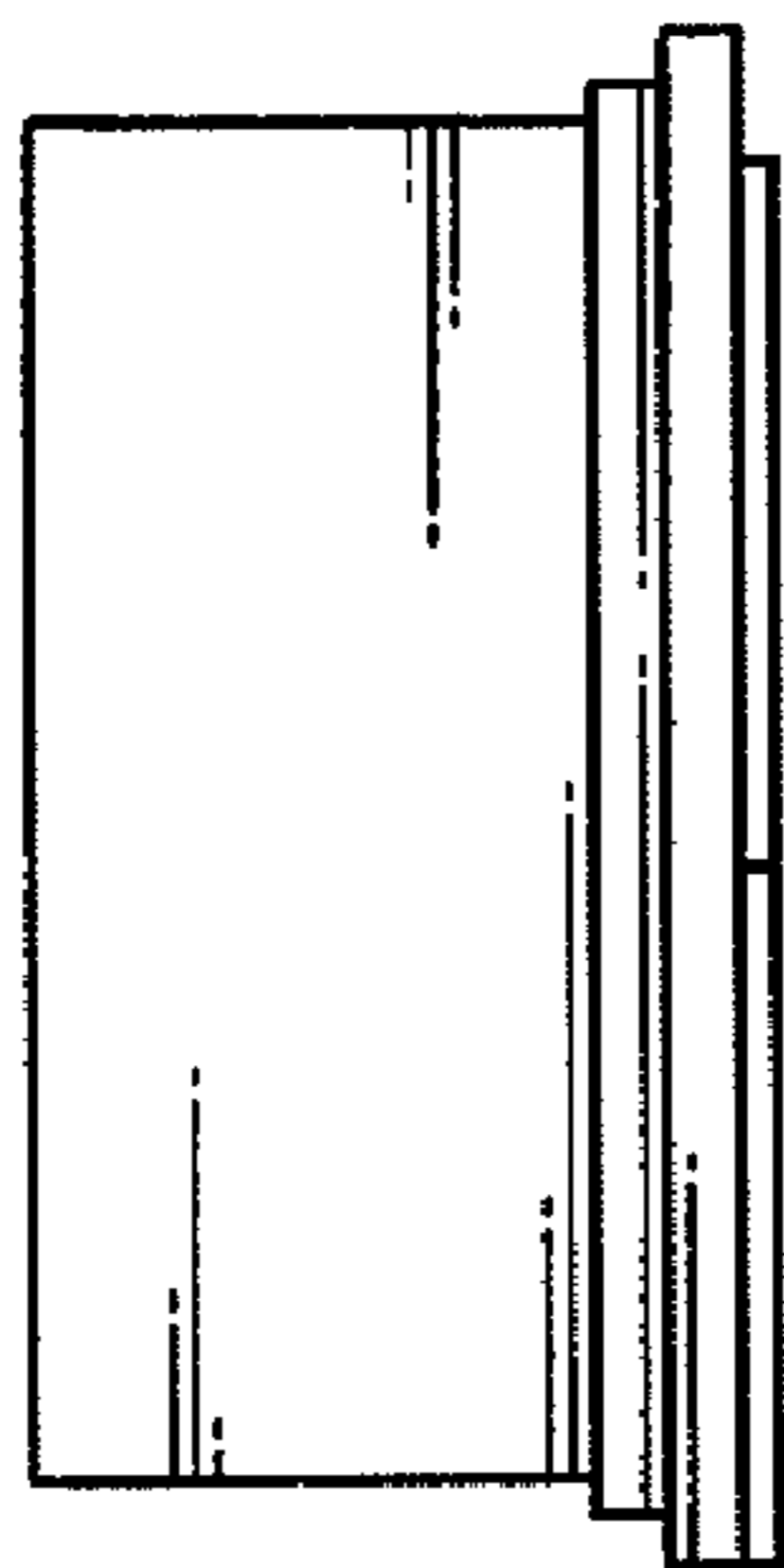


FIG.7

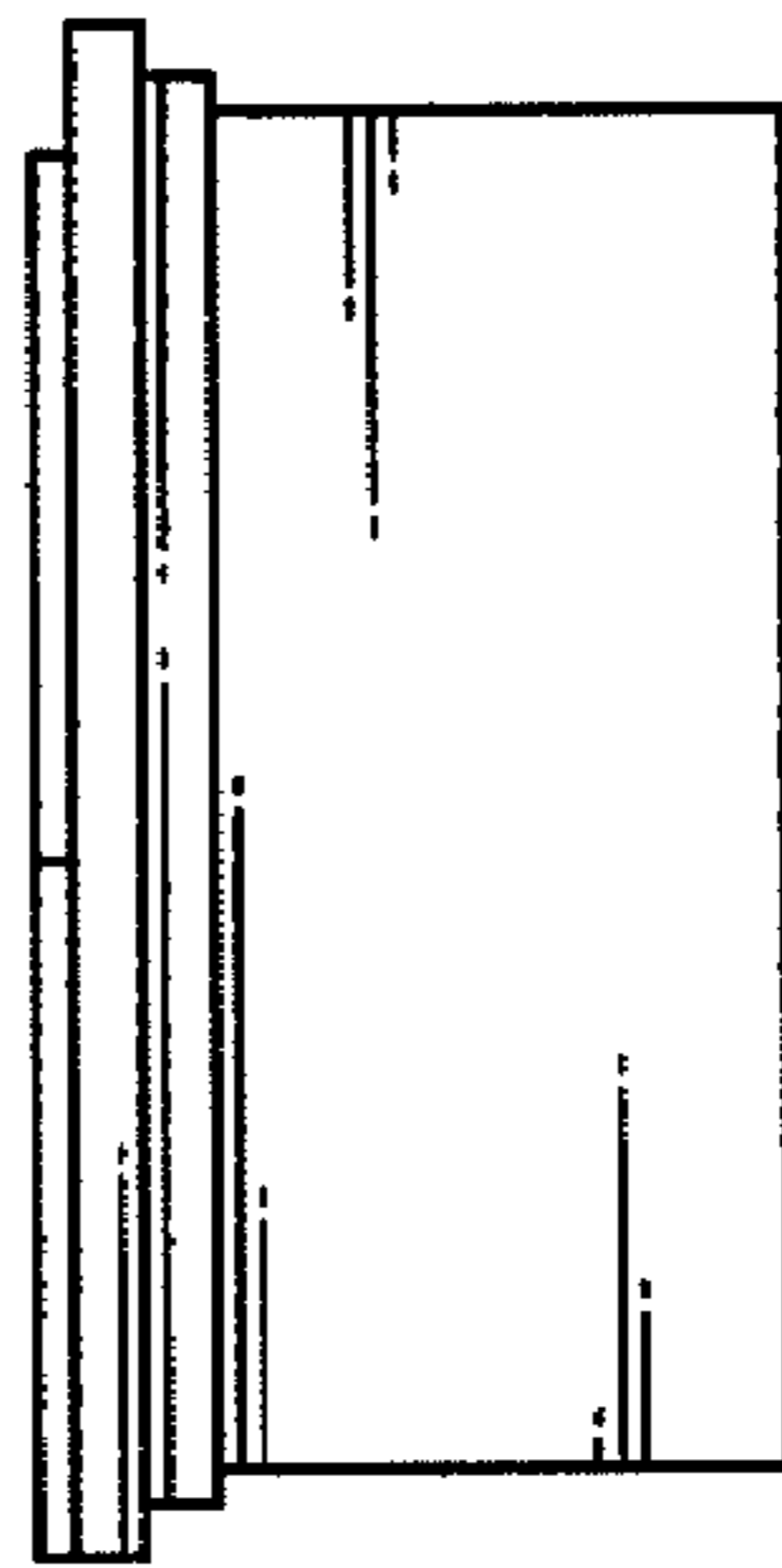


FIG.8

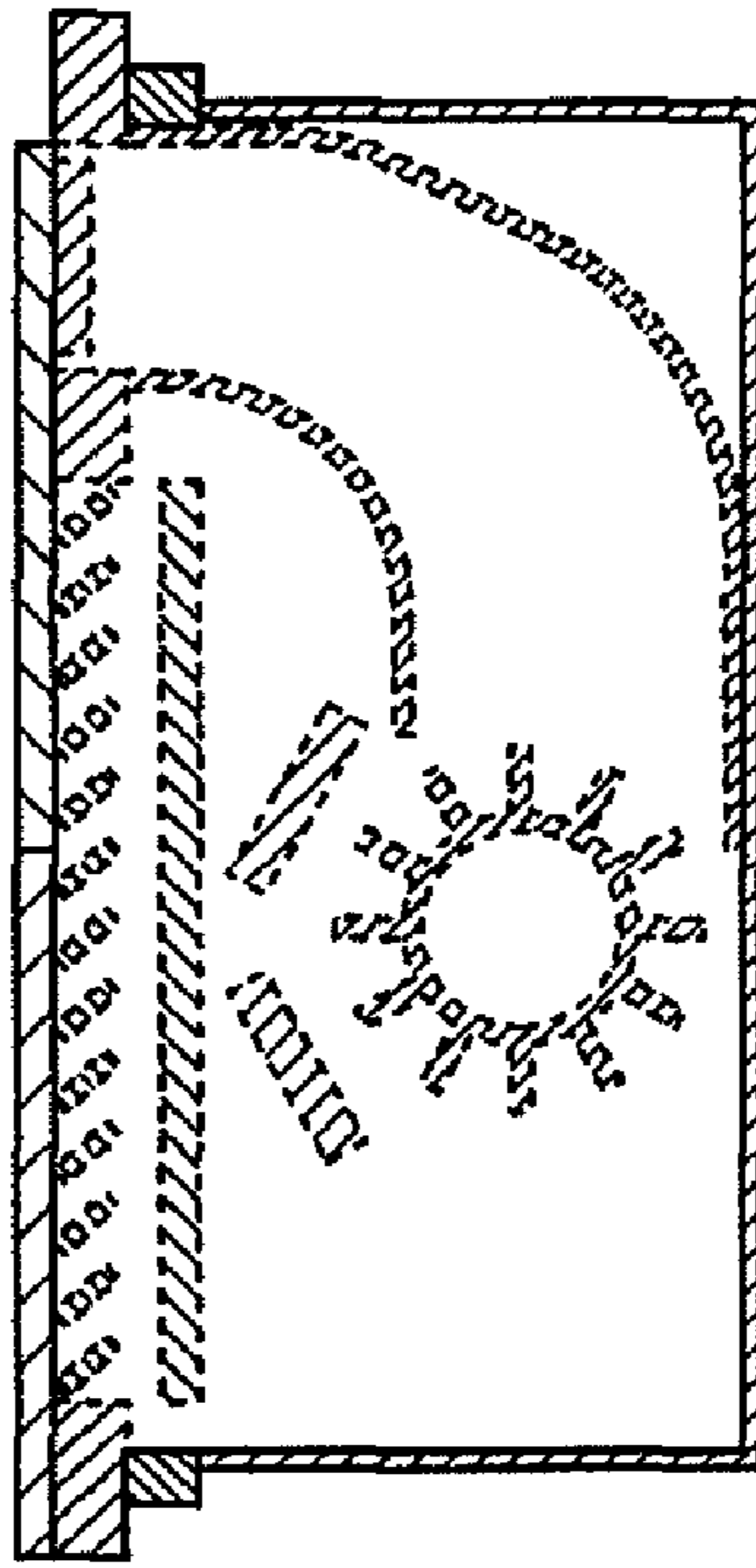


FIG.9

